

DRESSER-WF315533/34

Assembly Instructions - Please keep for future reference



DIMENSIONS

width - 55.12inch
Depth - 15.75inch
Height - 37.21inch

Important - Please read these instructions fully before starting assembly

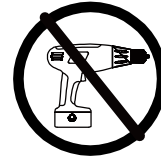


Safety and Care Advice

Important – Please read these instructions fully before starting assembly

- Check you have all the components and tools listed on the following pages.
- Remove all fittings from the plastic bags and separate them into their groups.
- Keep children and animals away from the work area, small parts could choke if swallowed.
- Make sure you have enough space to layout the parts before starting.

- During assembly do not stand or put weight on the product, this could cause damage.
- Assemble the item as close to its final position (in the same room) as possible.
- Assemble on a soft level surface to avoid damaging the unit or your floor.
- Parts of the assembly will be easier with 2 people.



power drill is set on a low torque setting.

- To reduce the likelihood of damaging your product please ensure that your

Care and maintenance

•Only clean using a damp cloth and mild detergent, do not use bleach or abrasive cleaners.

•From time to time check that there are no loose screws on this unit.

•This product should not be discarded with household waste. Take to your local authority waste disposal centre.

Handy Hints

•Assemble all parts and bolts loosely during assembly, only once the product is complete should you fully tighten the bolts

•Regularly check and ensure That all bolts and fittings are tightend properly.

WARNING In order to help prevent overturning – please follow these instructions

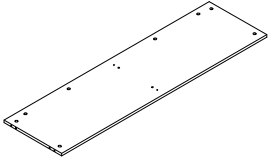
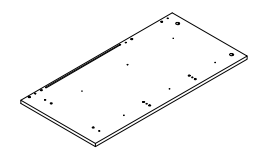
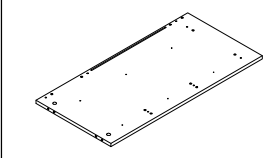
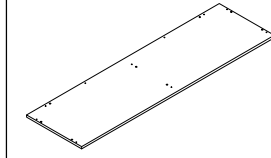
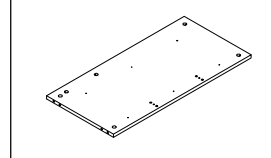
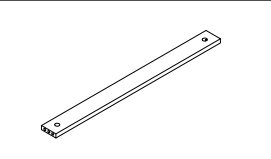
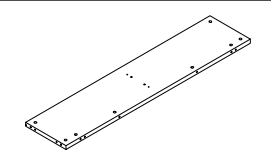
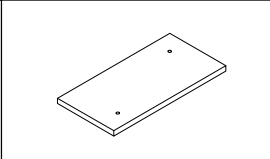
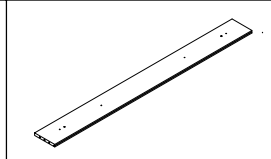
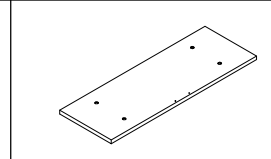
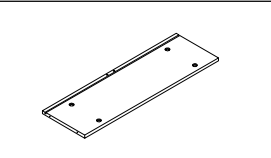
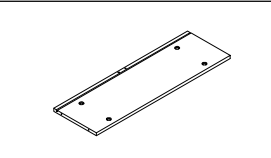
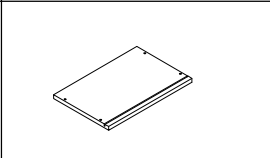
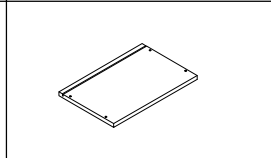
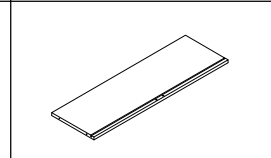
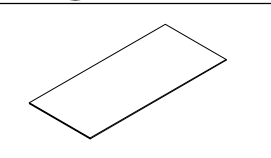
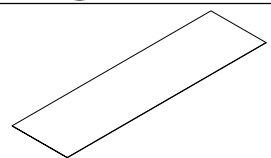
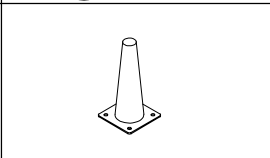
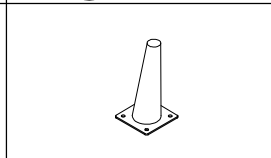
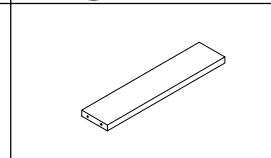
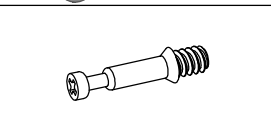

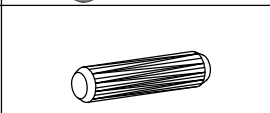
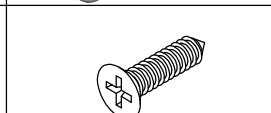
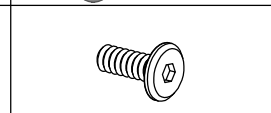
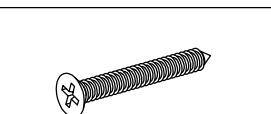
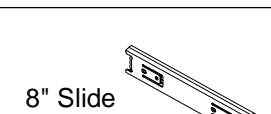
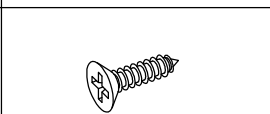
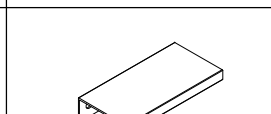
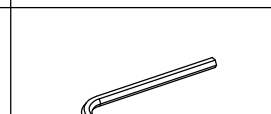
To help prevent product toppling over please follow the below steps:-

- Use the anti tip stap or wall fixing method provided (if applicable)
- Do not allow children to climb or hang on the furniture
- Do not open more than one drawer at a time
- Do not place heavy items in the top drawers
- Do not place heavy items on top of the furniture, unless the furniture has been designed for this purpose

Components - Fittings

Please check you have all the panels listed below

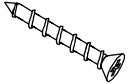
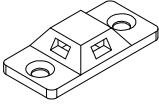
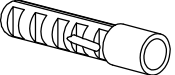

Note: The quantities below are the correct amount to complete the assembly. In some cases more fittings may be supplied than are required.

				
1 x 1 PC	2 x 1 PC	3 x 1 PC	4 x 1 PC	5 x 1 PC
				
6 x 4 PC	7 x 1 PC	8 x 4 PCS	9 x 1 PC	10 x 6 PCS
				
11 x 3 PCS	12 x 3 PCS	13 x 6 PCS	14 x 6 PCS	15 x 6 PCS
				
16 x 6 PCS	17 x 1 PCS	18 x 1 PCS	19 x 4 PCS	20 x 6 PCS
				
M6 x 35 mm	Ø15 x 12mm	Ø8 x 30mm	Ø4 x 14mm	M6 x 20 mm
A x 36 PCS	B x 36 PCS	C x 40 PCS	D x 24 PCS	E x 24 PCS
				
Ø4 x 25mm	8" Slide 200mm	Ø3.5 x 12mm	I x 6 PCS	M4
F x 72 PCS	G x 12 PCS	H x 60 PCS	I x 6 PCS	J x 4 PCS

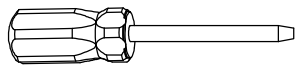
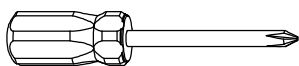
Components - Fittings

Please check you have all the panels listed below

Note: The quantities below are the correct amount to complete the assembly. In some cases more fittings may be supplied than are required.

 Ø4 x 35mm				
N x 12 PCS	O x 4 PCS	P x 4 PCS	Q x 2 PCS	

Tools required (Not included)



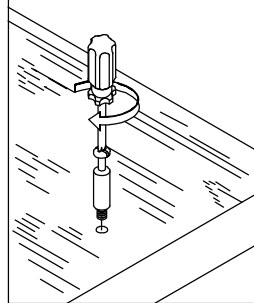
Using Camlocks

Step 1

Connect the male camlock as directed in the assembly instructions using a screwdriver.

1

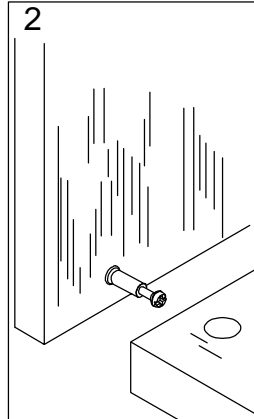
DO NOT OVER TIGHTEN.
NE PAS SERRER EXCESSIVEMENT.



Step 2

Push the male camlock into the entry hole.

2

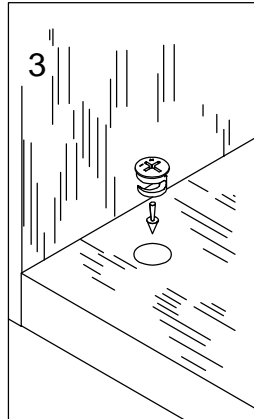


Step 3

Insert the female camlock as shown in the instruction.

Note: ensure that the arrow on the top of the camlock points towards the entry hole for the male camlock .

3



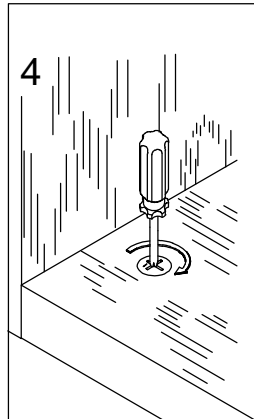
Step 4

Turn the female camlock clockwise with a screwdriver.

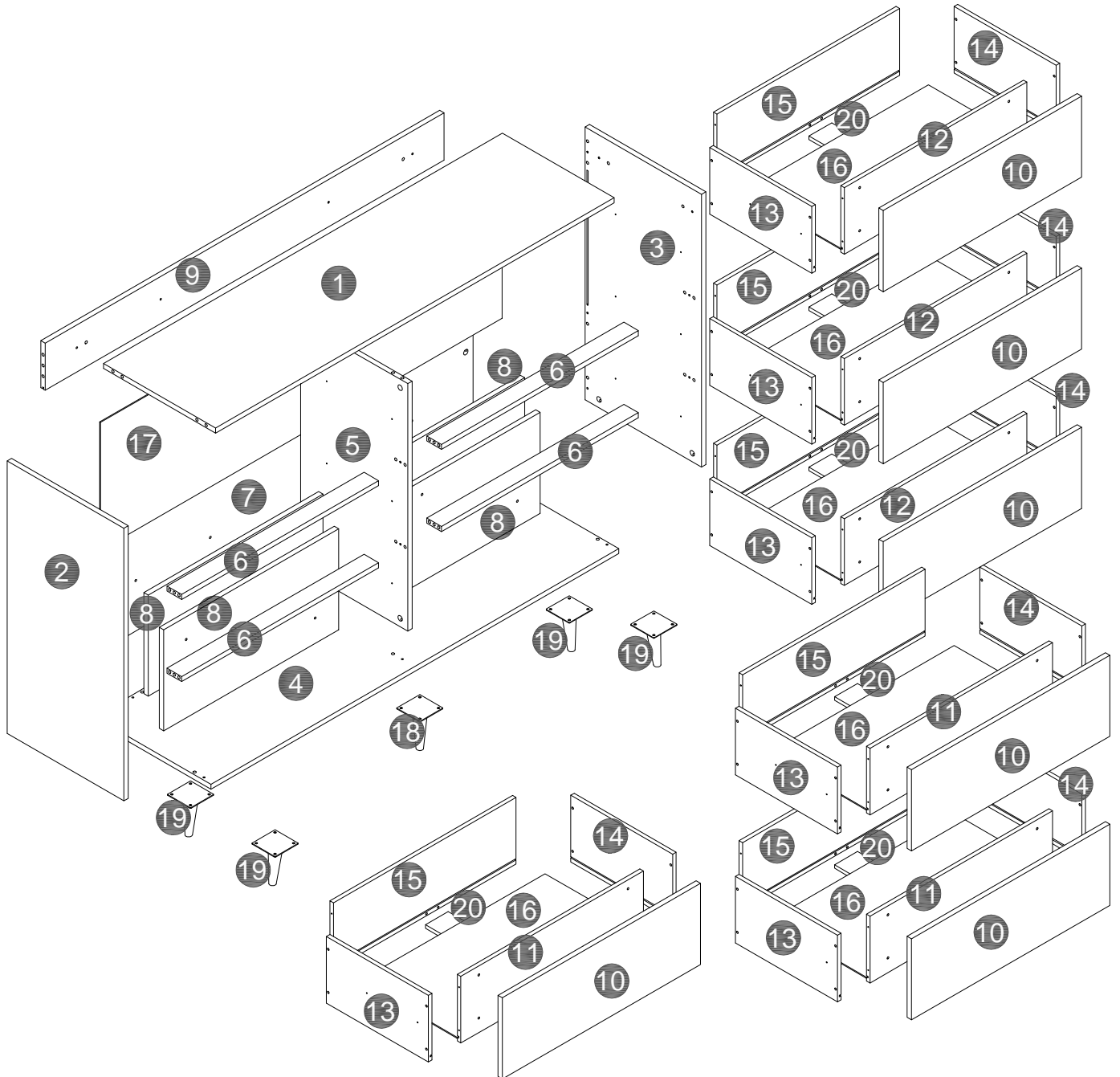
You should feel a click when the camlock is locked in place.

The joint is now secure.

4



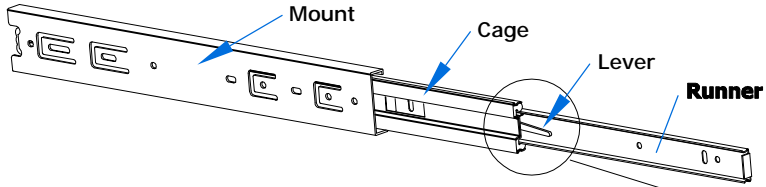
Assembly Instructions



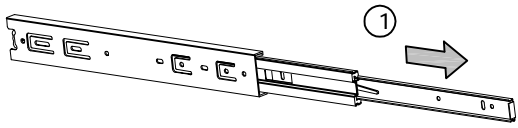
Assembly Instructions

STEP 1

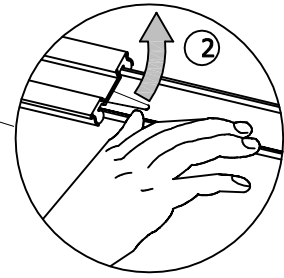
**Slides Must Be Separated Before Assembly.
After Separated, Set Aside Until Needed for Assembly.**



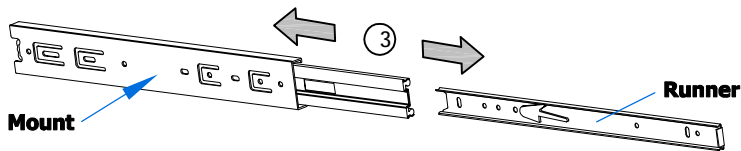
STEP 1: Extend Slide



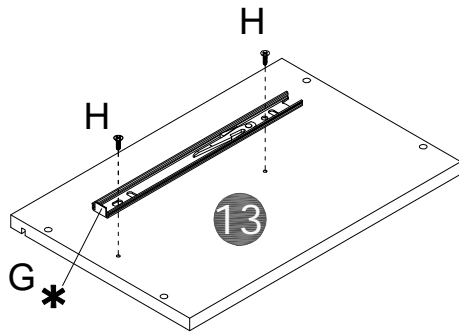
STEP 2: Push Lever UP



STEP 3: Remove Runner

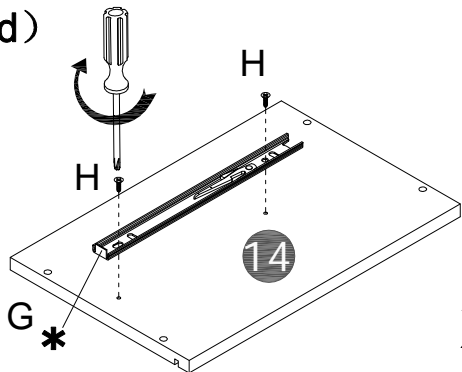


STEP 2



x 6

(Not included)

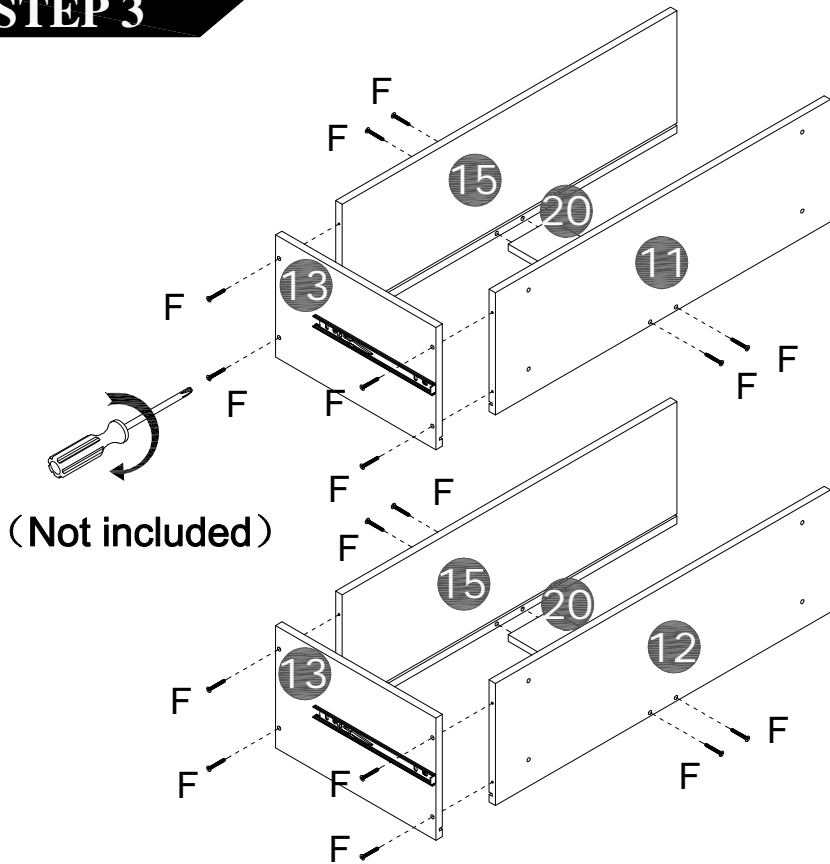


x 6

		Orientation	
G	12	<p>8" Slide Runner *</p>	
H	24	Ø3.5*12MM	

Assembly Instructions

STEP 3

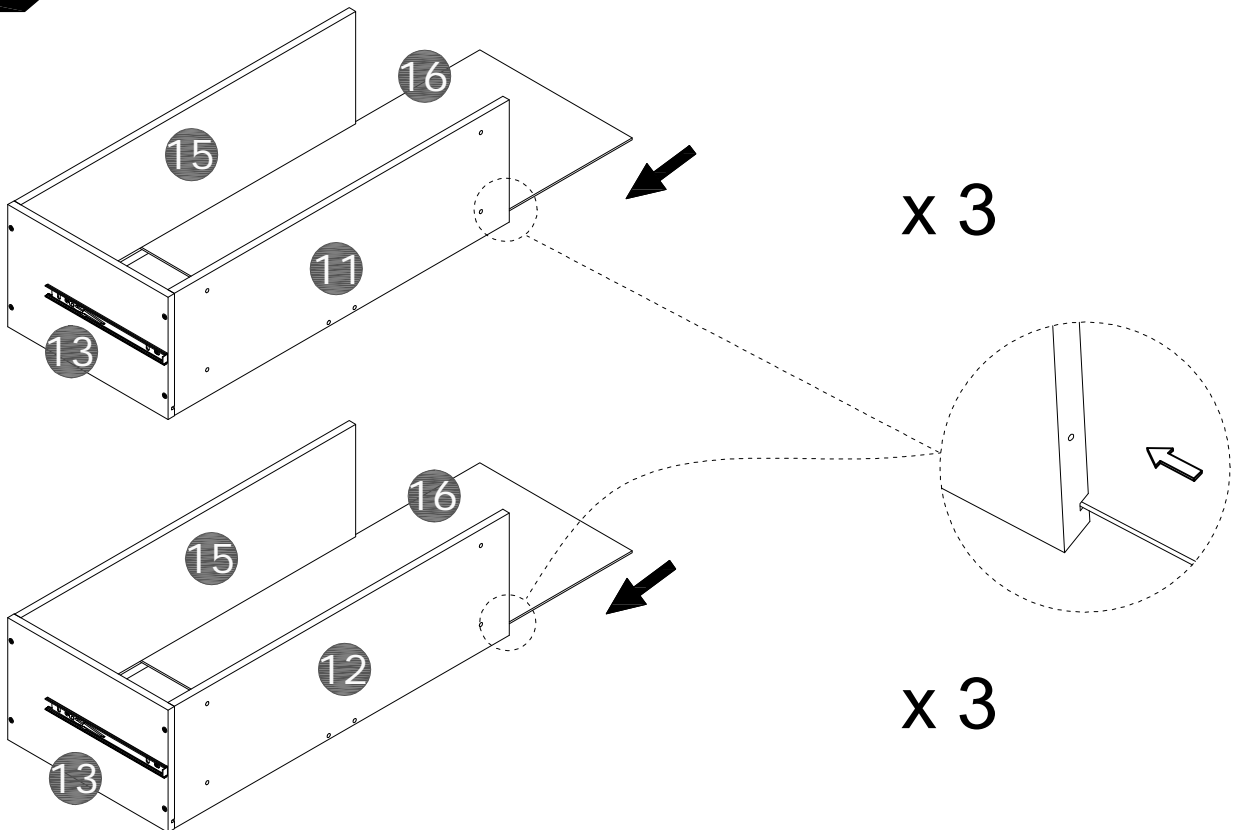


x 3

x 3

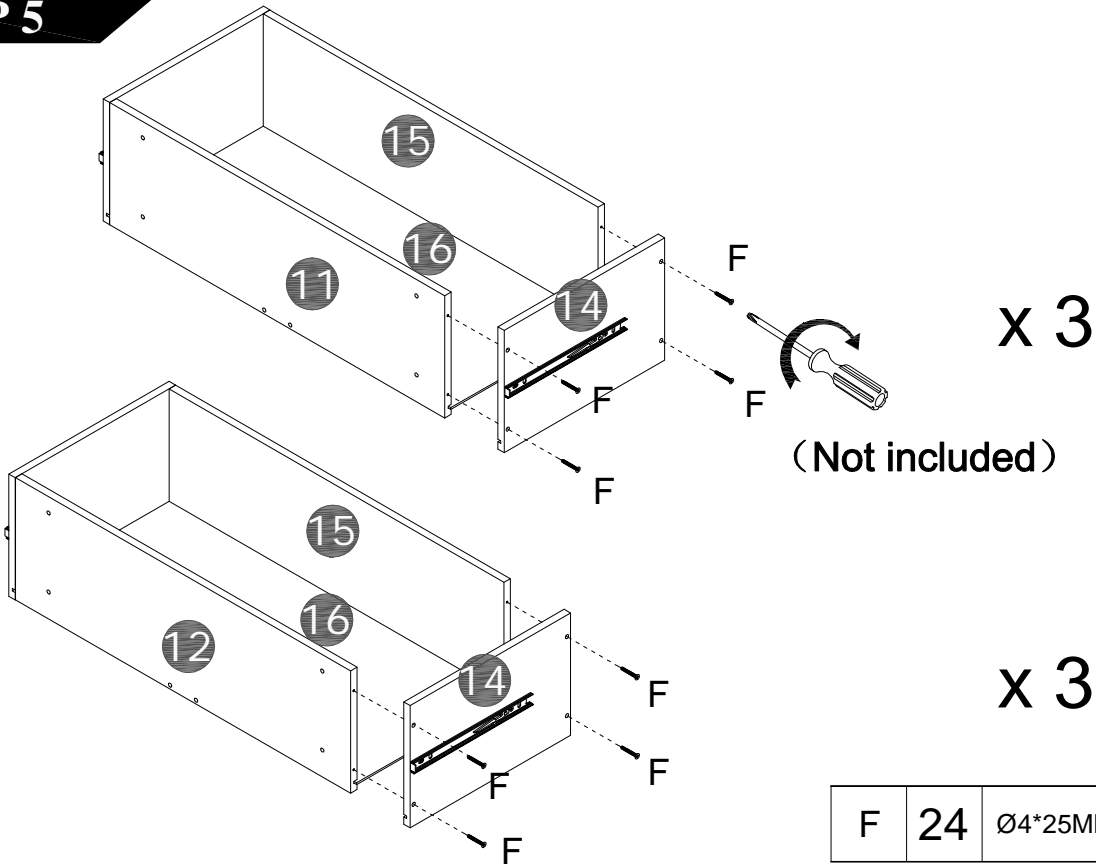
F	48	Ø4*25MM	
---	----	---------	---

STEP 4



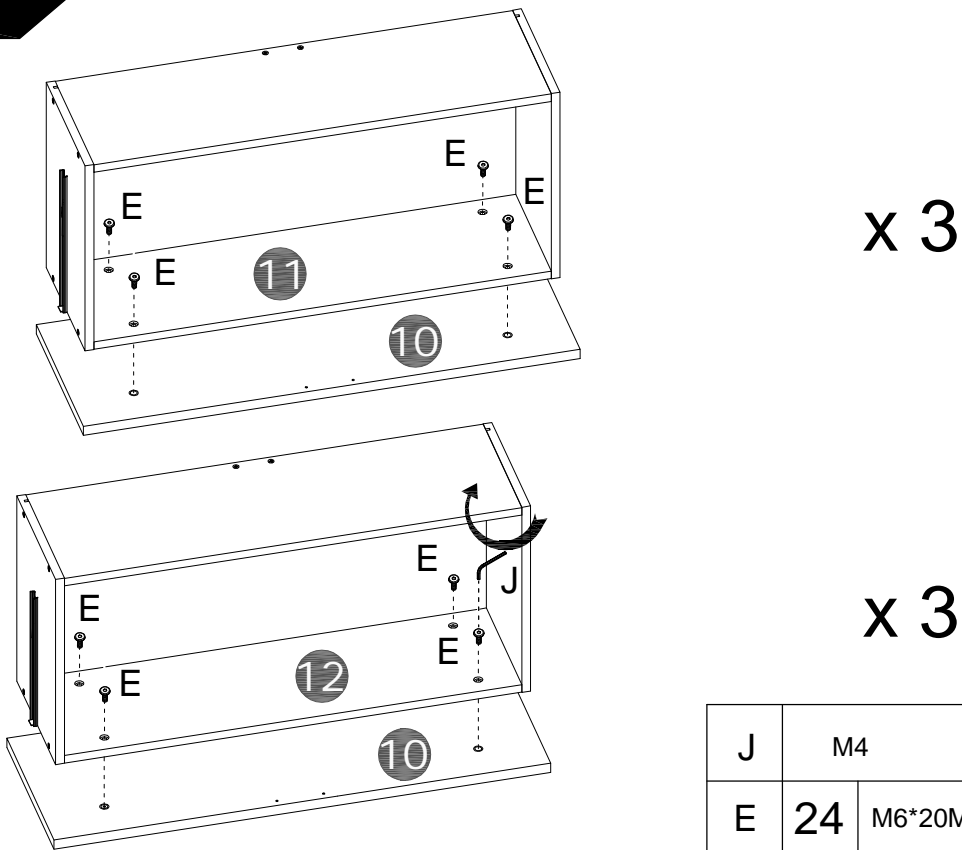
Assembly Instructions

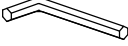
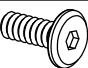
STEP 5



F	24	Ø4*25MM	
---	----	---------	---

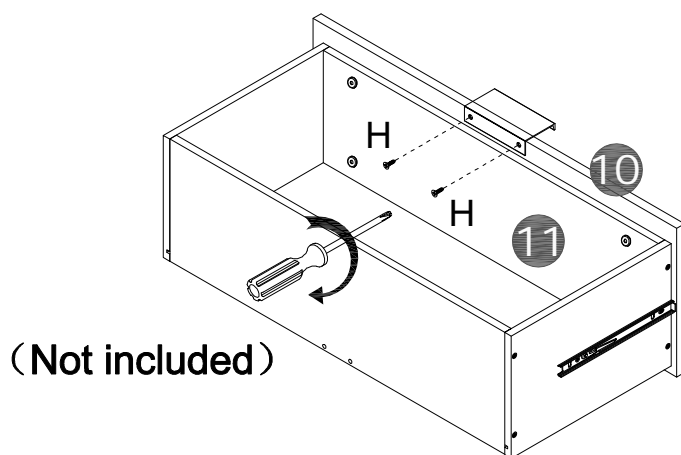
STEP 6



J	M4	
E	24	M6*20MM 

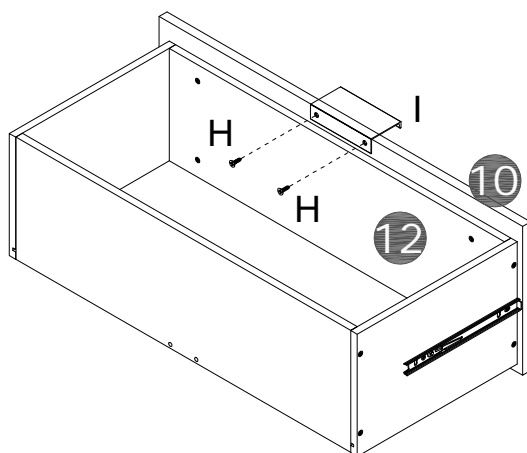
Assembly Instructions

STEP 7

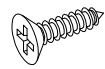
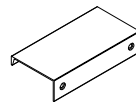


(Not included)

x 3

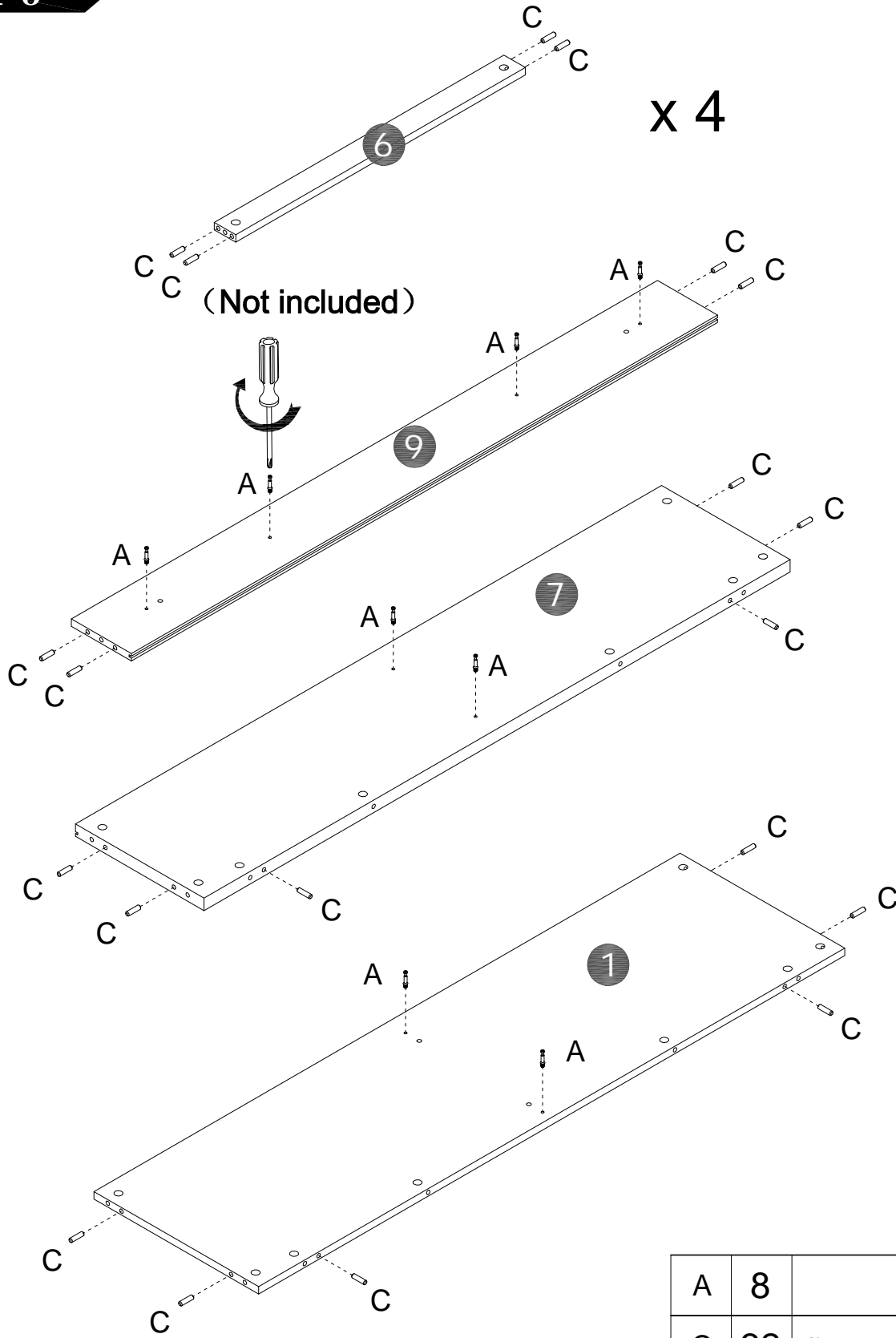


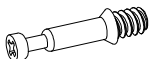

x 3

H	12	Ø3.5*12MM	
I	6		

Assembly Instructions

STEP 8



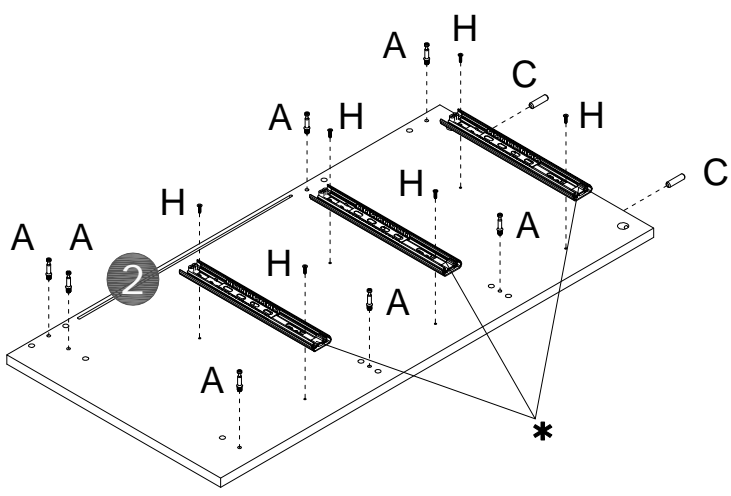
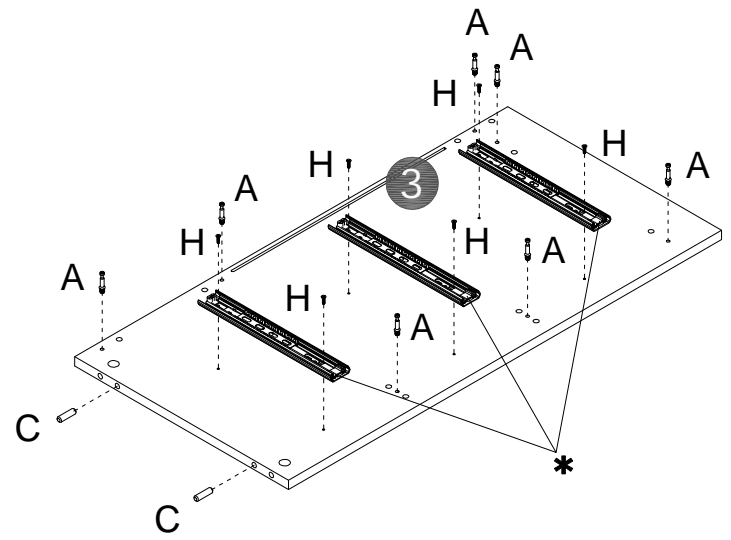
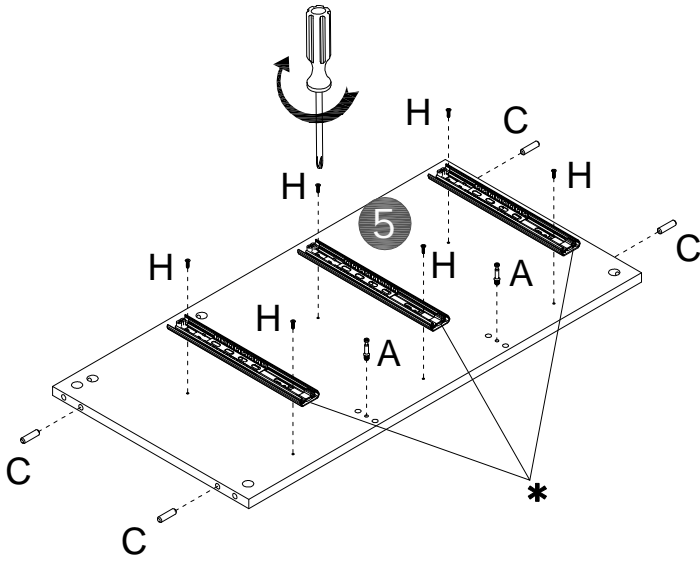
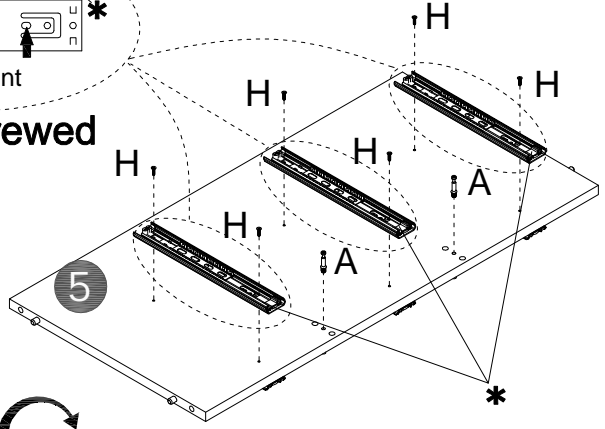
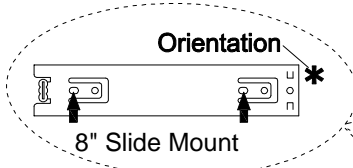
A	8		
C	32	Ø8*30MM	

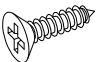
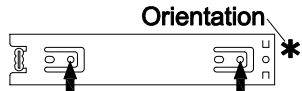
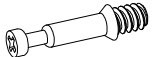

Assembly Instructions

STEP 9

The three slide rails are screwed into the two holes shown.

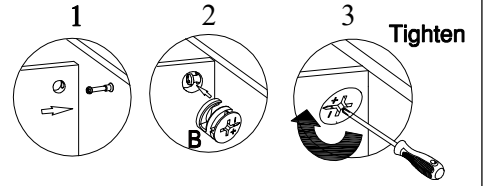
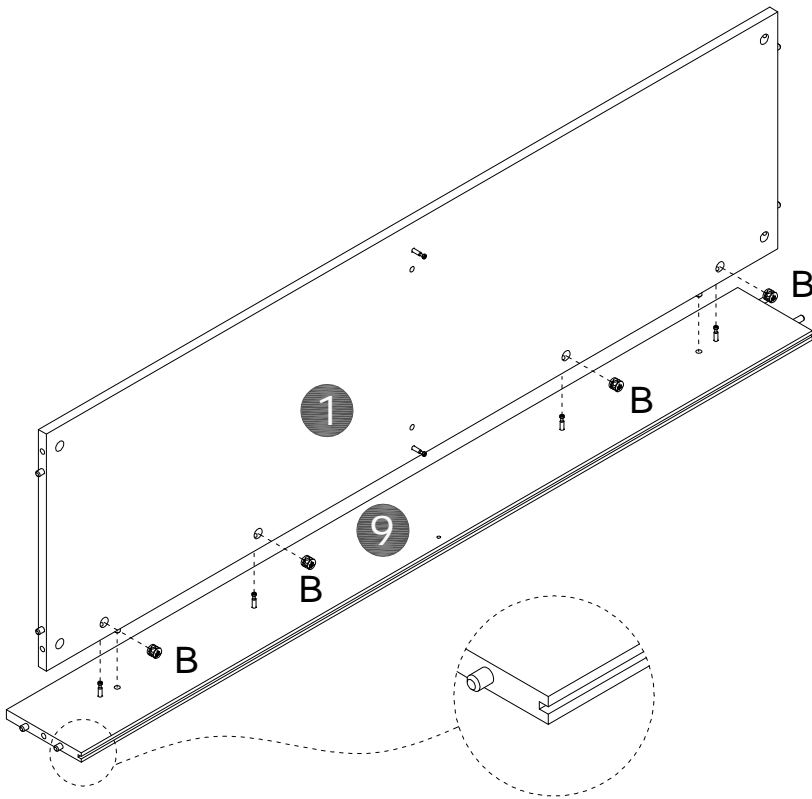
(Not included)



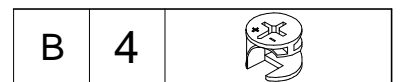
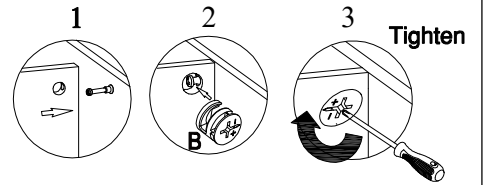
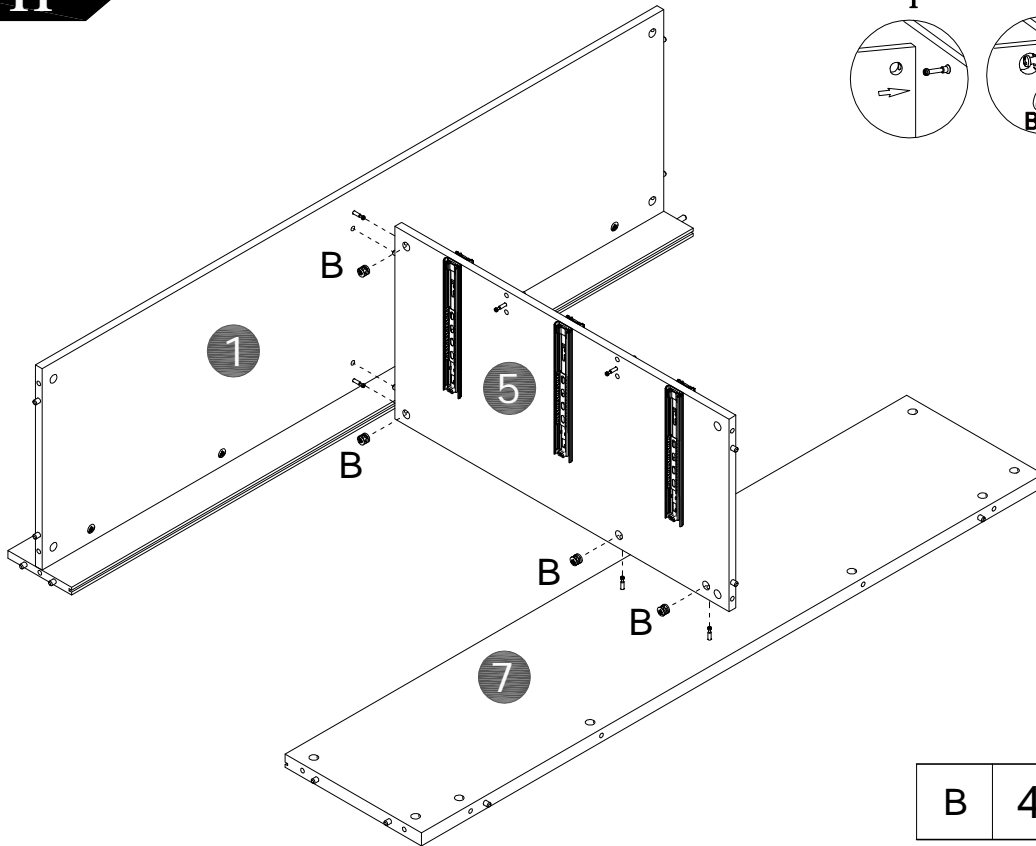
H	24	Ø3.5*12MM	
G	12	 Orientation 8" Slide Mount	
A	18		
C	8	Ø8*30MM	

Assembly Instructions

STEP 10

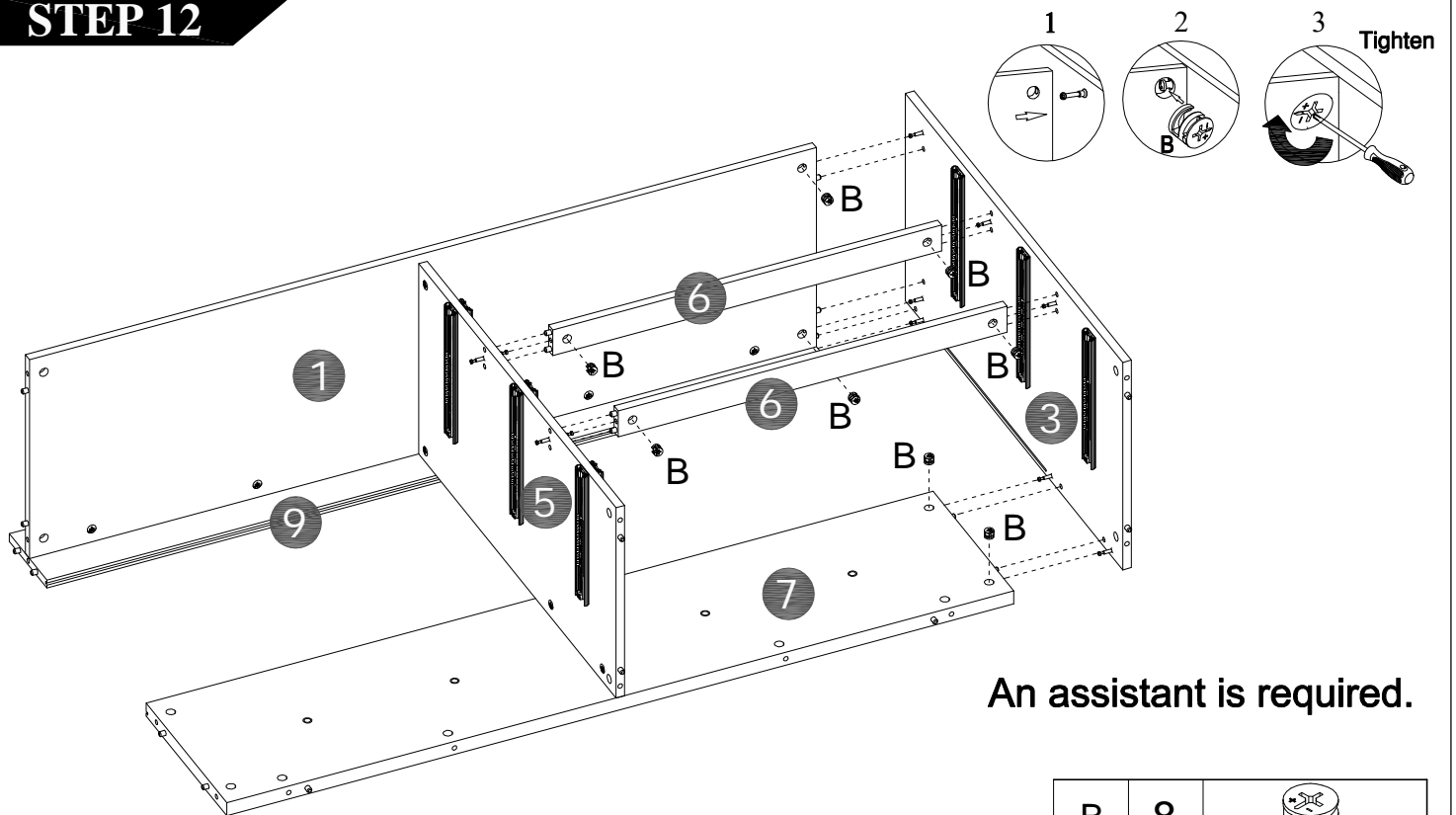


STEP 11



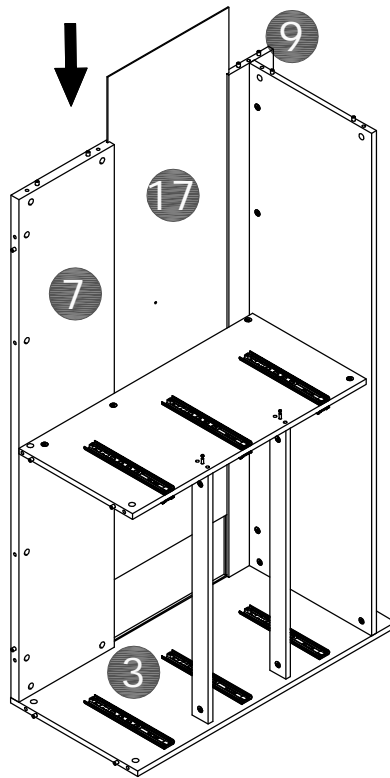
Assembly Instructions

STEP 12



STEP 13

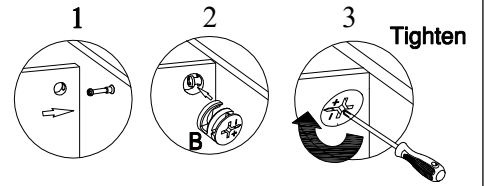
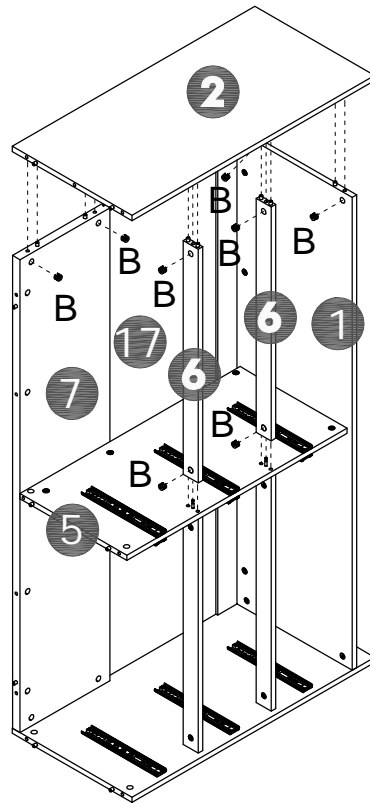
An assistant is required.



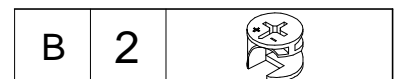
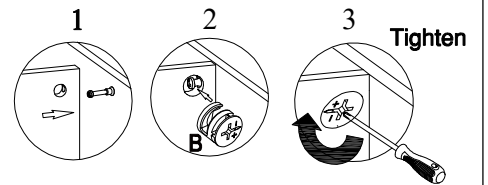
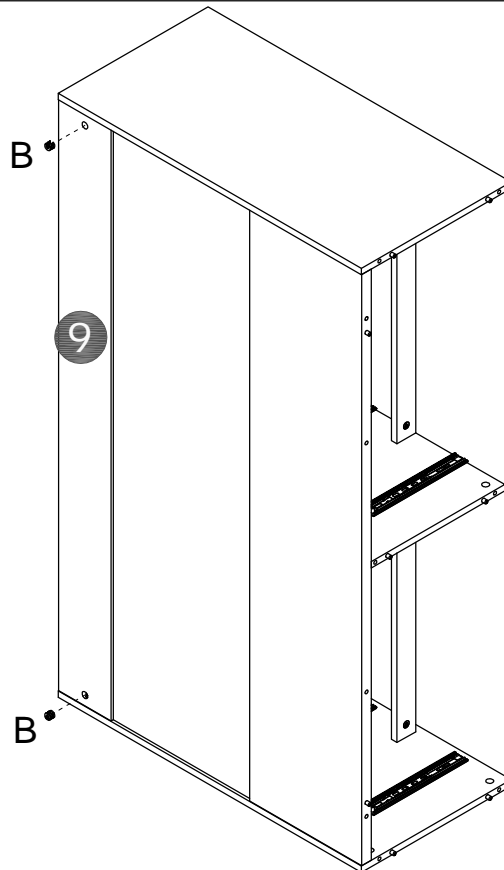
Assembly Instructions

STEP 14

An assistant is required.

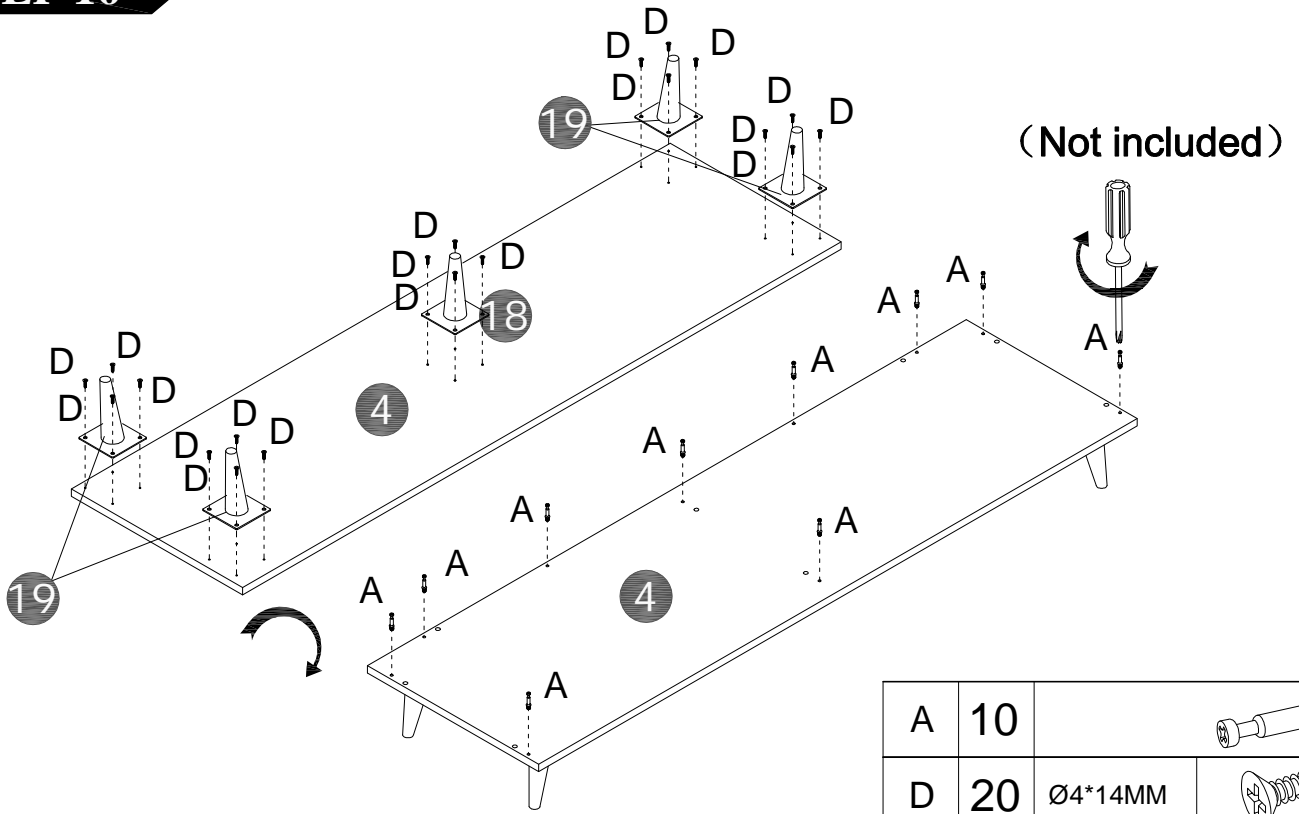


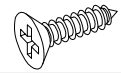
STEP 15



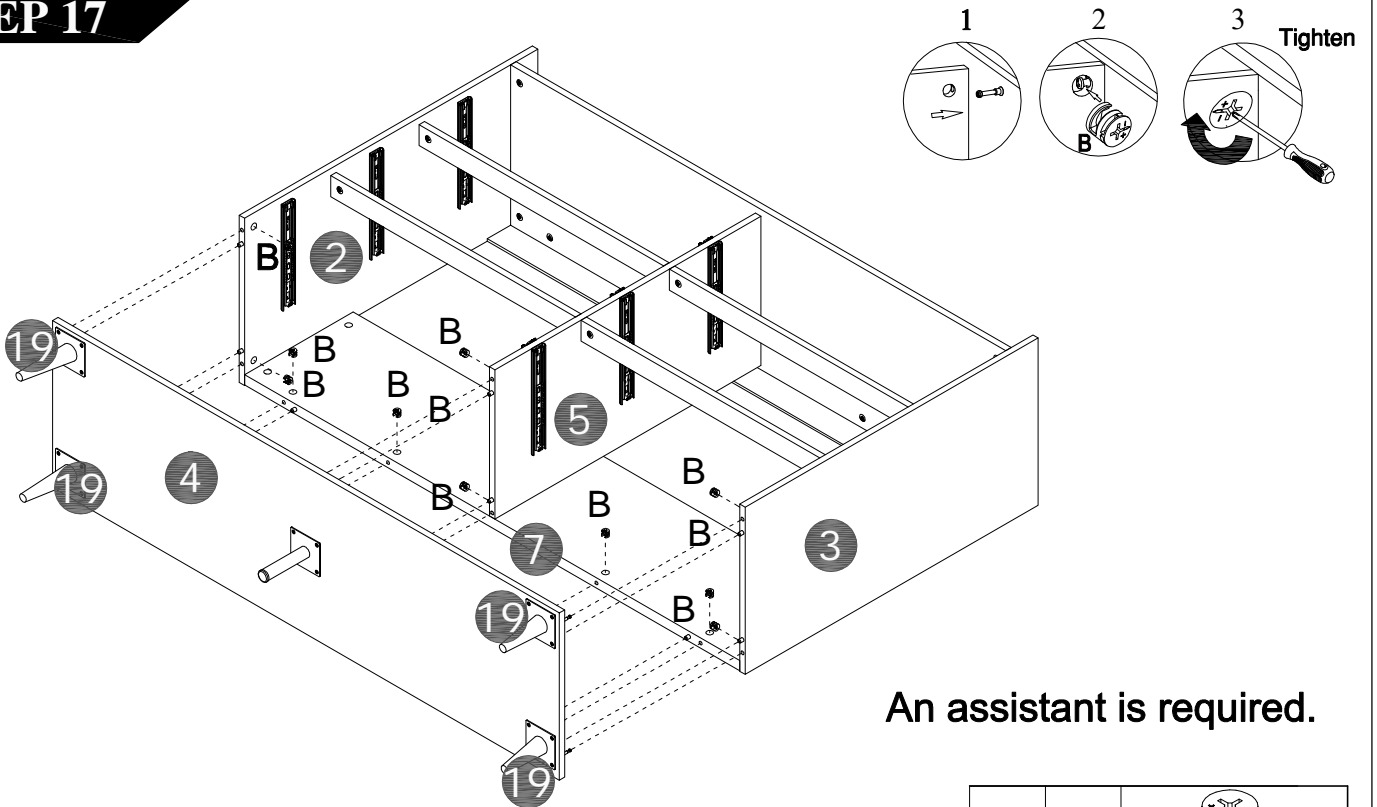
Assembly Instructions


STEP 16



A	10		
D	20	Ø4*14MM	

STEP 17

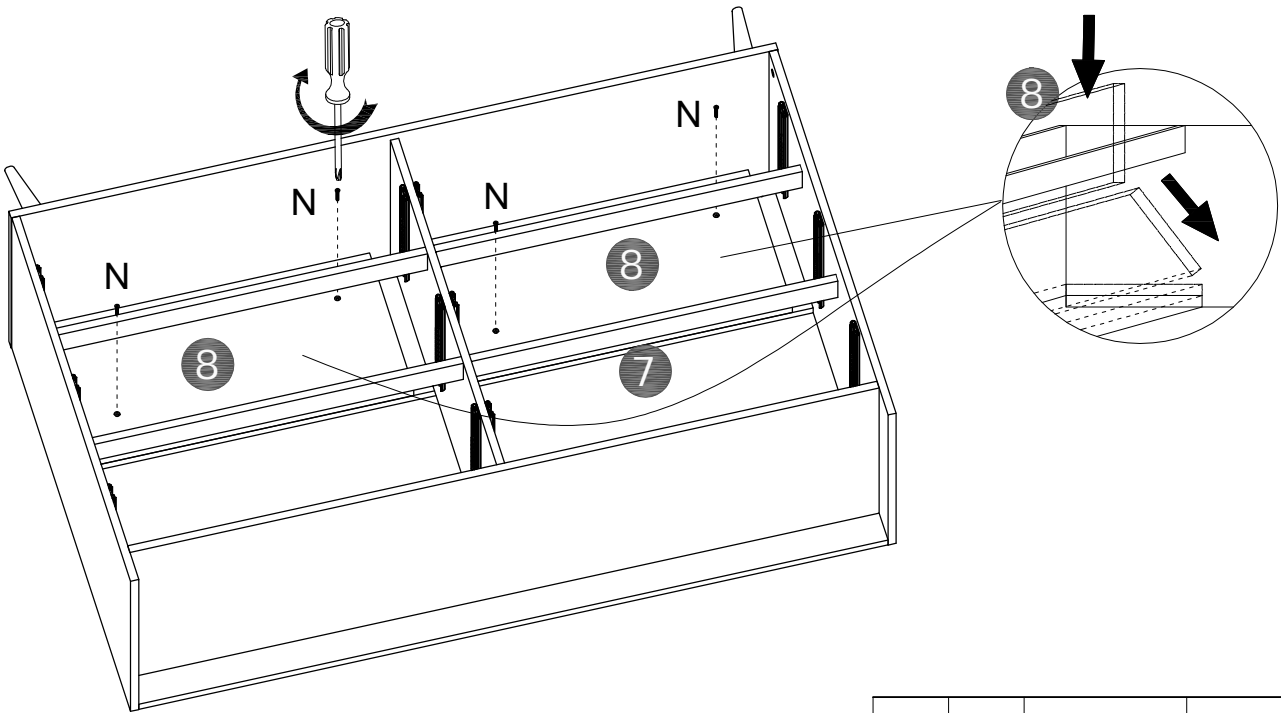


B	10	
---	----	---

Assembly Instructions

STEP 18

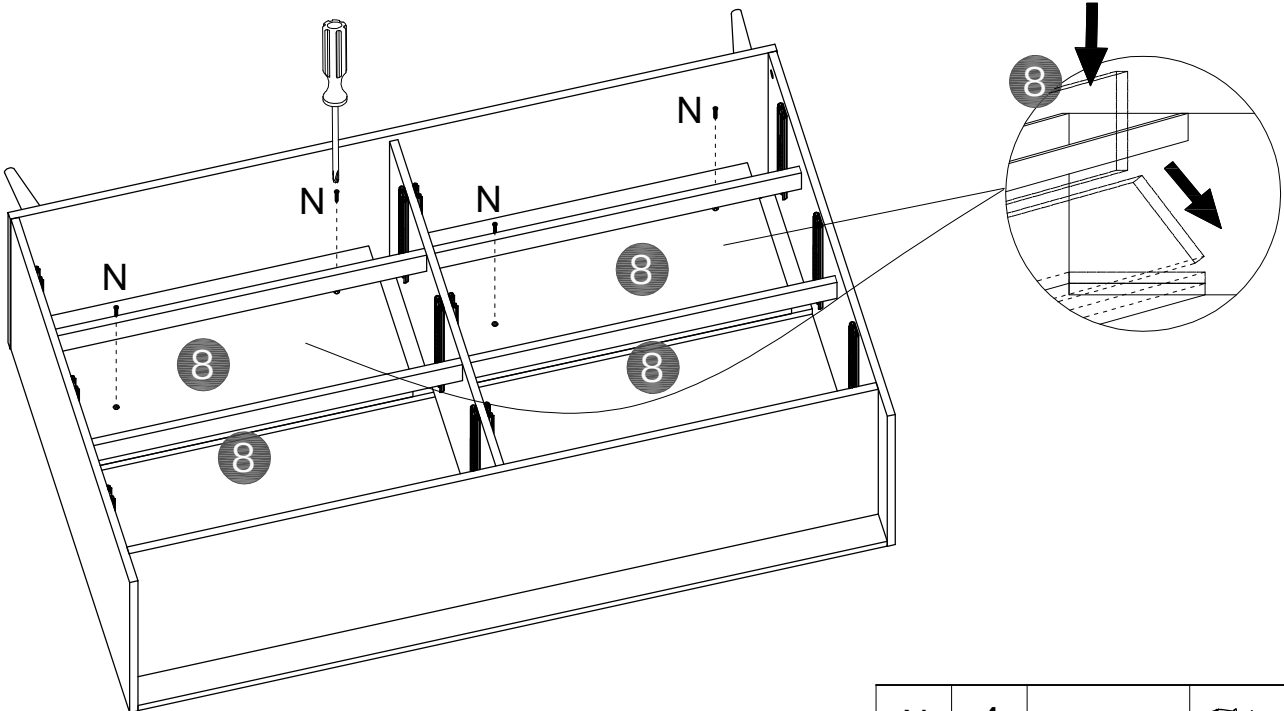
(Not included)




N	4	Ø4*35MM	
---	---	---------	---

STEP 19

(Not included)

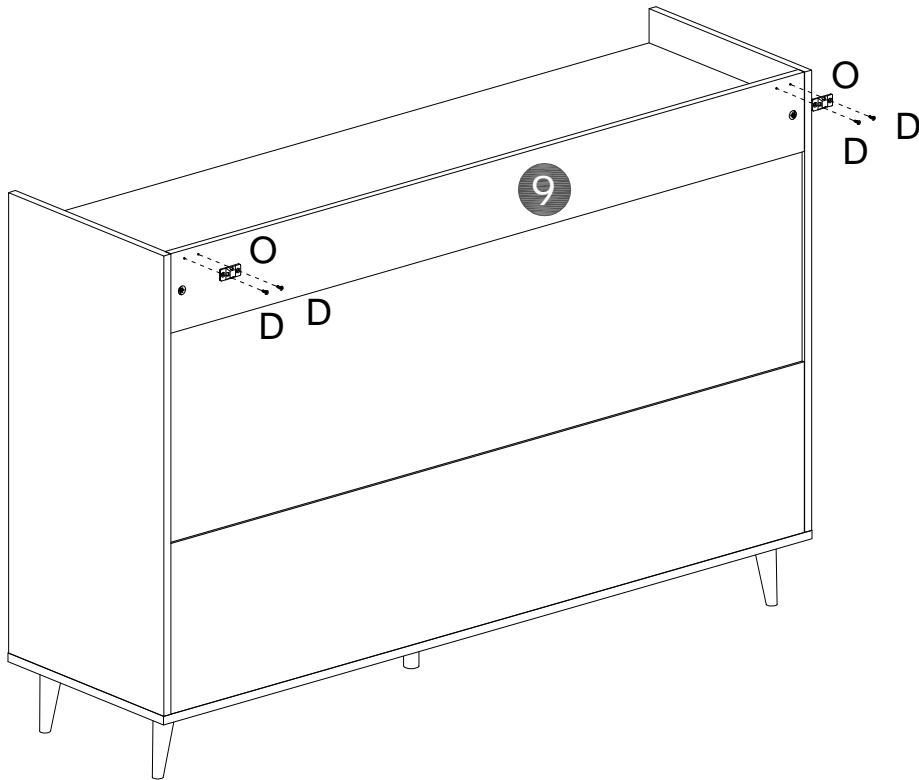


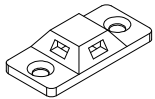
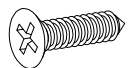
N	4	Ø4*35MM	
---	---	---------	---

Assembly Instructions

STEP 20

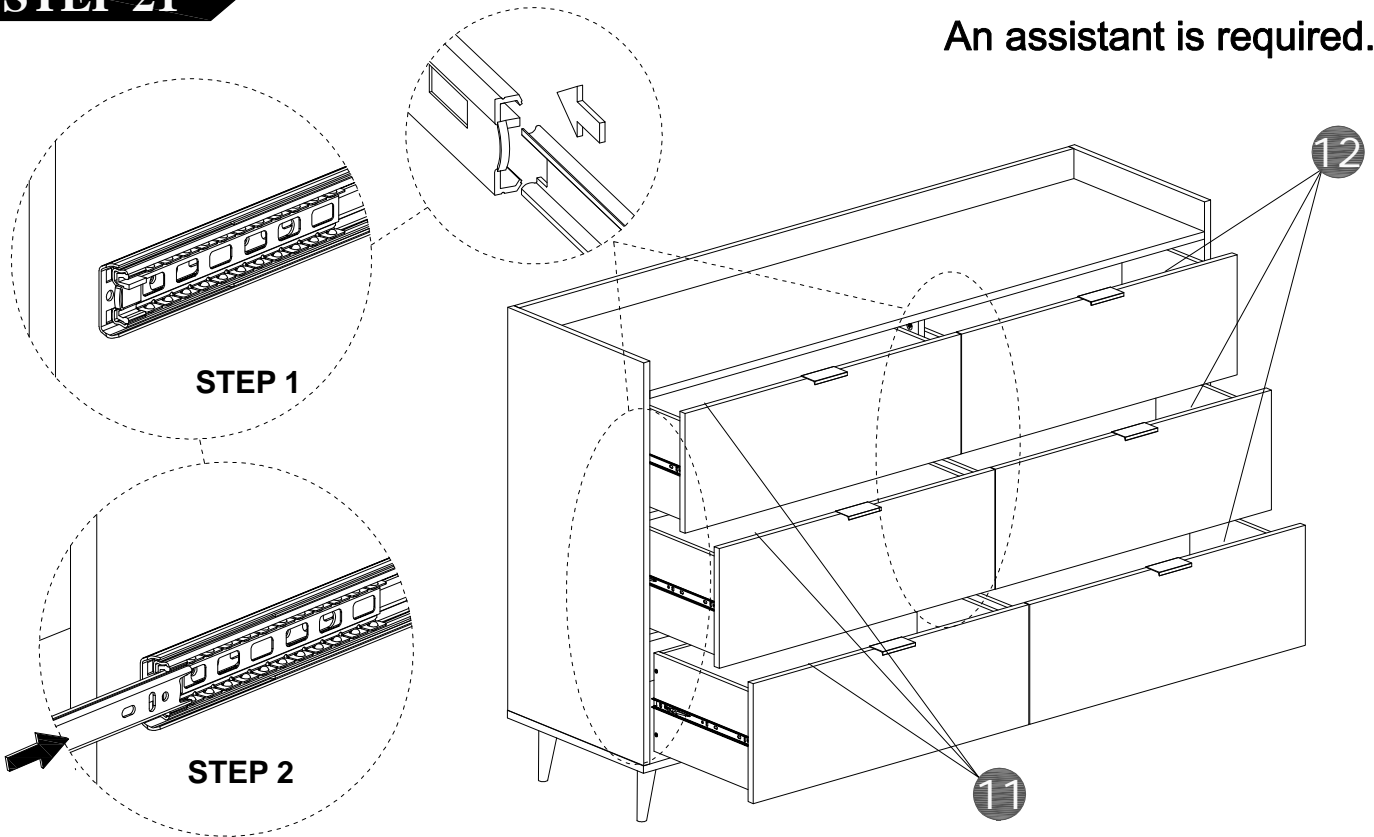
With assistant carefully stand unit up.



O	2		
D	4	Ø4*14MM	

STEP 21

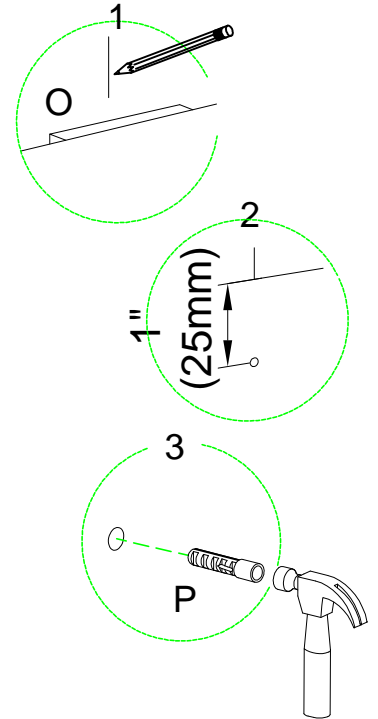
An assistant is required.



Assembly Instructions

STEP 22

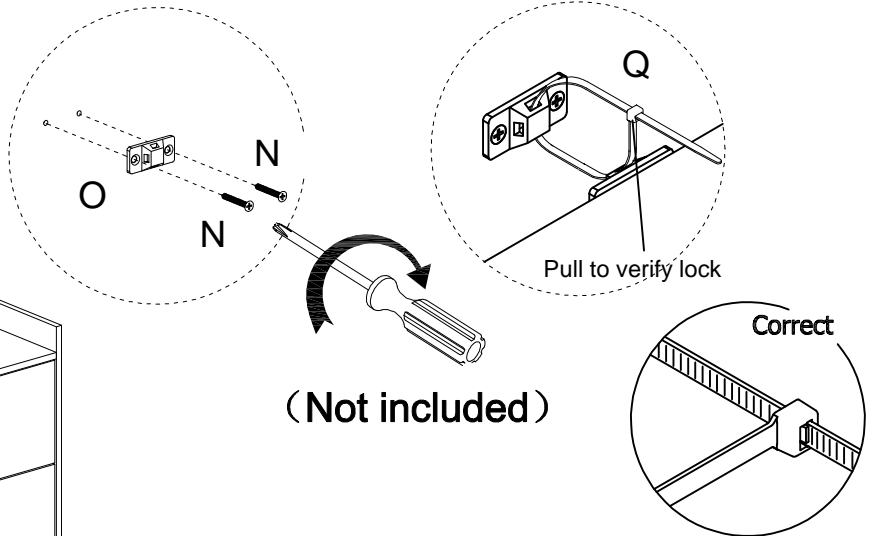
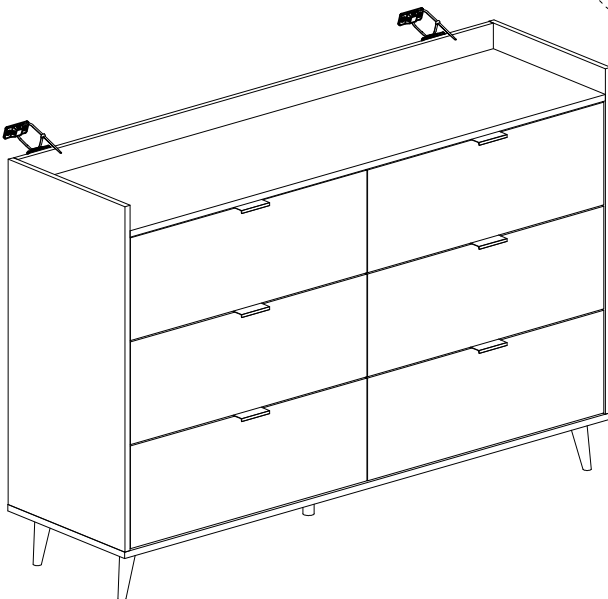
1. Find the point at 1 "below the item and draw the point by pressing the hole on P.
2. Using a drill bit slightly thinner than anchor, drill hole into drywall.
3. Use a light hammer to tap anchor into hole.
4. Anchor should fit snugly. If hole is too small, drill again to increase hole size. Do not force anchor into wall.



P	4	
---	---	--

STEP 23

1. Insert drywall screw into metal bracket and into drywall anchor.
2. Insert strap thru bracket attached to wall.
3. Pull lightly til strap stops. Assembly is complete.

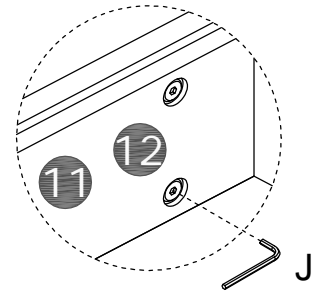
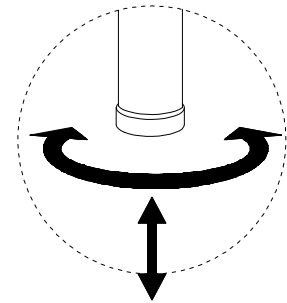


Q	2		Nylon Cable Tie
O	2		
N	4	Ø4*35MM	

Assembly Instructions

STEP 24

▲ WARNING	
	Children have died from furniture tip-over. To reduce the risk of furniture tip-over: <ul style="list-style-type: none">• ALWAYS install tip-over restraint provided.• NEVER put a TV on this product.• NEVER allow children to stand, climb or hang on drawers, doors, or shelves.• NEVER open more than one drawer at a time.• PLACE heaviest items in the lowest drawers.
	<i>This is a permanent label. Do not remove!</i>



The screw can be easily opened when adjusting the clearance of the drawing surface, and then the drawing surface can be adjusted. It is very important to tighten the screws after proper adjustment

Final Assembly