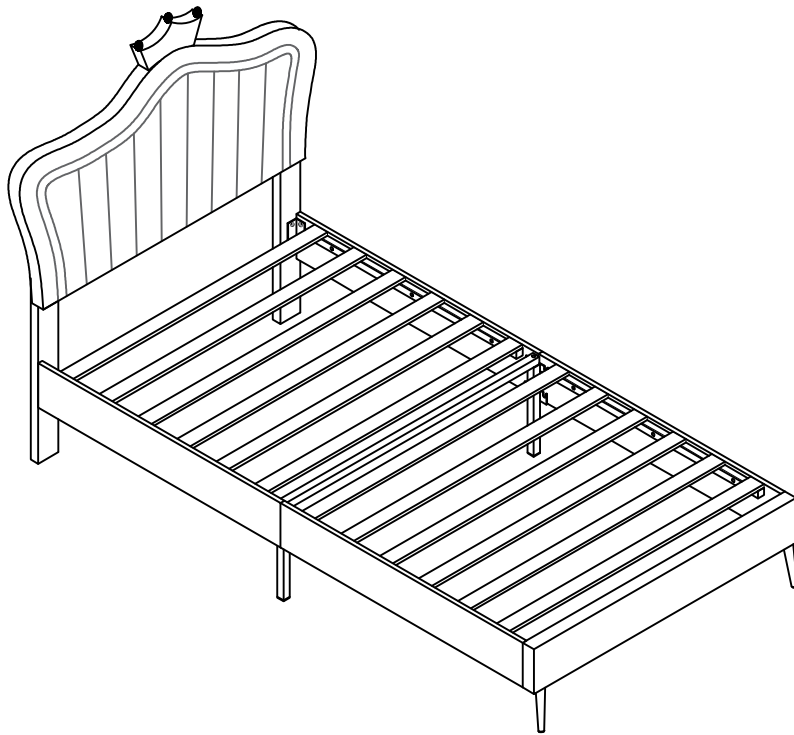
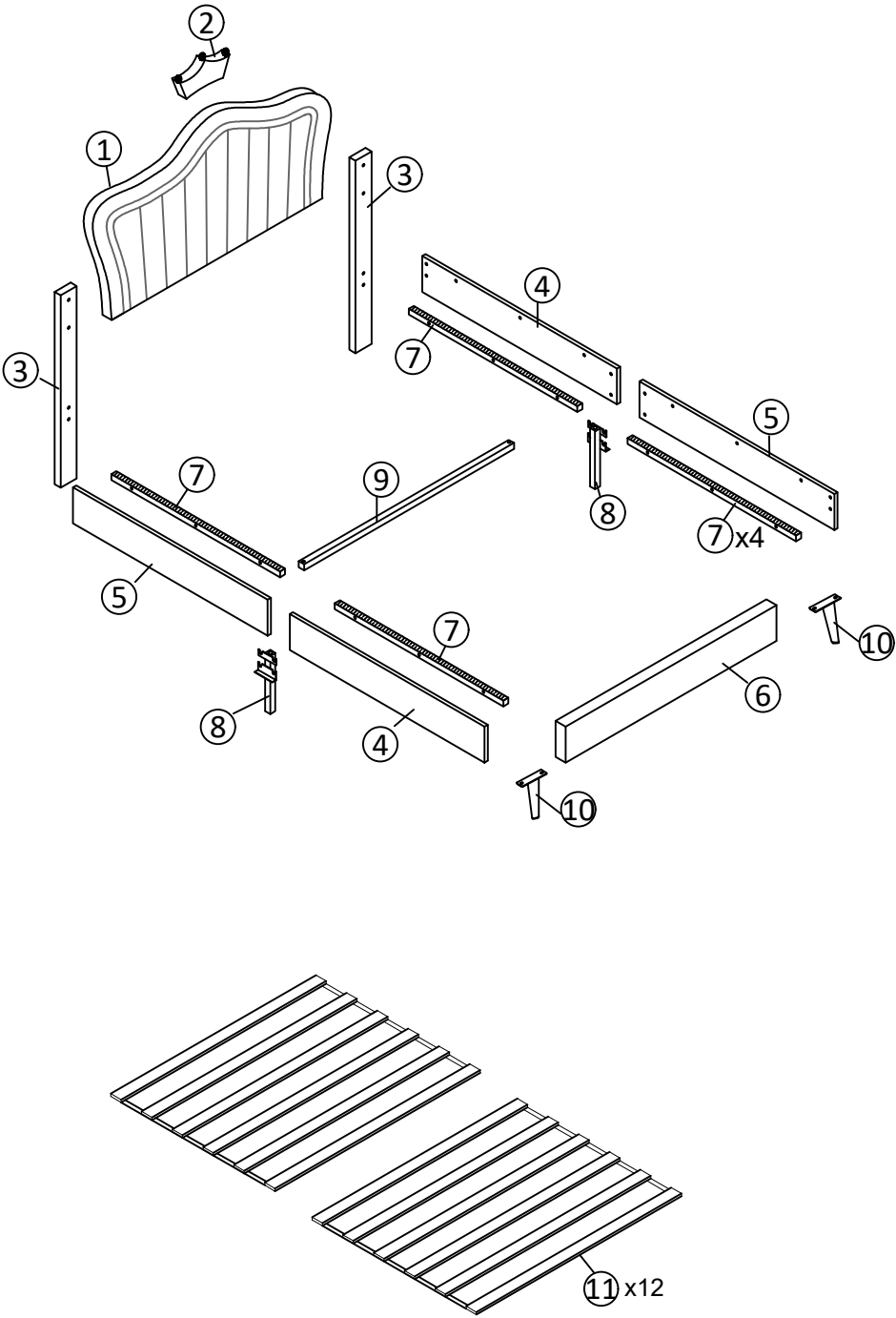


ASSEMBLY INSTRUCTION

SKU:WF315530

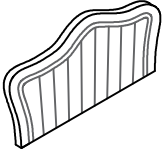


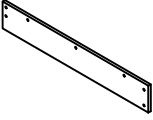
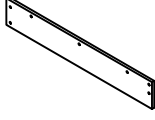
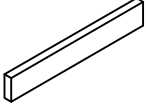
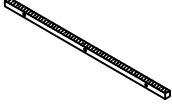



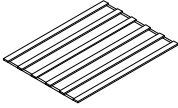


Detail View




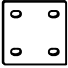
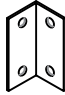








Part List + Hardware List

WF315530

1  Head board-1pc	2  Crown -1pc	3  Head board legs -2pcs
4  Side rails-2pcs	5  Side rails-2pcs	6  Foot board -1pc
7  Side rails support bar-4pcs	8  Side rails support legs-2pcs	9  Cross bar-1pc
10  Bed legs-2pcs	11  Slats-12pcs	

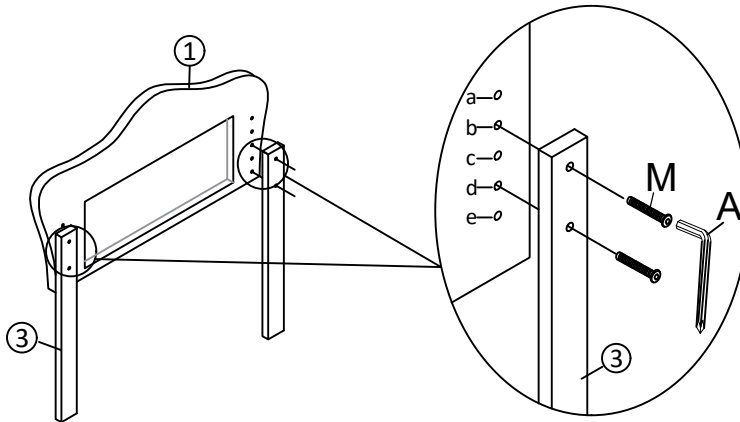
Hardware List


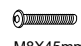
<p>A</p>  <p>20*70mm</p>	<p>B</p>  <p>Ø8*40mm</p>	<p>D</p>  <p>Ø8*18mm</p>
<p>Allen Key(1pc) Bolts(14pcs) Bolts(32pcs)</p>		
<p>E</p>  <p>100*100*2mm</p>	<p>F</p>  <p>75*33*33mm</p>	<p>H</p> 
<p>Four hole iron(1pc) "7" Connector(4pcs) Power adapter(1pc)</p>		
<p>I</p> 	<p>J</p> 	<p>K</p>  <p>Ø3*16mm</p>
<p>Color controller(1pc) LED(1pc) Nails(28pcs)</p>		
<p>L</p>  <p>20*6mm</p>	<p>M</p>  <p>Ø8*45mm</p>	
<p>Buckle(14pcs) Bolts(4pcs)</p>		

Attention: Do not tighten the screws before completing the entire installation. If you have any difficulty with the installation process, please feel free to contact us.

Step 1

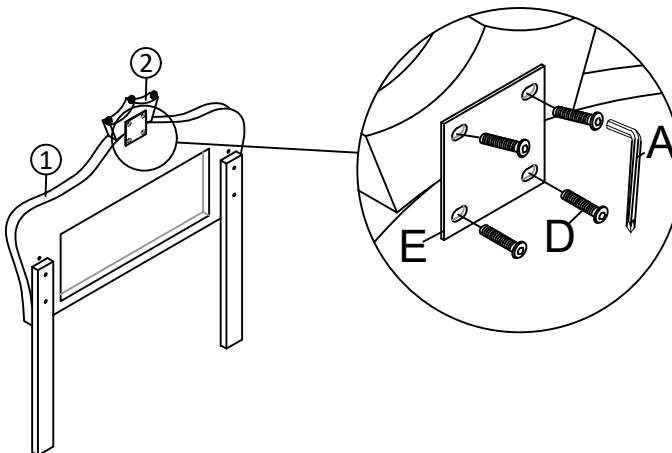
Fix the Head board legs ③ to the headboard ① with Bolts M by using Allen key A, you can chose the hole a and c, or b and d or c and e.


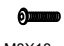



A Allen Key 	M Bolts x 4  M8X45mm
--	---

Step 2

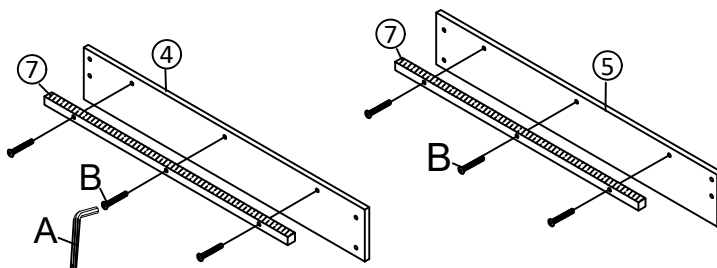
Fix the Crown ② to the headboard ① with Bolts D and Four hole iron E by using Allen key A.





Allen Key 	D Bolts x 4  M8X18mm	E Four hole iron x 1 
--	---	---

Step 3x2

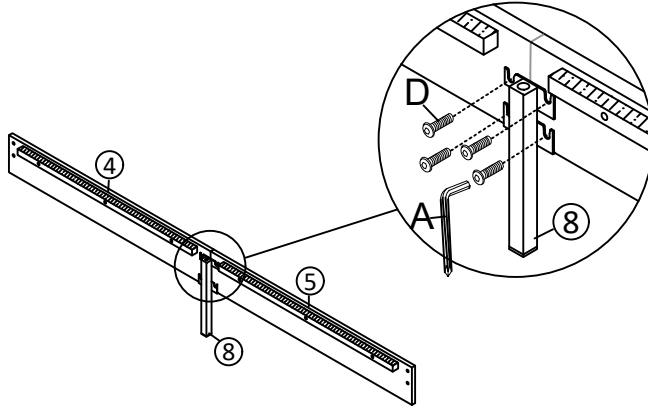
Connect the Siderail support bar ⑦ to the Siderails ④ and ⑤ with Bolts B by using Allen key A.





Allen Key 	B Bolts x 12  M8X40mm
--	--

Step 4 x2

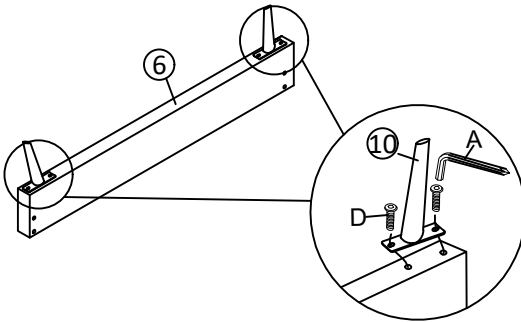
Fix the side rails support leg ⑧ to the assembled side rail with Bolts D by using Allen key A.





Allen Key	D Bolts x 8
	 M8X18mm

Step 5

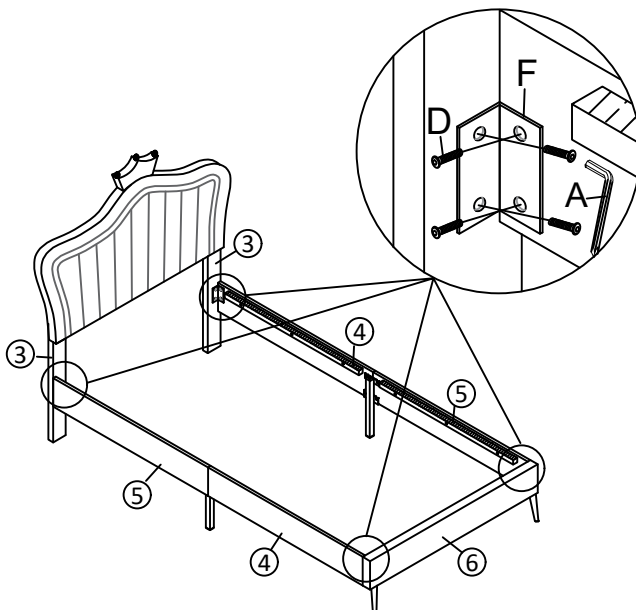
Fix the legs ⑩ to the foot board ⑥ with Bolts D by using Allen key A.






Allen Key	D Bolts x 4
	 M8X18mm

Step 6

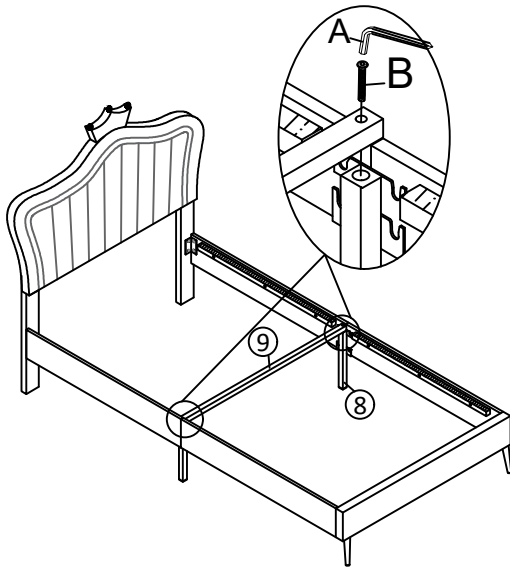
Fix the assembled side rail to the Headboard legs ③ and foot board ⑥ with Bolts D and "7" Connector F by using Allen key A.





Allen Key	D Bolts x 16	F "7" Connector x 4
	 M8X18mm	

Step 7

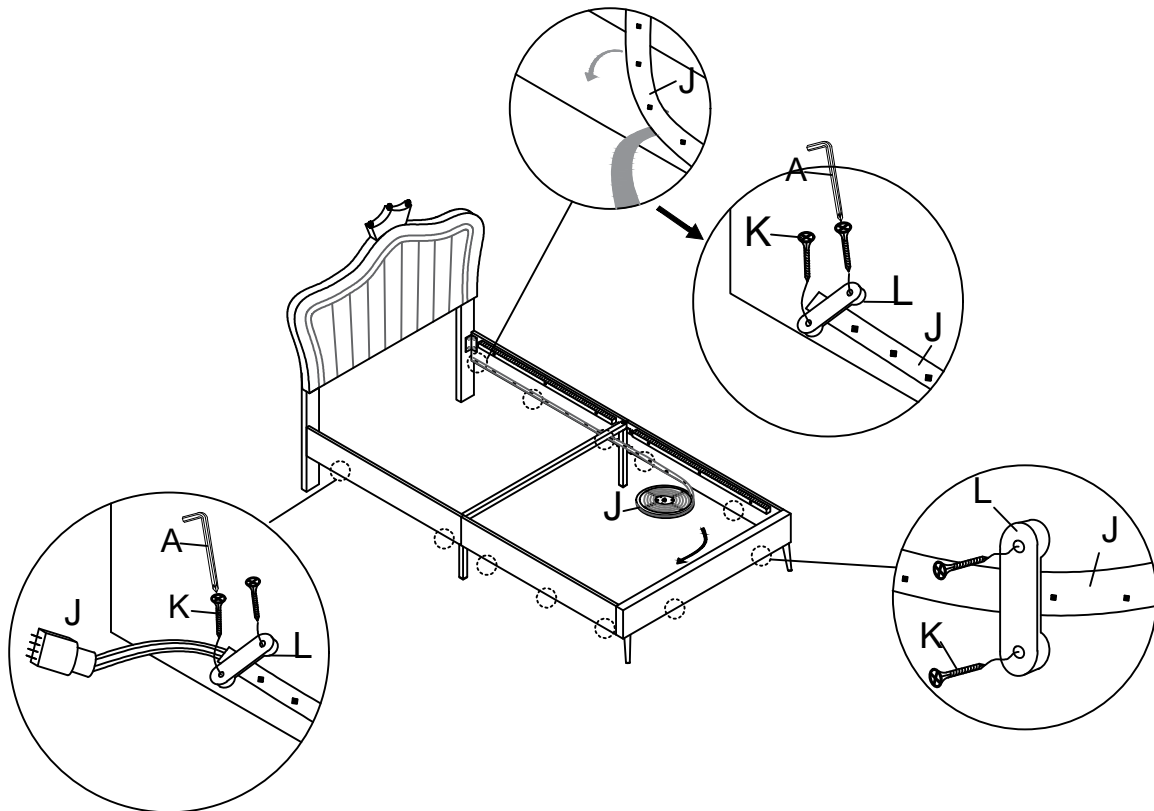
Fix the cross bar ⑨ to the side rails support legs ⑧ with Bolts B by using Allen key A



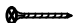



Allen Key 	B Bolts x 2  MBX40mm
--	---

Step 8

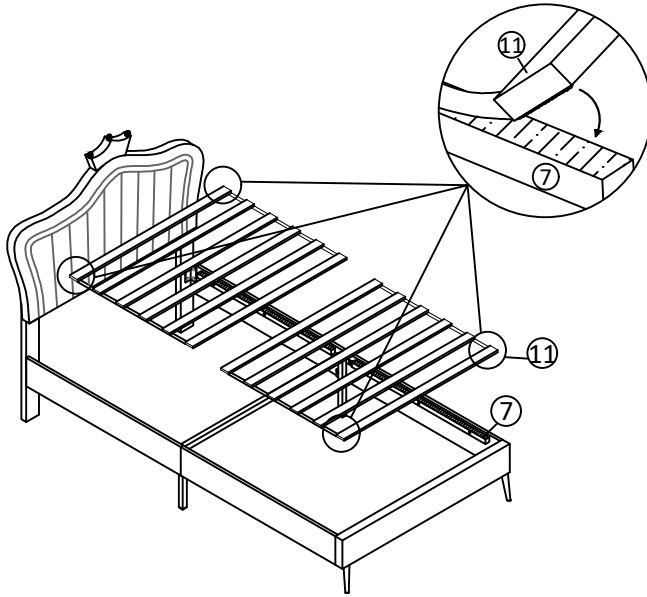
At first, tear off the tape on the back of the LED Light Strip, stick it in side of the siderails and foot board. Please notice that the position of LED is about 1cm from the bottom. At second, fasten it with Buckle L and Nails K.



Allen Key 	J LED x 1 	K Nails x 24 M3X16mm 	L Buckle x 12 
--	--	--	--

Step 9

Fix the slats ⑪ to the side support bar ⑦, the assemble is finished.

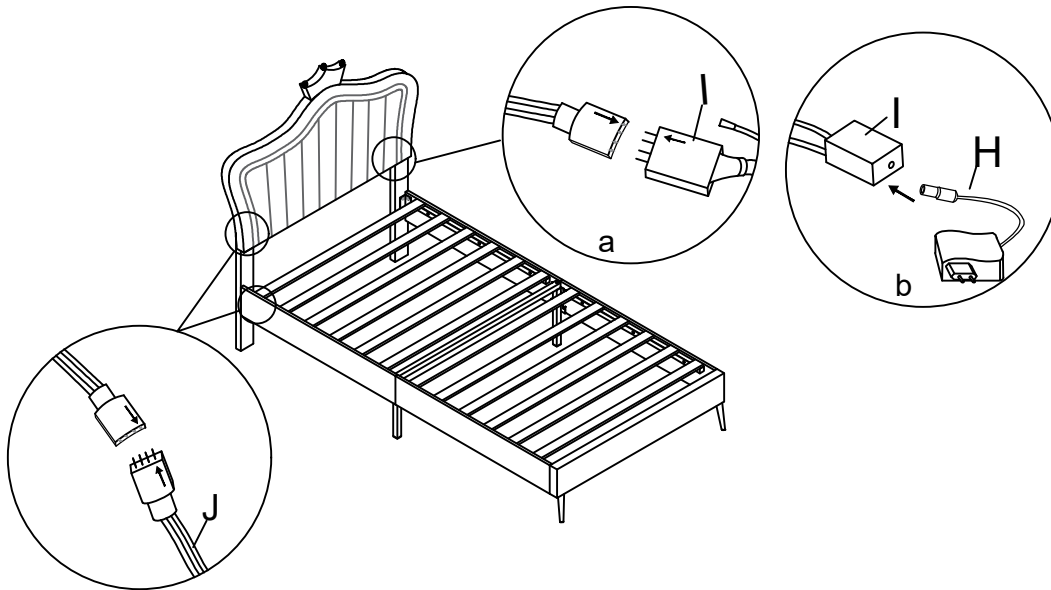




Step 10

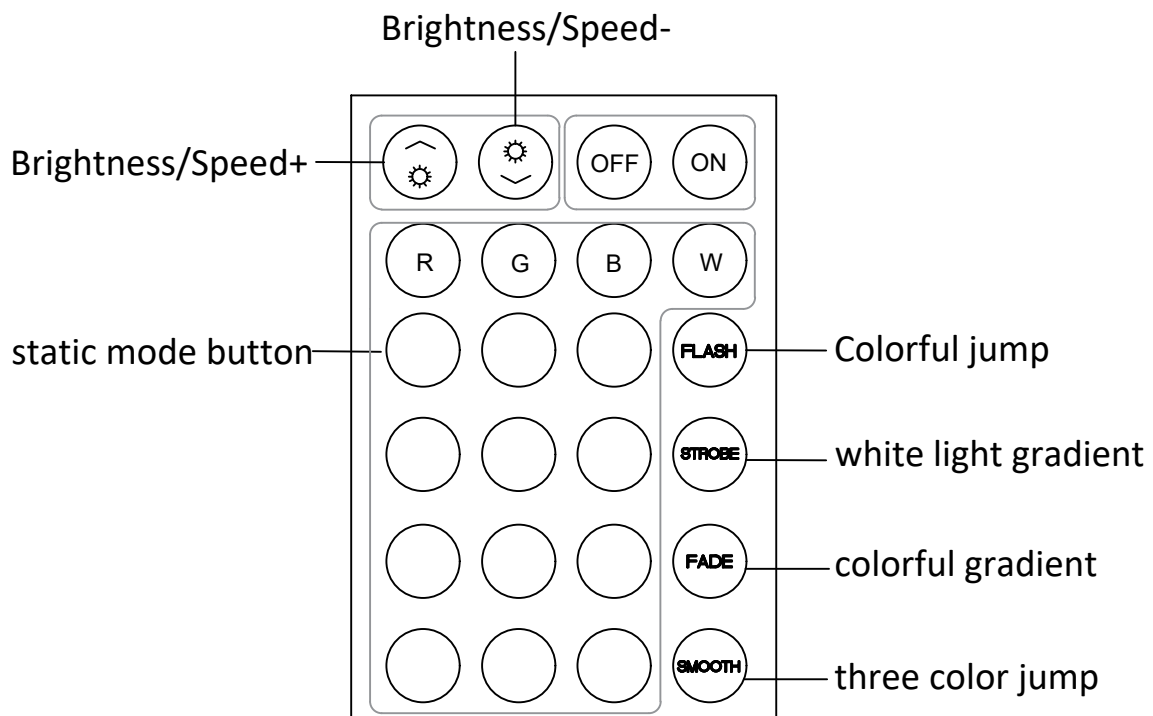
At first connect the two led of the headboard and bed frame. Please notice → ← .

At second, put the color controller I to the light line, please notice that → ← .

At third, Fix the power adapter H to the Color controller I. Finally connect the power and enjoy the bed.



H Led adapter x1	I Color controller x1
	



NOTICE:

When you use the remote control board to control the color of the light, Please remove the clear plastic card first, then please be sure to point the remote control at the color controller I.