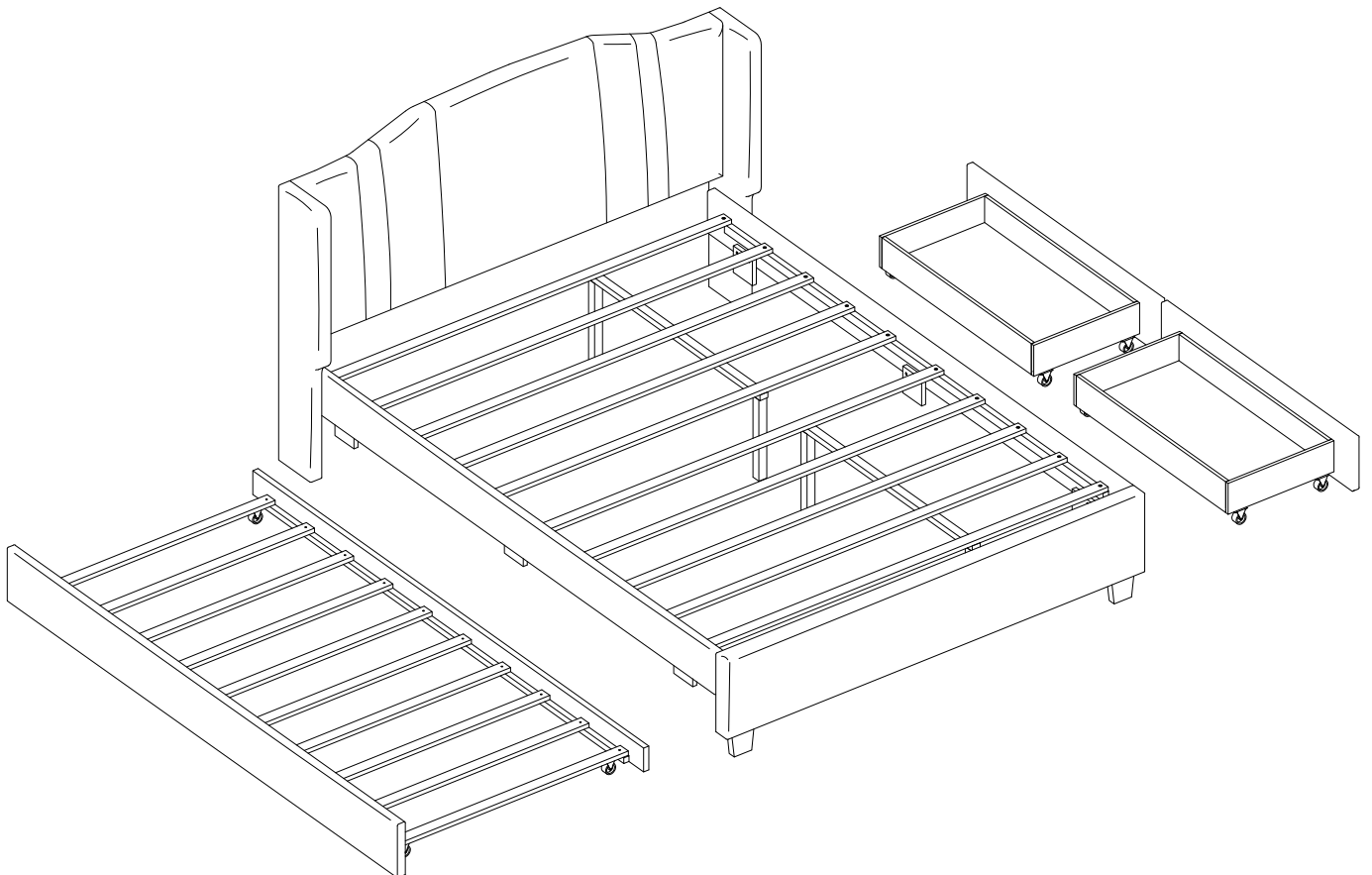
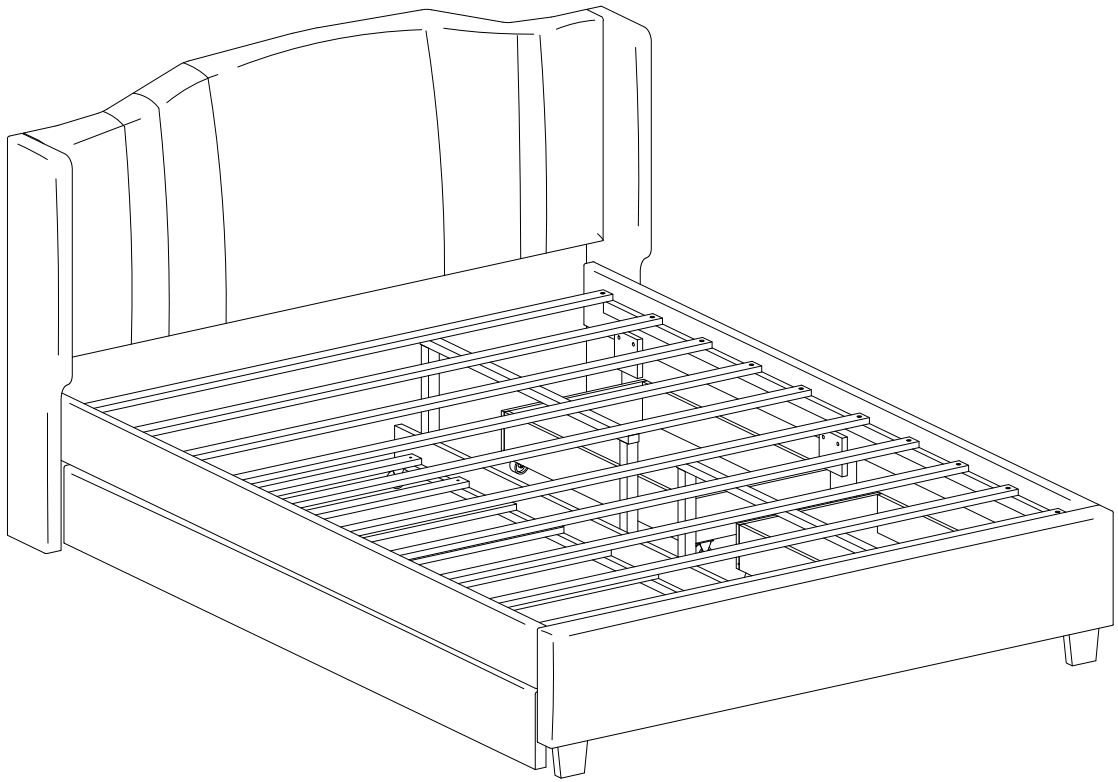
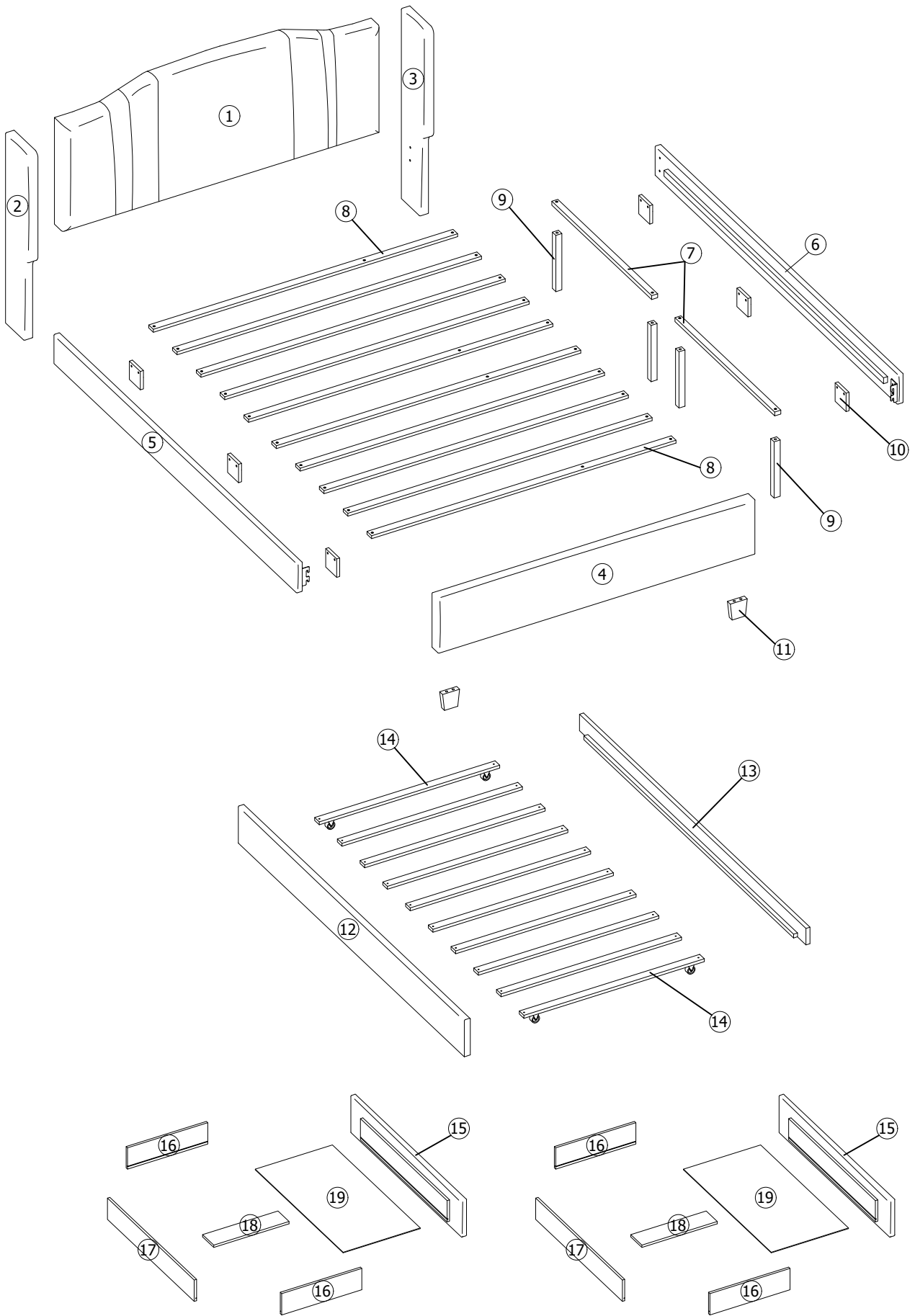


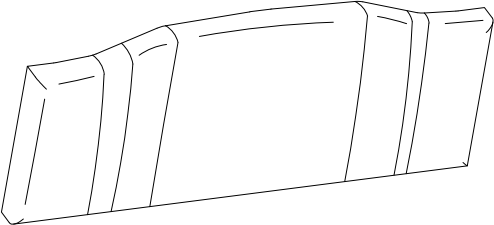
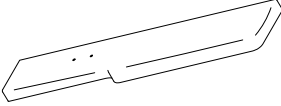
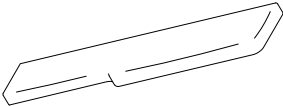
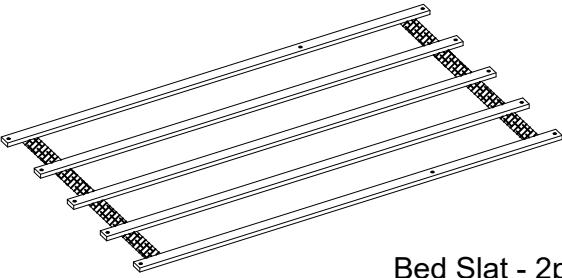
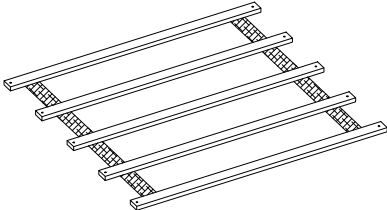
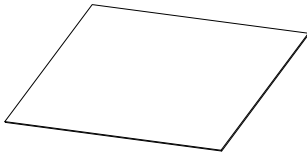
ASSEMBLY INSTRUCTION

SKU CODE: WF315177 WF315178

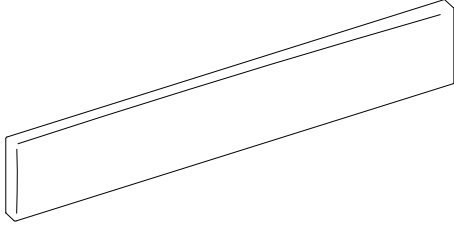
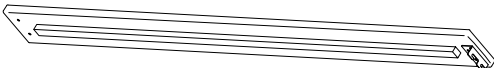
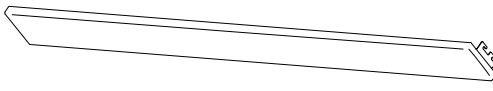


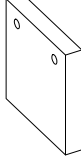
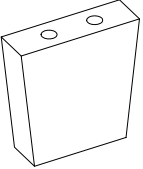



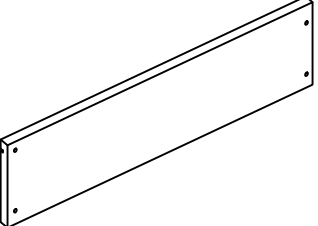
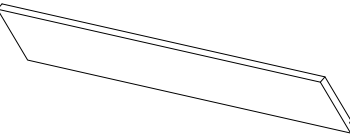





Part List: WF315177

<p>1</p>  <p>Headboard-1pc</p>	<p>2</p>  <p>Headboard left leg - 1pc</p>
<p>3</p>  <p>Headboard right leg - 1pc</p>	<p>8</p>  <p>Bed Slat - 2pcs</p>
<p>14</p>  <p>Side Bed Slat - 2pcs</p>	<p>19</p>  <p>Drawer base - 2pcs</p>

Part List: WF315178

<p>4</p>  <p>Footboard - 1pc</p>	<p>5</p>  <p>Side rail right-1pc</p>	
<p>6</p>  <p>Side rail left-1pc</p>	<p>7</p>  <p>Center Slat - 2pcs</p>	
<p>9</p>  <p>Slat Support - 4 pcs</p>	<p>10</p>  <p>Stopper panel - 6pcs</p>	
<p>11</p>  <p>Foot Leg - 2 pcs</p>	<p>12</p>  <p>Side bed head - 1 pc</p>	
<p>13</p>  <p>Side bed rail - 1 pc</p>	<p>15</p>  <p>Drawer head - 2pcs</p>	
<p>16</p>  <p>Drawer side - 4pcs</p>	<p>17</p>  <p>Drawer back - 2pcs</p>	<p>18</p>  <p>Drawer support - 2pcs</p>

HARDWARE AT WF315178

A  M8 x 40 Hex-head bolt (8pcs)	B  M8 Flat washer (8pcs)
C  M8 x 30 Hex-head bolt (16pcs)	D  M6 x 60 Hex-head bolt (4pcs)
E  M6 x 100 Hex-head bolt (4pcs)	F  M6 x 13mm Hex-head bolt (4pcs)
G  M6 x 13mm Flat washer (8pcs)	H  L Bracket (4pcs)
I  Mini Fix Housing (4pcs)	J  Mini Fix Bolt (4pcs)
K  M3.5 x 16mm Flat washer (40pcs)	L  M4 x 32mm Flat washer (40pcs)
M  M4 x 38mm Flat washer (16pcs)	N  M6 x 30mm Wood Dowel (4pcs)
O  Roller (8pcs)	P  M4 Allen key (1pc)
Q  M5 Allen key (1pc)	
 ASSEMBLY TOOLS REQUIRED (NOT INCLUDED)	

Read this instruction carefully. See hardware and furniture part list for guidance. Be sure all parts are complete, before you assemble. Place all wooden furniture parts on a clean and flat soft surface to prevent from being scratched.

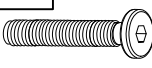

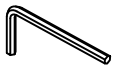
Follow the figure to start assembling.

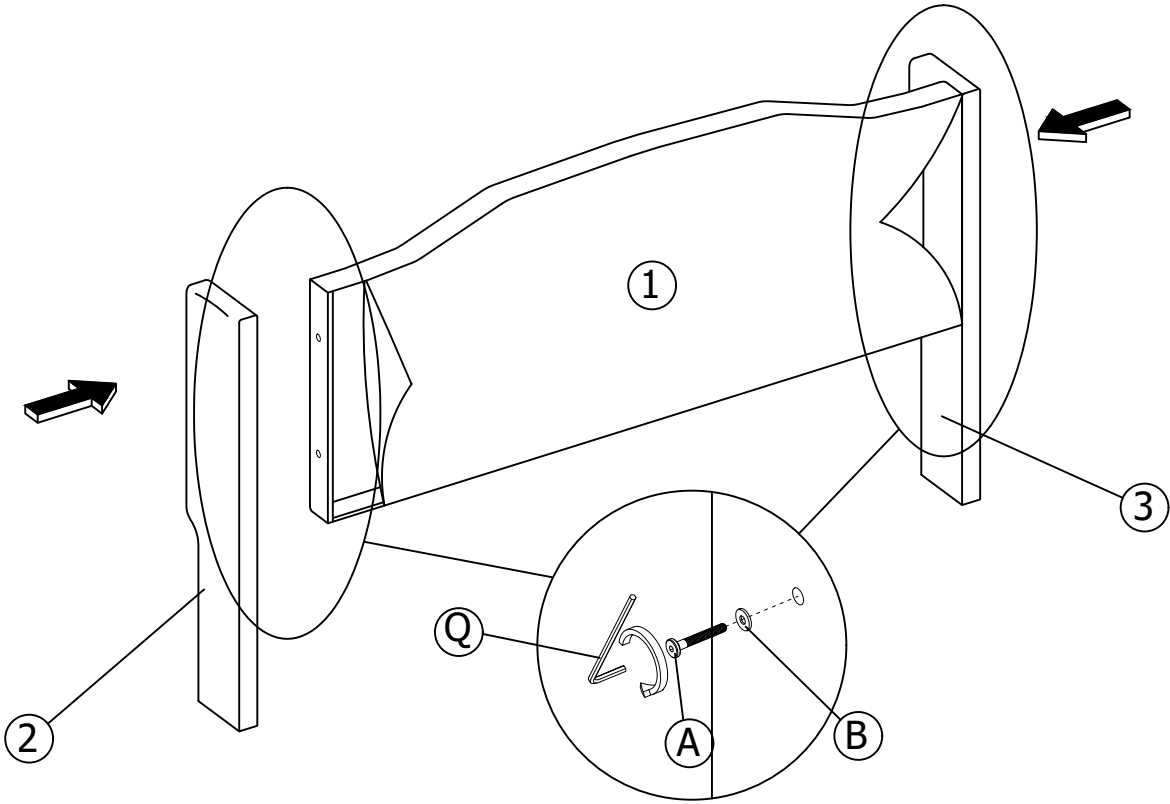
CAUTIONS :

1. Do not FULLY - TIGHTEN the nut or nut bolt until all nut or bolt is ready assembled.
2. Do not OVER - TIGHTEN the nut or bolt to avoid causing damages to the thread.
3. Keep all hardware parts out of reach of children.

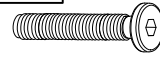
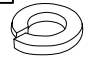

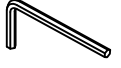
NOTE : THE LIST AND QUANTITY SHOWN ARE FOR 1 UNIT ASSEMBLY.

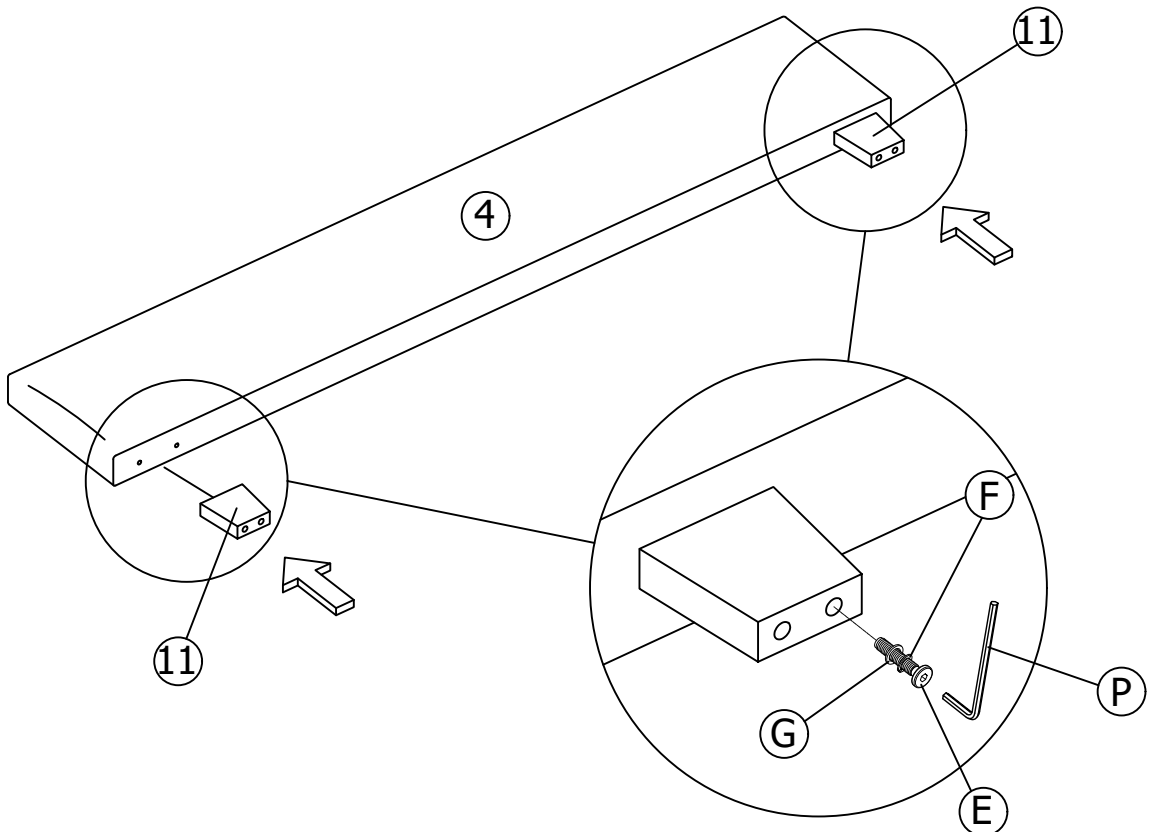
STEP 1

A		B		Q	
	4pcs		4pcs		1pc

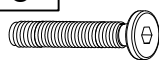
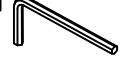


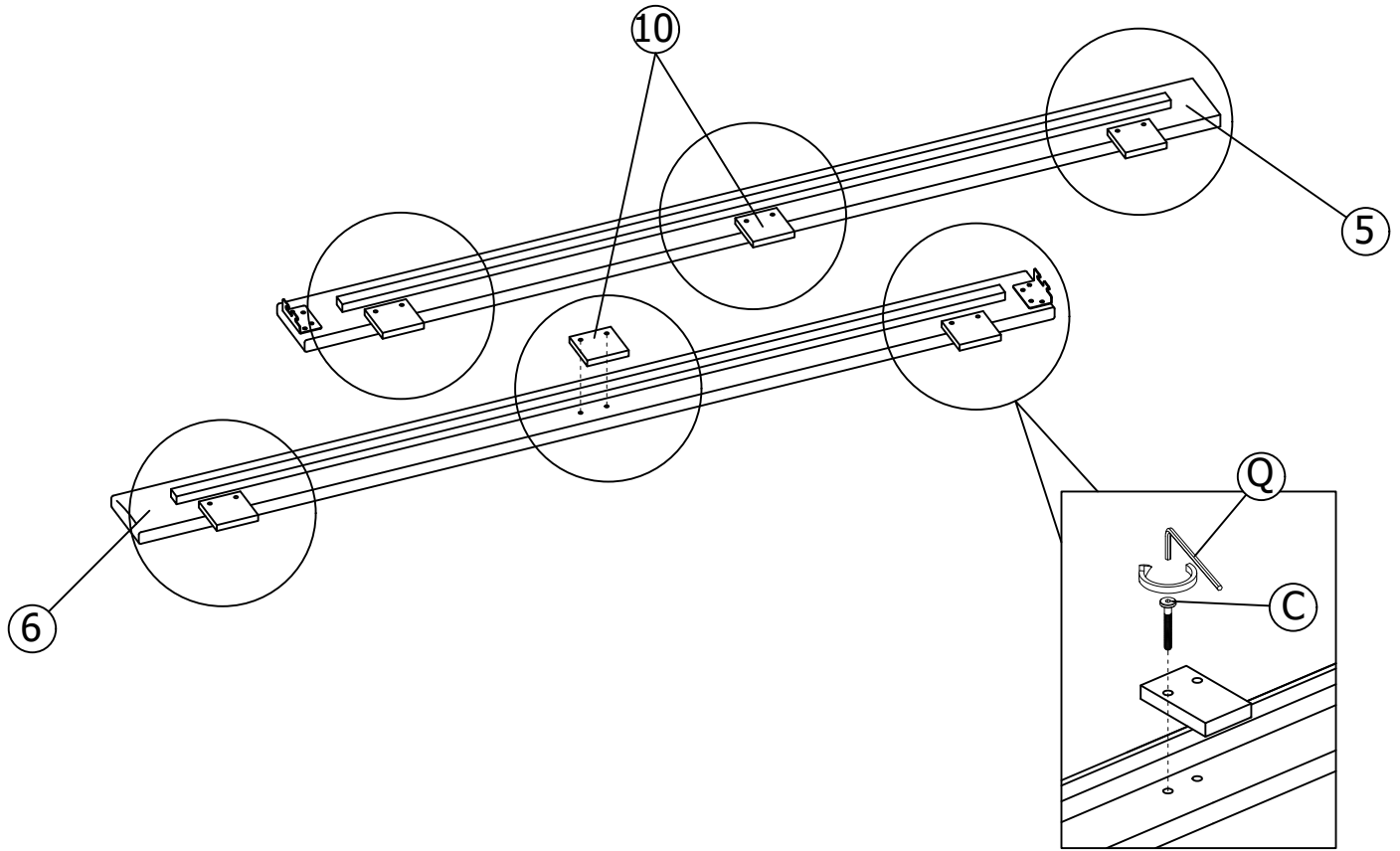
STEP 2

E		F		G		P	
	4pcs		4pcs		4pcs		1pc

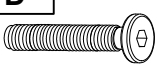

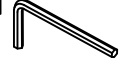


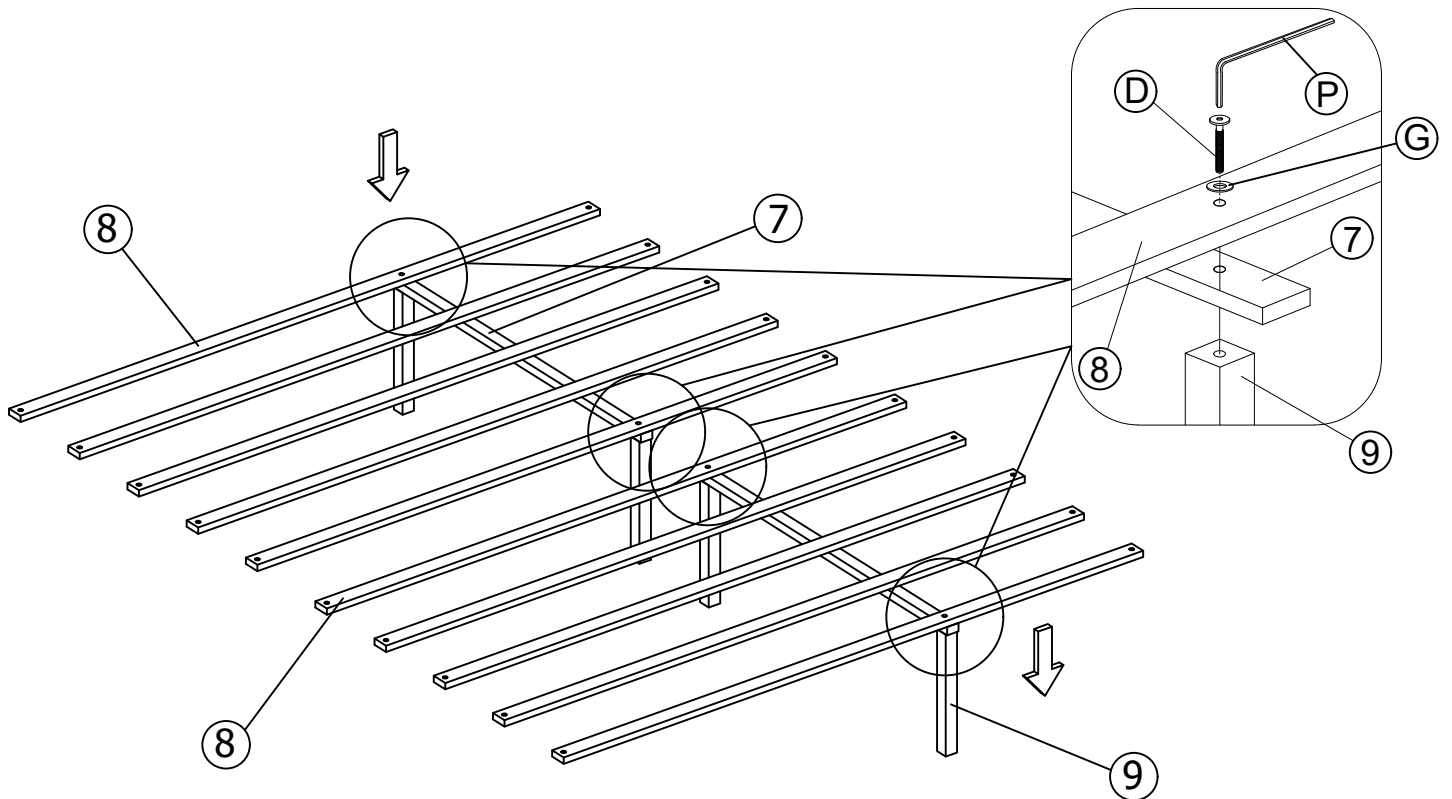
STEP 3

C		Q	
12pcs		1pc	




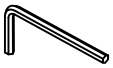


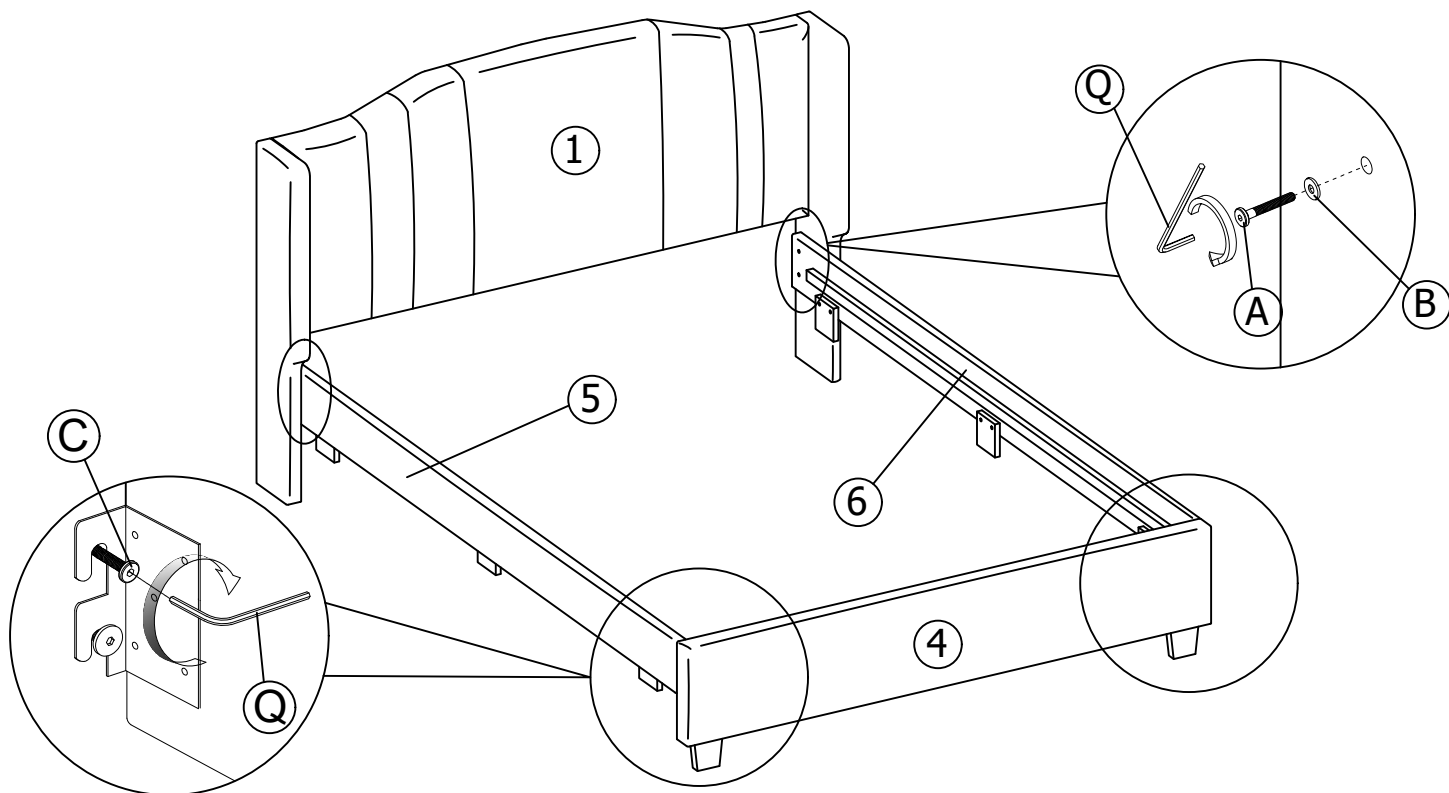
STEP 4

D		G		P	
4pcs		4pcs		1pc	




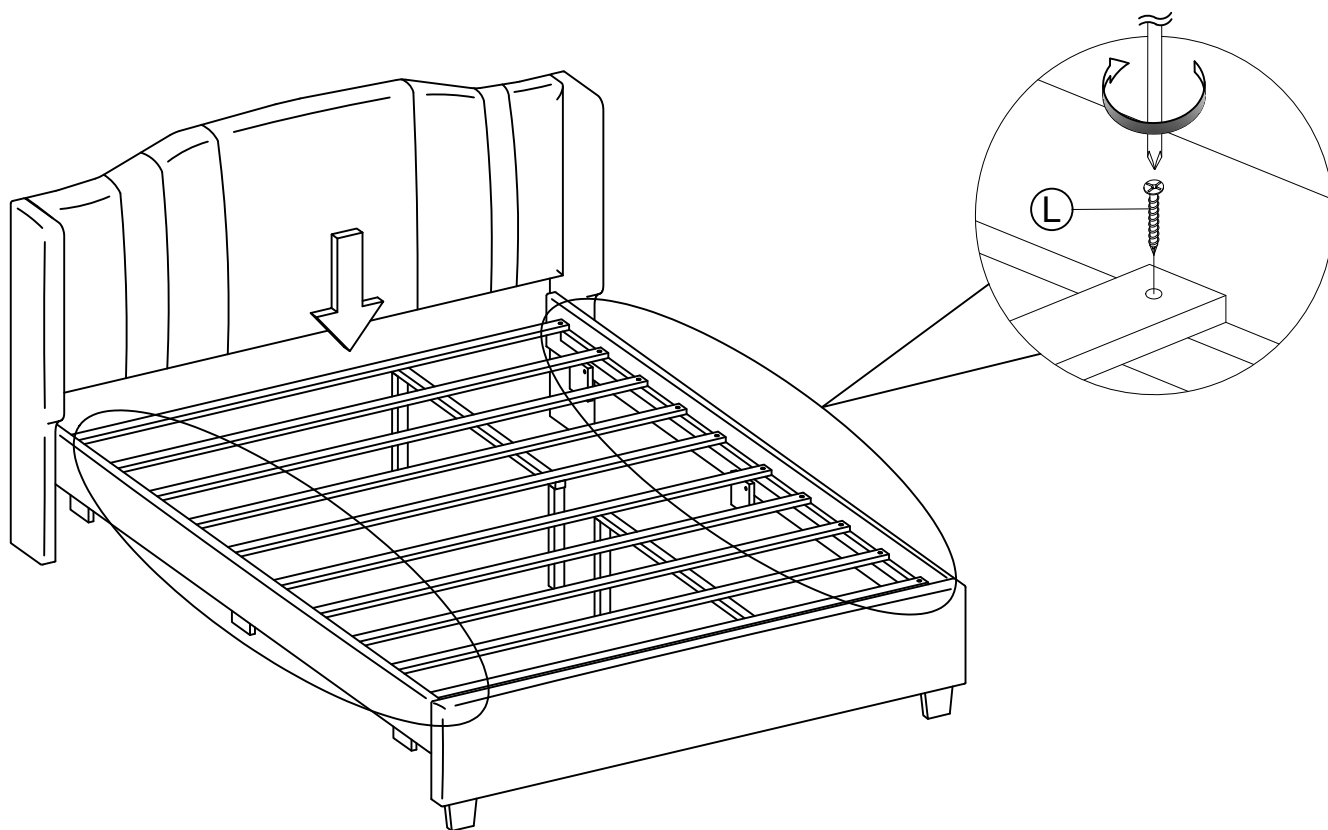
STEP 5

C	A	B	Q
			
4pcs	4pcs	4pcs	1pc


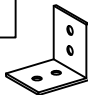



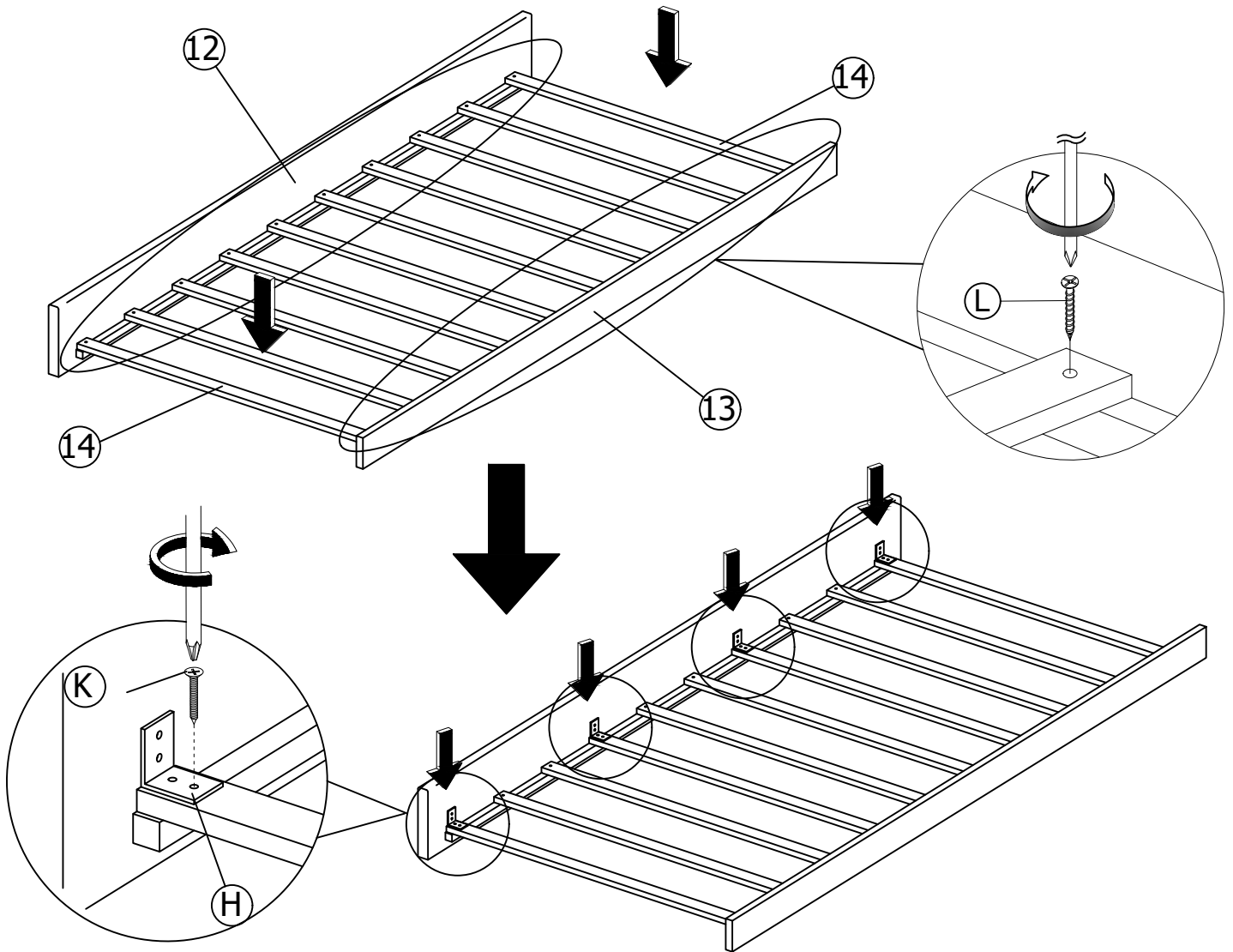
STEP 6

L

20pcs





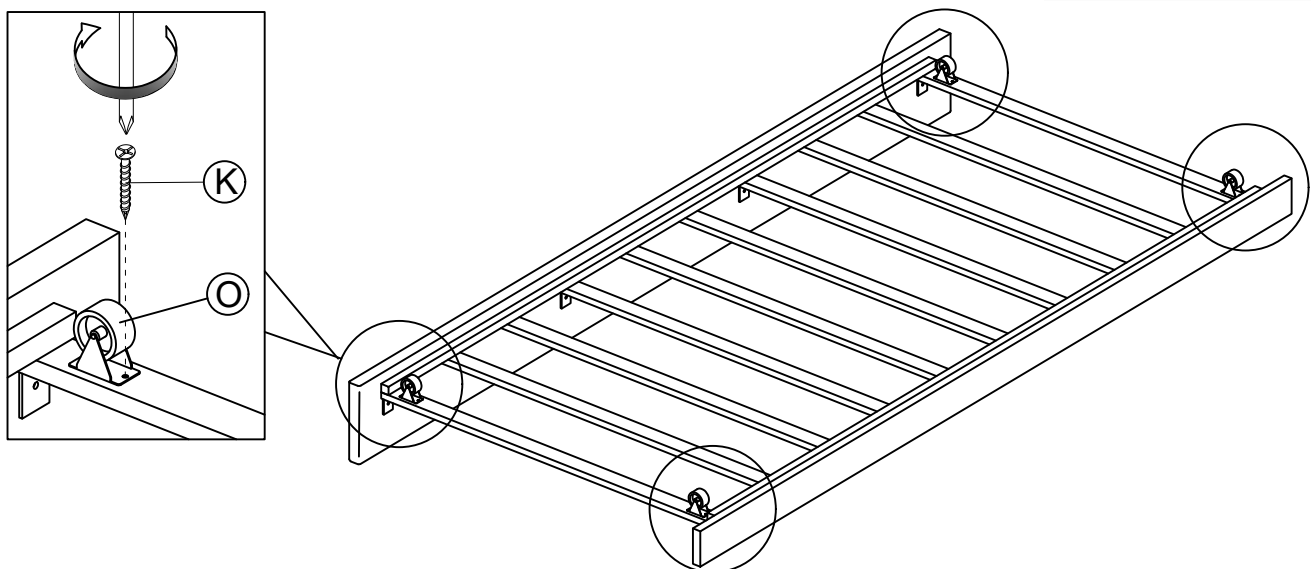
STEP 7

K 	H 	L 
16pcs	4pcs	20pcs

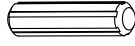
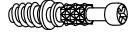


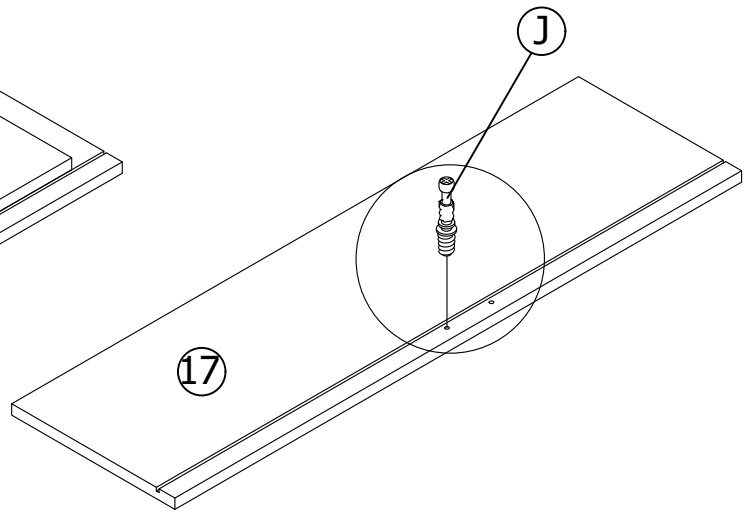
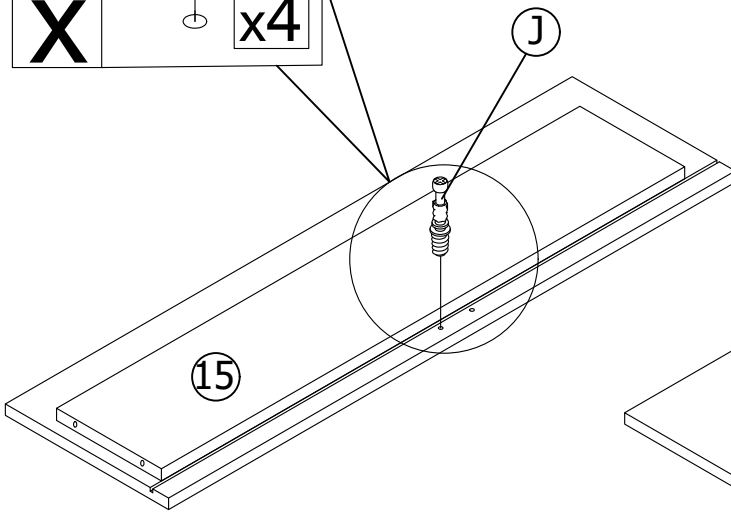
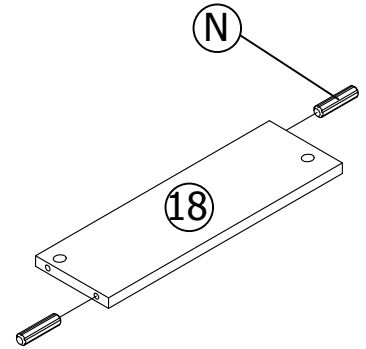
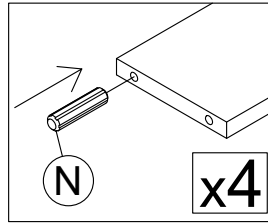
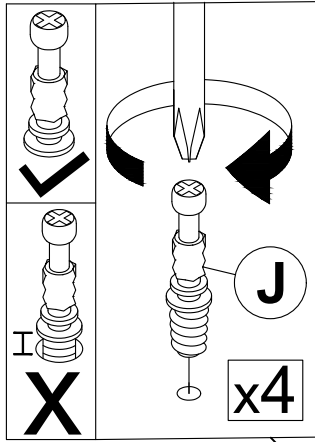
STEP 8

O 	K 
4pcs	8pcs




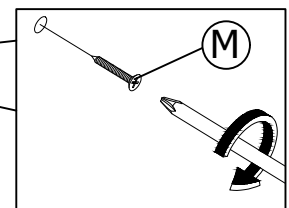
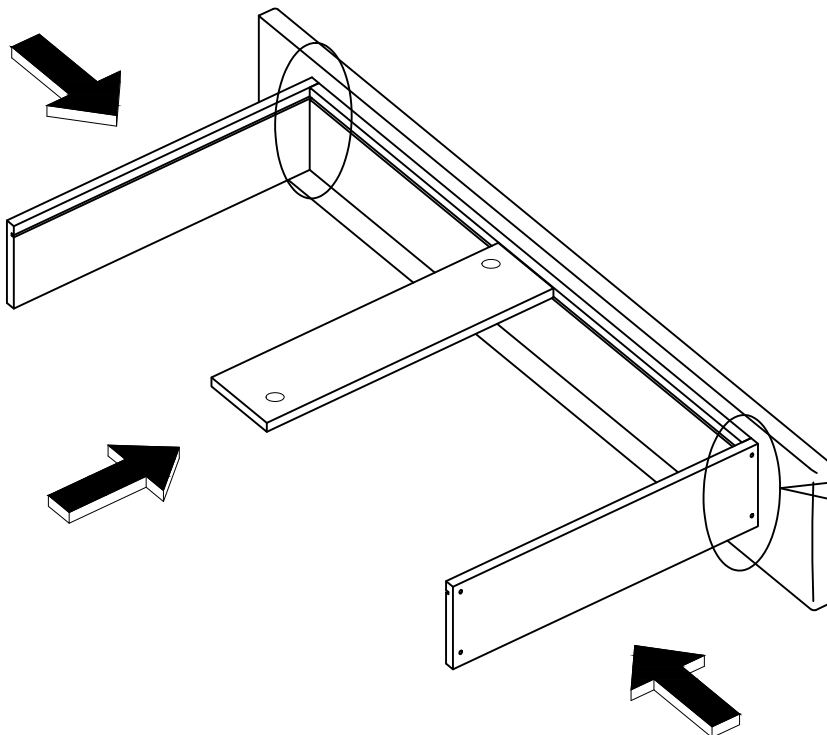
STEP 9

N	J
	
4pcs	4pcs







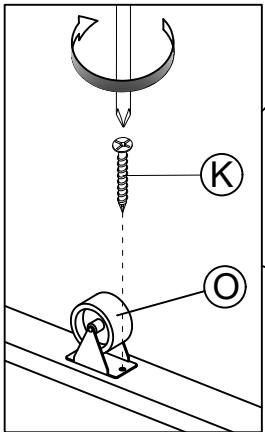
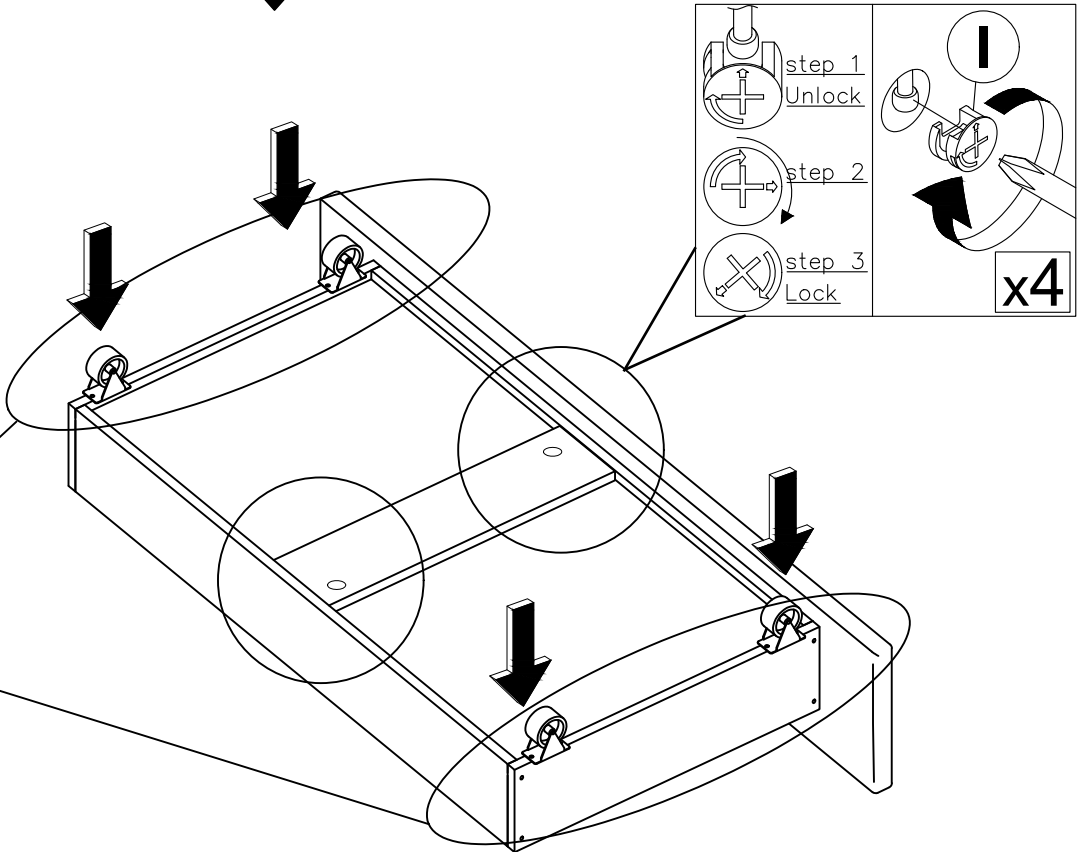
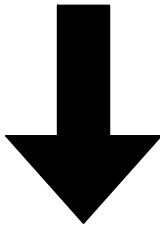
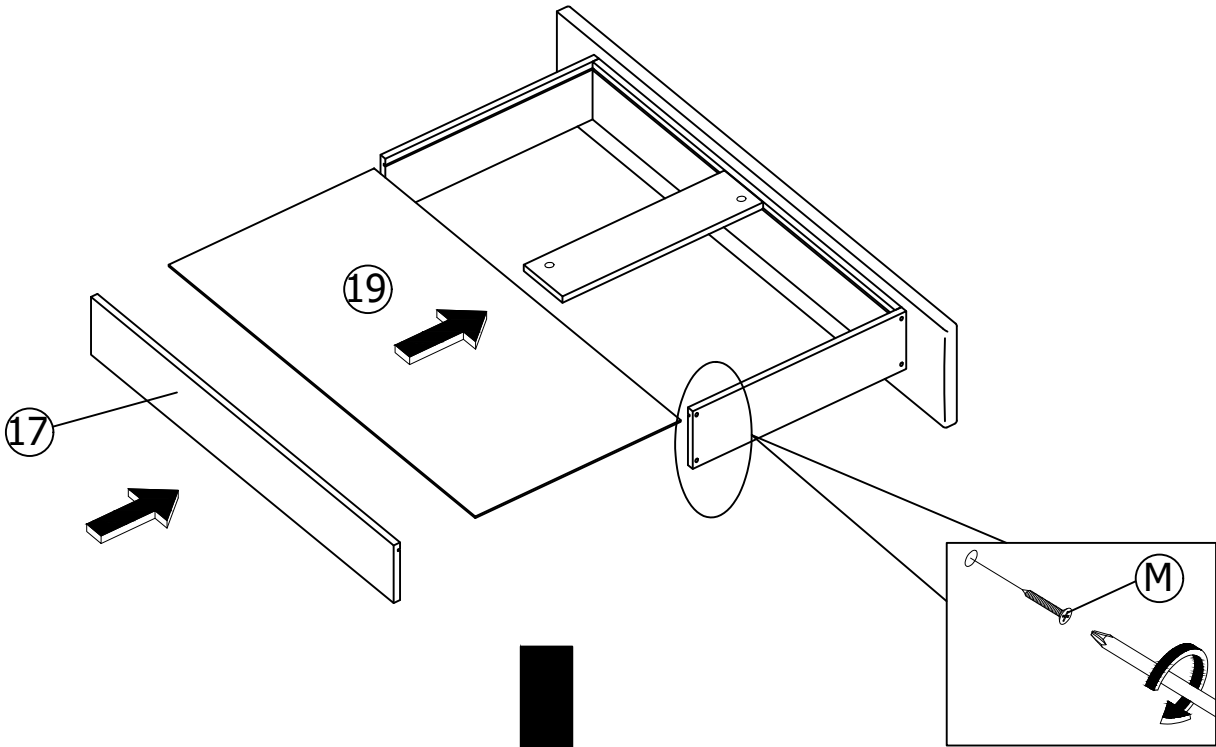
STEP 10

M

8pcs



STEP 11

I 	O 	K 	M 
4pcs	4pcs	16pcs	8pcs



STEP 12

