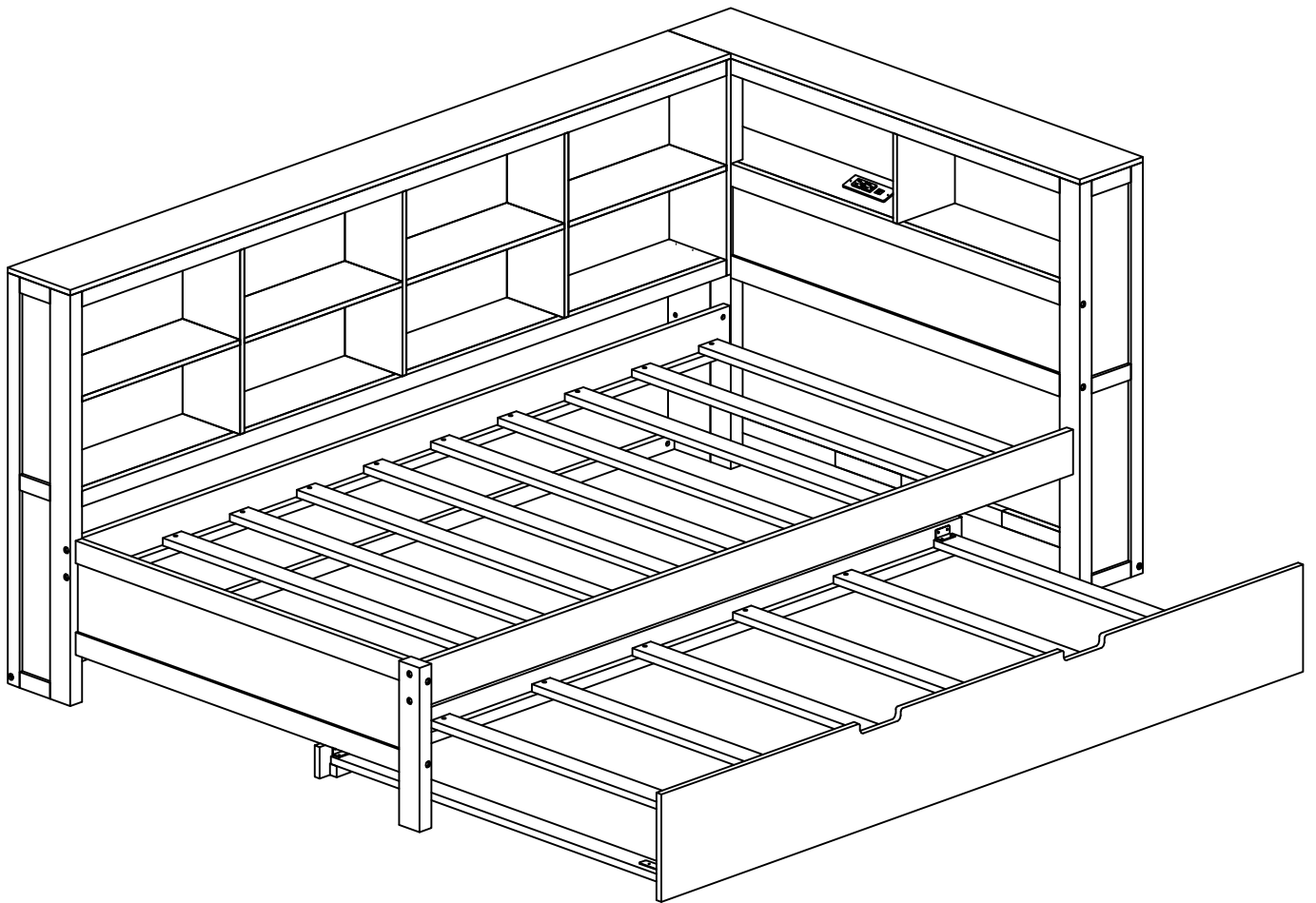
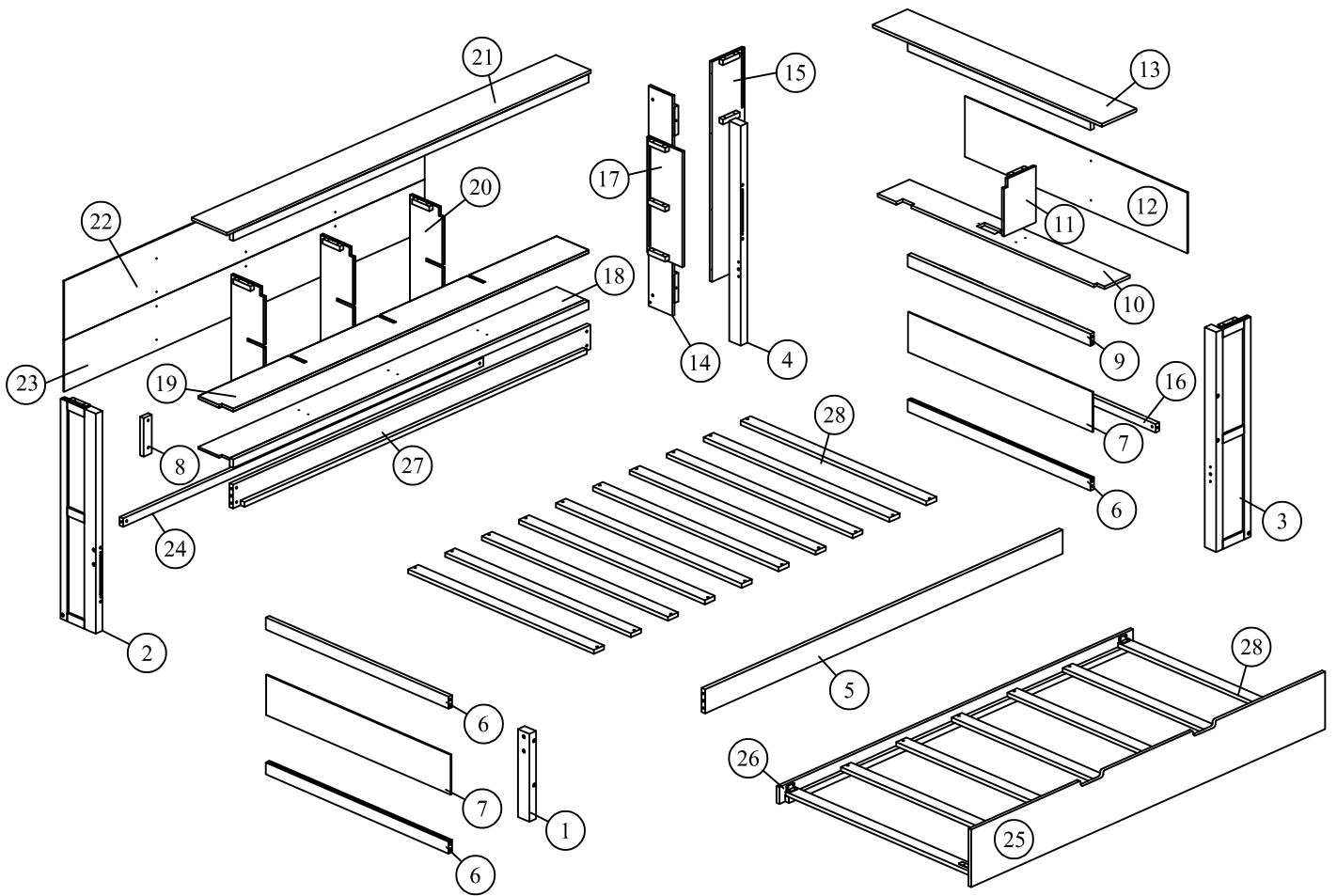


# ASSEMBLY INSTRUCTION


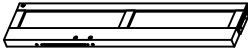
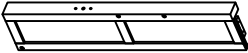
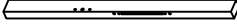
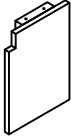
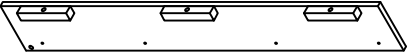
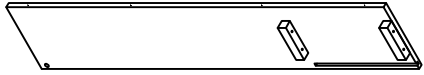
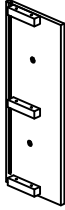
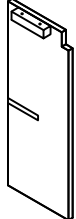
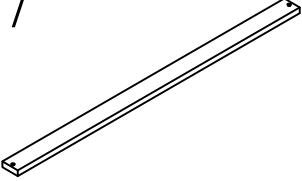
SKU CODE: WF314610/WF314611



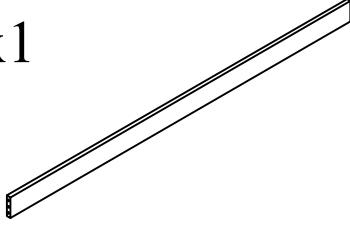
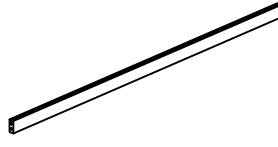
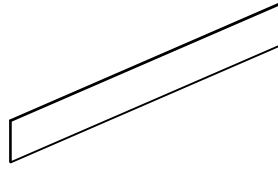

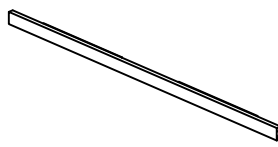
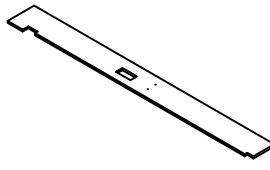
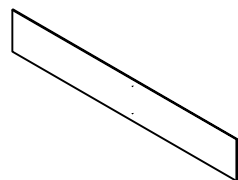
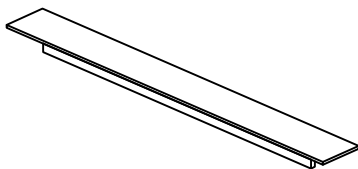
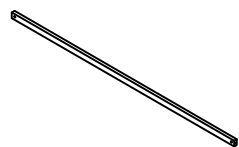
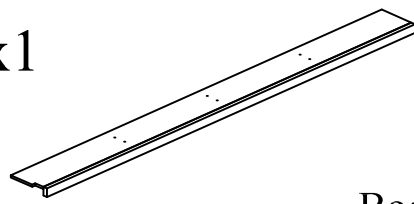
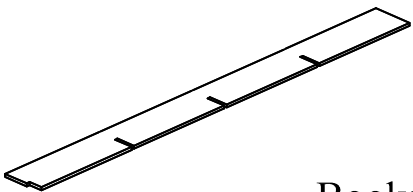
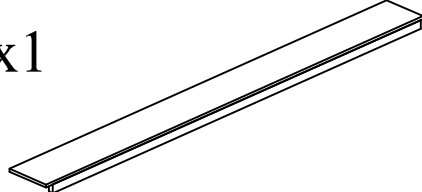
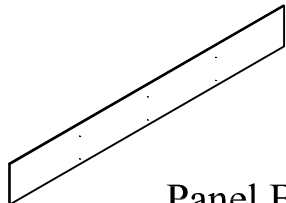
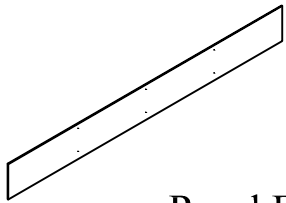
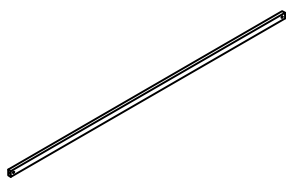
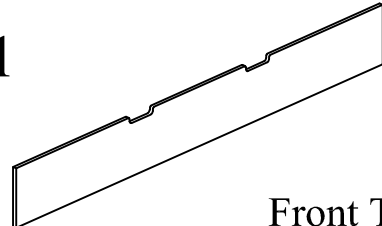
# Detail view



# Part List (WF314611)

<p>① x1</p>  <p>Leg Footboard</p>	<p>② x1</p>  <p>Leg Footboard</p>
<p>③ x1</p>  <p>Leg Headboard</p>	<p>④ x1</p>  <p>Leg Headboard</p>
<p>⑪ x1</p>  <p>Mid Bookshelf</p>	<p>⑭ x1</p>  <p>Frame Headboard Leg</p>
<p>⑮ x1</p>  <p>Frame Headboard Leg</p>	<p>⑰ x1</p>  <p>Side Bookshelf</p>
<p>⑳ x3</p>  <p>Mid Bookshelf</p>	<p>㉑ x7</p>  <p>Slats</p>

# Part List (WF314610)

<p>⑤ x1</p>  <p style="text-align: right;">Side rail</p>	<p>⑥ x3</p>  <p style="text-align: center;">Crossbar Footboard - Headboard</p>
<p>⑦ x2</p>  <p style="text-align: center;">Panel Footboard - Headboard</p>	<p>⑧ x1</p>  <p style="text-align: right;">Support Side rail</p>
<p>⑨ x1</p>  <p style="text-align: center;">Crossbar Headboard</p>	<p>⑩ x1</p>  <p style="text-align: center;">Bookshelf Headboard</p>
<p>⑫ x1</p>  <p style="text-align: center;">Panel Bookshelf Headboard</p>	<p>⑬ x1</p>  <p style="text-align: center;">Top Bookshelf Headboard</p>
<p>⑯ x1</p>  <p style="text-align: center;">Crossbar Bookshelf Headboard</p>	<p>⑱ x1</p>  <p style="text-align: right;">Bookshelf</p>
<p>⑲ x1</p>  <p style="text-align: center;">Bookshelf</p>	<p>⑳ x1</p>  <p style="text-align: center;">Top Bookshelf</p>
<p>㉑ x1</p>  <p style="text-align: center;">Panel Bookshelf</p>	<p>㉒ x1</p>  <p style="text-align: center;">Panel Bookshelf</p>
<p>㉓ x1</p>  <p style="text-align: center;">Crossbar Bookshelf</p>	<p>㉔ x1</p>  <p style="text-align: center;">Front Trundle</p>

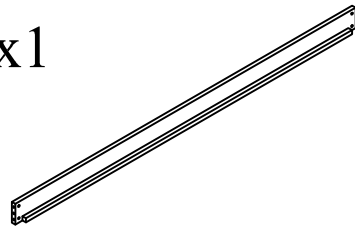
# Part List (WF314610)

26 x1



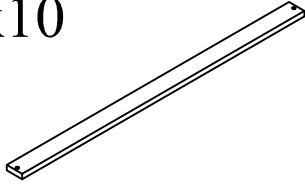
Back Trundle

27 x1




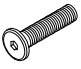
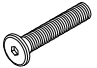


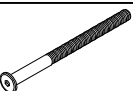
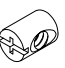






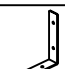



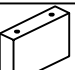
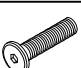
Side rail

28 x10

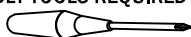


Slats

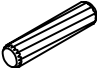



# Hardware List (WF314610)

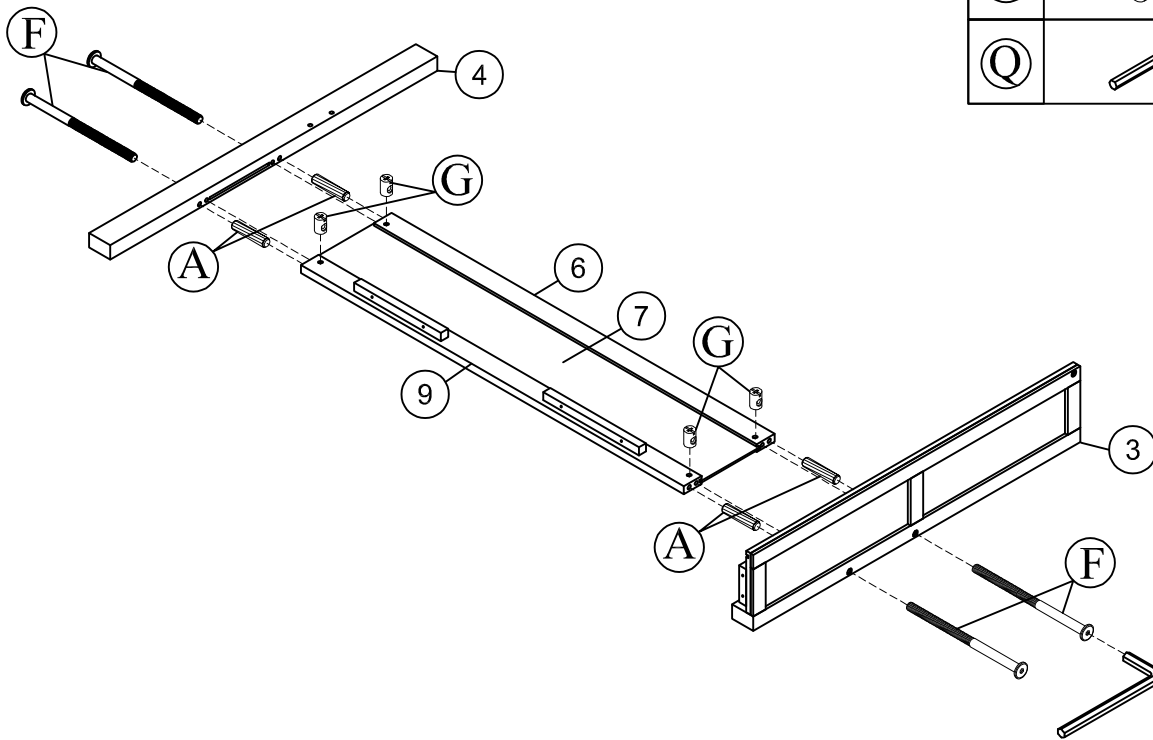
No.	OUTLOOK	DESC	QTY
(A)		Dowel Ø10*40mm	12
(B)		Bolts 1/4"*20mm	2
(C)		Bolts 1/4"*40mm	3
(D)		Bolts 1/4"*60mm	4
(E)		Bolts 1/4"*70mm	8
(F)		Bolts 1/4"*100mm	8
(G)		Cross dowel 1/4"*13mm	20
(H)		Screws #6*12mm	34
(I)		Screws #8*25mm	32
(J)		Screws #8*30mm	38
(K)		Screws #8*40mm	12
(L)		Round head screw #8*40mm	14
(M)		Wheels	4
(N)		Base L long	2
(O)		Base L small	2
(P)		Power outlet	1
(Q)		Allen key 60*22*4mm	1
(R)		Wood stops	2
(S)		Bolts 1/4"*30mm	2

ASSEMBLY TOOLS REQUIRED (NOT INCLUDED)

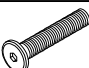



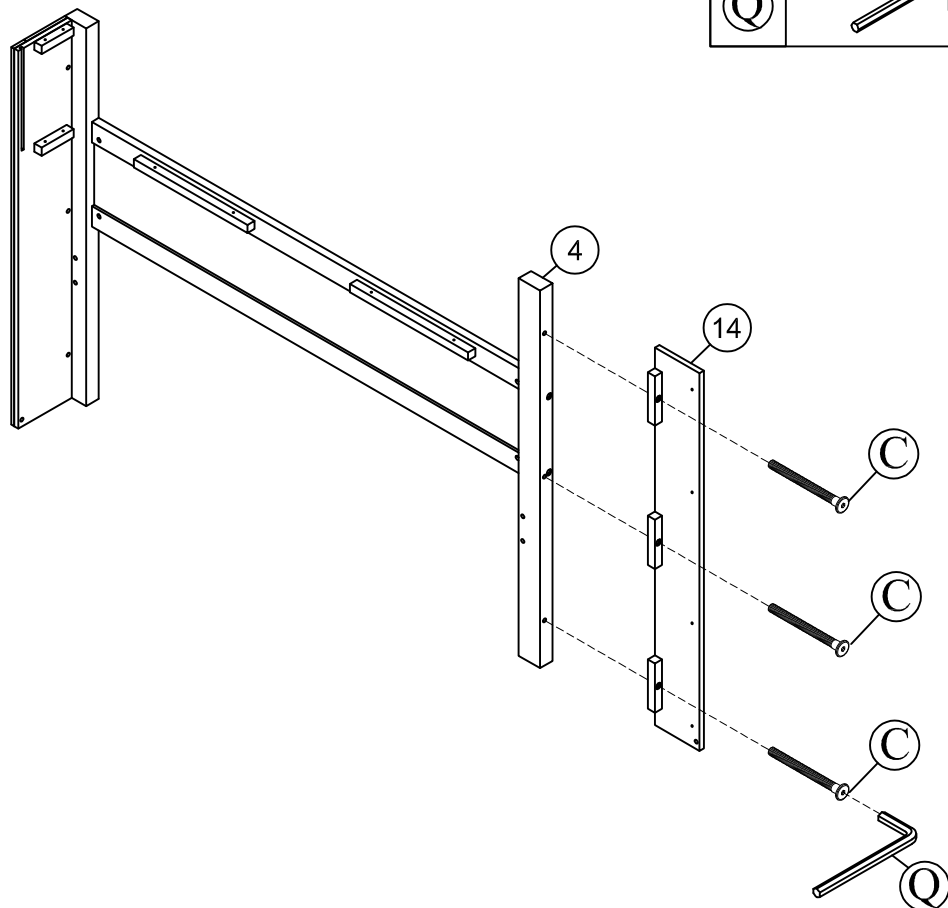
STEP 1:

(A)		04
(F)		04
(G)		04
(Q)		01




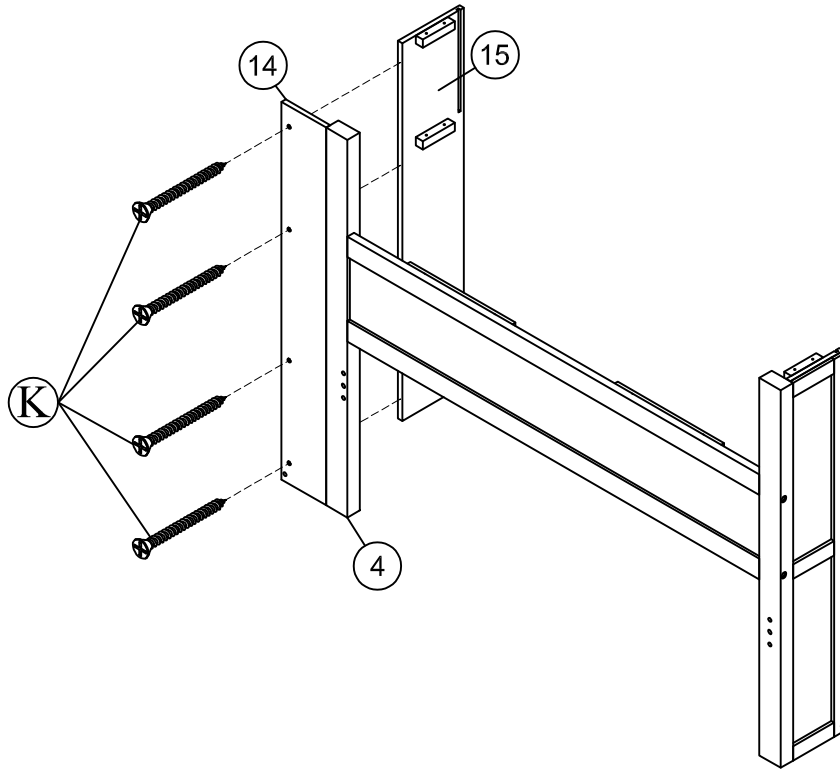
STEP 2:

(C)		03
(Q)		01






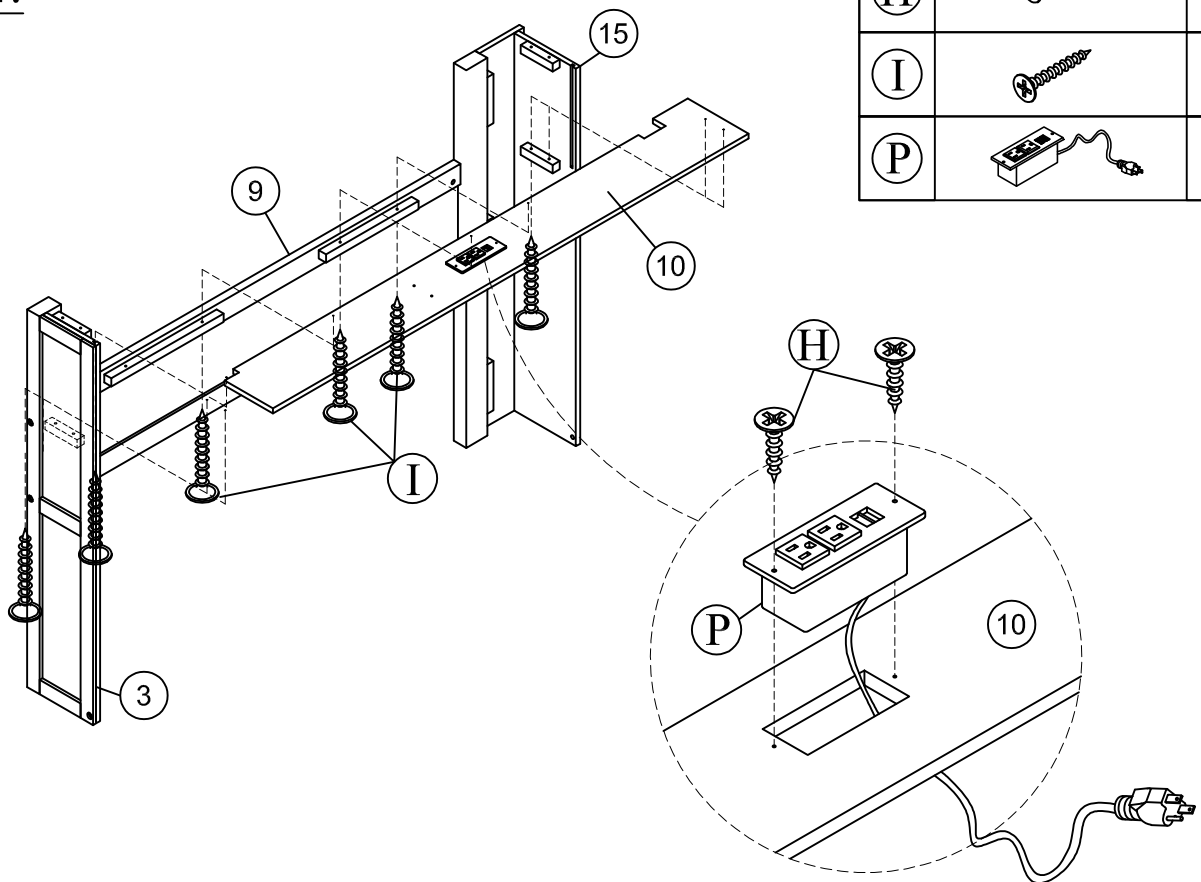
STEP 3:

(K)		04
-----	--	----




STEP 4:

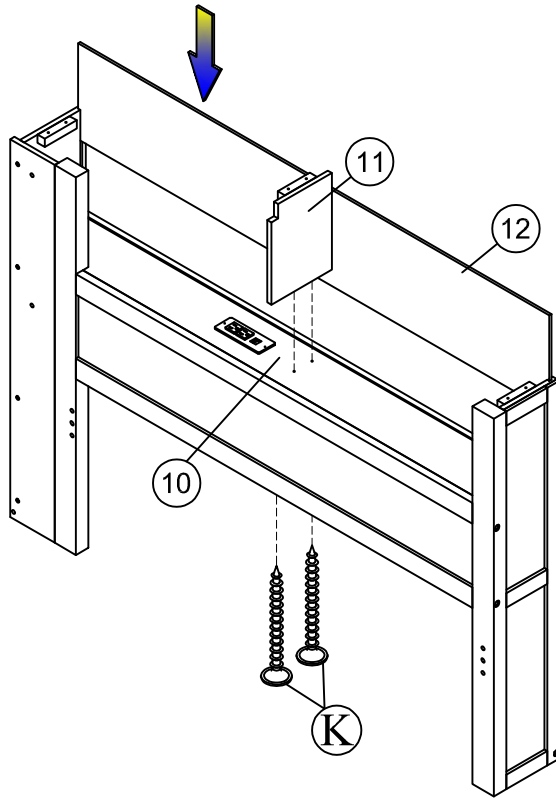
(H)		02
(I)		08
(P)		01






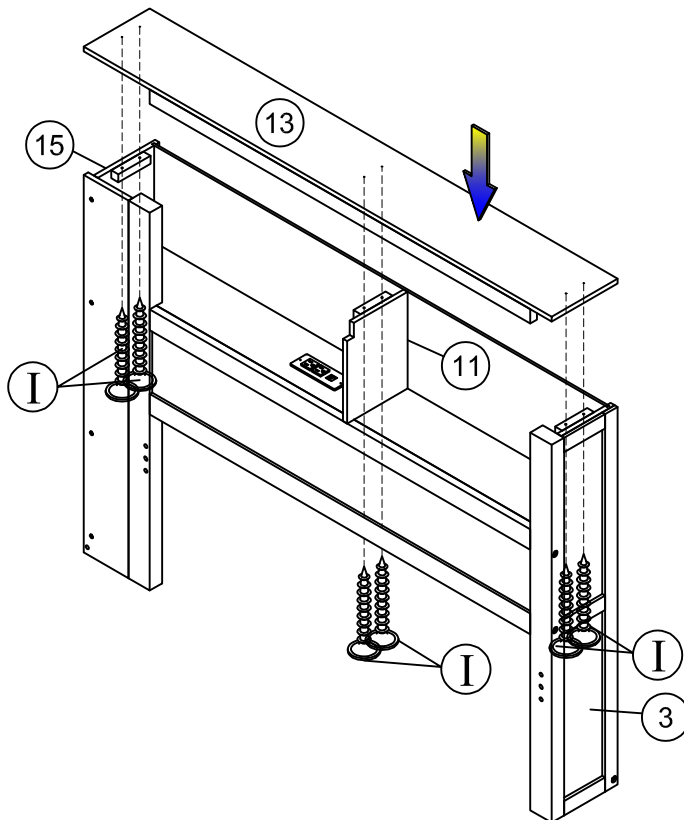
STEP 5:

Ⓚ		02
---	--	----

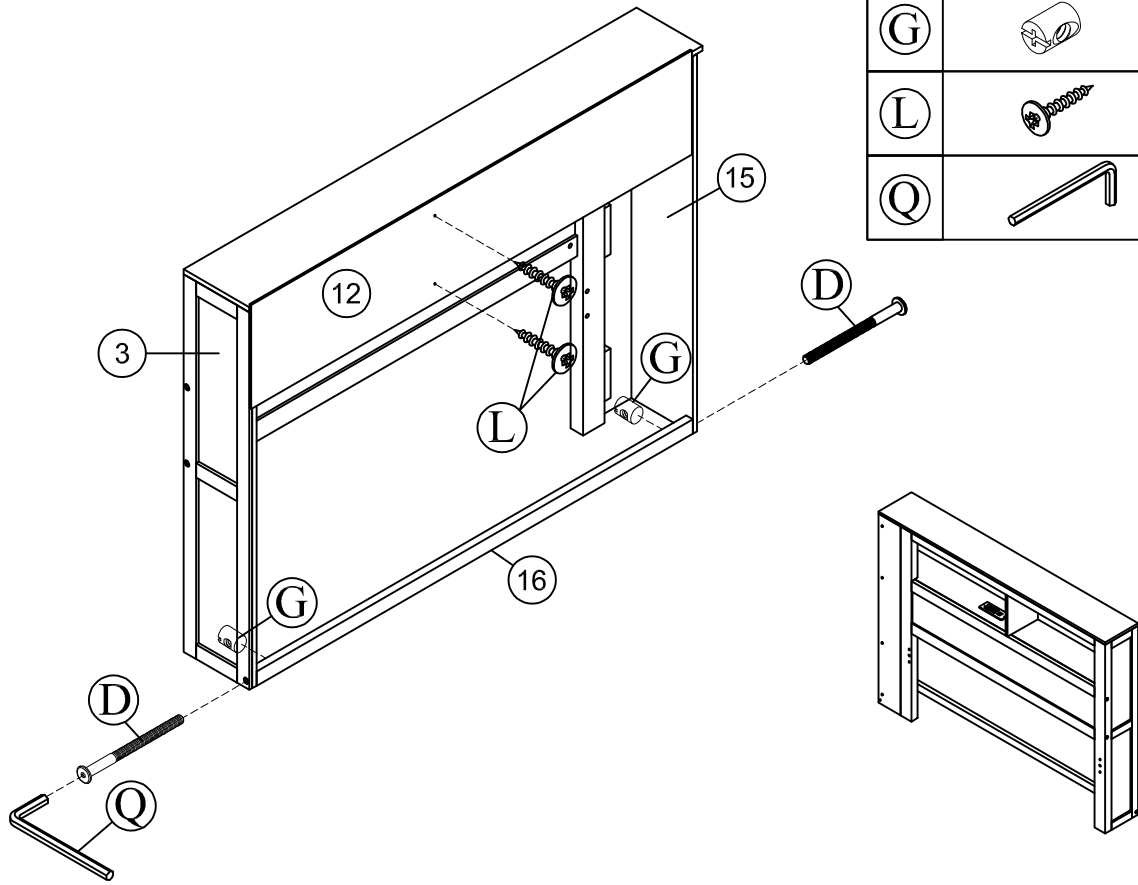


STEP 6:

Ⓢ		06
---	---	----

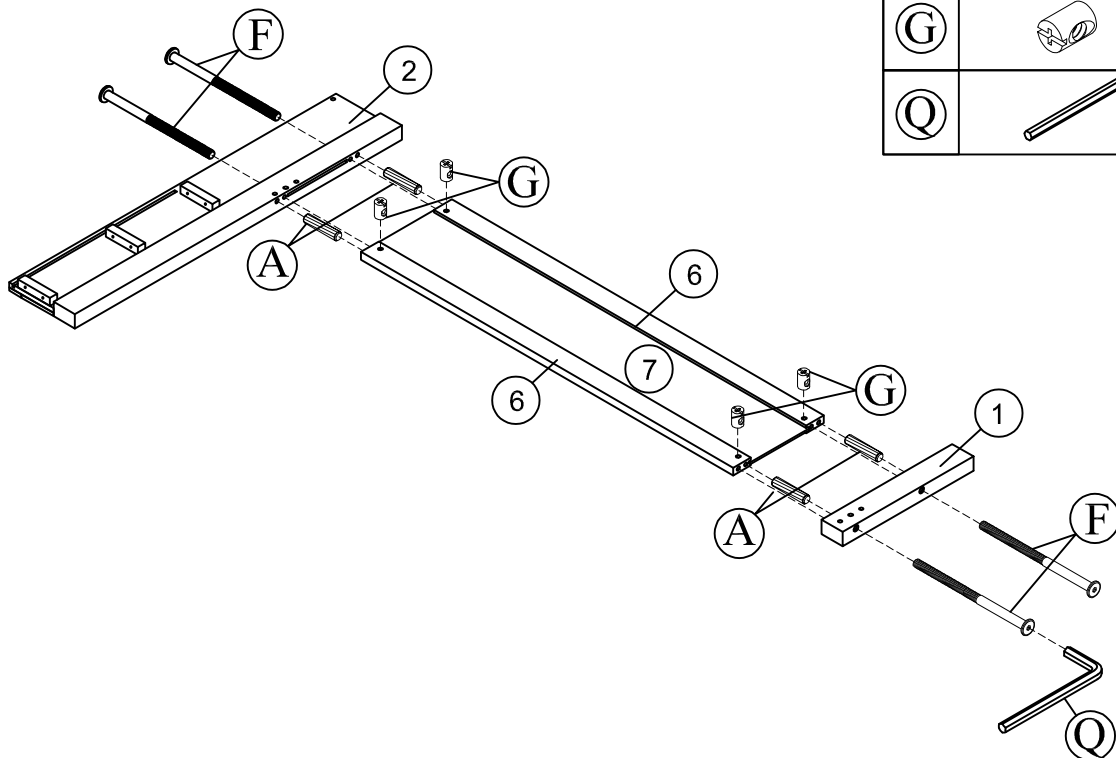


# STEP 7:

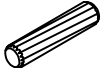





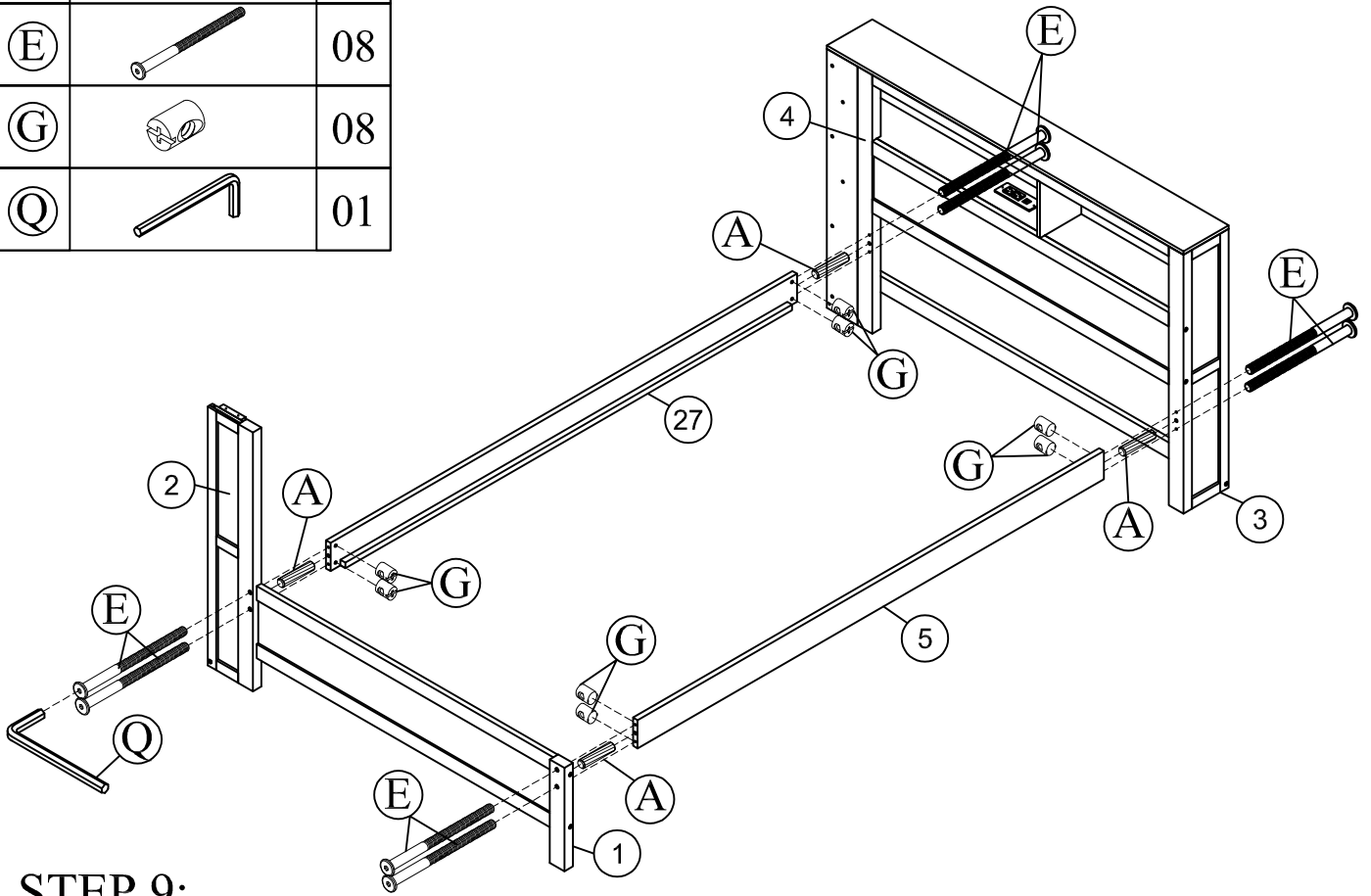
(D)		02
(G)		02
(L)		02
(Q)		01

# STEP 8:



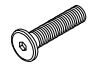

(A)		04
(F)		04
(G)		04
(Q)		01

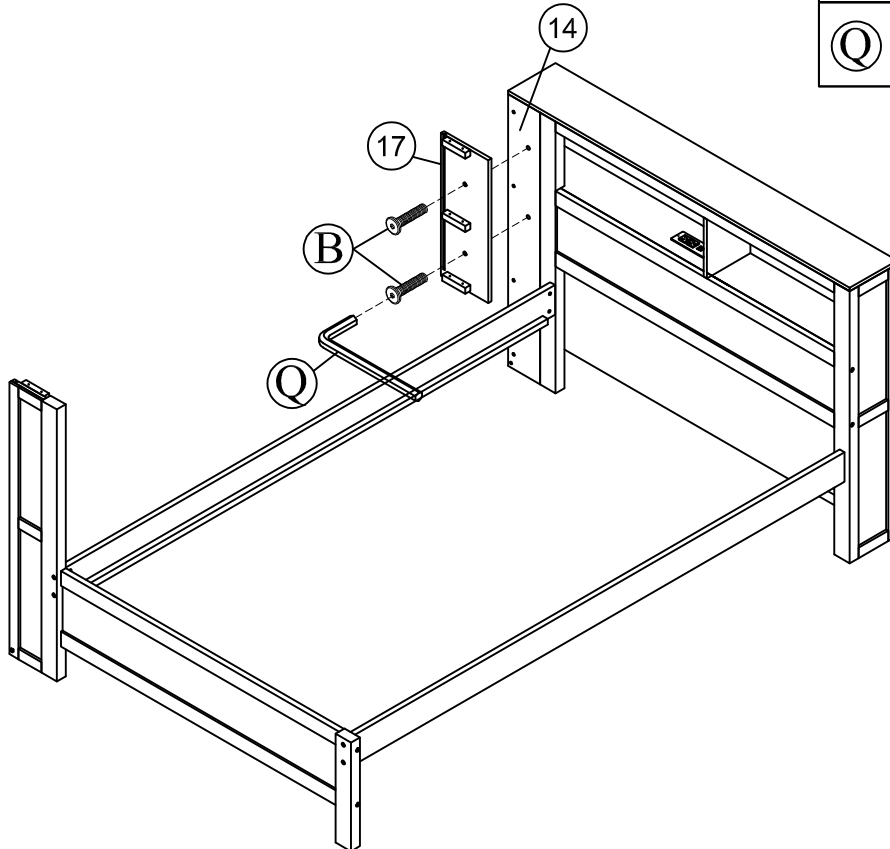
(A)		04
(E)		08
(G)		08
(Q)		01



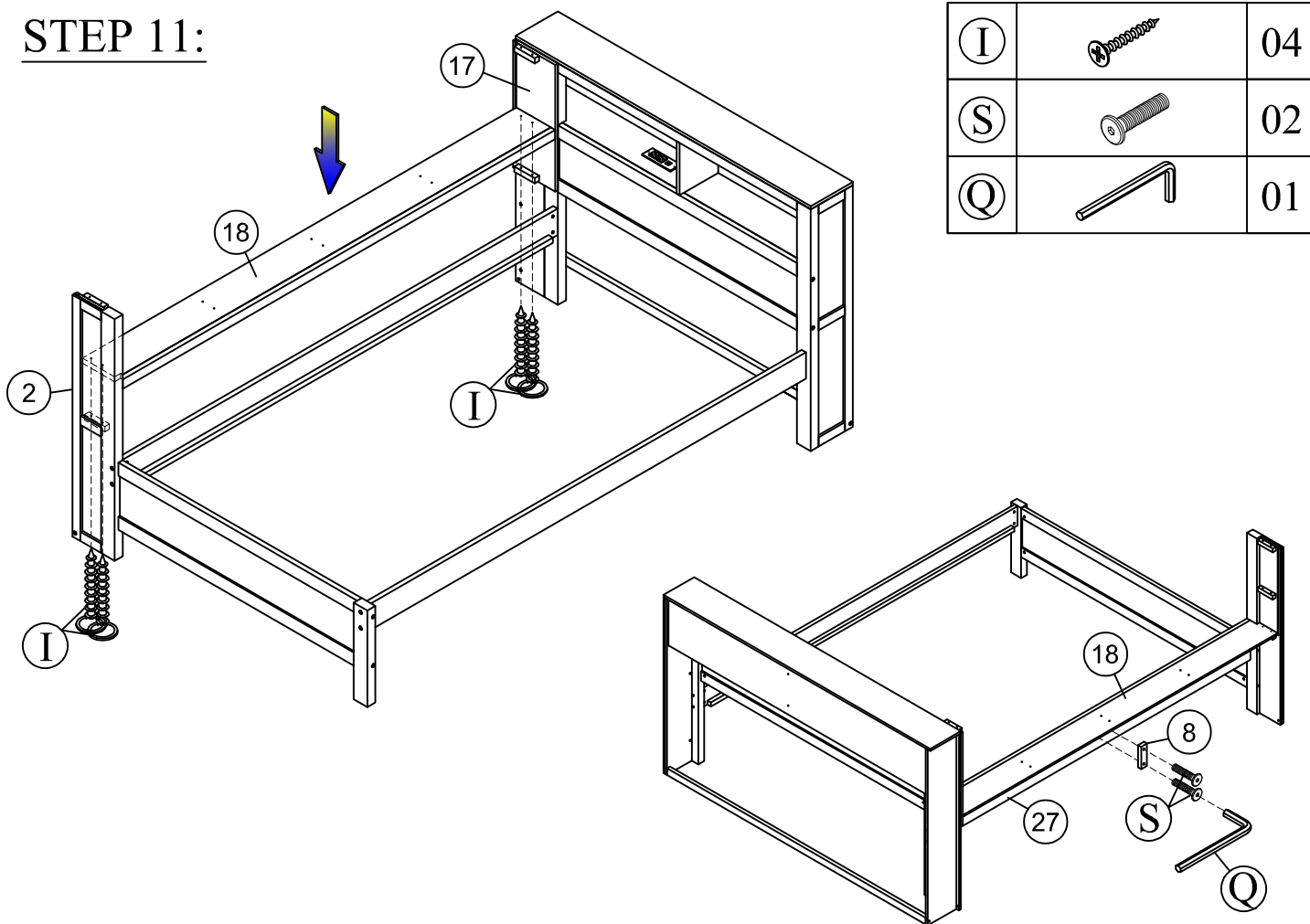
**STEP 9:**


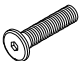

**STEP 10:**

(B)		02
(Q)		01

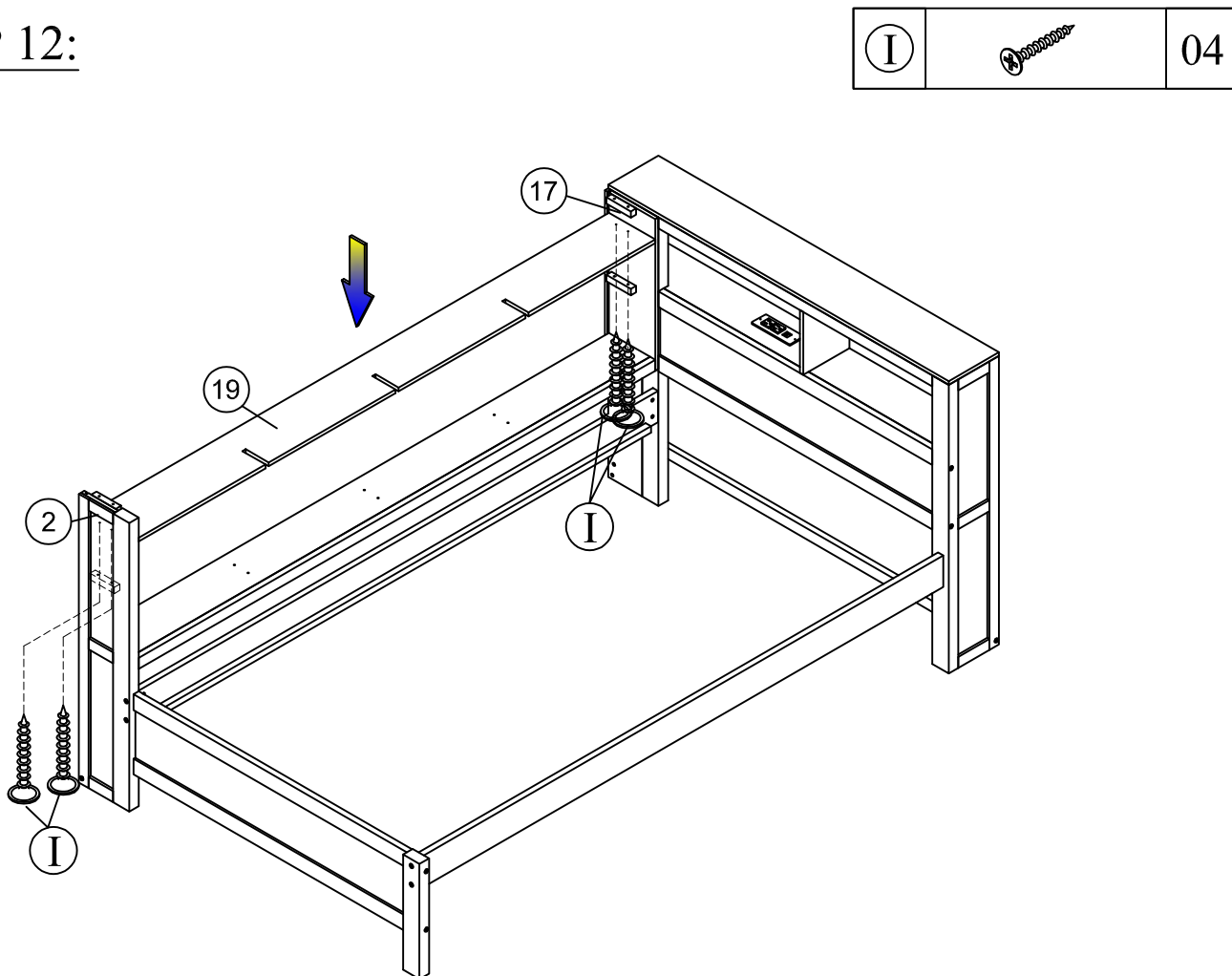



# STEP 11:



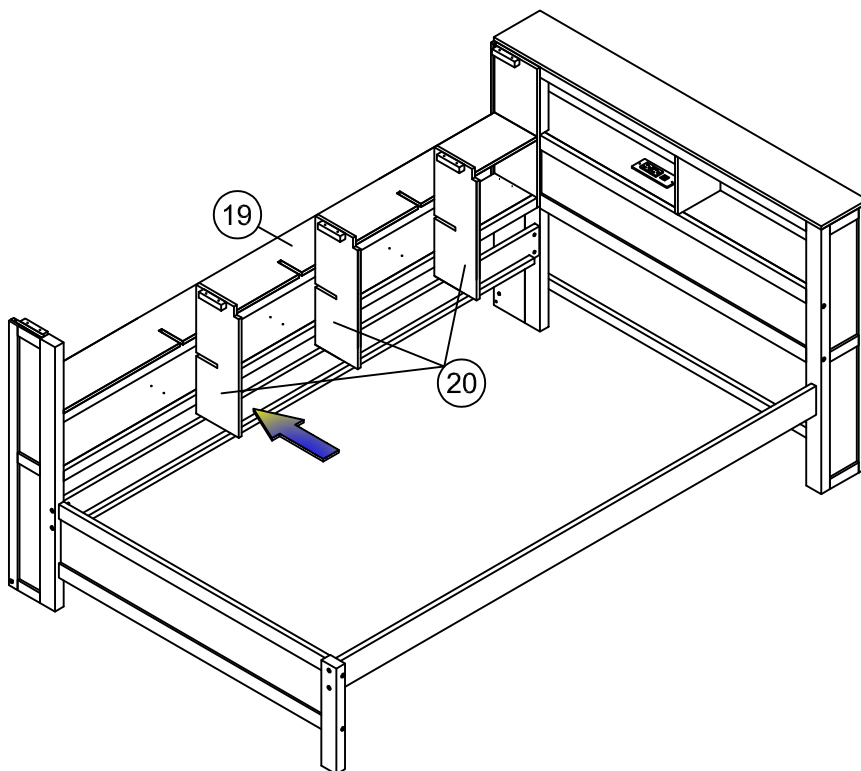
(I)		04
(S)		02
(Q)		01

# STEP 12:

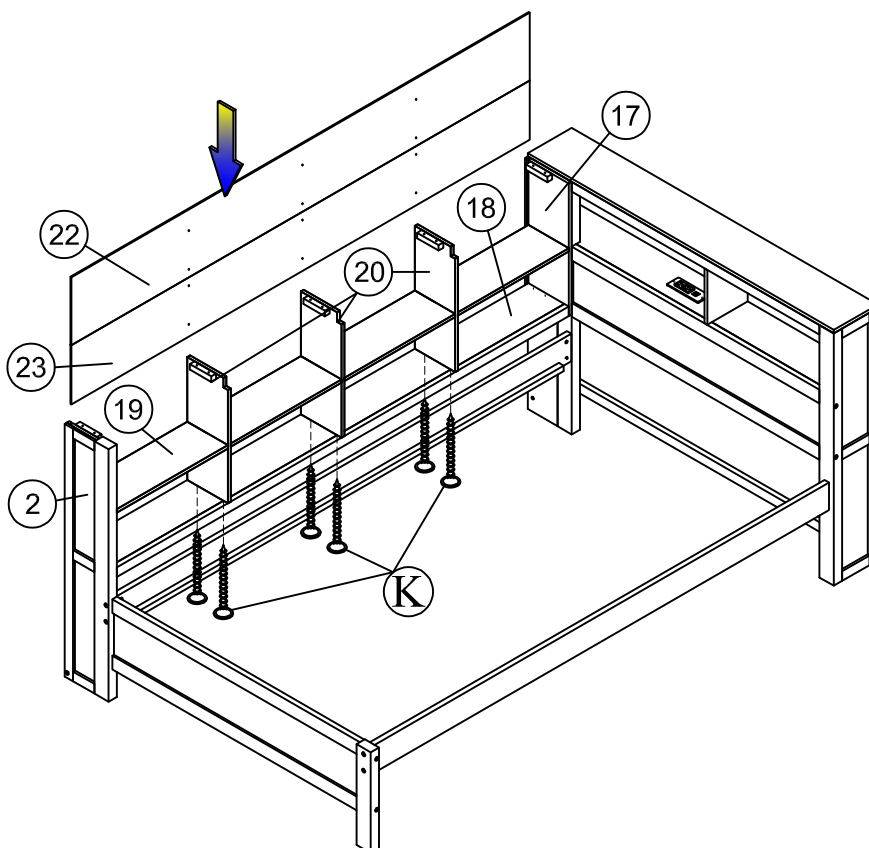
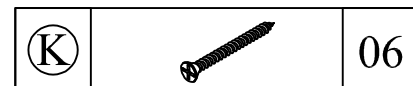


(I)		04
-----	---	----


## STEP 13:

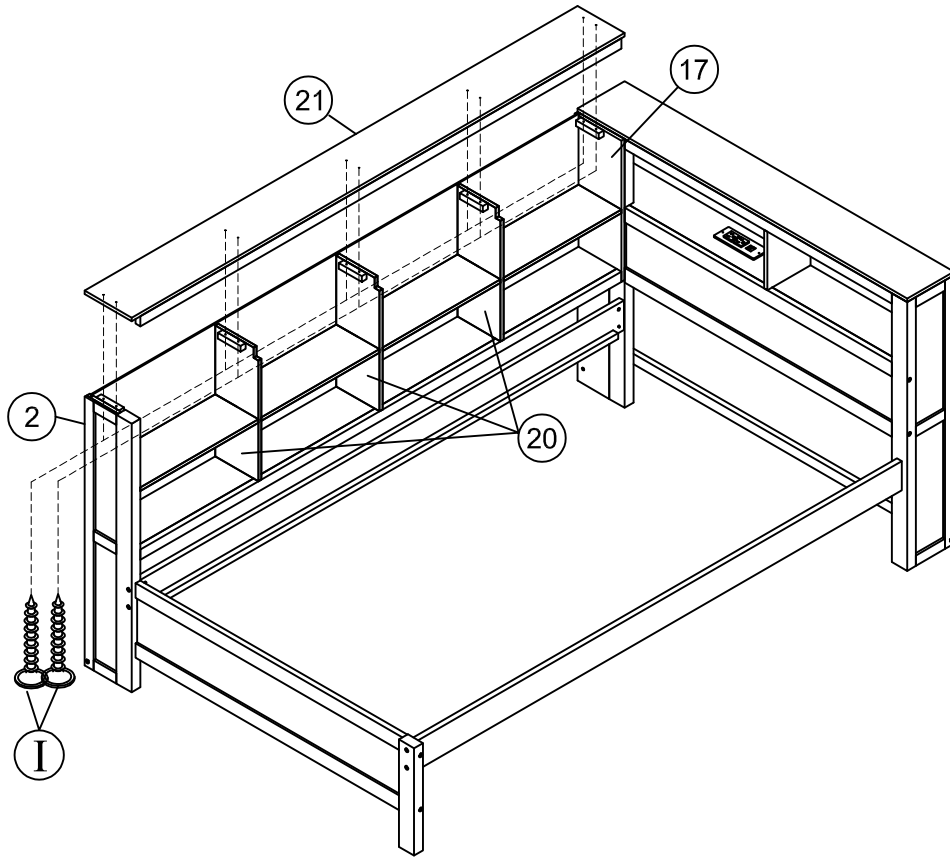


## STEP 14:

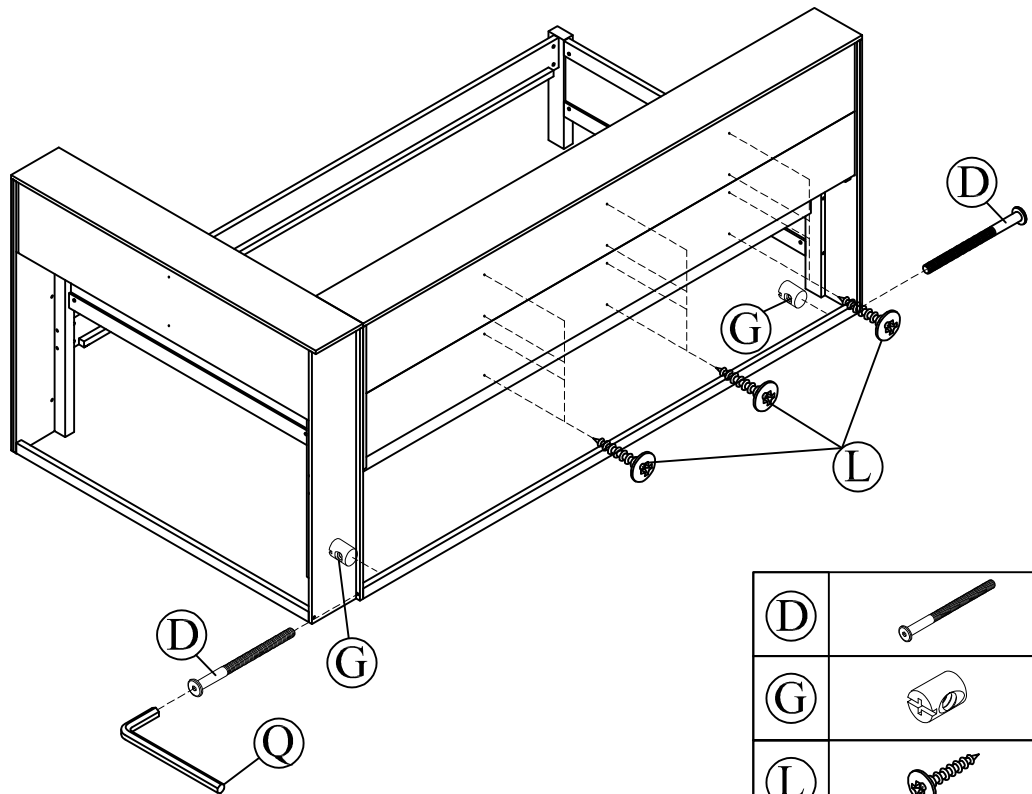






STEP 15:

I		10
---	--	----





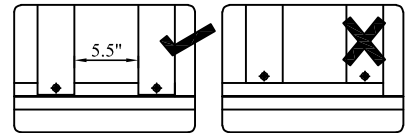
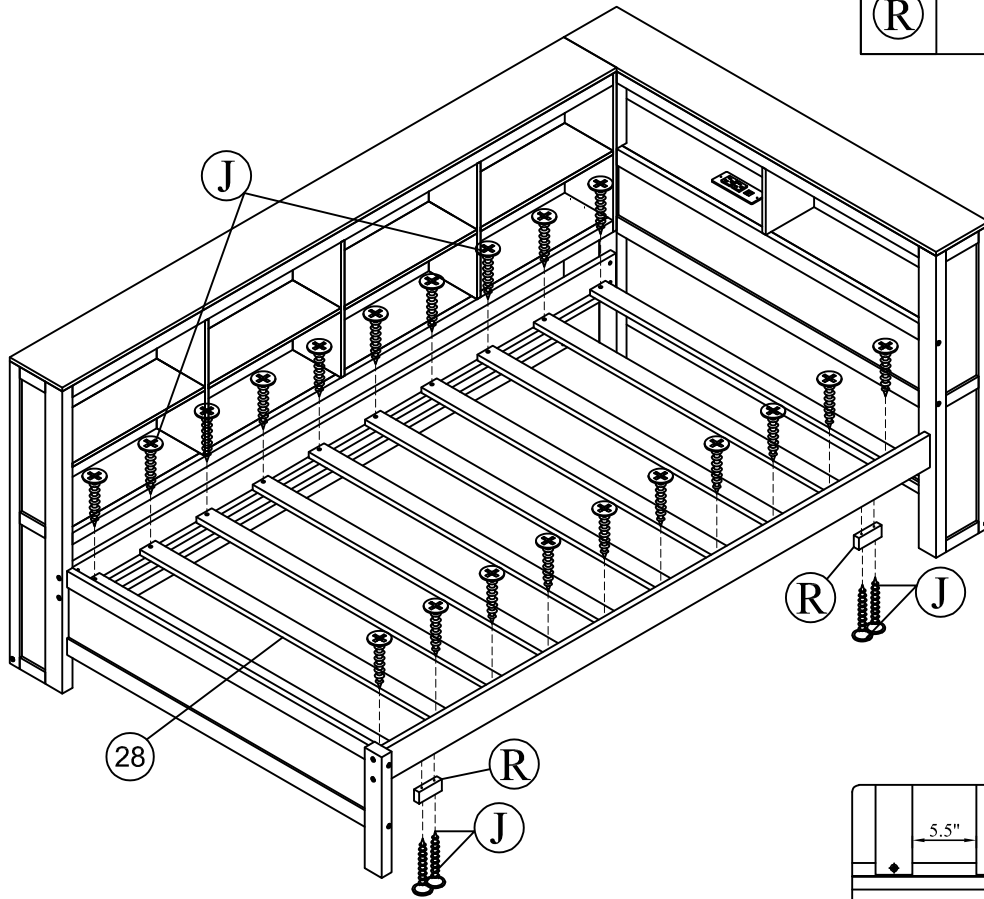
STEP 16:





D		02
G		02
L		12
Q		01

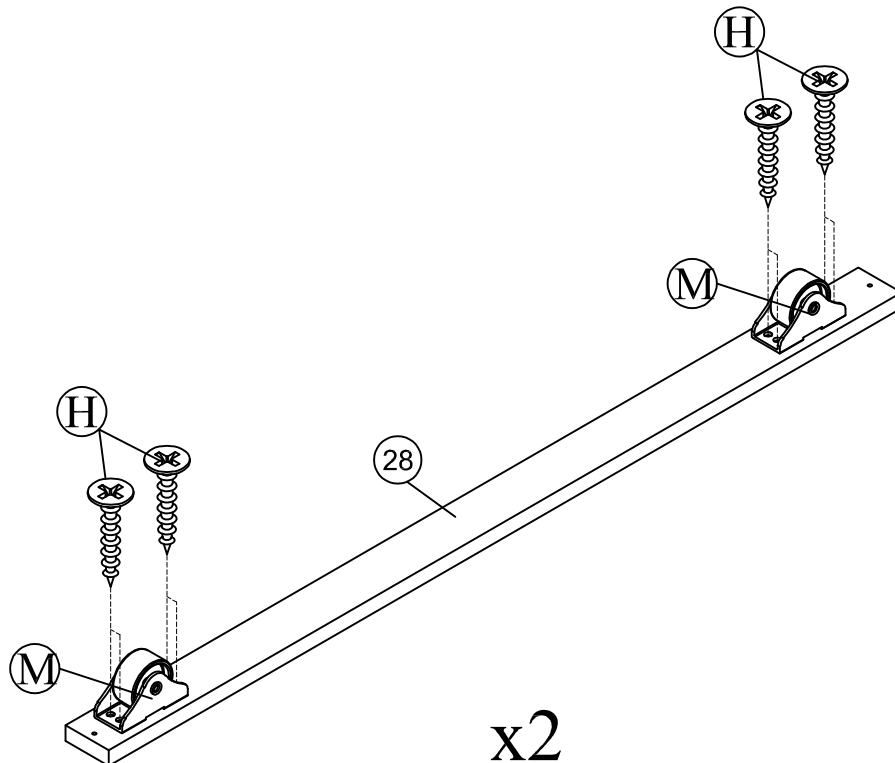
# STEP 17:

(J)		24
(R)		02




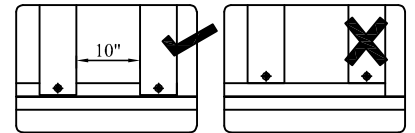
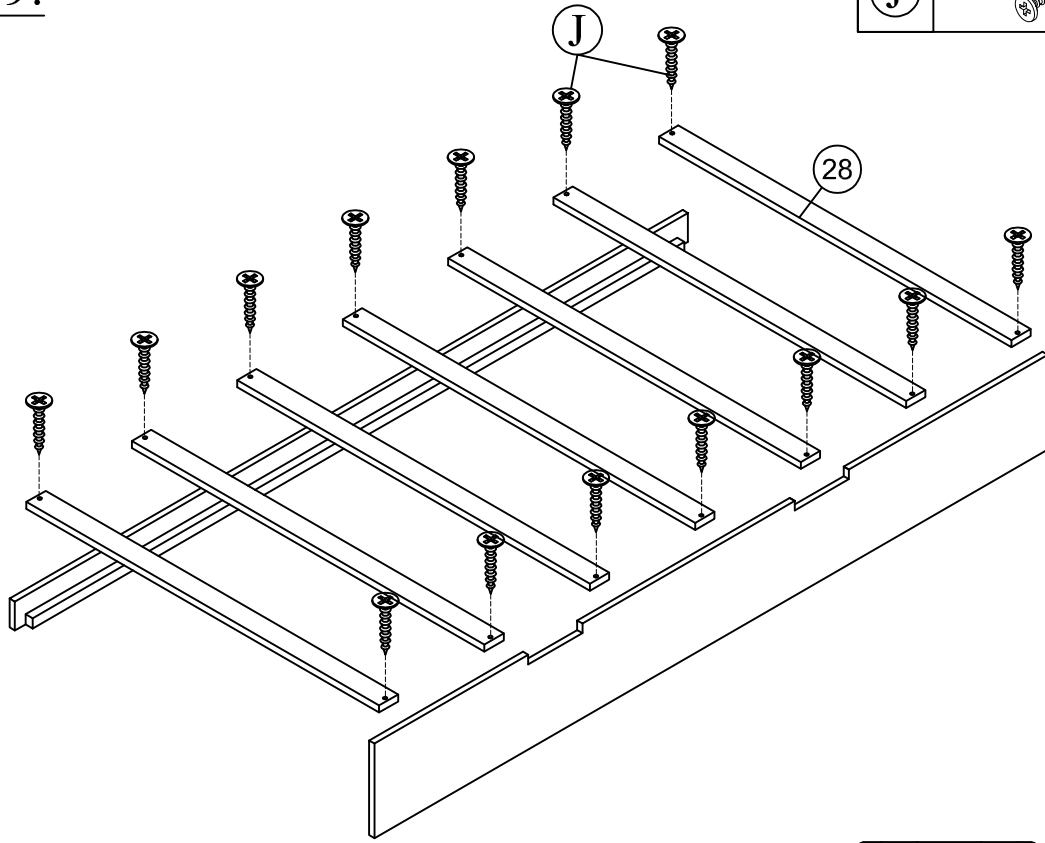
# STEP 18:

(H)		16
(M)		04


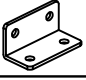



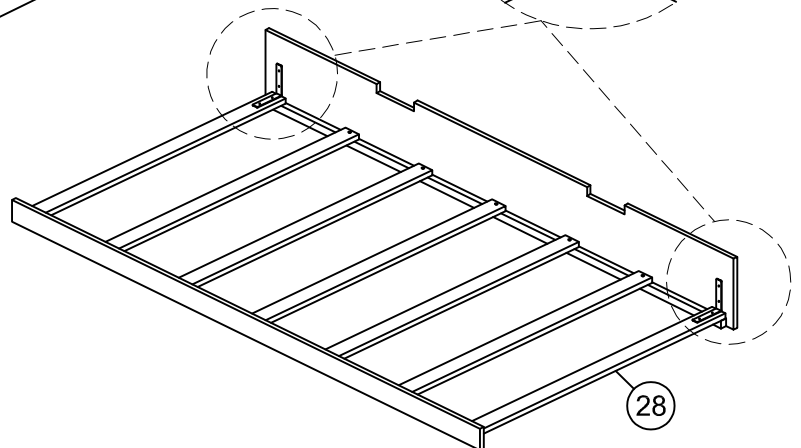
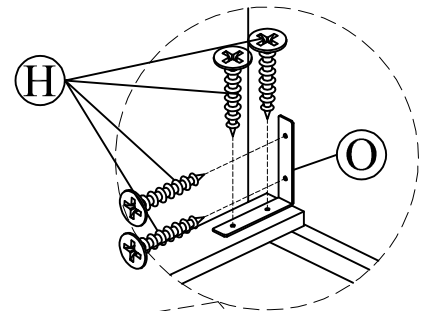
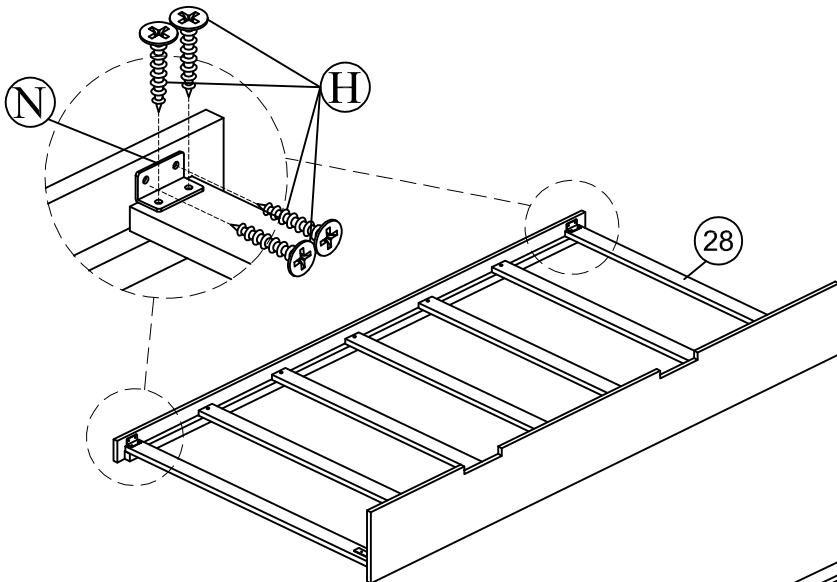
# STEP 19:

(J)		14
-----	--	----



# STEP 20:

(H)		16
(N)		02
(O)		02





FINAL:

