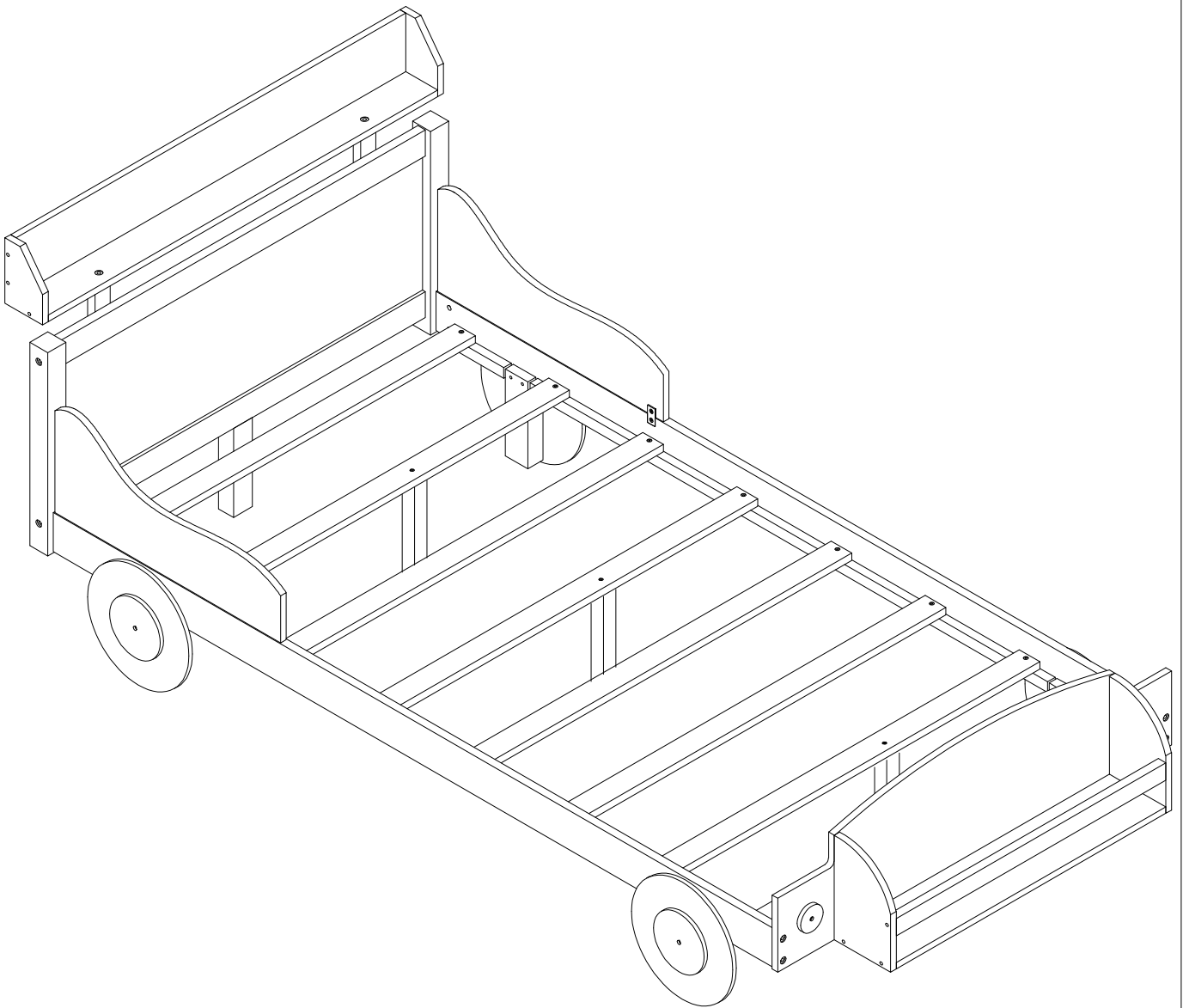


ASSEMBLY INSTRUCTION

SKU CODE: (WF312486)



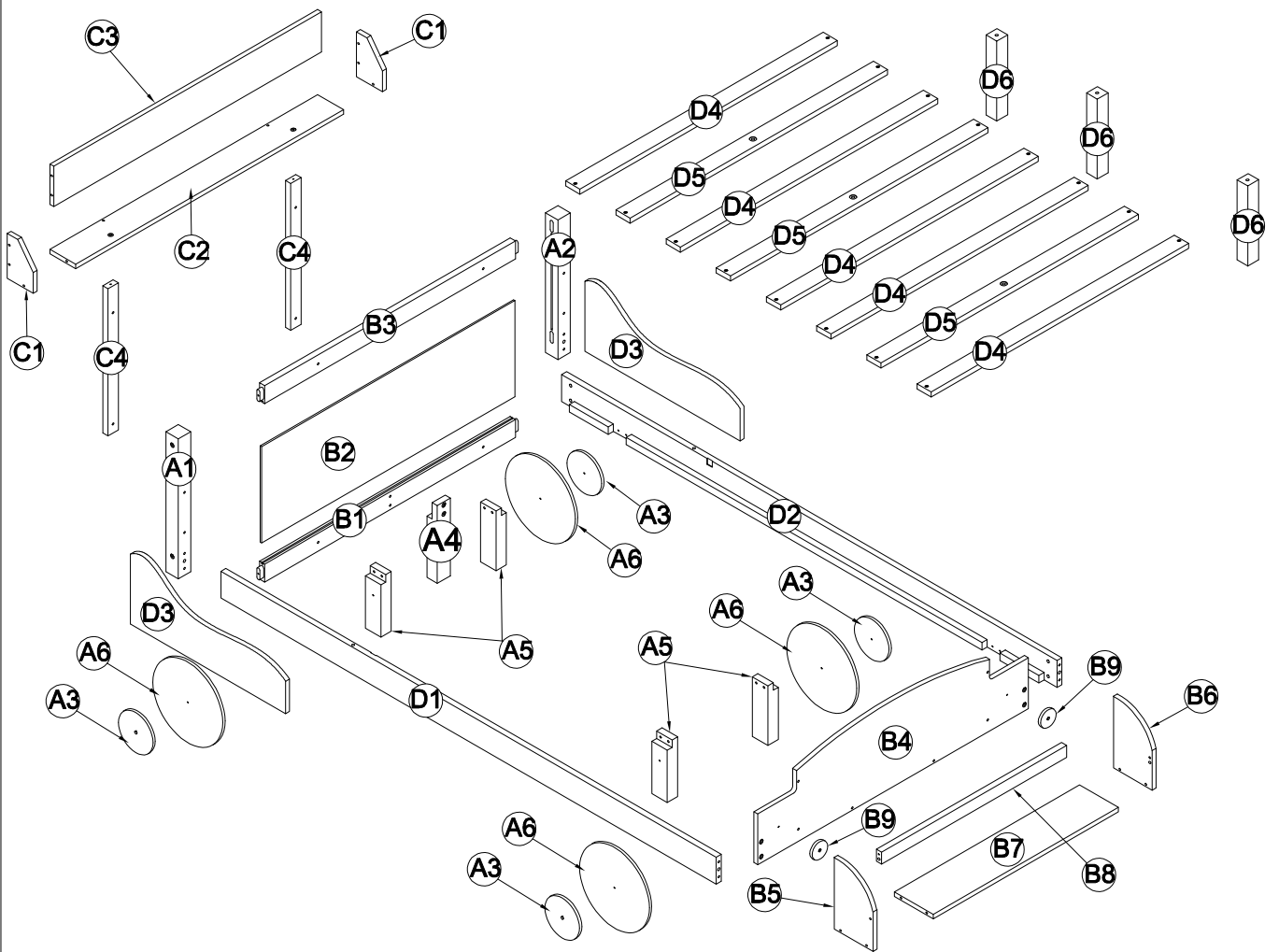
SAFETY WARNINGS AND GENERAL NOTES:

1. Do not use substitute parts. Contact the manufacturer or dealer for replacement parts.
2. Keep these instructions for future reference.
3. We recommend assembling your bed on the shipping carton to protect your floor or carpet.
4. Be certain all staples are out of the box before beginning assembly on the shipping carton.



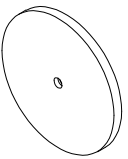
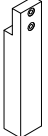
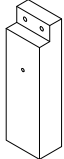
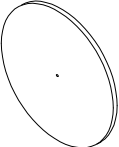
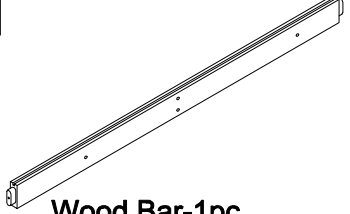
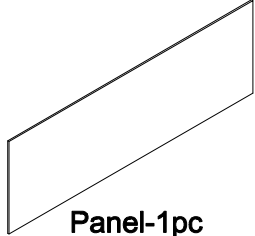

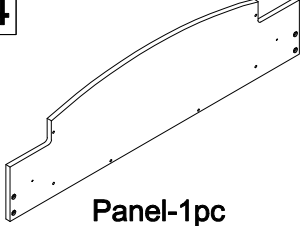
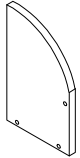
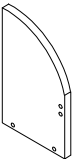
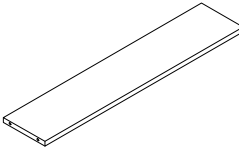

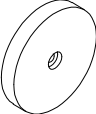
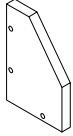
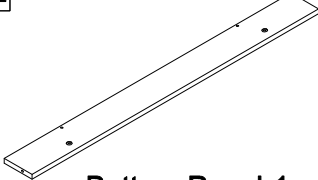
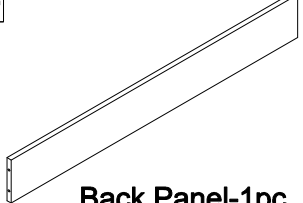

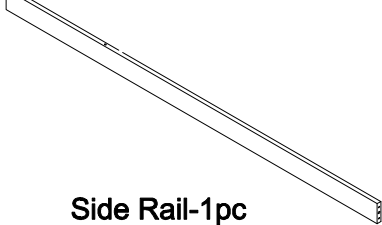
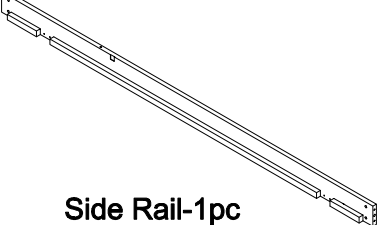
5.Replacement Parts:

Replacement Parts, including additional guardrails, may be obtained from any of our (GIGACLOUD TECHNOLOGY (USA) INC.) dealers

ASSEMBLY INSTRUCTION

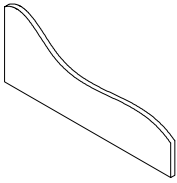


Part List (Box -WF312486)

<p>A1</p>  <p>Leg-1pc</p>	<p>A2</p>  <p>Leg-1pc</p>	<p>A3</p>  <p>Small Wood Wheels-4pcs</p>
<p>A4</p>  <p>Support Wood Bar-1pc</p>	<p>A5</p>  <p>Support Side Rails-4pcs</p>	<p>A6</p>  <p>Big Wood Wheels-4pcs</p>
<p>B1</p>  <p>Wood Bar-1pc</p>	<p>B2</p>  <p>Panel-1pc</p>	<p>B3</p>  <p>Wood Bar-1pc</p>
<p>B4</p>  <p>Panel-1pc</p>	<p>B5</p>  <p>Side Panel-1pc</p>	<p>B6</p>  <p>Side Panel-1pc</p>
<p>B7</p>  <p>Bottom Panel-1pc</p>	<p>B8</p>  <p>Wood Bar-1pc</p>	<p>B9</p>  <p>Small Wood Wheels-2pcs</p>
<p>C1</p>  <p>Side Panels-2pcs</p>	<p>C2</p>  <p>Bottom Panel-1pc</p>	<p>C3</p>  <p>Back Panel-1pc</p>
<p>C4</p>  <p>Vetical Bars-2pcs</p>	<p>D1</p>  <p>Side Rail-1pc</p>	<p>D2</p>  <p>Side Rail-1pc</p>

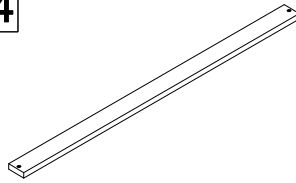
Part List (Box -WF312486)

D3



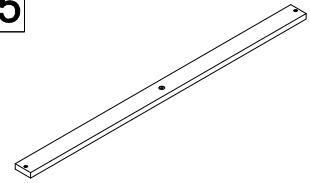
Side Panels-2pcs

D4



Slats-5pcs

D5




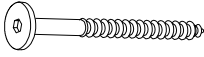
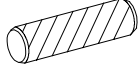
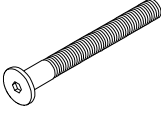

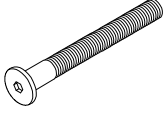
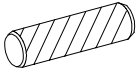

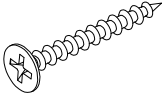
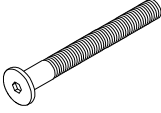
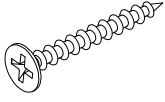
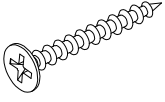

Slats-3pcs

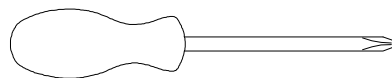
D6



Support Slats-3pcs

Hardware List

<p>1</p>  <p>Screws 1/4"x35 22pcs</p>	<p>2</p>  <p>Screws 1/4"x70 4pcs</p>	<p>3</p>  <p>Ø10 x 40 mm Wood dowel 4pcs</p>
<p>4</p>  <p>Ø1/4" x 90 mm Hex-Head bolts 4pcs</p>	<p>5</p>  <p>Ø1/4" x 13 mm Horizontal-Hole bolts 8pcs</p>	<p>6</p>  <p>Ø1/4" x 60 mm Hex-Head bolts 8pcs</p>
<p>7</p>  <p>Ø8 x 30 mm Wood dowel 4pcs</p>	<p>8</p>  <p>Steel Bracket 2pcs</p>	<p>9</p>  <p>M4 x 15 mm Wood Screws 4pcs</p>
<p>10</p>  <p>Ø1/4" x 30 mm Hex-Head bolts 22pcs</p>	<p>11</p>  <p>M4 x 20 mm Wood Screws 2pcs</p>	<p>12</p>  <p>M4 x 30 mm Wood Screws 16pcs</p>
<p>13</p>  <p>Allen Key 1pc</p>		



Assembly Tools Required (Not Included)

STEP 1: Following below illustration:

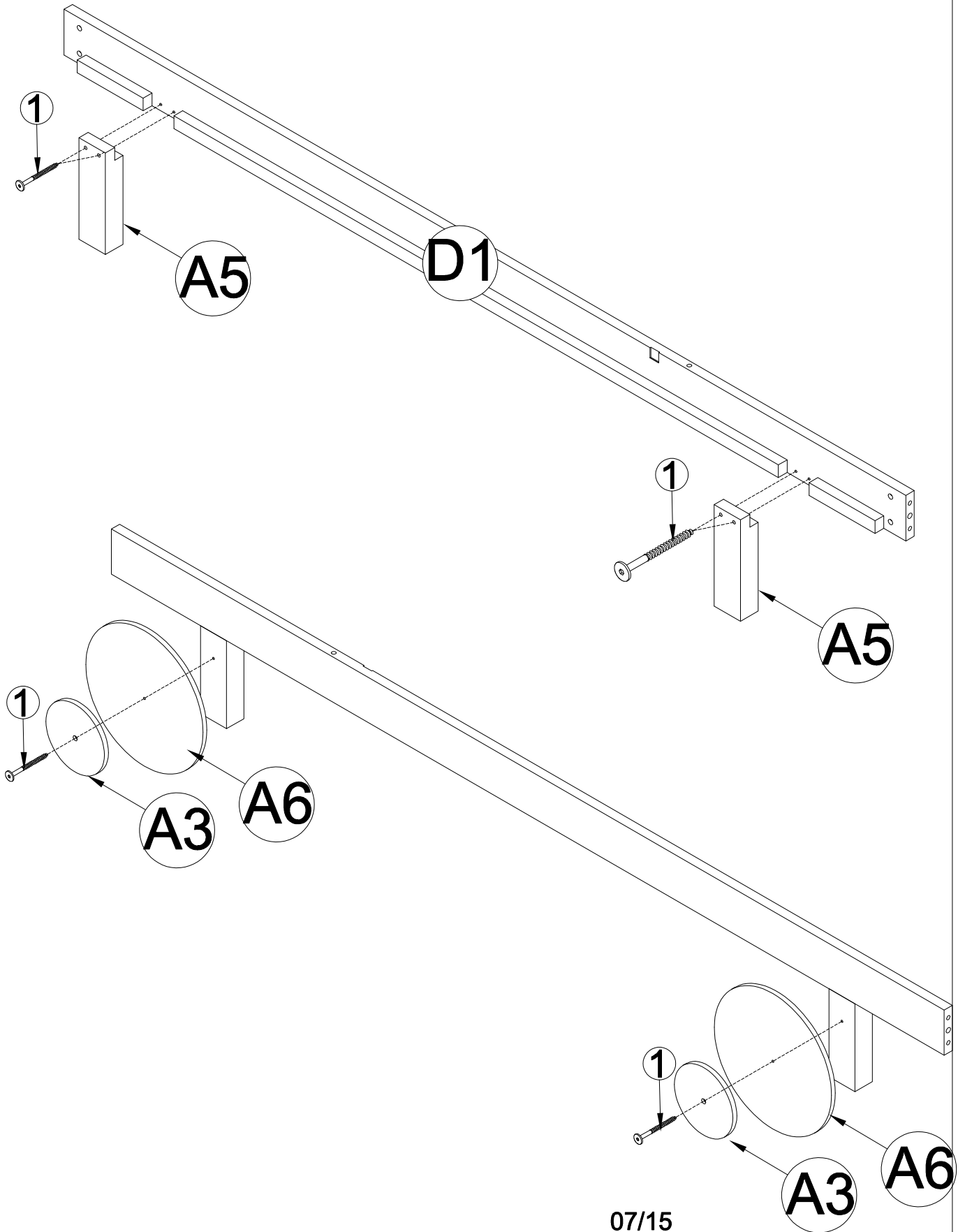
1.1: Using hardware #1 connect A5(x2) Legs with D1 Side Rail

1.2: Using hardware #1 connect A3(x2), A6(x2) Legs with Frame (completed on step 1.1)

1



6pcs



STEP 2: Following below illustration:

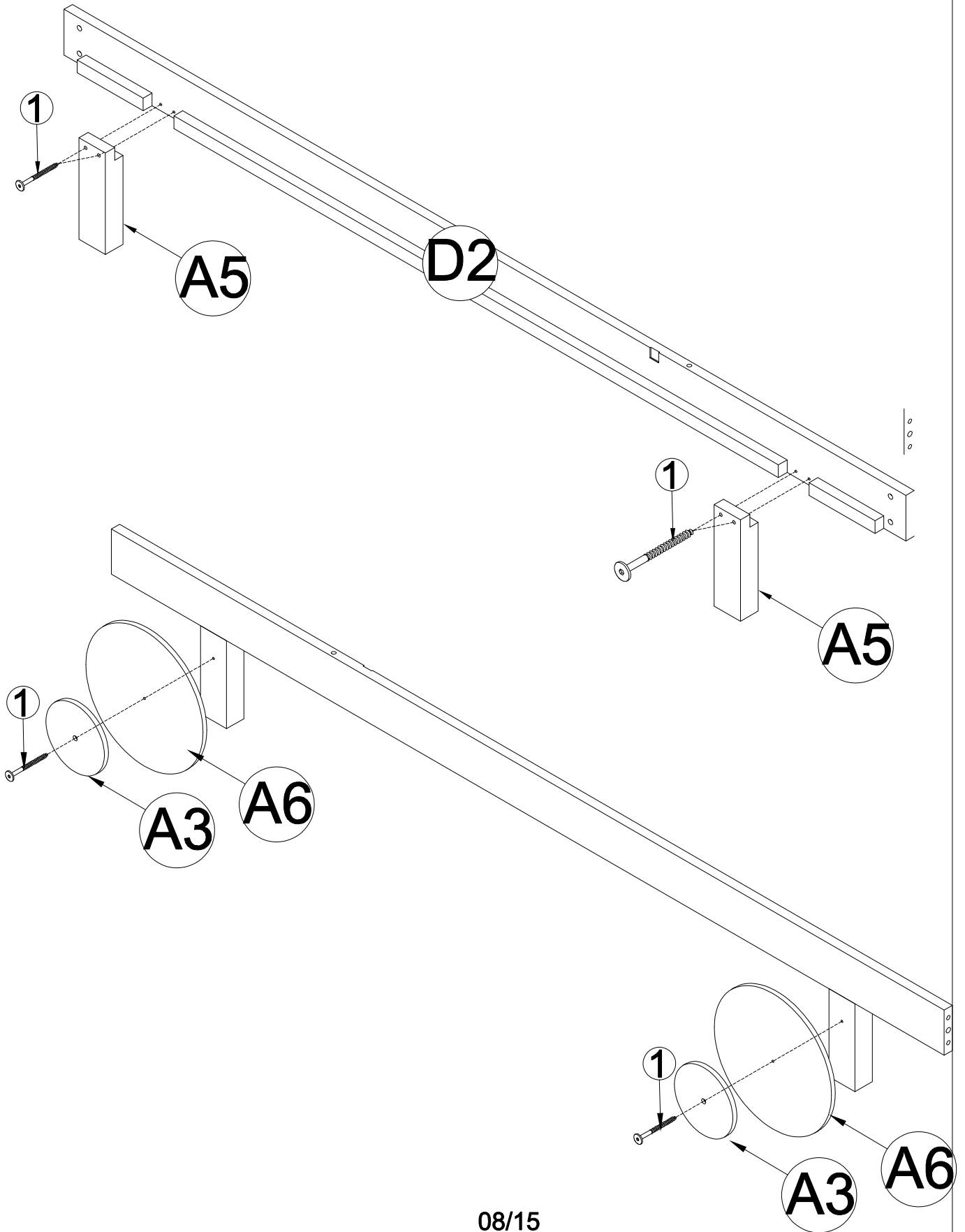
2.1: Using hardware #1 connect A5(x2) Legs with D2 Side Rail

2.2: Using hardware #1 connect A3(x2), A6(x2) Legs with Frame (completed on step 2.1)

1



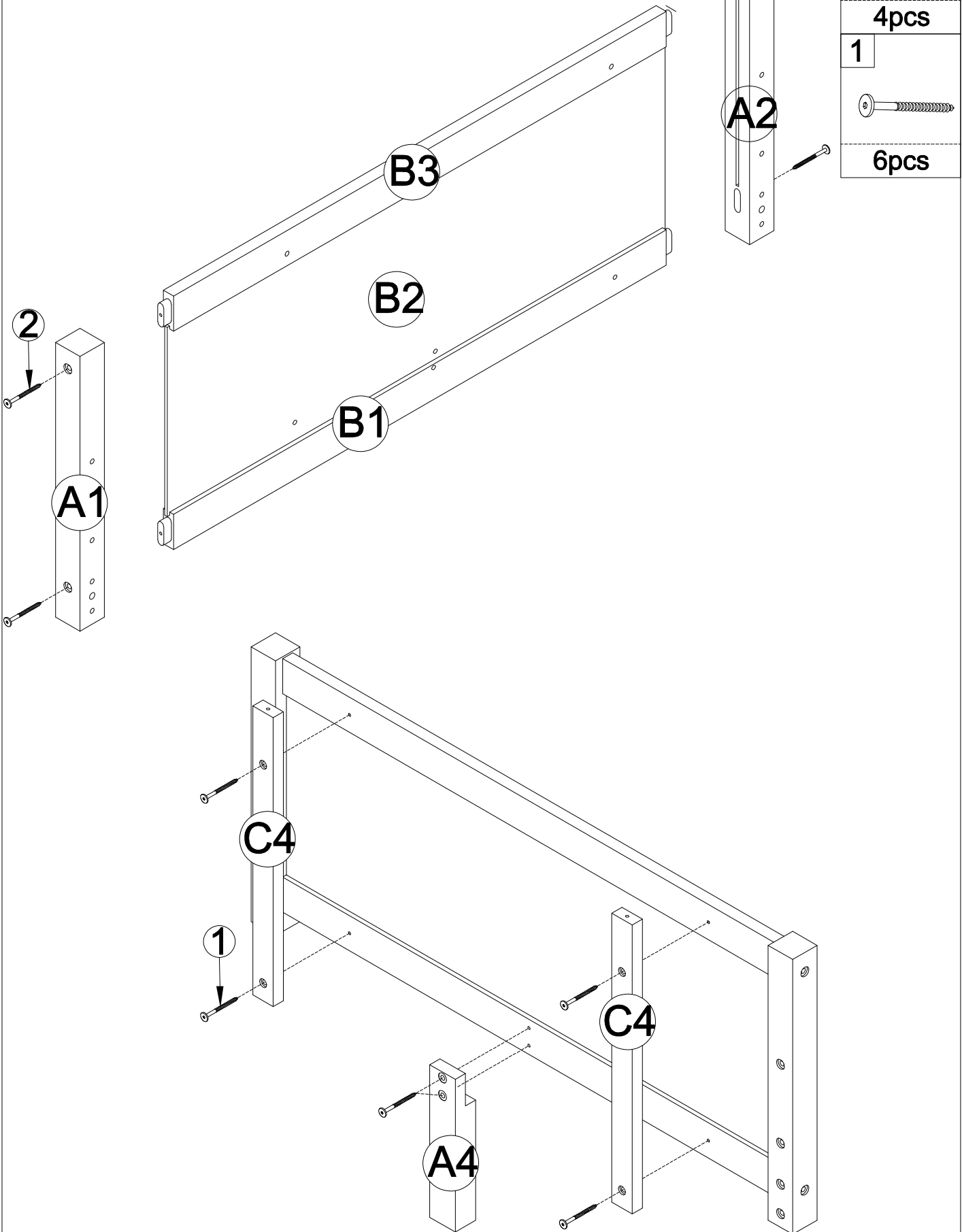
6pcs



STEP 3: Following below illustration:

3.1: Using hardware #2 connect A1, A2 Legs with B1, B3 Wood Bars and B2 Panels

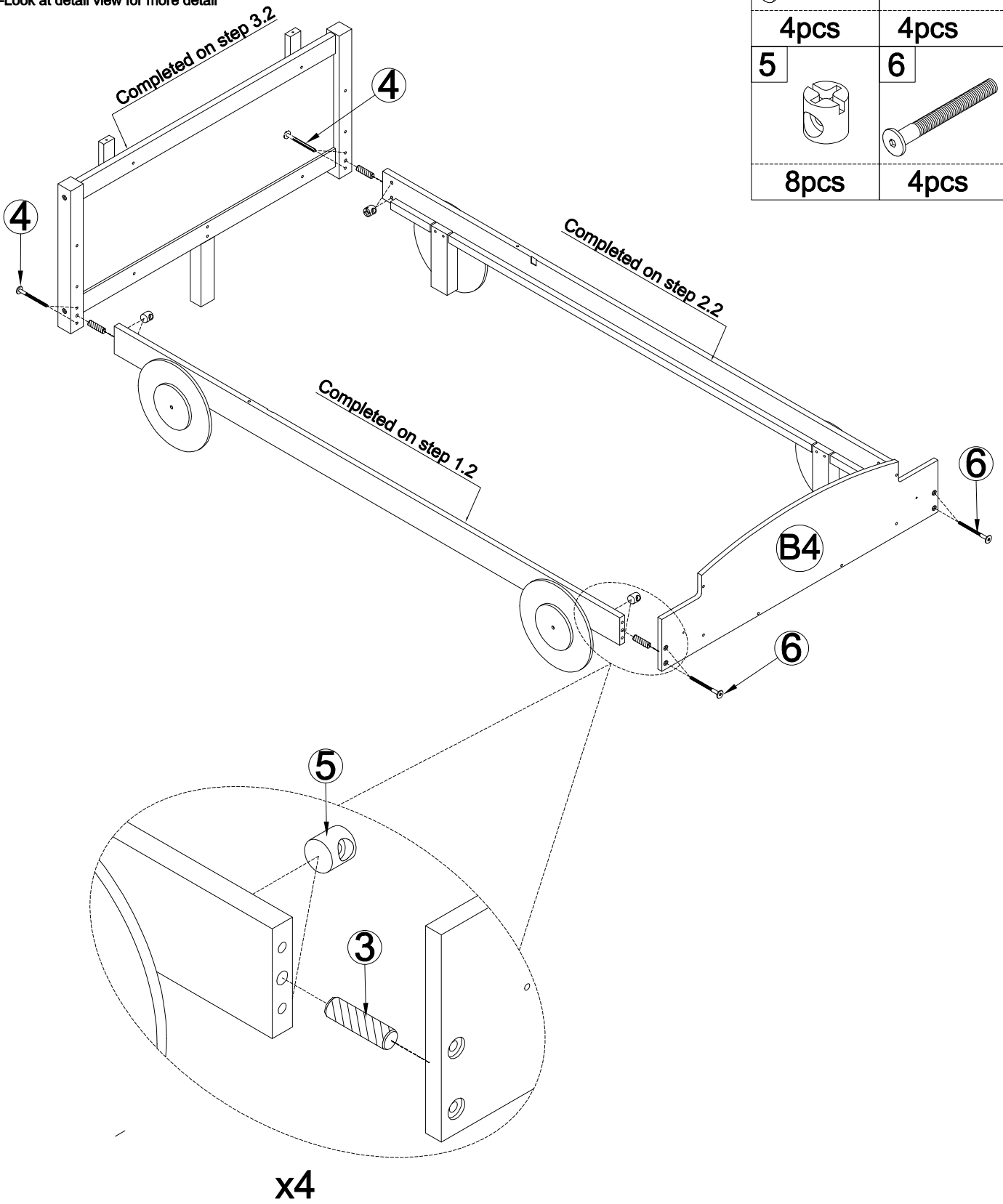
3.2: Using hardware #1 connect C4(x2), A4 Leg with Frame (completed on step 3.1)



STEP 4:

Following below illustration:


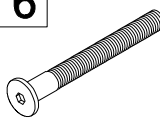
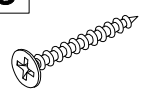

-Using hardware #4,#5,#6 and dowel #3 to Assembly Frames (Completed on step 3.2)
with Frames (Completed on step 2.2,step 1.2) and B4 Panel
-Look at detail view for more detail

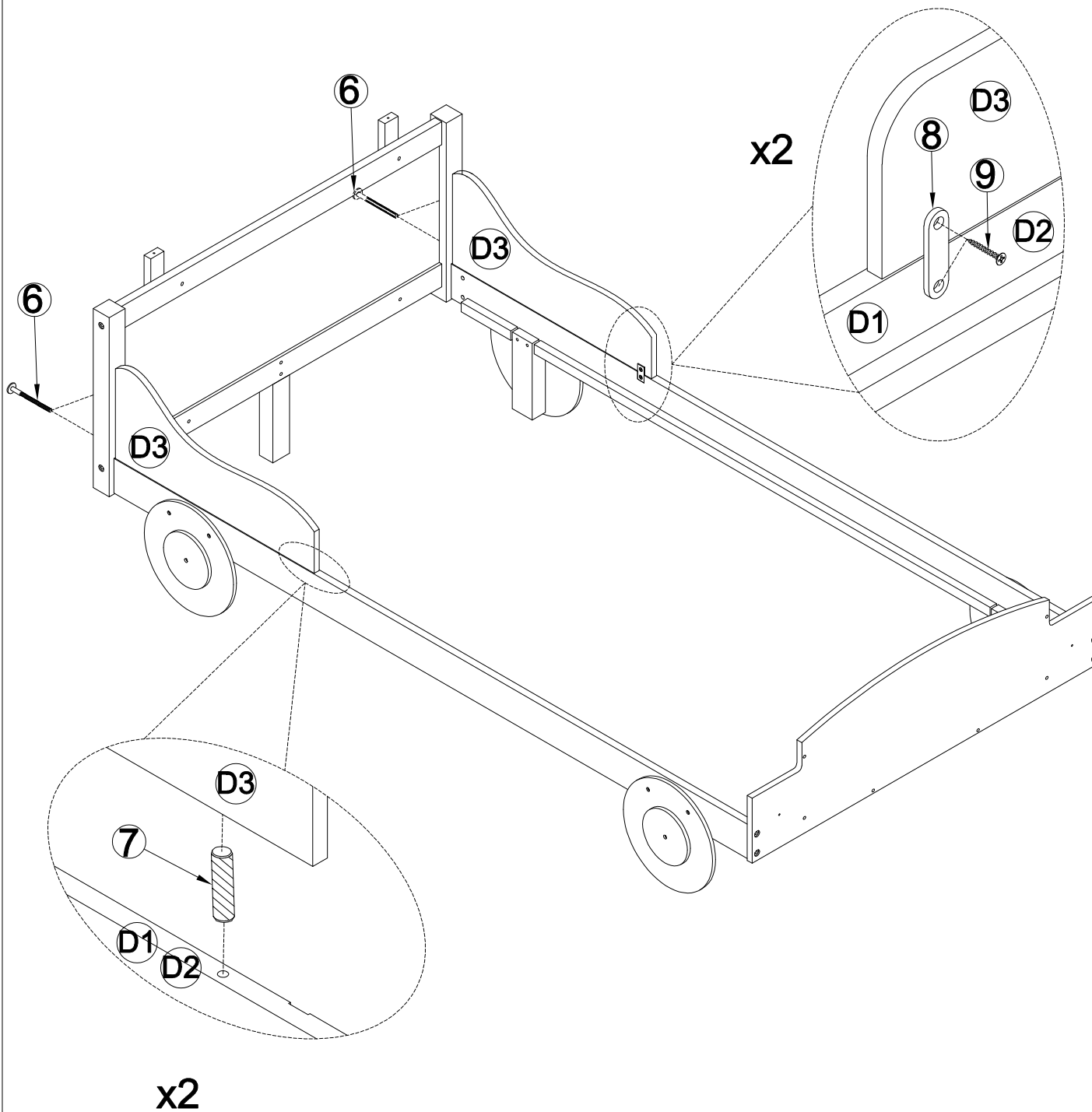


STEP 5: Following below illustration:

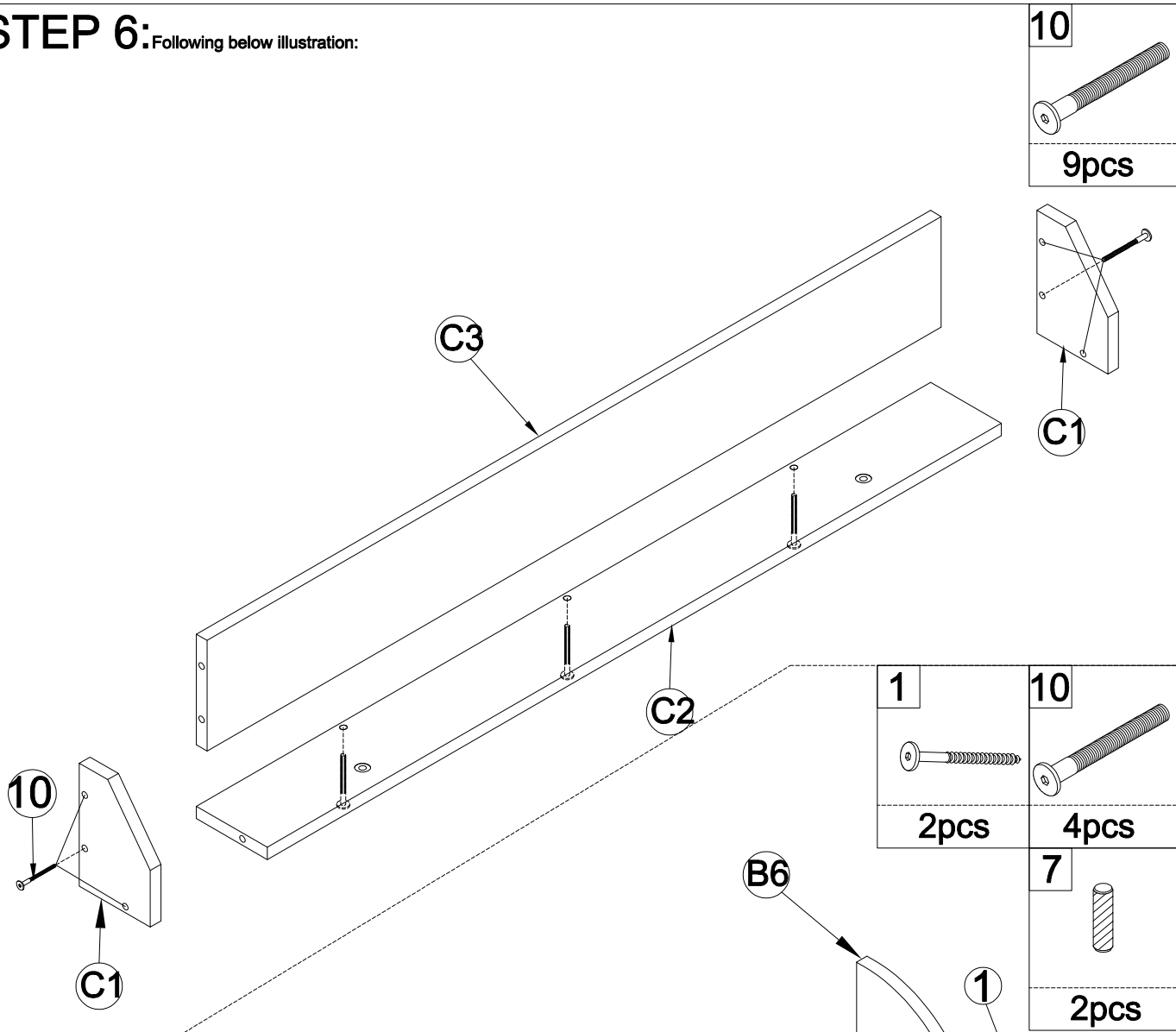
-Using hardware #6,#8,#9 and dowel #7 to Assembly Frames (Completed on step 4) with D3(x2) Panels

-Look at detail view for more detail

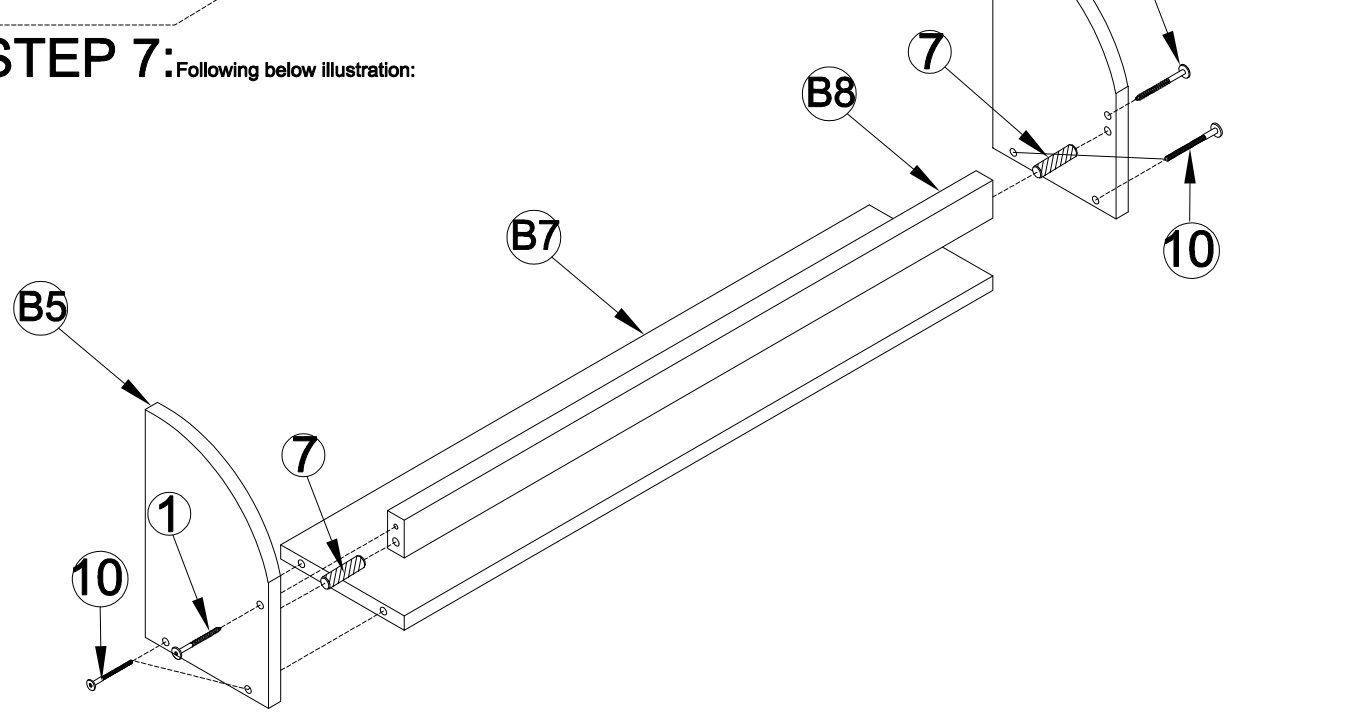
7		6	
2pcs		4pcs	
9		8	
4pcs		2pcs	



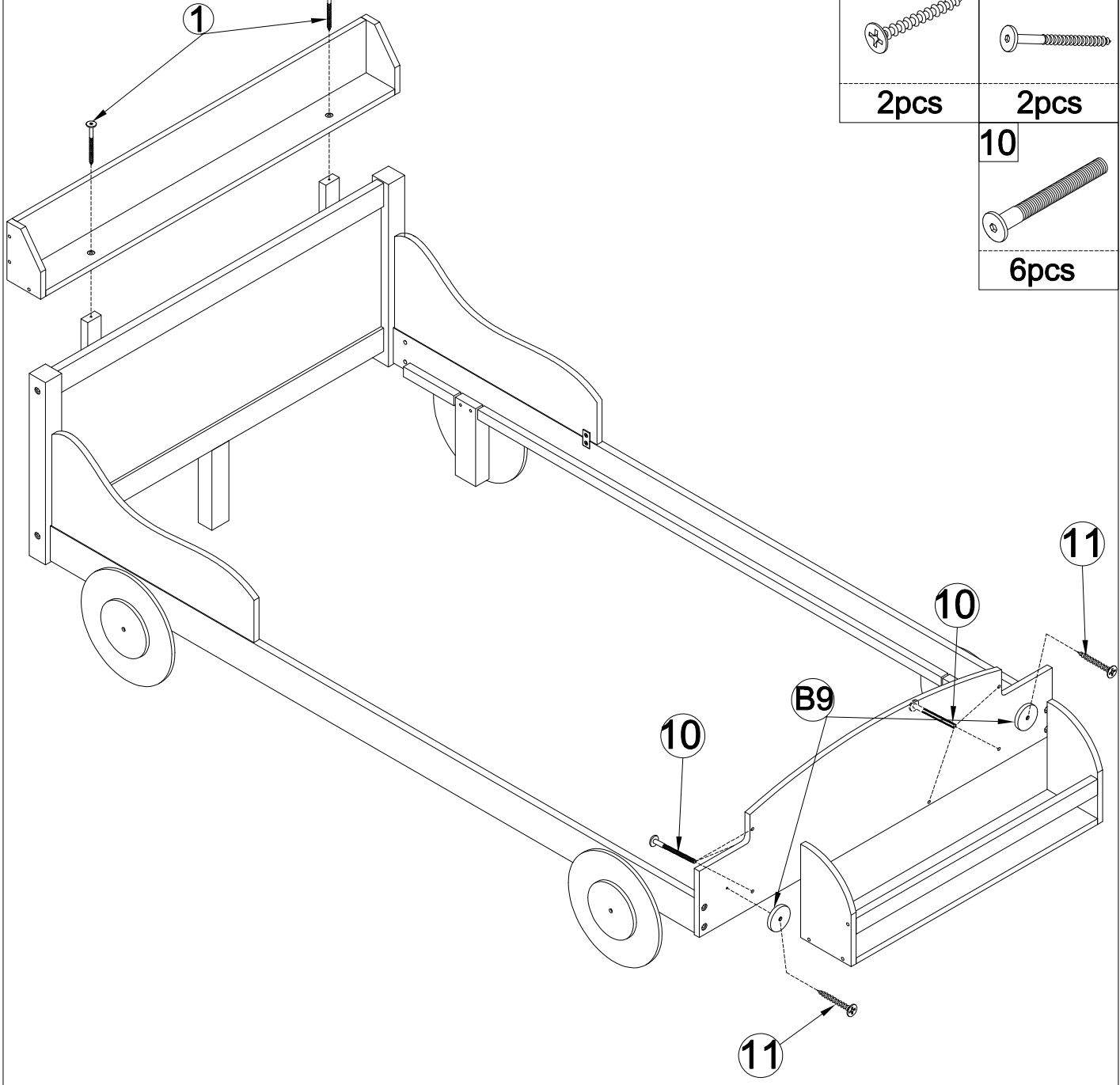
STEP 6: Following below illustration:

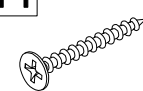

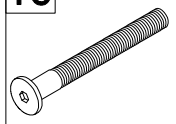


STEP 7: Following below illustration:

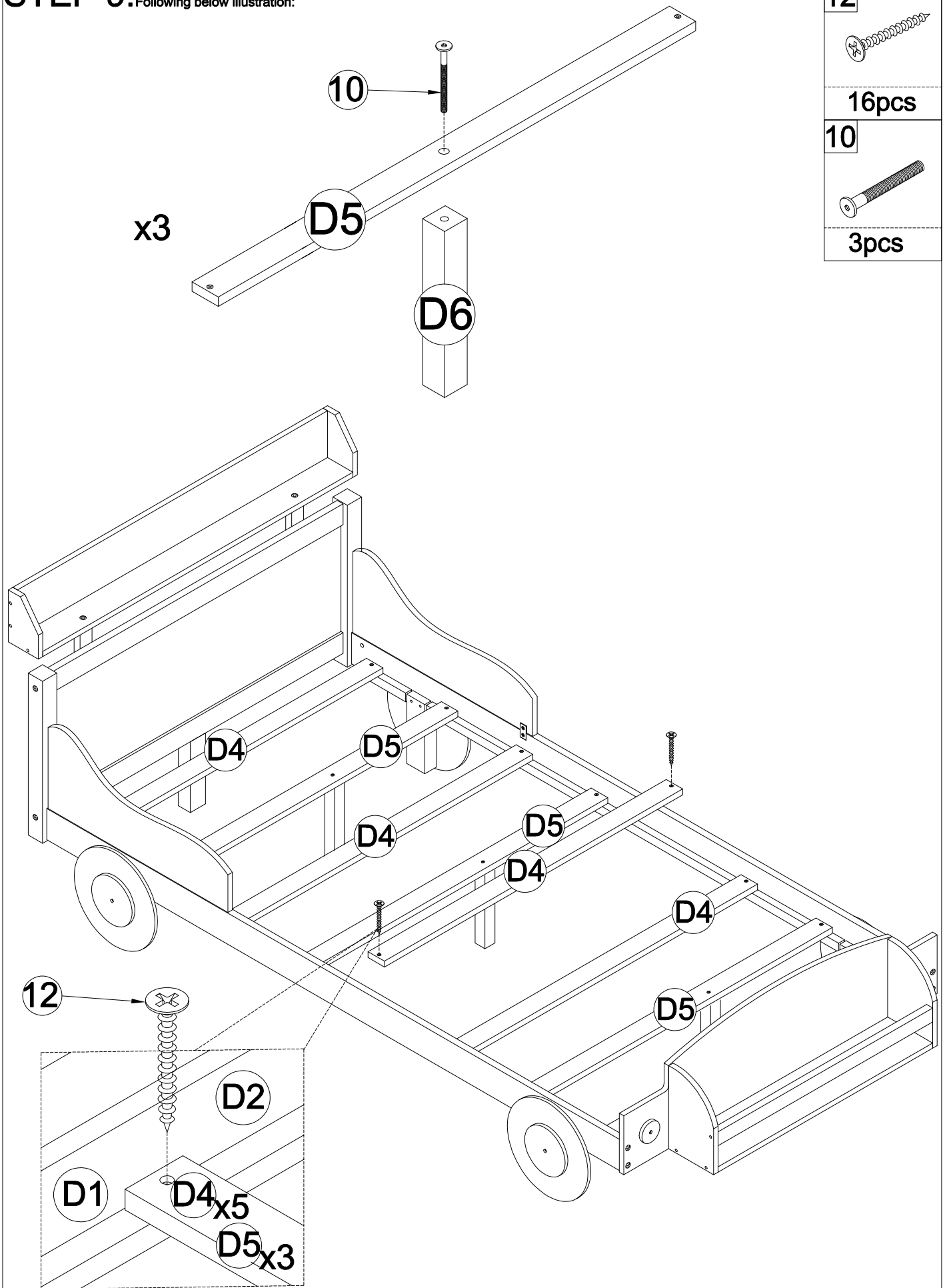


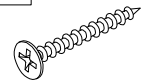
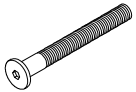
STEP 8: Following below illustration:



<p>11</p> 	<p>1</p> 
<p>2pcs</p>	<p>2pcs</p>
<p>10</p>  <p>6pcs</p>	

STEP 9: Following below illustration:



12	
	16pcs
10	
	3pcs

CONGRARULATION. YOU HAVE COMPLETED THE BED.

