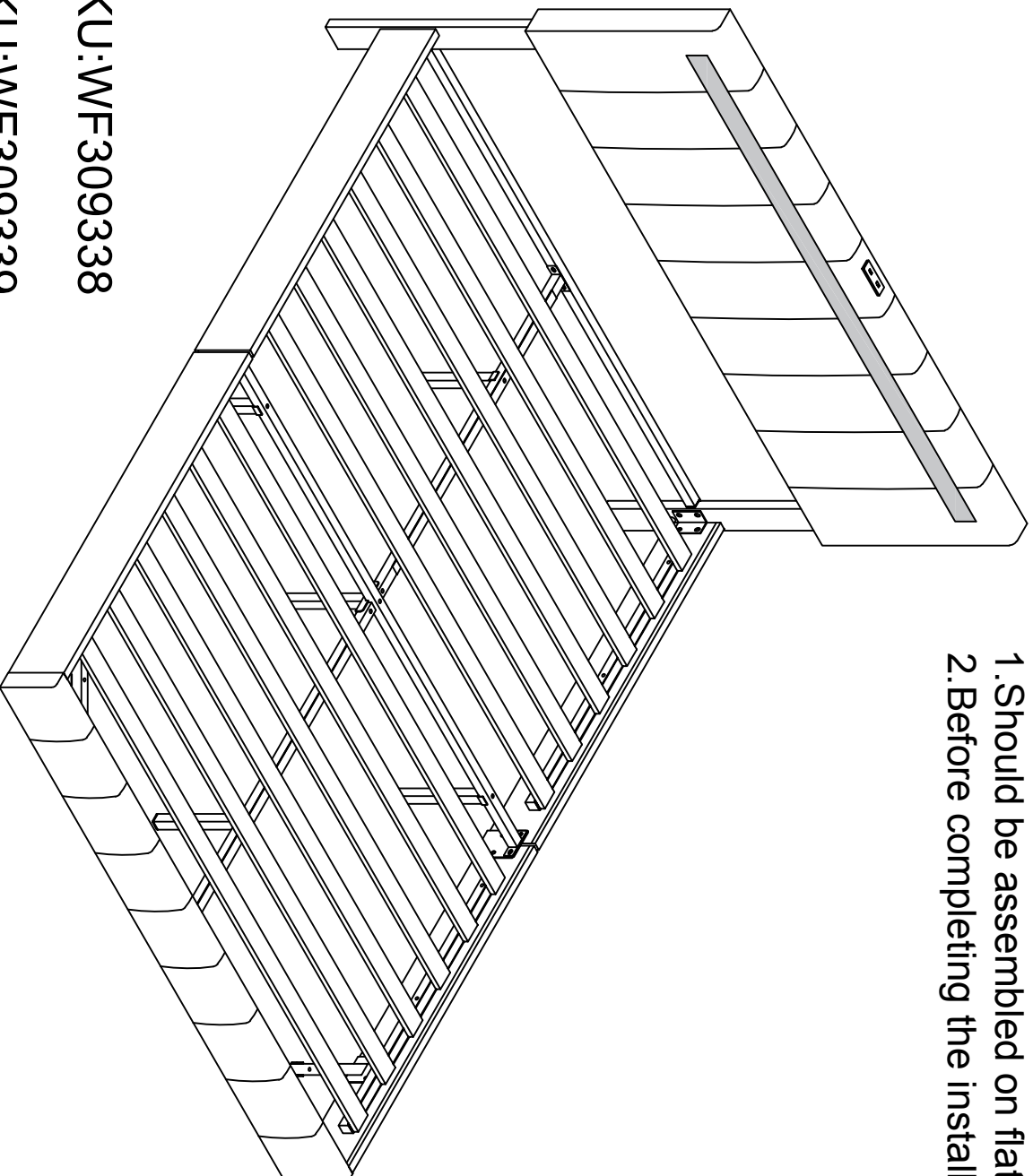


Assembly Instruction

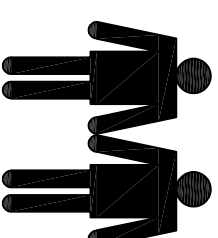
Note:

1. Should be assembled on flat ground to keep balance.
2. Before completing the installation, do not tighten the screws.

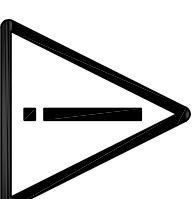


SKU:WF309338

SKU:WF309339

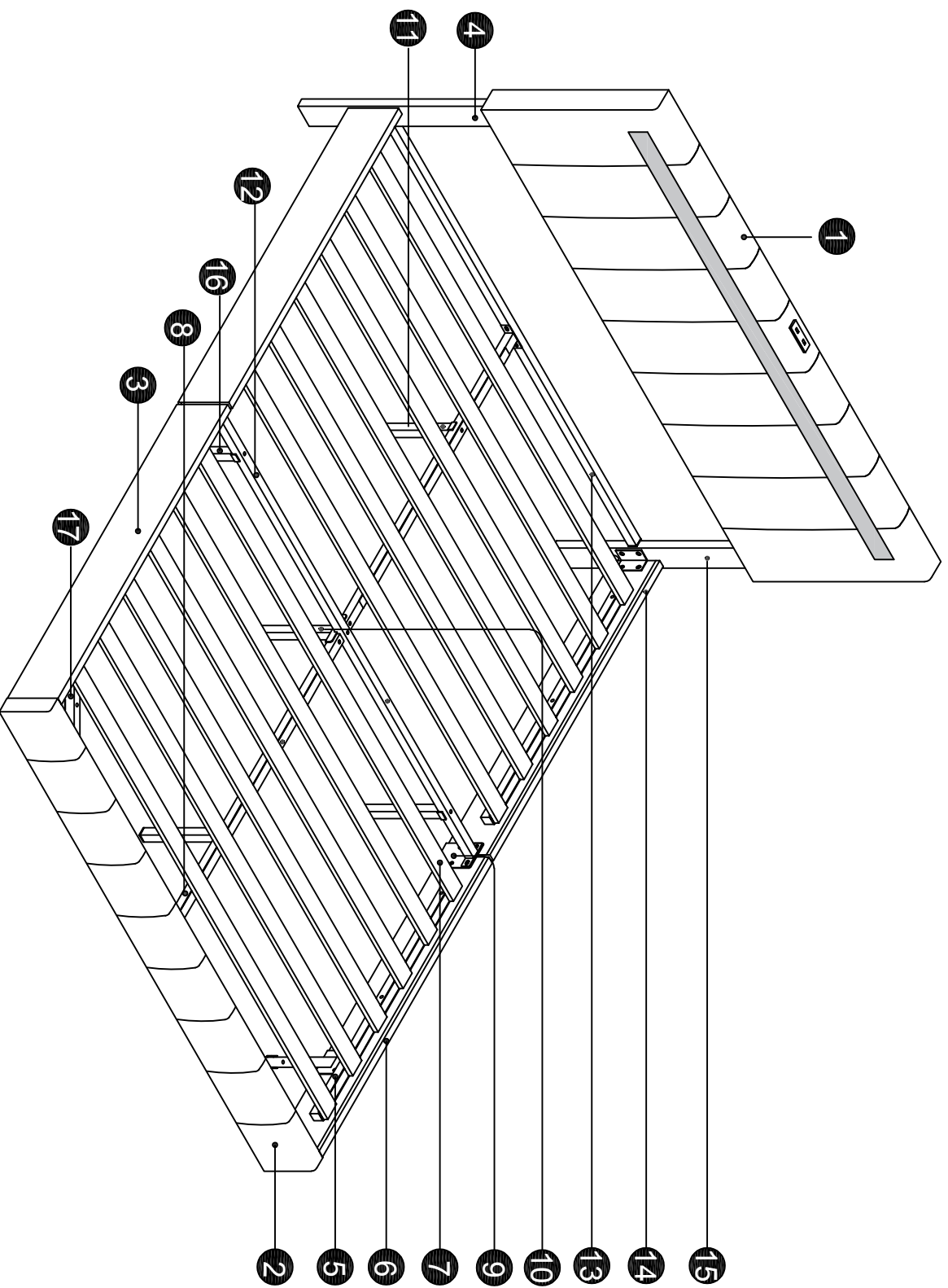


You must be need
two people to install !!



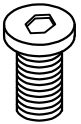
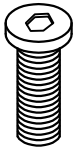
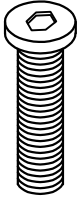
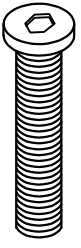
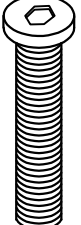


Before starting the
assembly, you must
read the whole
manual and follow
the instructions

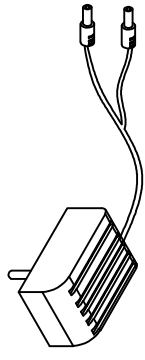
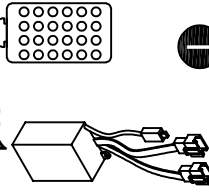
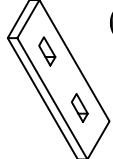
Assembly Instruction



Assembly Instruction

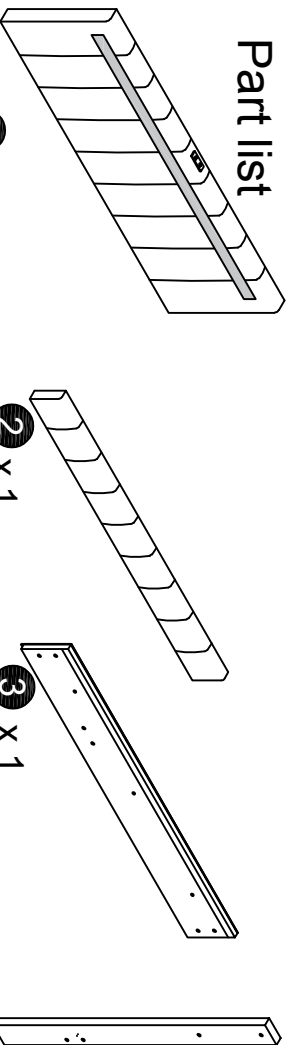
Hardware Parts

A  18mm M8 Bolt x 20	B  25mm M8 Bolt x 18	G  40mm M8 Bolt x 18	D  45mm M8 Bolt x 5	E  60mm M8 Bolt x 2	F  Flat washer x 6	G  x 1
--	--	--	---	---	--	--

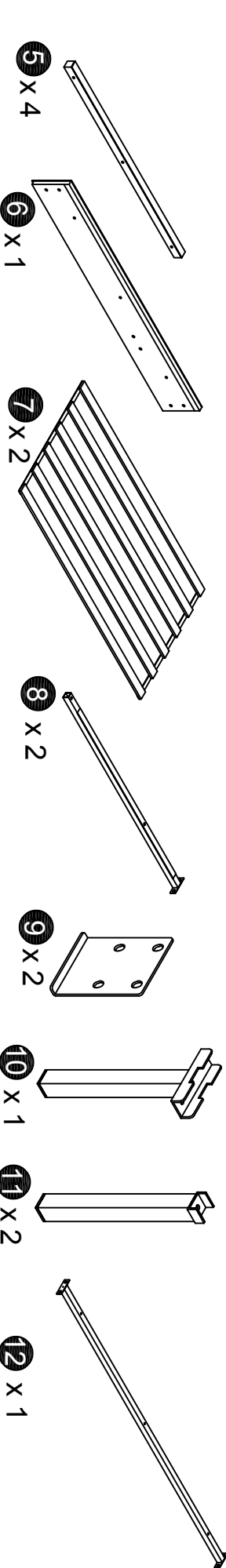
H  x 1	I  x 1	J  x 1
--	---	---

Unplug the battery separator of the remote control before use

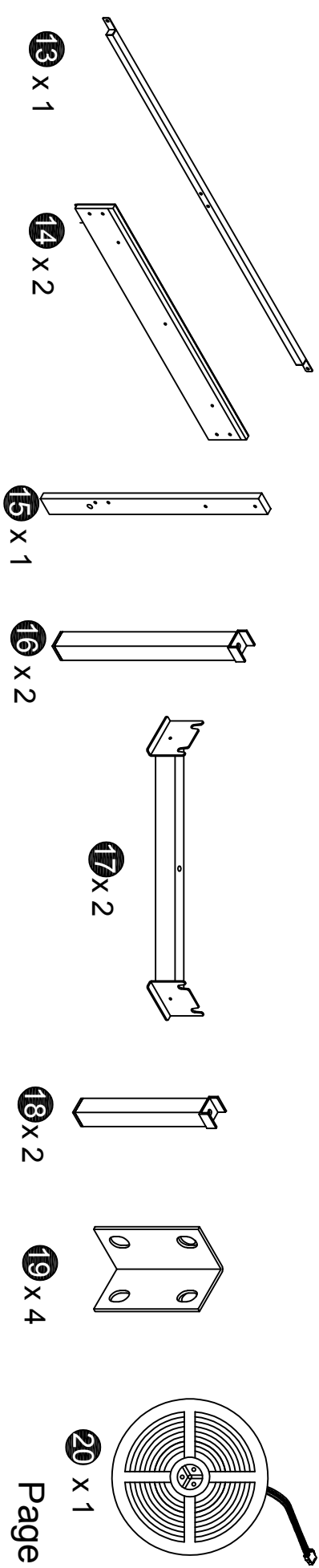
Part list



1 x 1 **2** x 1 **3** x 1 **4** x 1

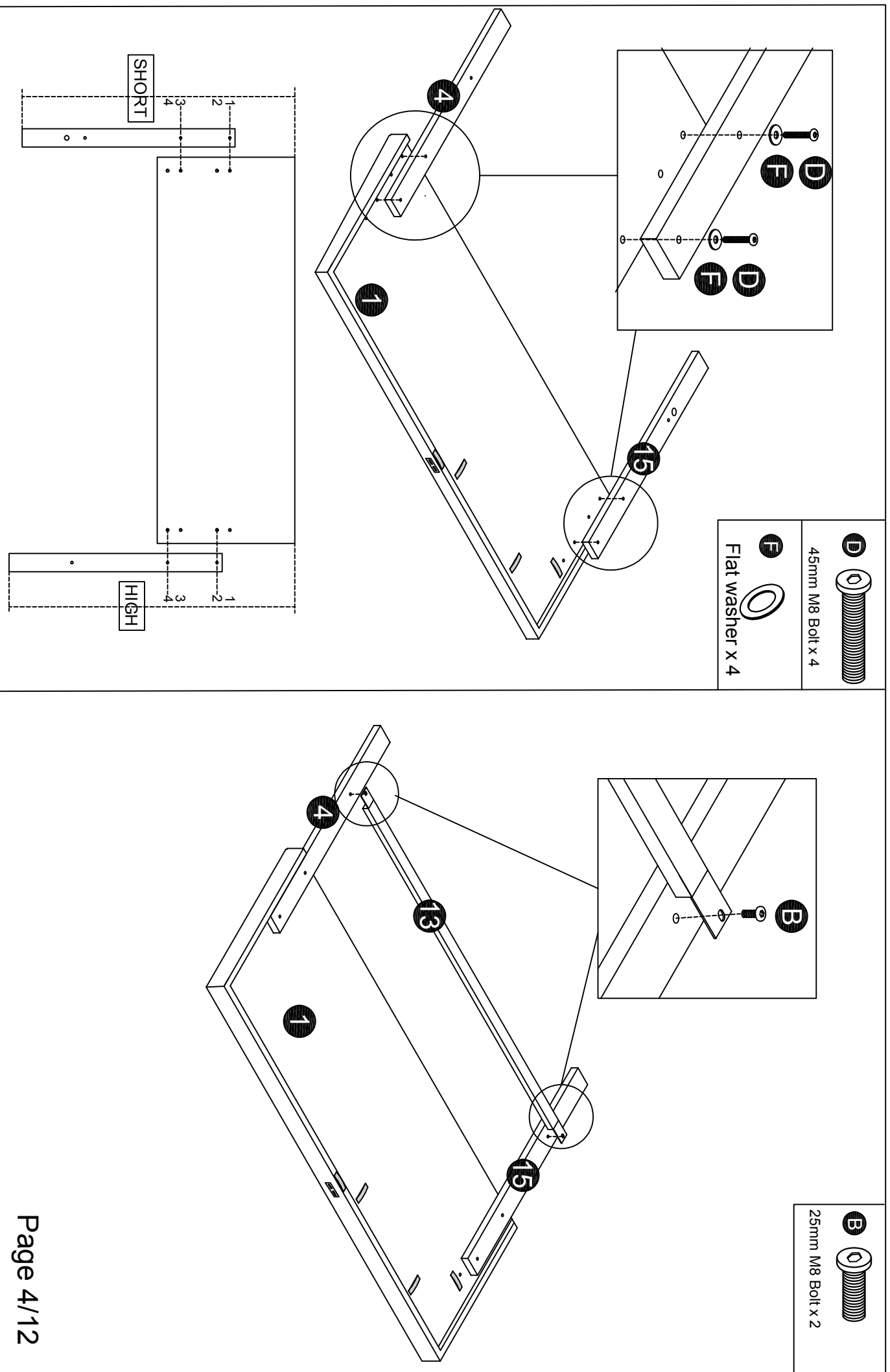


5 x 4 **6** x 1 **7** x 2 **8** x 2 **9** x 2 **10** x 1 **11** x 2 **12** x 1



13 x 1 **14** x 2 **15** x 1 **16** x 2 **17** x 2 **18** x 2 **19** x 4 **20** x 1

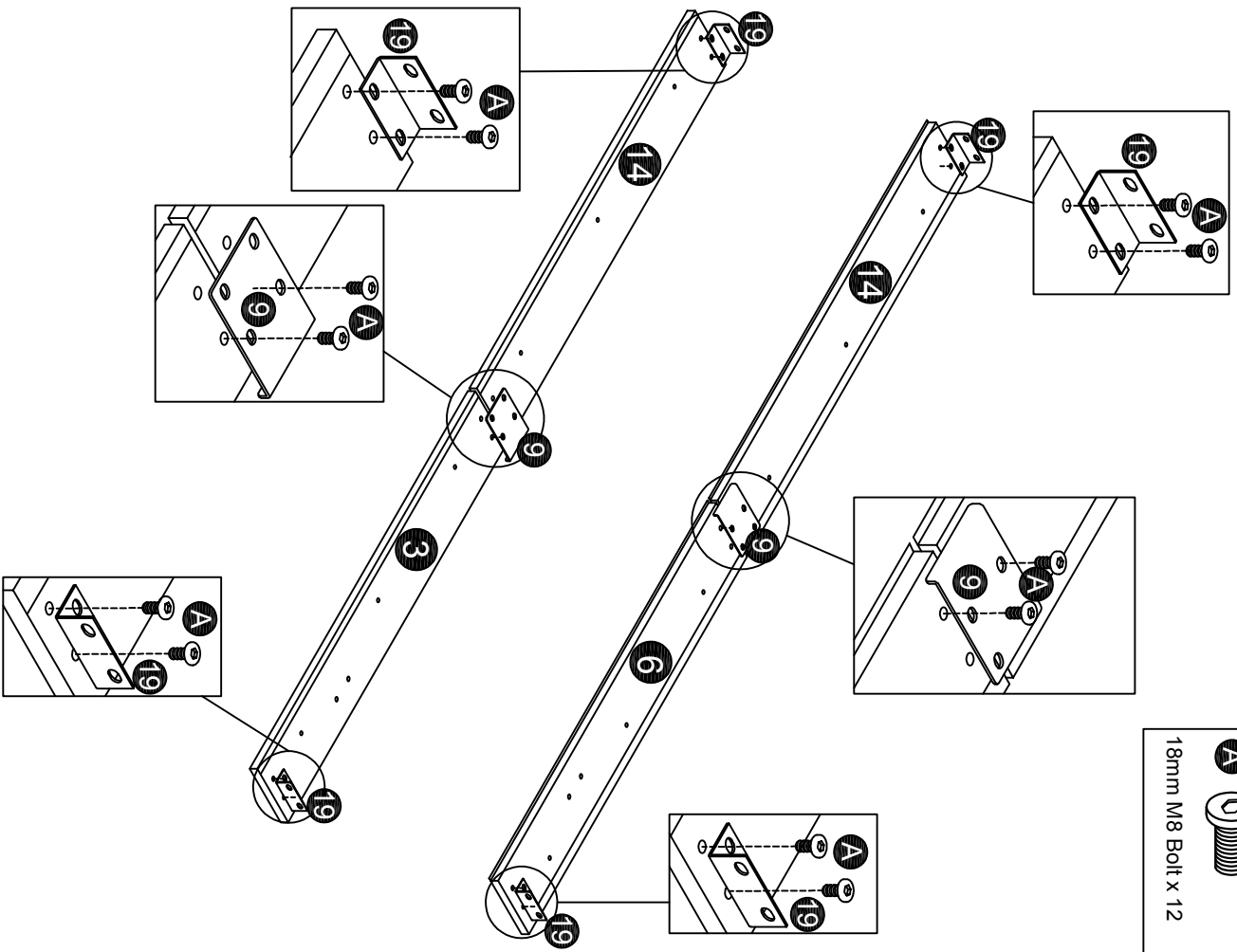
Assembly Instruction



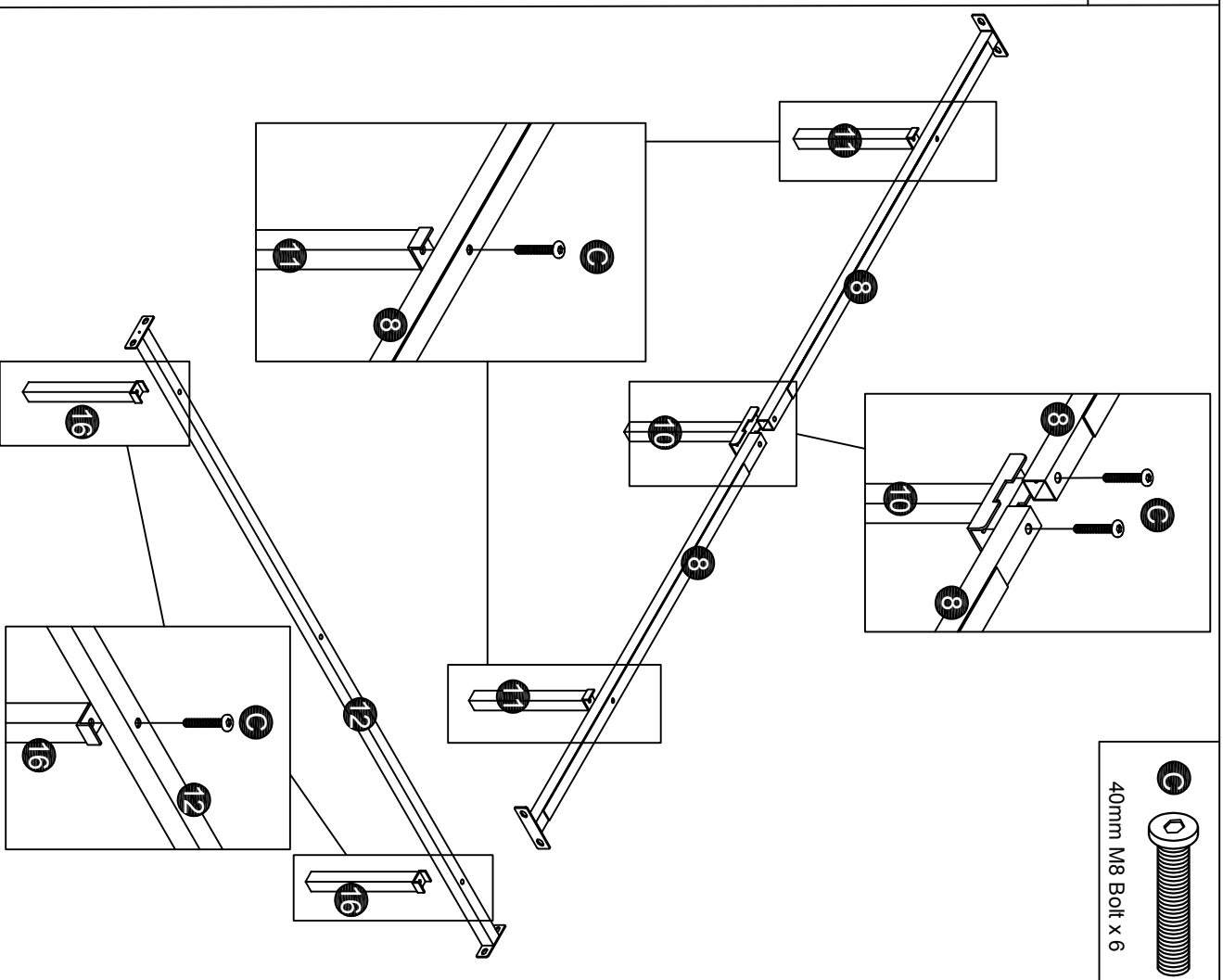
Assembly Instruction



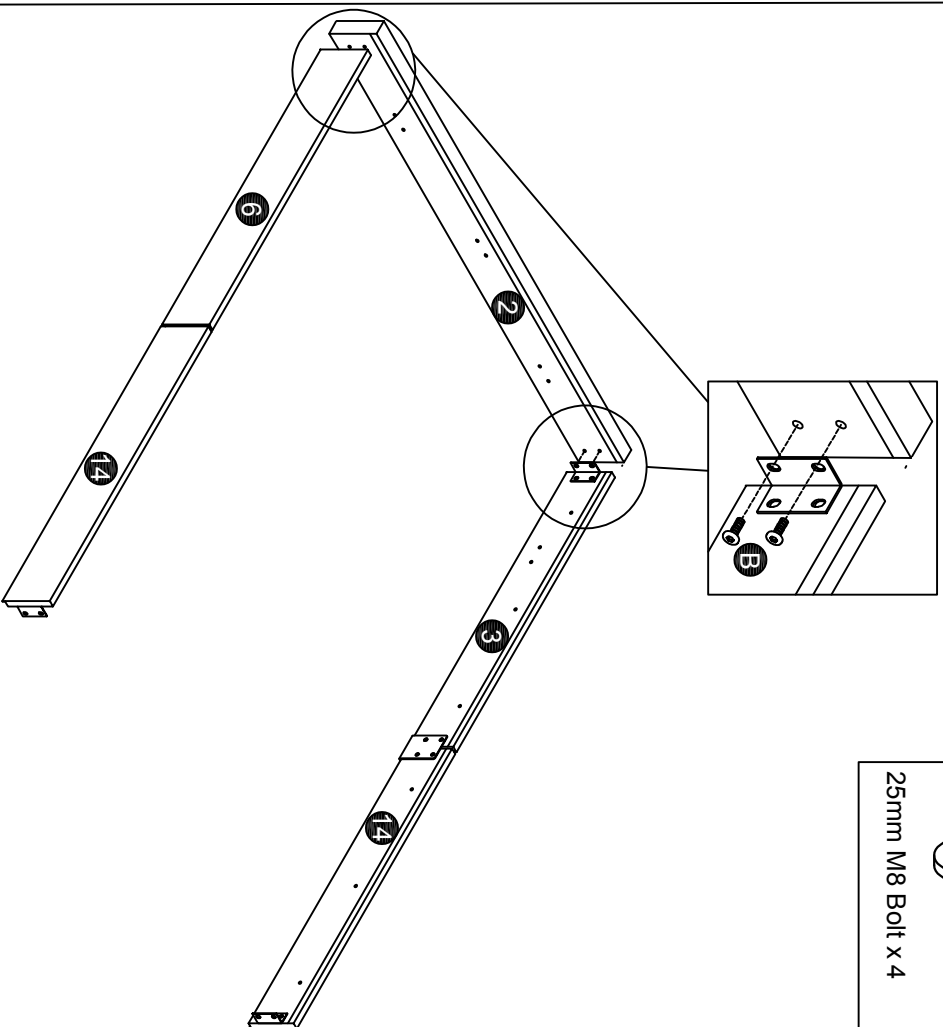
18mm M8 Bolt x 12



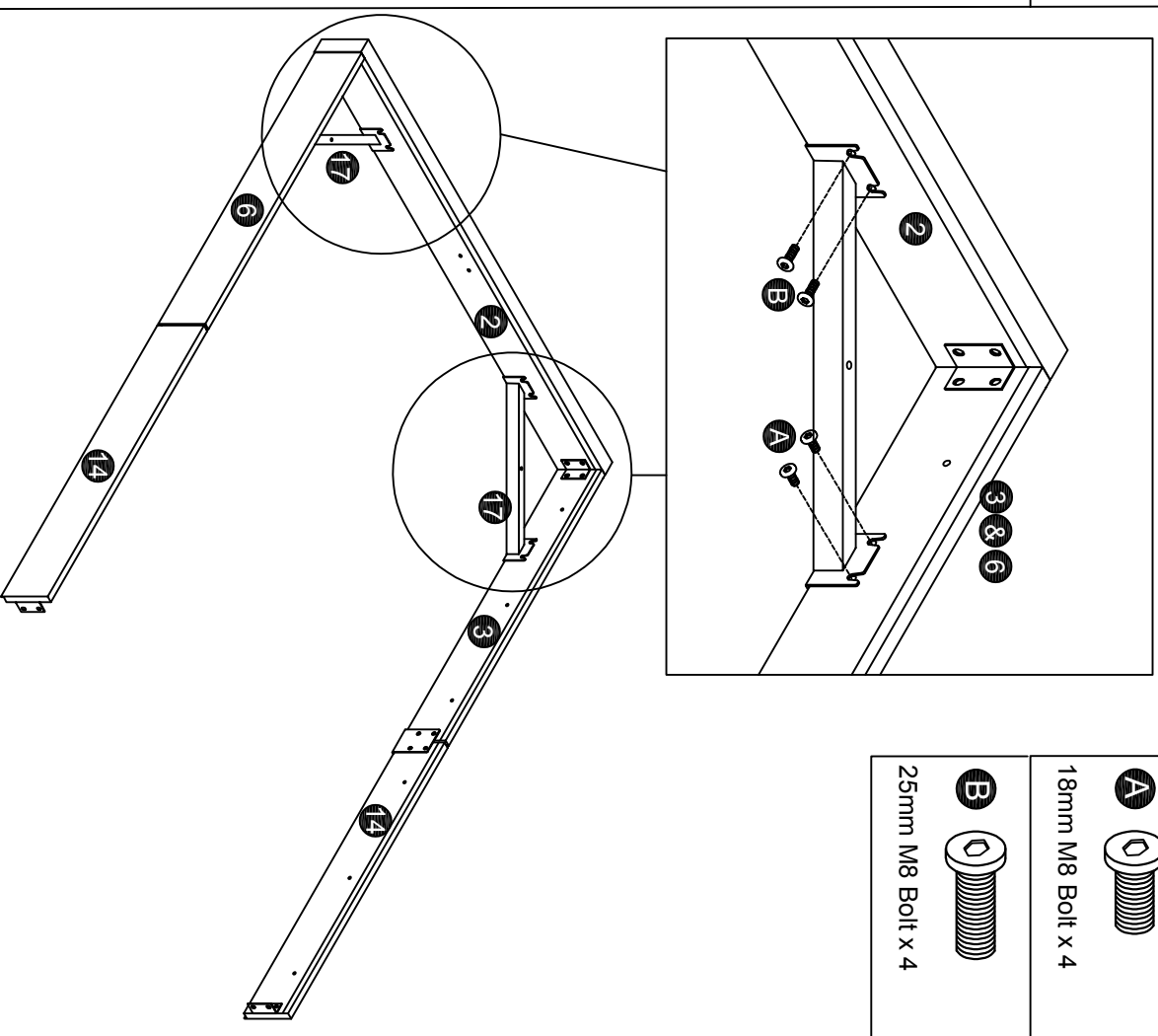
40mm M8 Bolt x 6



Assembly Instruction



25mm M8 Bolt x 4

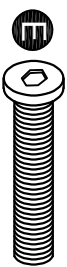
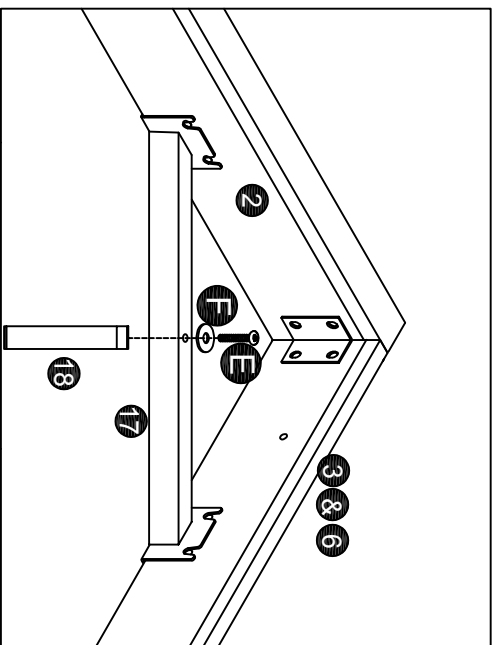


18mm M8 Bolt x 4



25mm M8 Bolt x 4

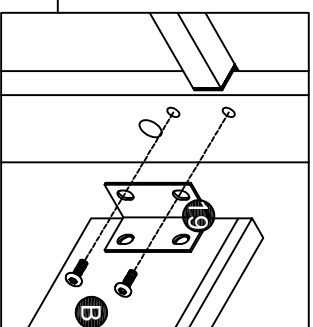
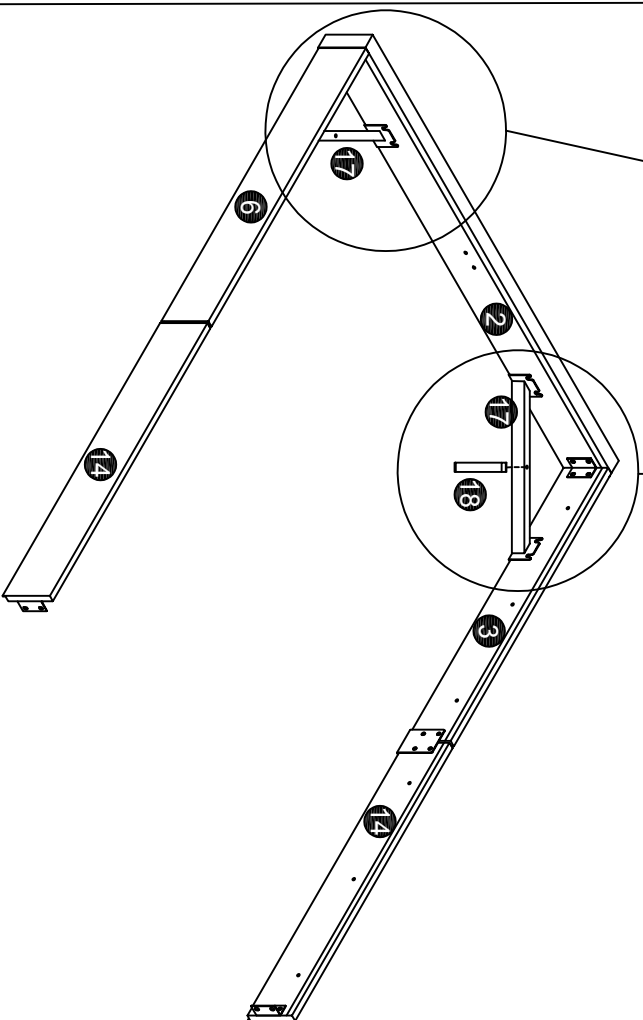
Assembly Instruction



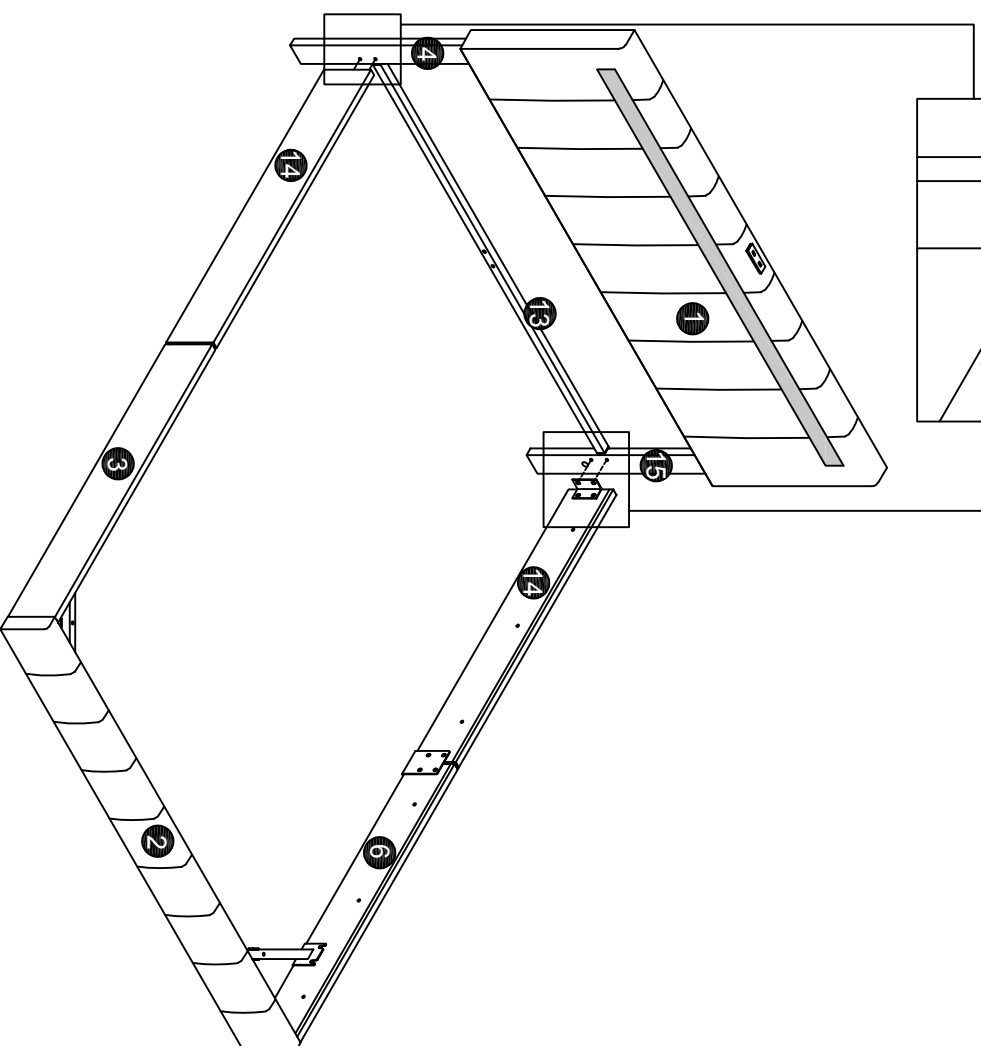
60mm M8 Bolt x 2



Flat washer x 2



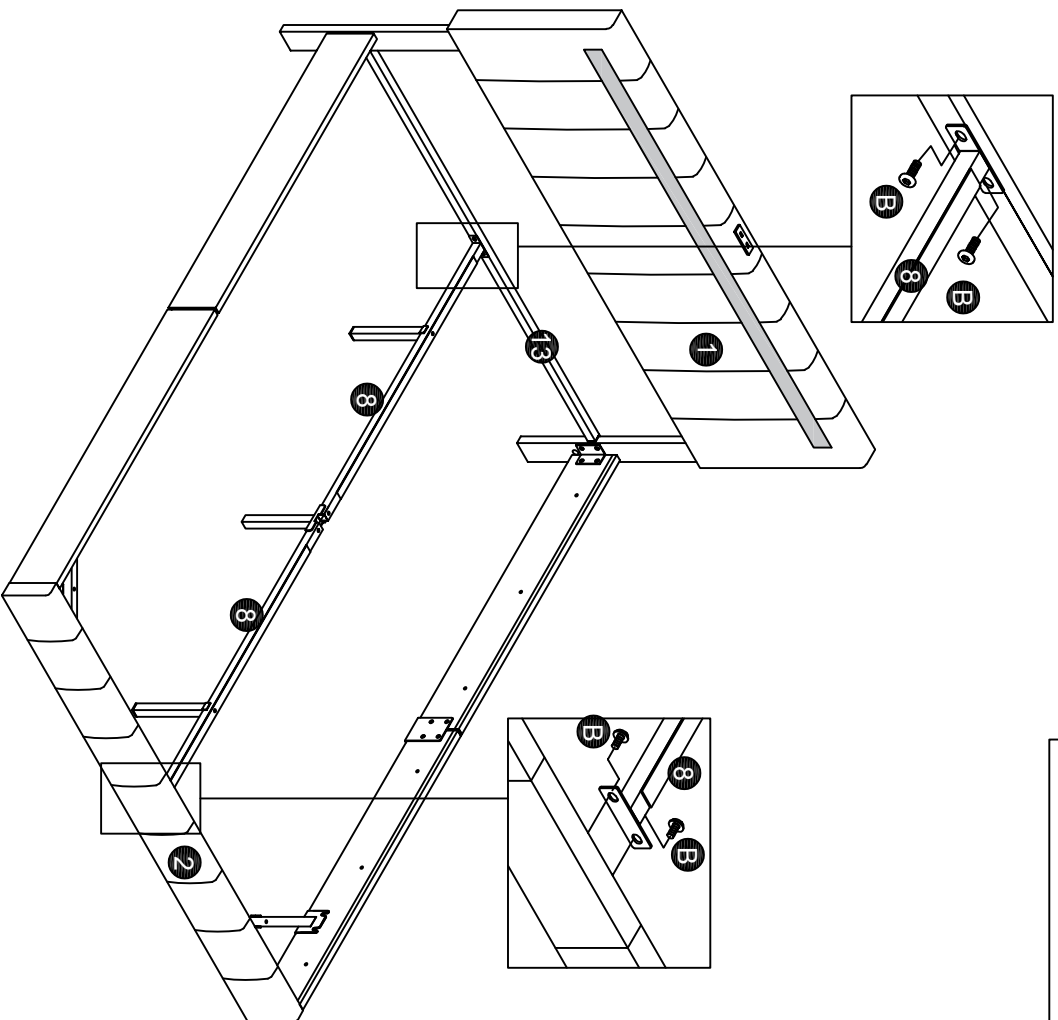
25mm M8 Bolt x 4



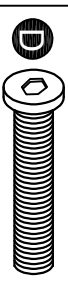
Assembly Instruction



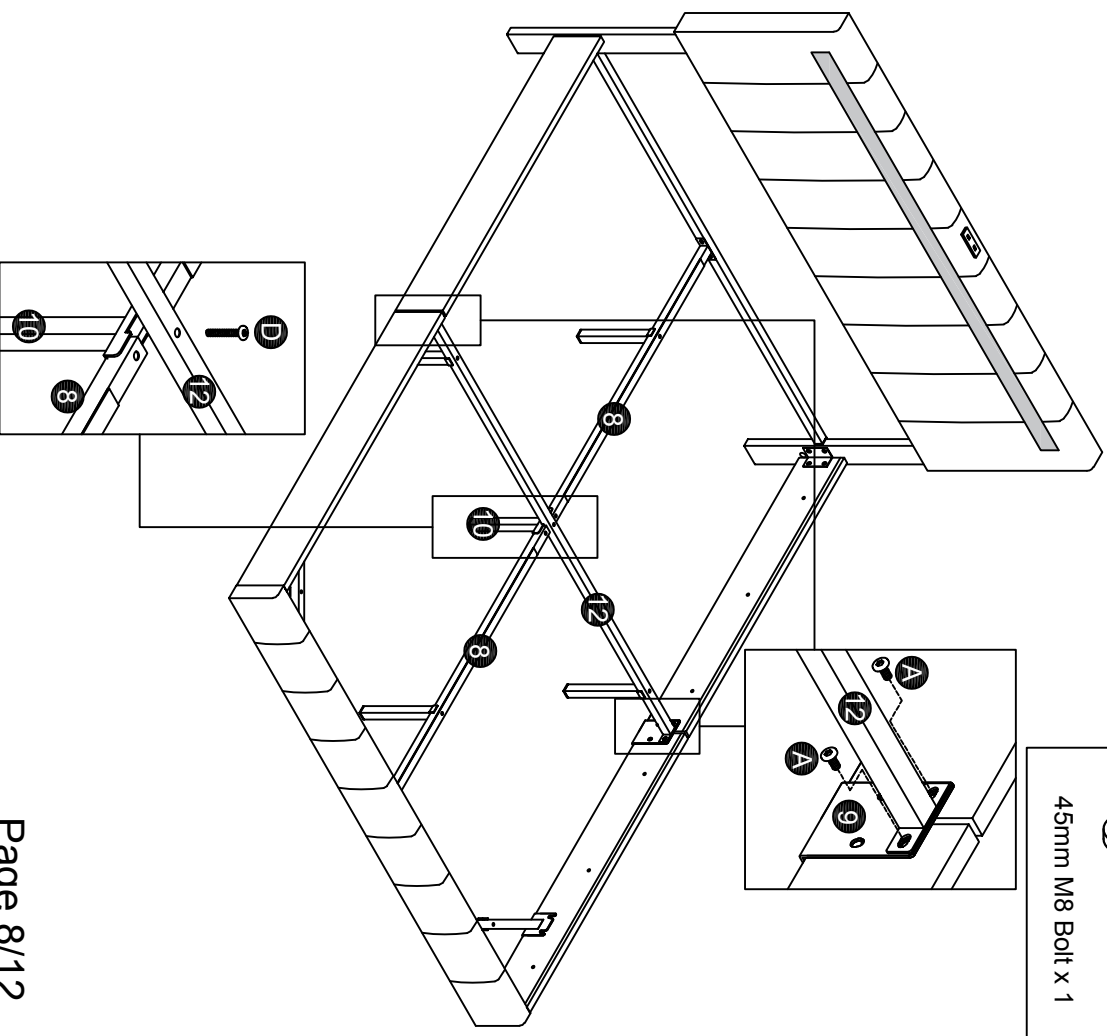
25mm M8 Bolt x 4



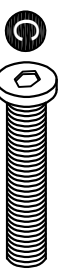
18mm M8 Bolt x 4



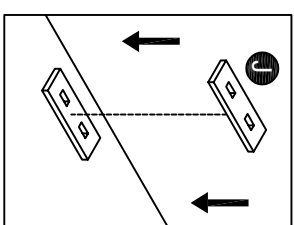
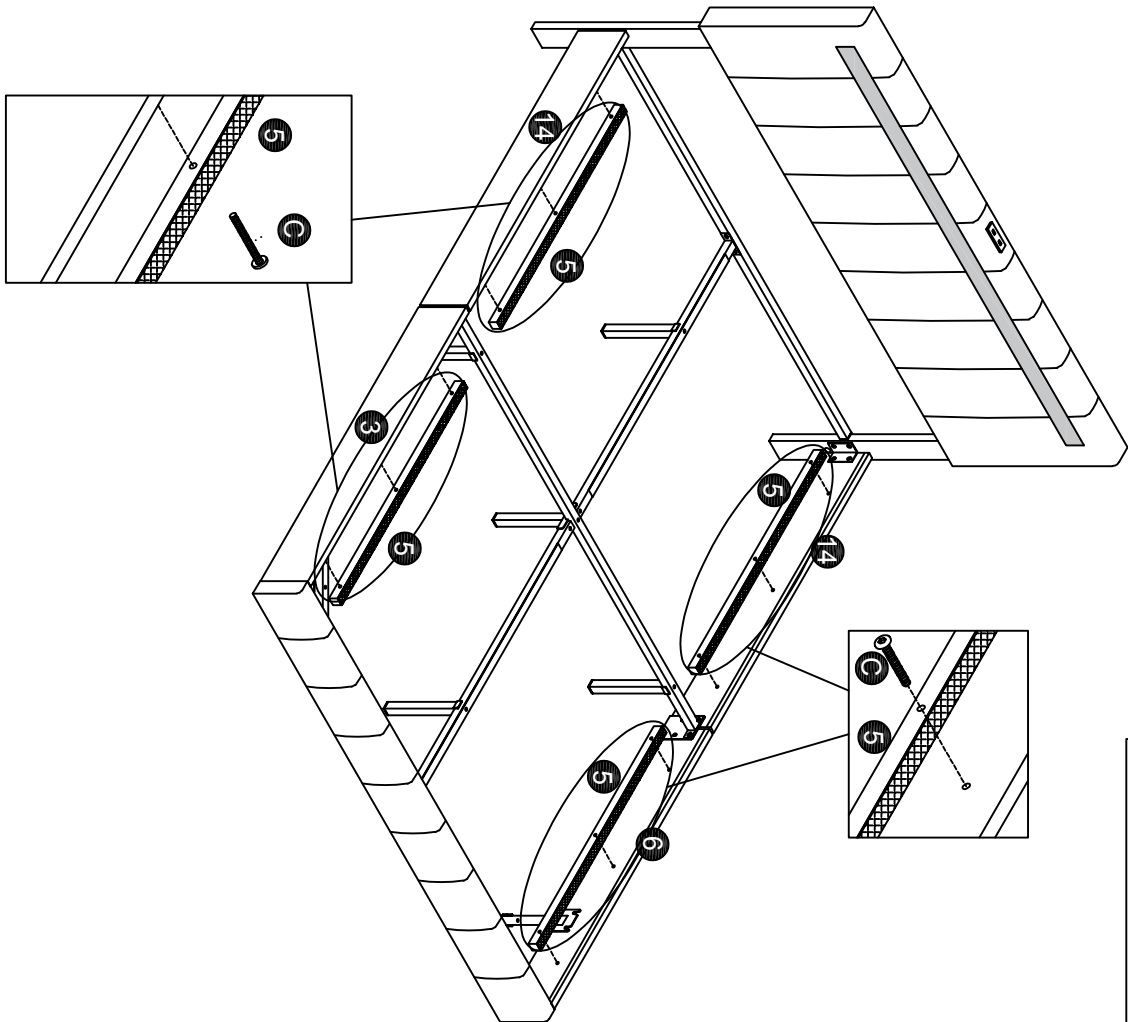
45mm M8 Bolt x 1



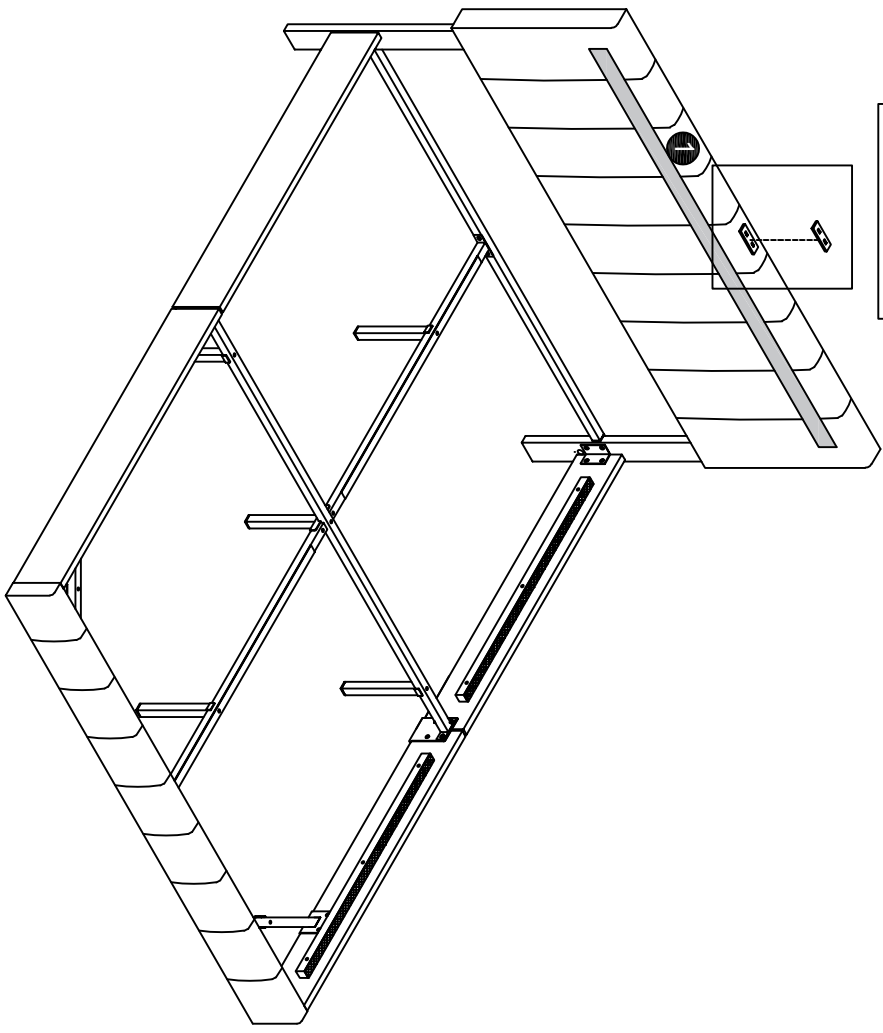
Assembly Instruction



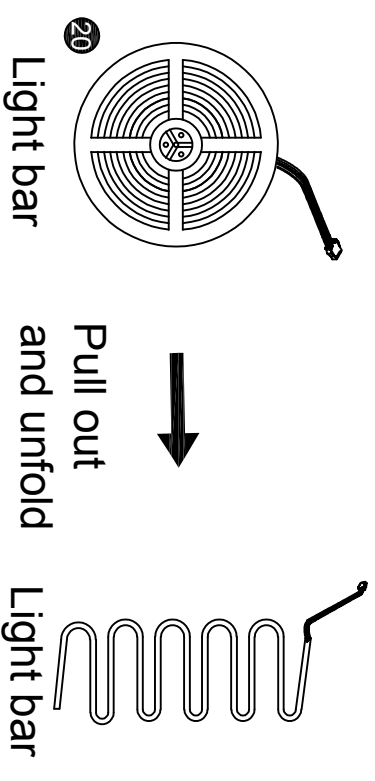
40mm M8 Bolt x 12



x 1



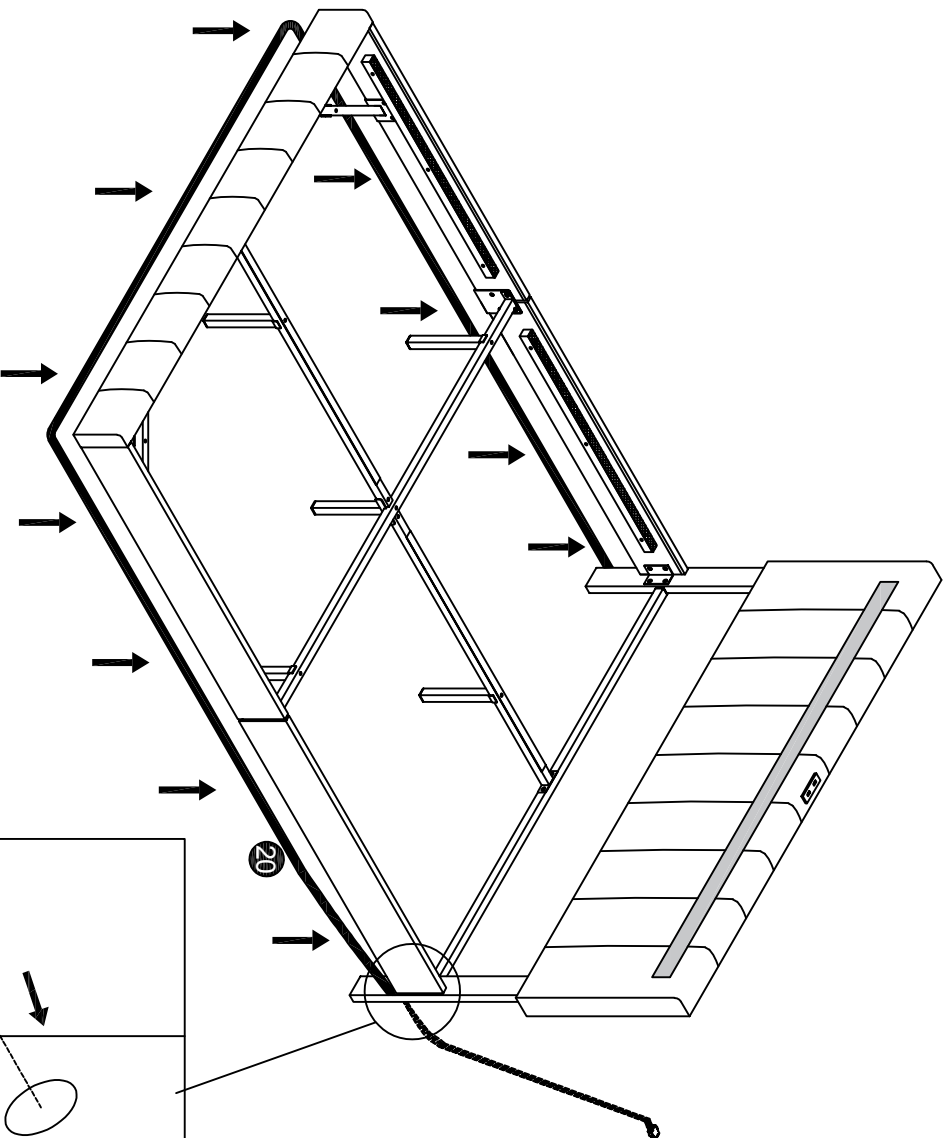
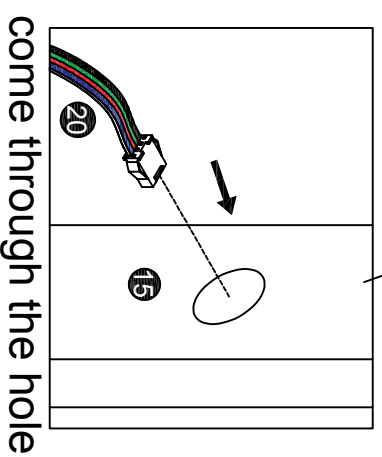
Assembly Instruction



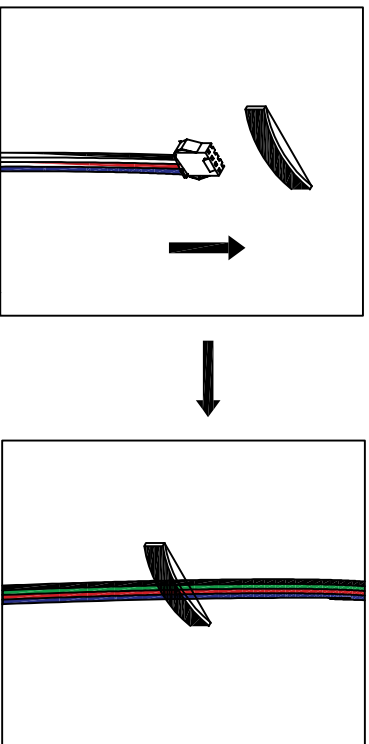
1. One side of the light bar is the luminous surface, and the other side is the velcro tape A.

2. There are corresponding velcro tape B under the bed side and under the bed tail, which can be firmly bonded

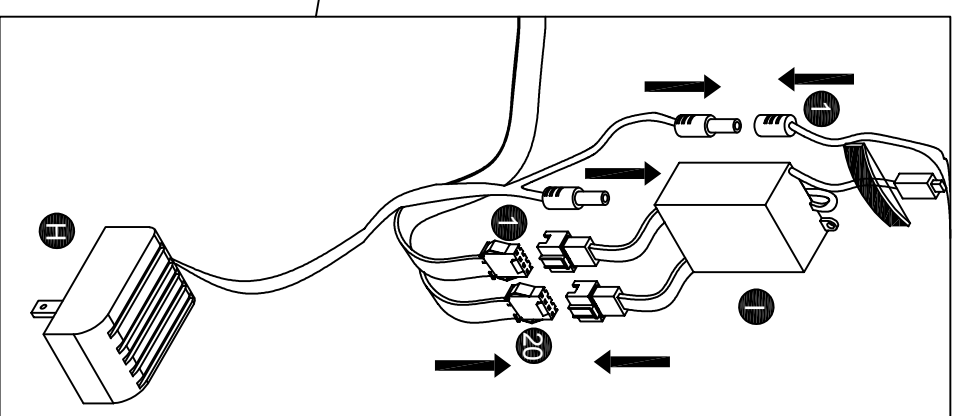
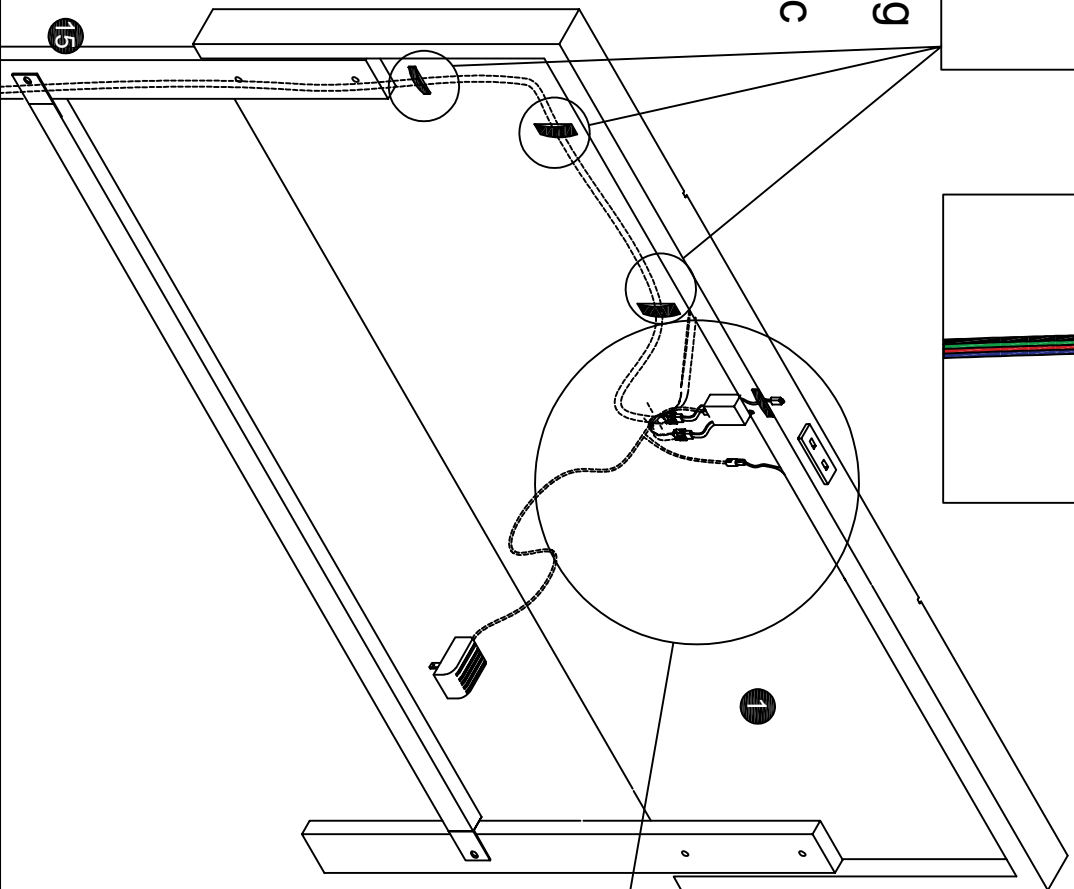
Please fit the light belt to the bottom of the bed side



Assembly Instruction



Please string
the thread
to the elastic
band



Please attach the infrared
receiver to the elastic bag

Assembly Instruction

