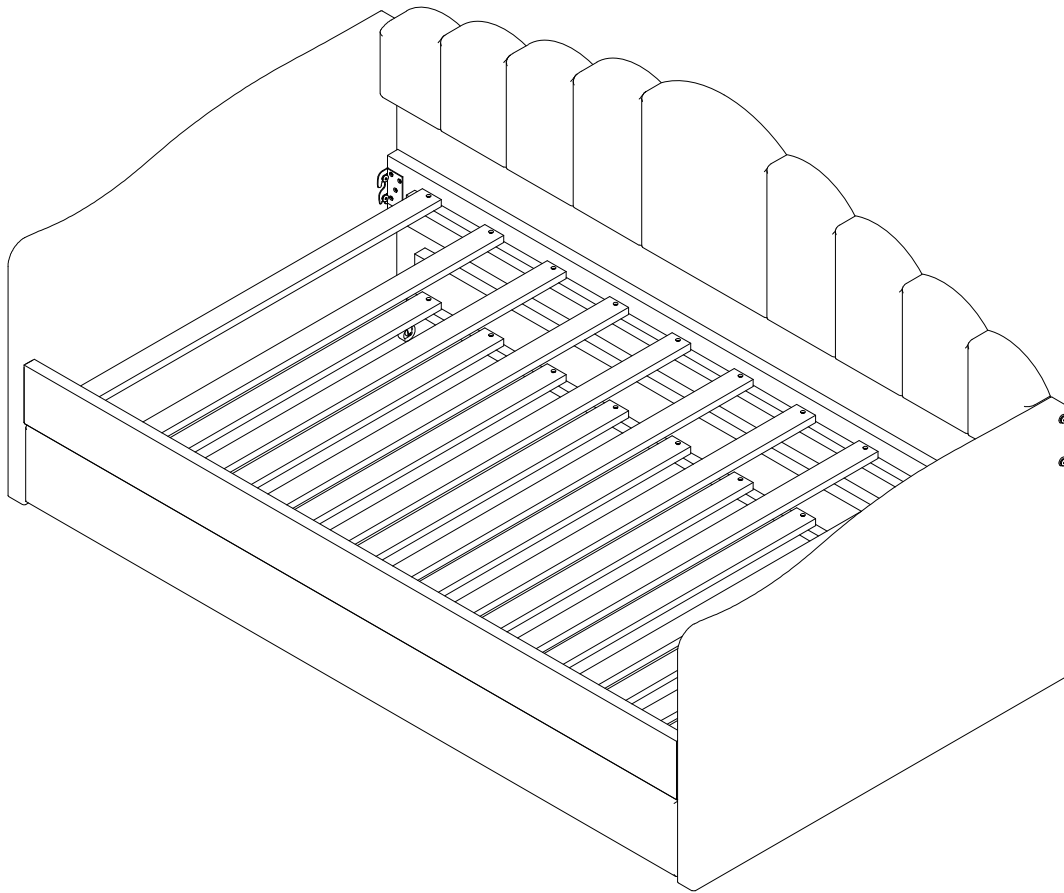
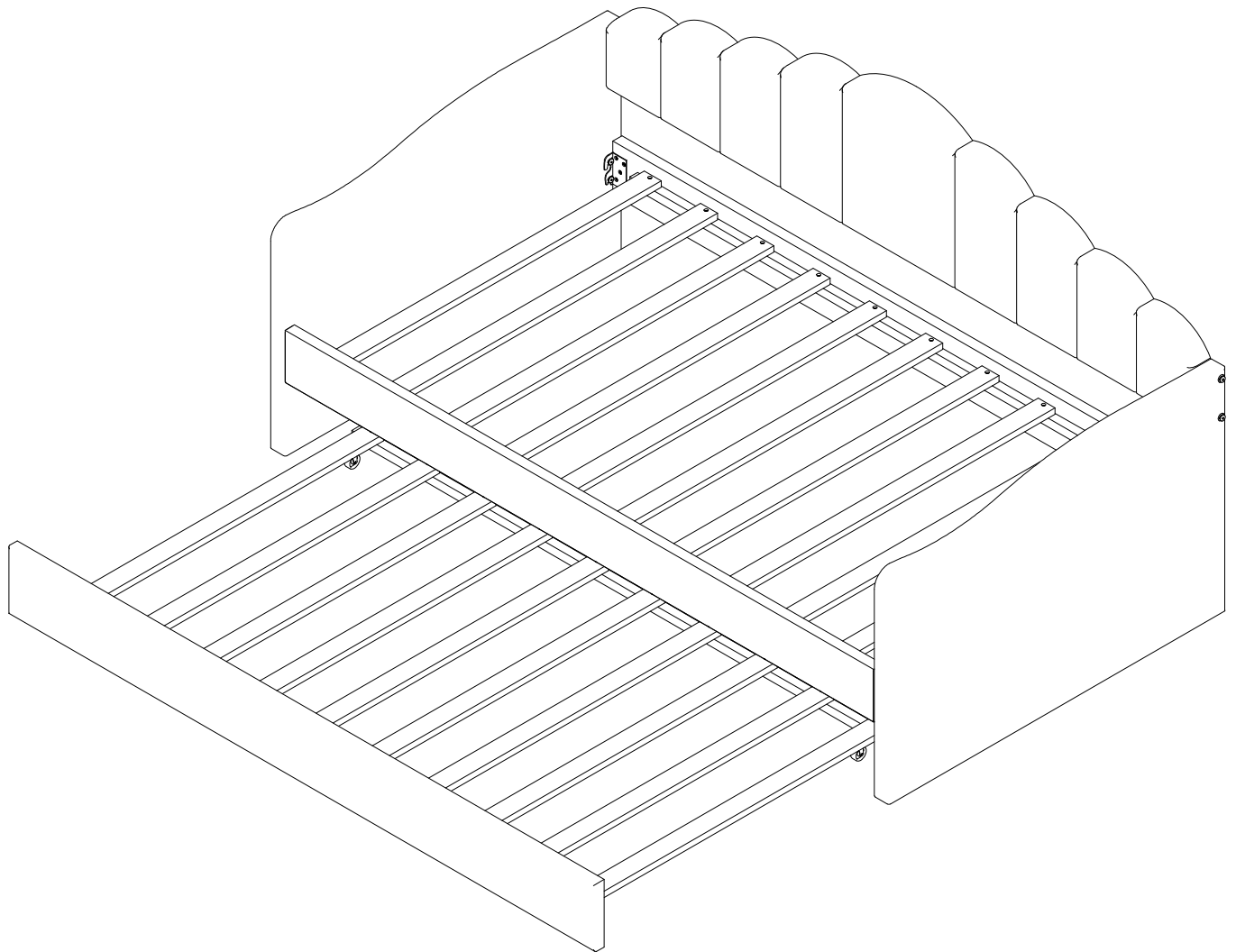
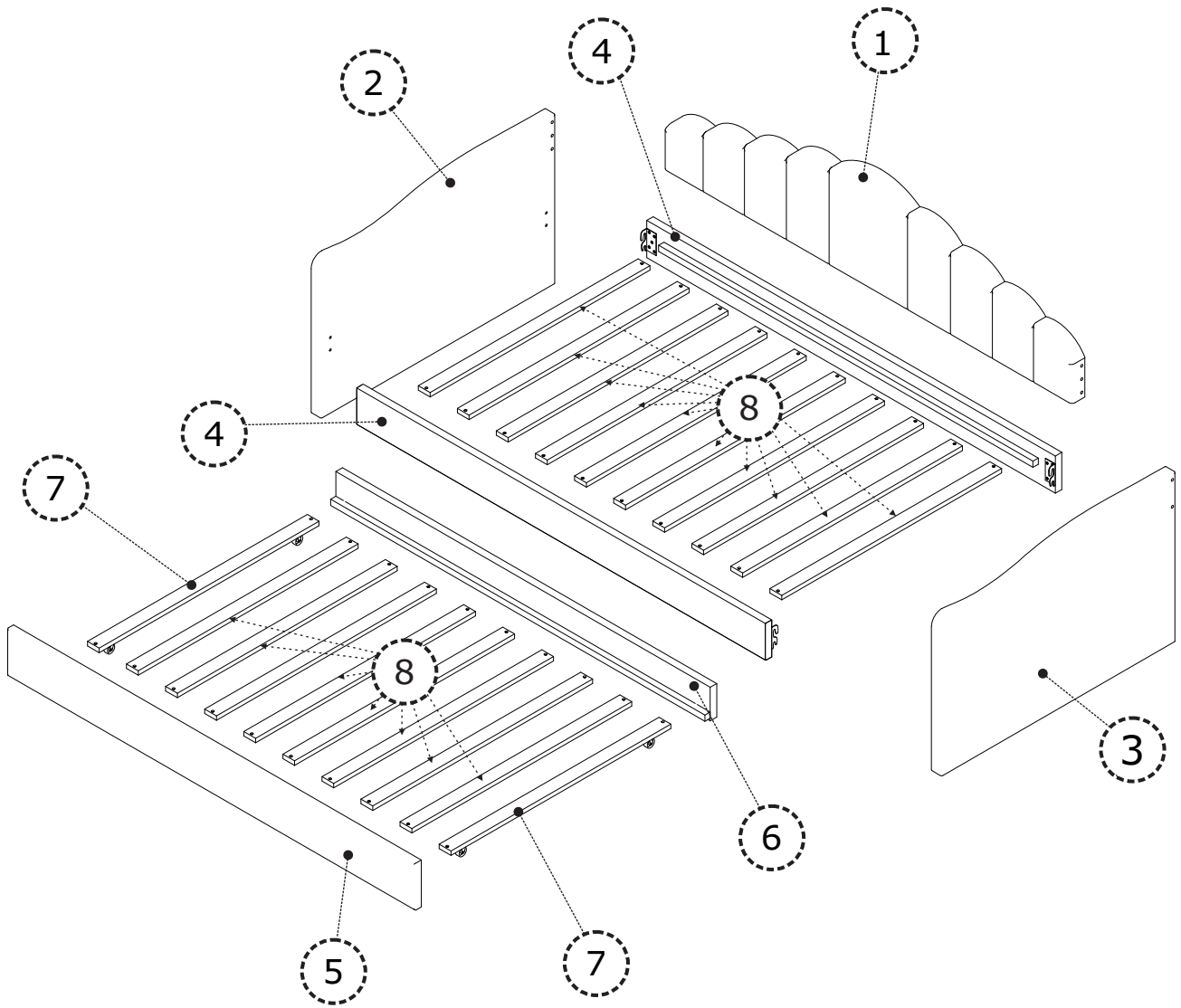


**WF310642**  
**WF310643**



# **ASSEMBLY INSTRUCTIONS**

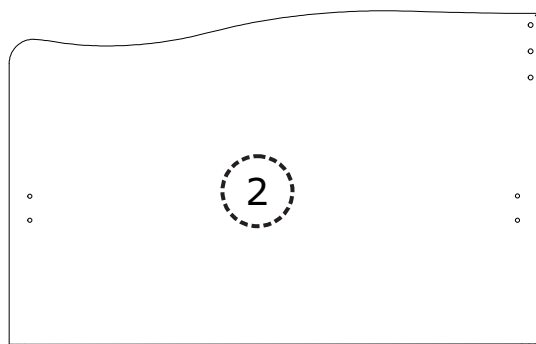




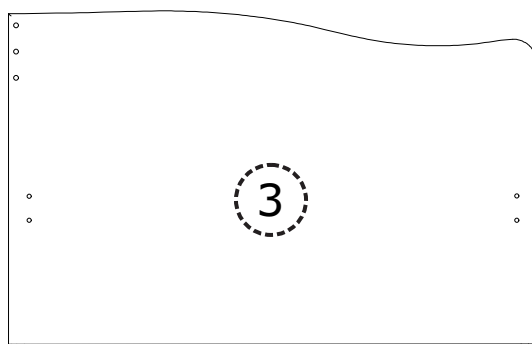
# PARTS

Check that you've received  
all parts listed below.

**BOX: 1/2**  
**WF310642**



(1 pc)



(1 pc)



(18 pcs)



(2 pcs)

**BOX: 2/2**  
**WF310643**



(1 pc)



(2 pcs)



(1 pc)



(1 pc)

Hardware



# HARDWARE

Check that you've received  
all hardware listed below.

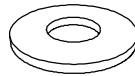
**A**



Ø 5/16" x 38 mm

8 pcs

**B**



Ø 19 x 1.5 mm

12 pcs

**C**



Ø 13 x 1 mm

12 pcs

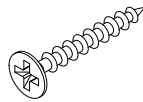
**D**



80 x 23 x 4 mm

1 pc

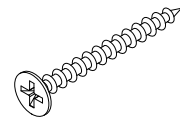
**E**



Ø 4 x 15 mm

16 pcs

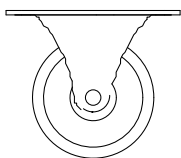
**F**



Ø 4 x 30 mm

40 pcs

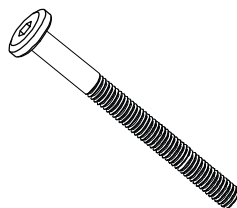
**G**



50 x 45 x 25 mm

4 pcs

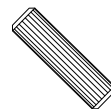
**H**



Ø 5/16" x 110 mm

4 pcs





**I**

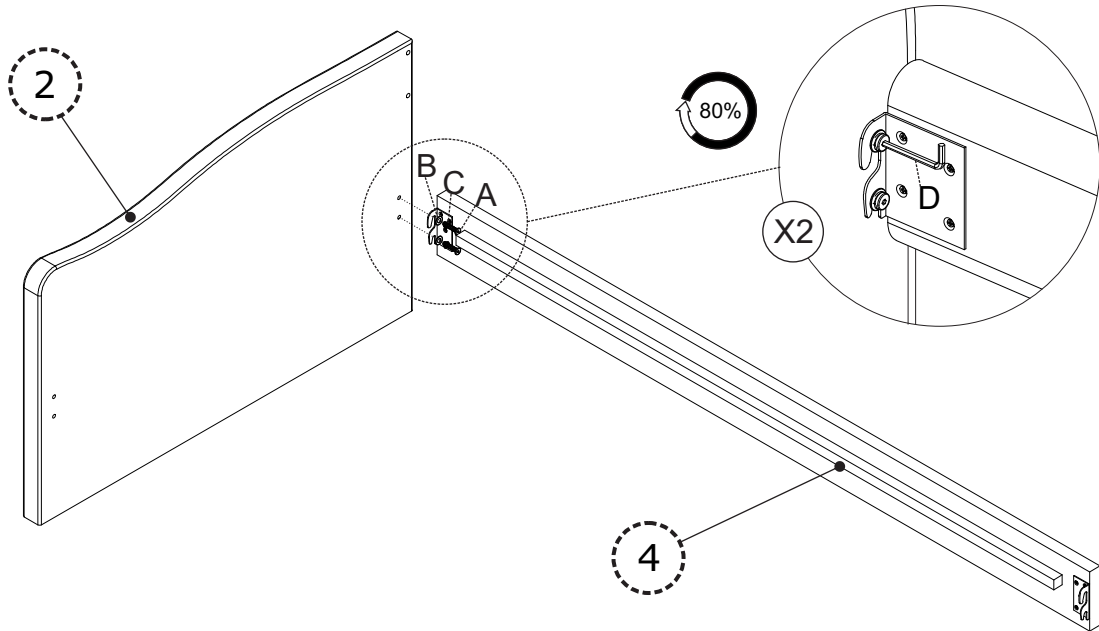


Ø 8 x 20 mm





2 pcs

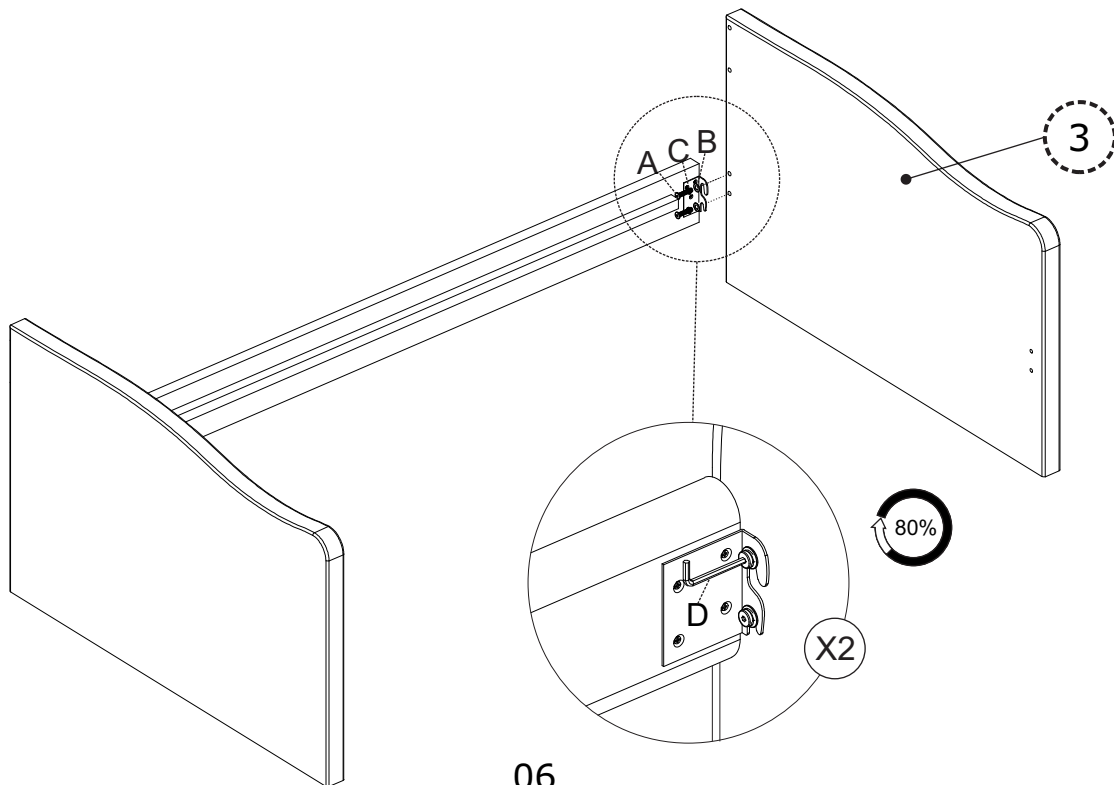
# STEP 1

A x 2  Ø 5/16" x 38 mm	B x 2  Ø 19 x 1.5 mm	C x 2  Ø 13 x 1 mm	D x 1  80 x 23 x 4 mm	
---	---	---	--	--







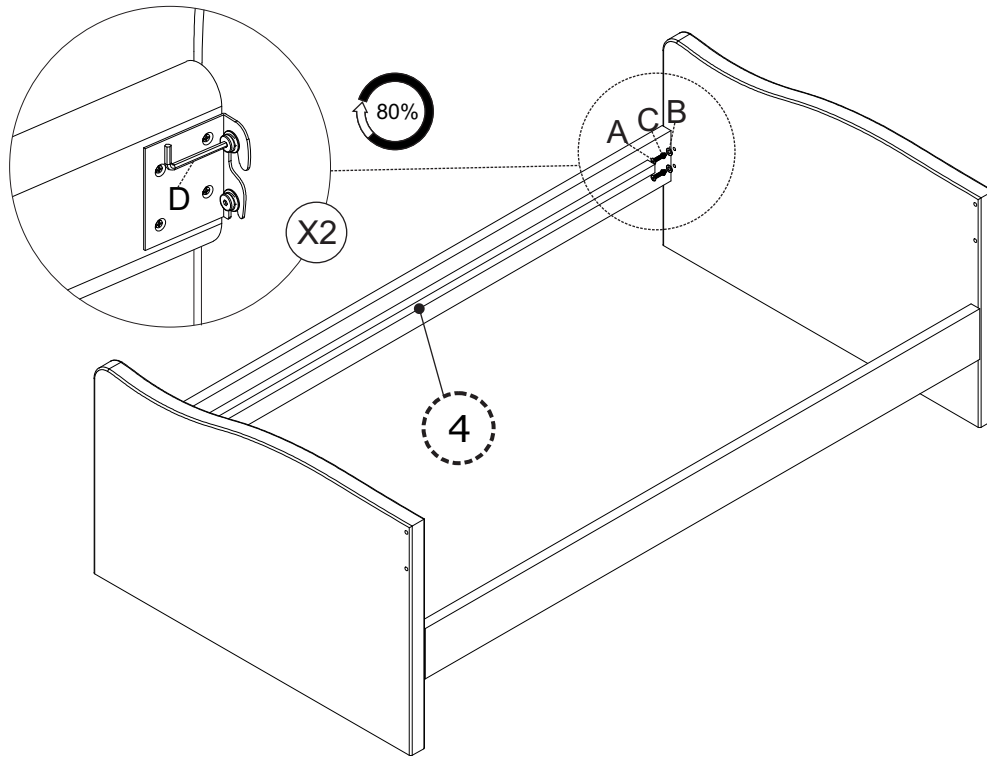
# STEP 2

A x 2  Ø 5/16" x 38 mm	B x 2  Ø 19 x 1.5 mm	C x 2  Ø 13 x 1 mm	D x 1  80 x 23 x 4 mm	
---	---	---	--	--







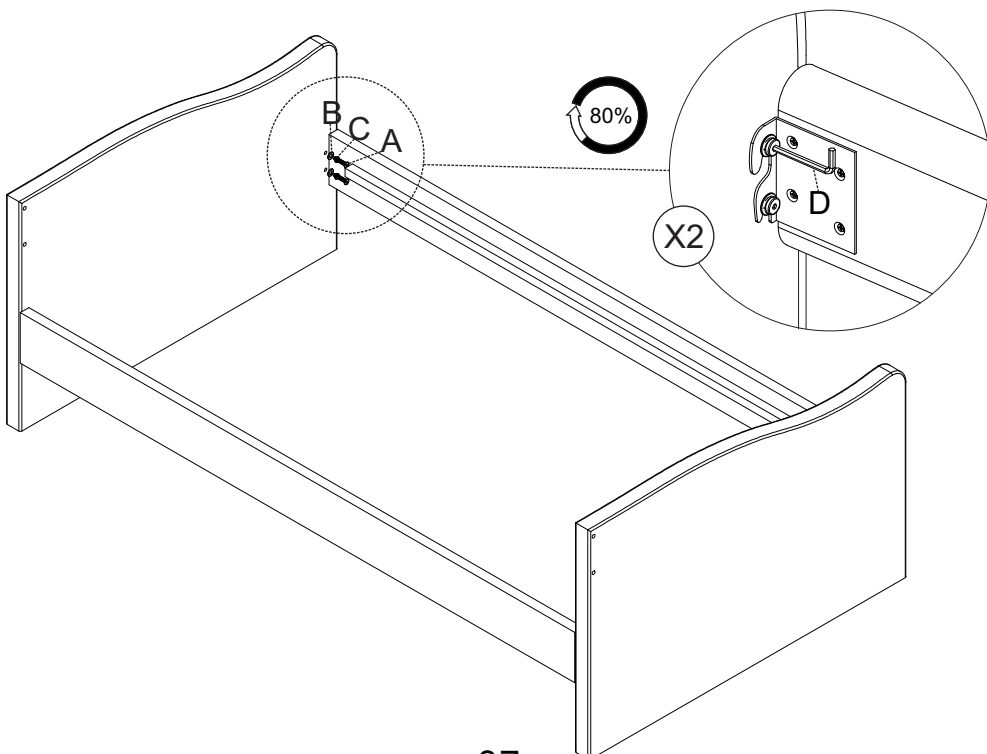
# STEP 3

A x 2  Ø 5/16" x 38 mm	B x 2  Ø 19 x 1.5 mm	C x 2  Ø 13 x 1 mm	D x 1  80 x 23 x 4 mm	
---	---	---	--	--

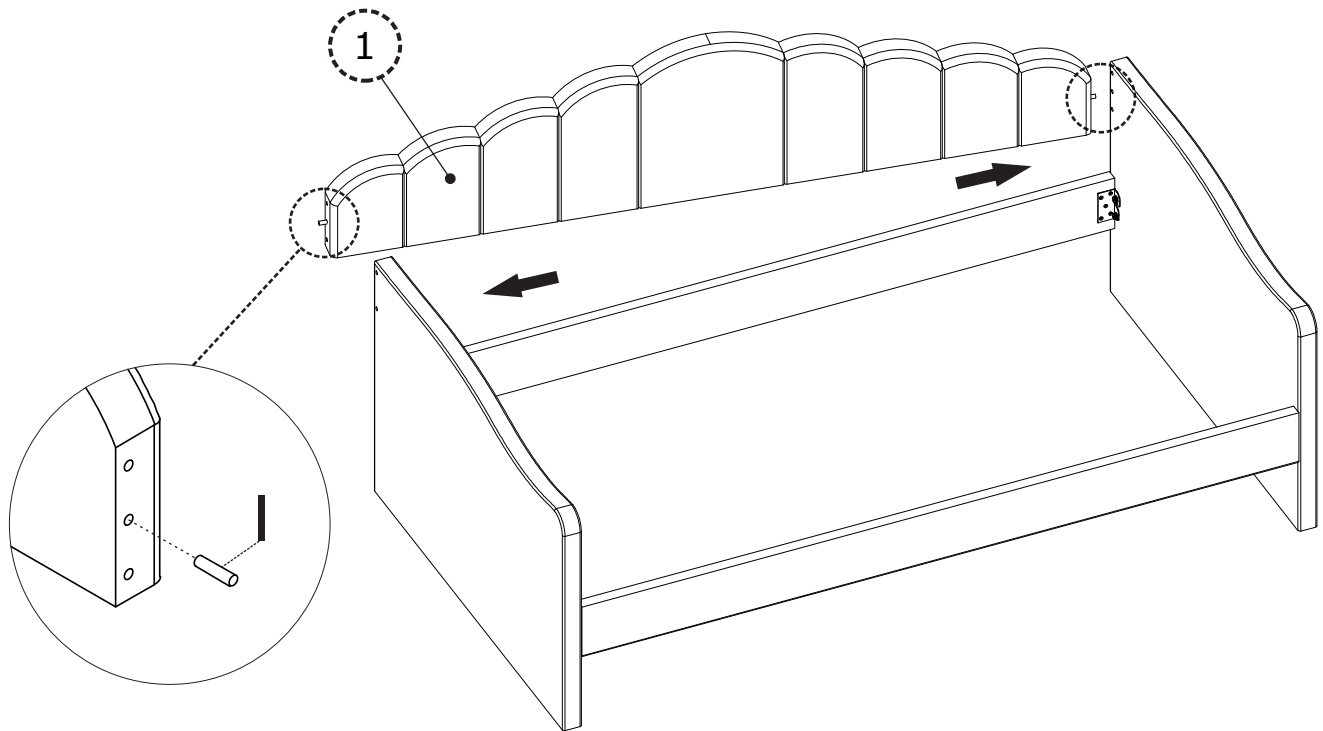
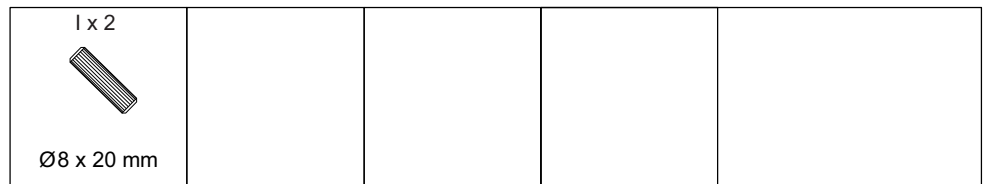


# STEP 4

A x 2  Ø 5/16" x 38 mm	B x 2  Ø 19 x 1.5 mm	C x 2  Ø 13 x 1 mm	D x 1  80 x 23 x 4 mm	
---	---	---	--	--







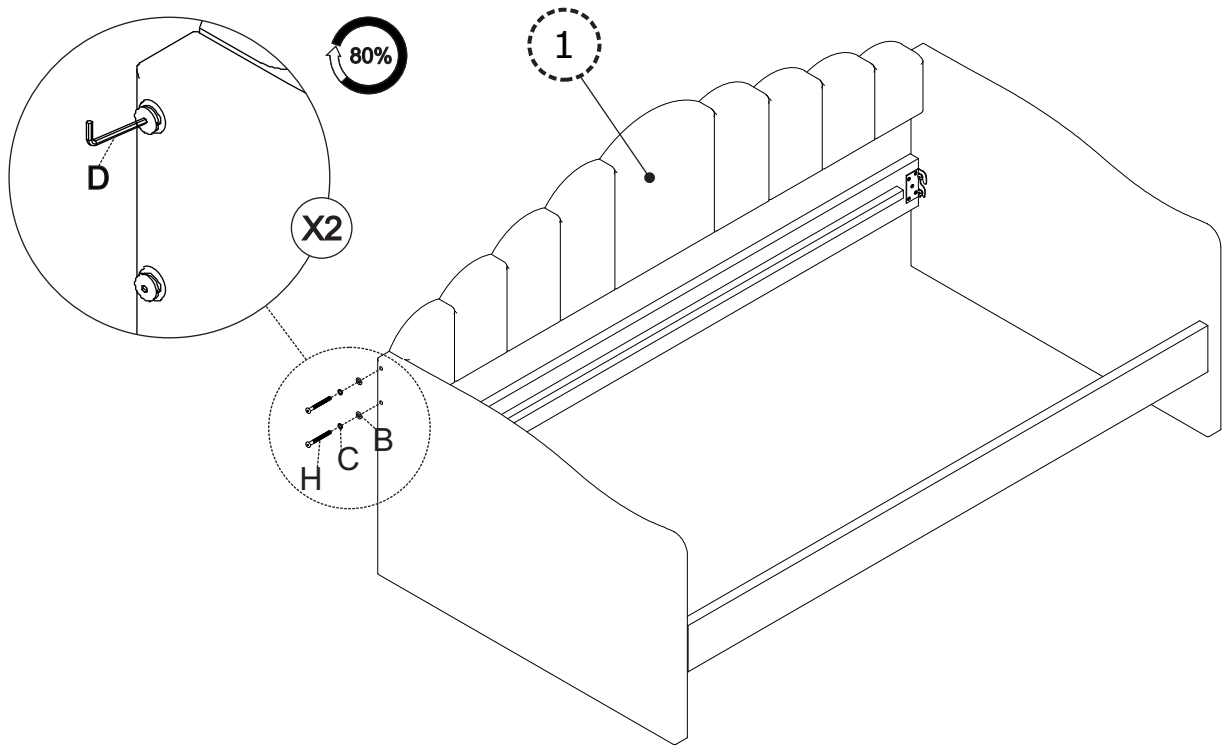
# STEP 5









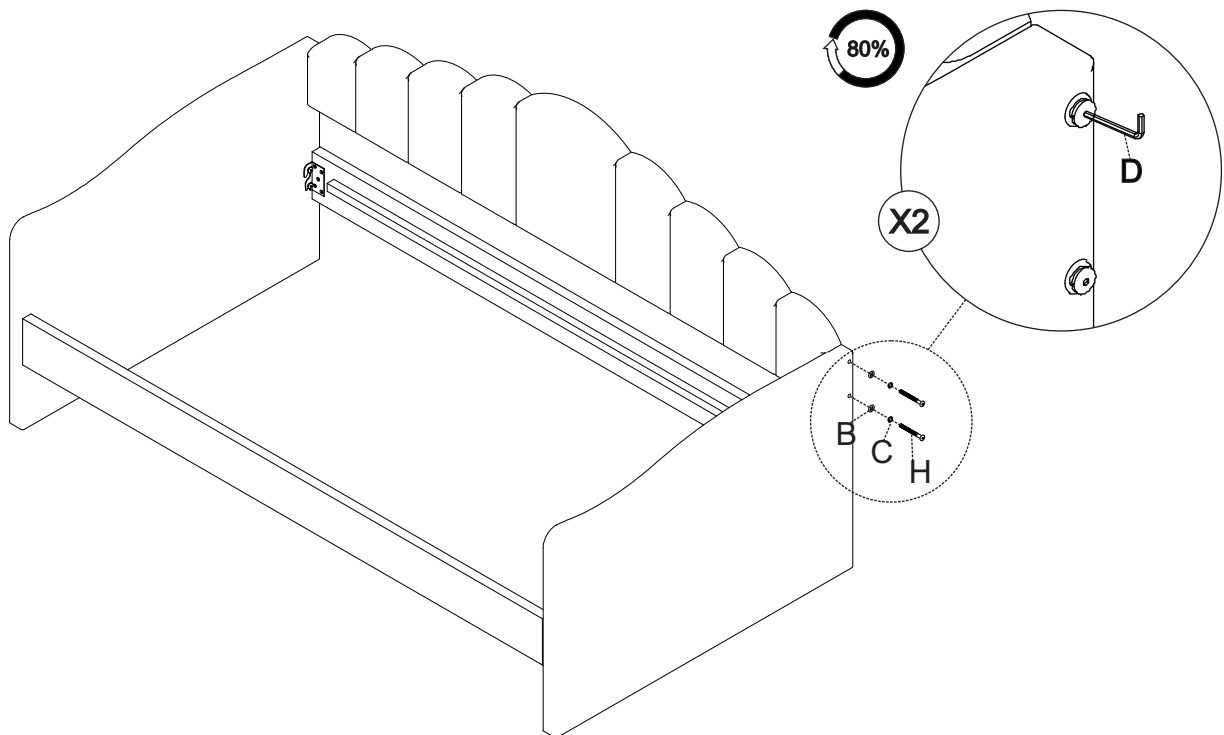
# STEP 6

H x 2  Ø 5/16" x 110 mm	B x 2  Ø 19 x 1.5 mm	C x 2  Ø 13 x 1 mm	D x 1  80 x 23 x 4 mm	
--	---	---	--	--

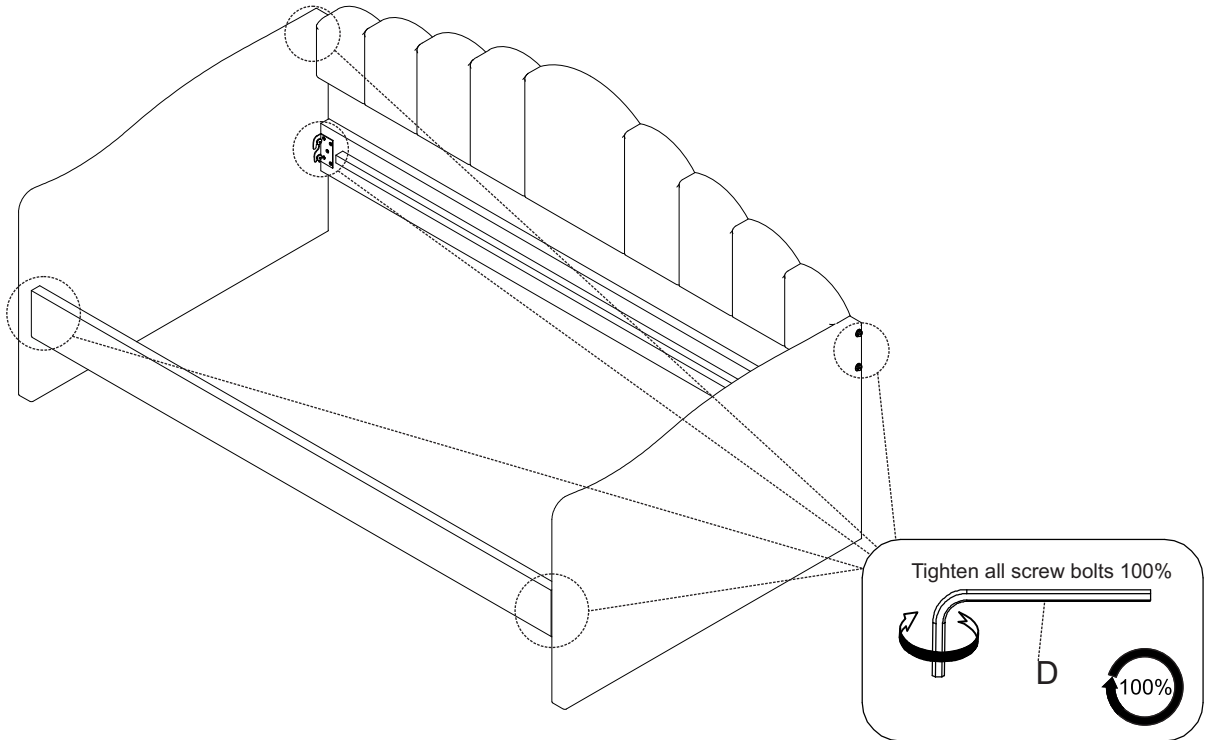
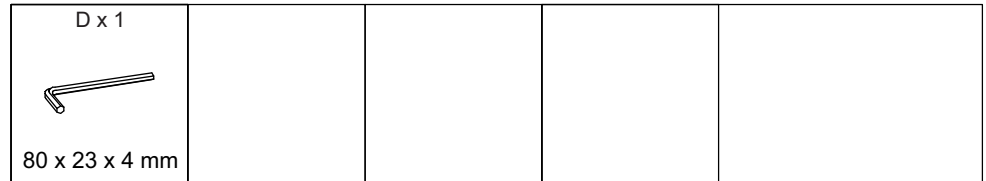


# STEP 7

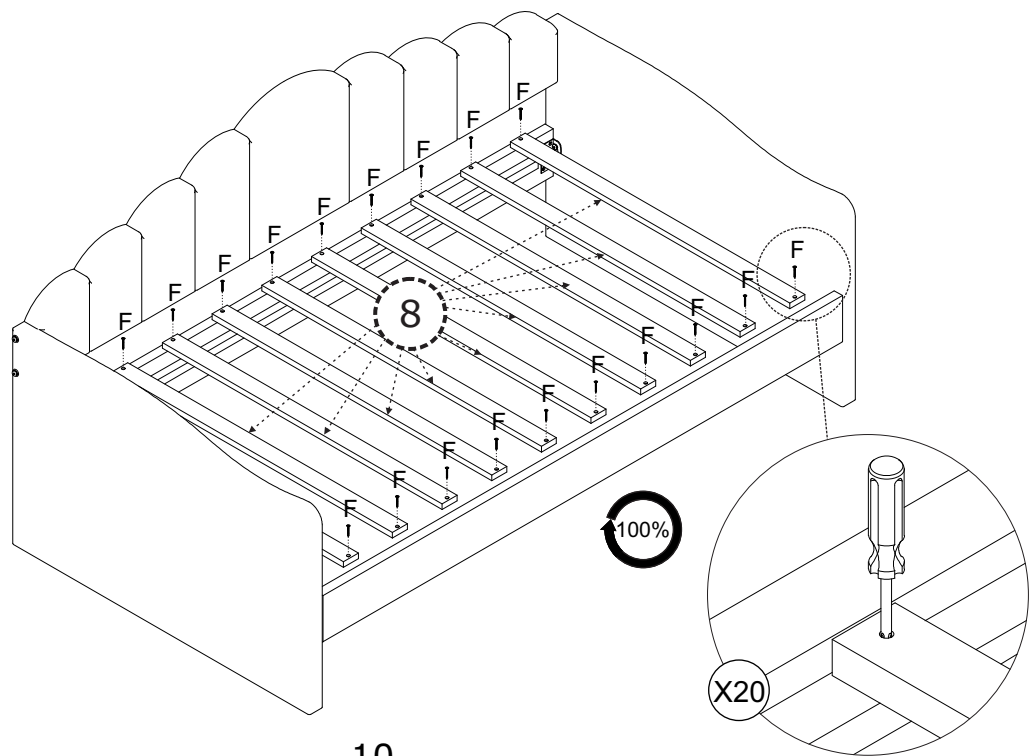
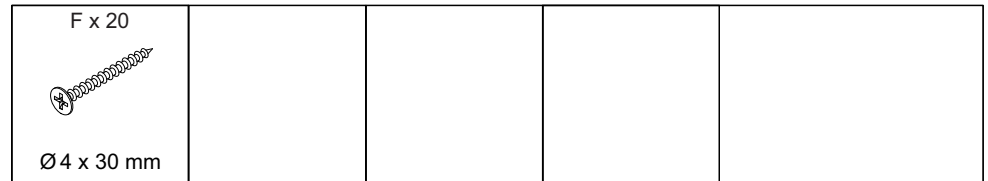
H x 2  Ø 5/16" x 110 mm	B x 2  Ø 19 x 1.5 mm	C x 2  Ø 13 x 1 mm	D x 1  80 x 23 x 4 mm	
--	---	---	--	--



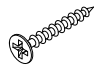
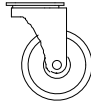
# STEP 8

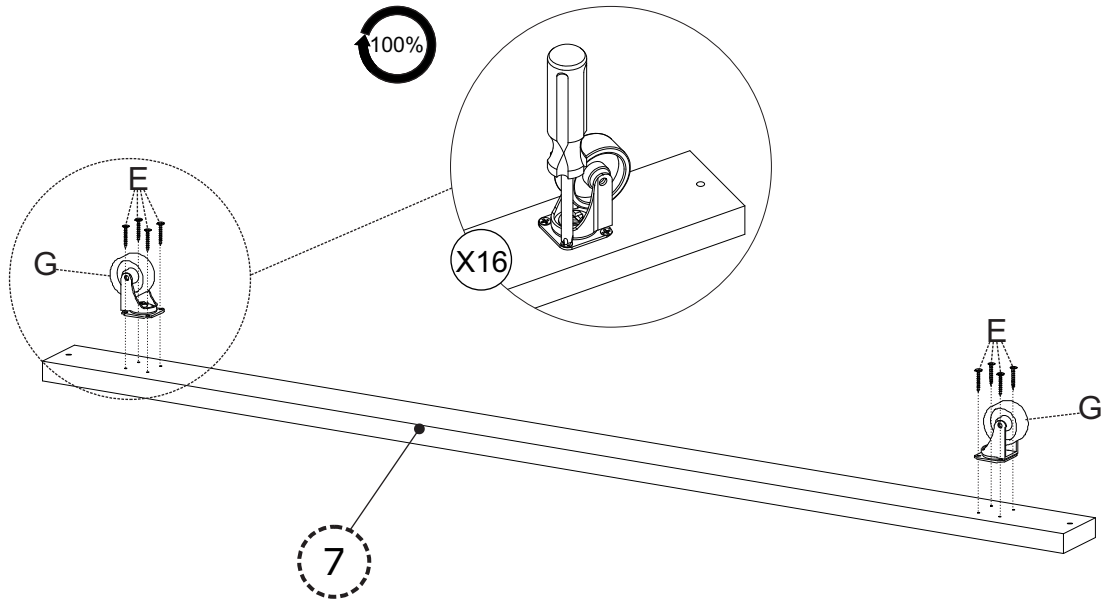


# STEP 9

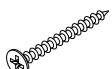


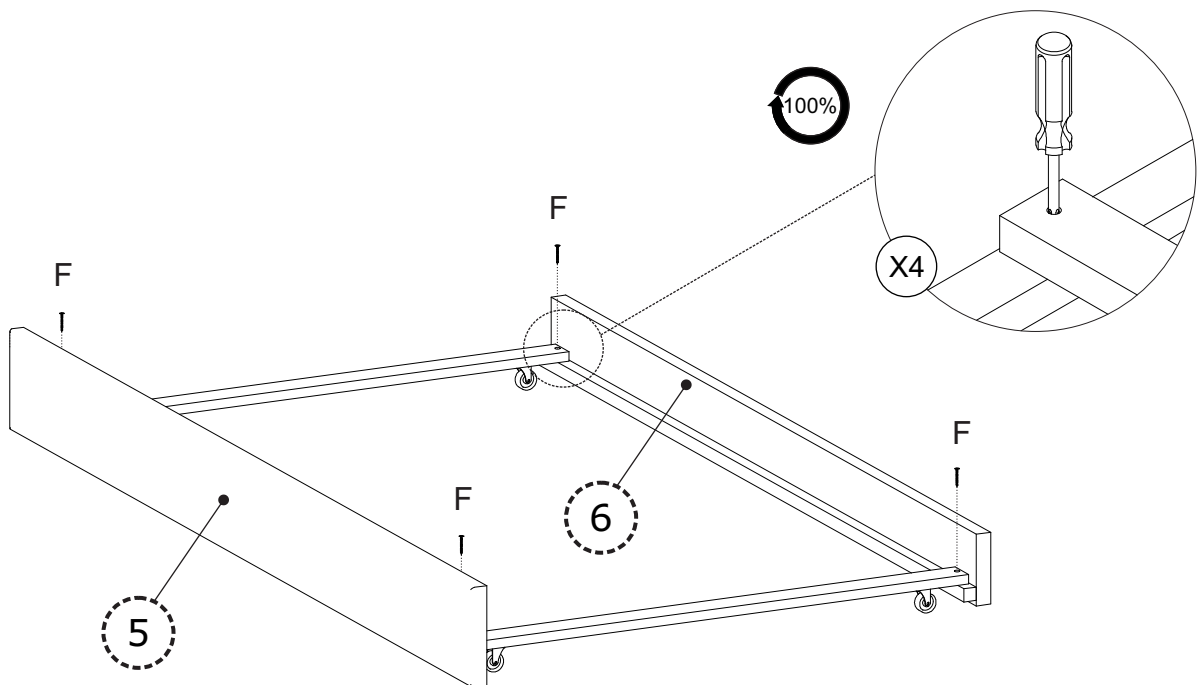
# STEP 10

E x 16  Ø4 x 15 mm	G x 4 			
---	--	--	--	--

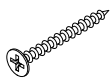


# STEP 11

F x 4  Ø4 x 30 mm				
--	--	--	--	--



# STEP 12

F x 20  Ø4 x 30 mm				
---	--	--	--	--

