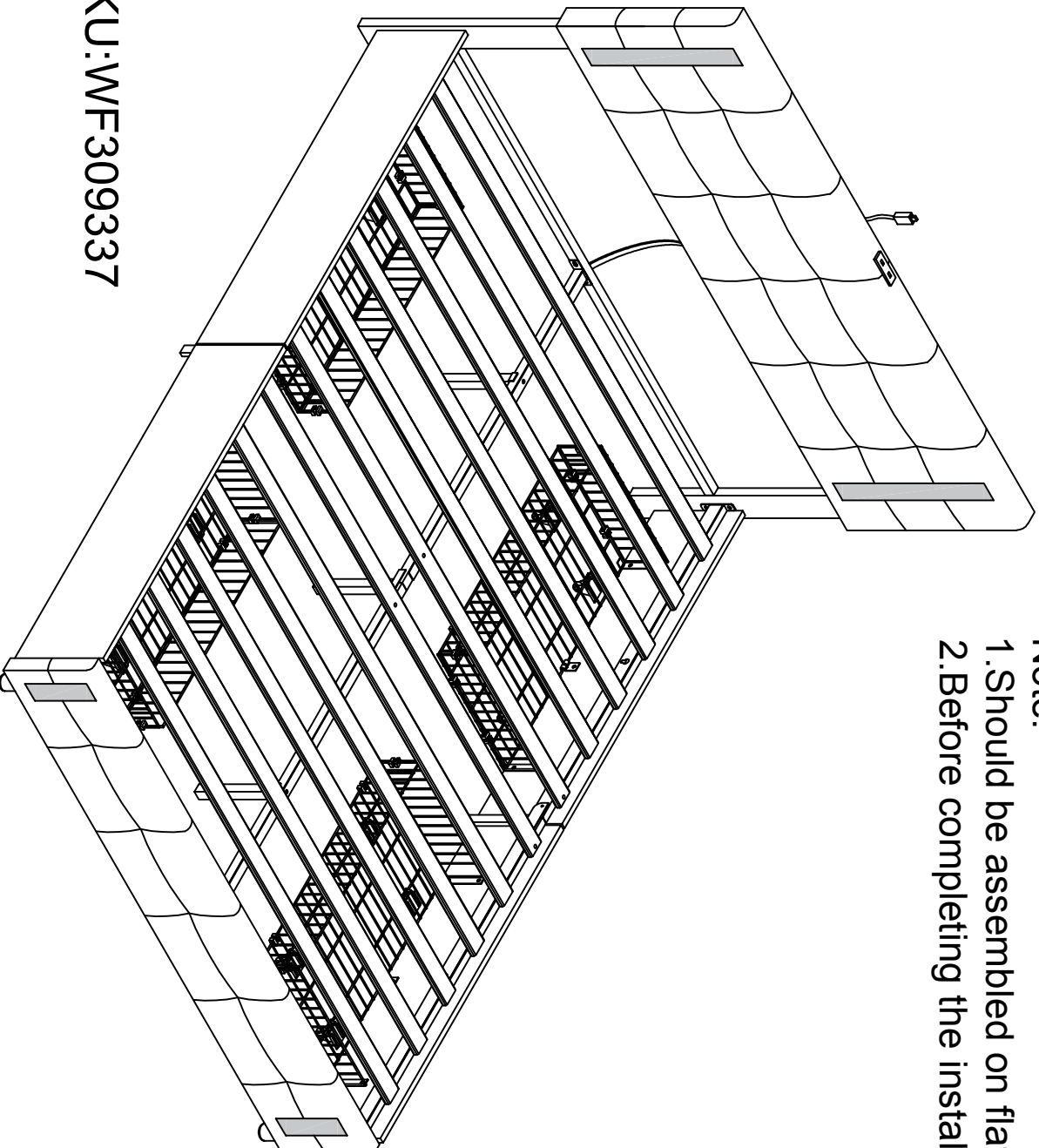


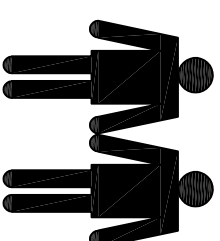
Assembly Instruction

Note:

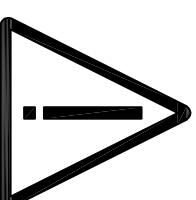
1. Should be assembled on flat ground to keep balance.
2. Before completing the installation, do not tighten the screws.



SKU:WF309337

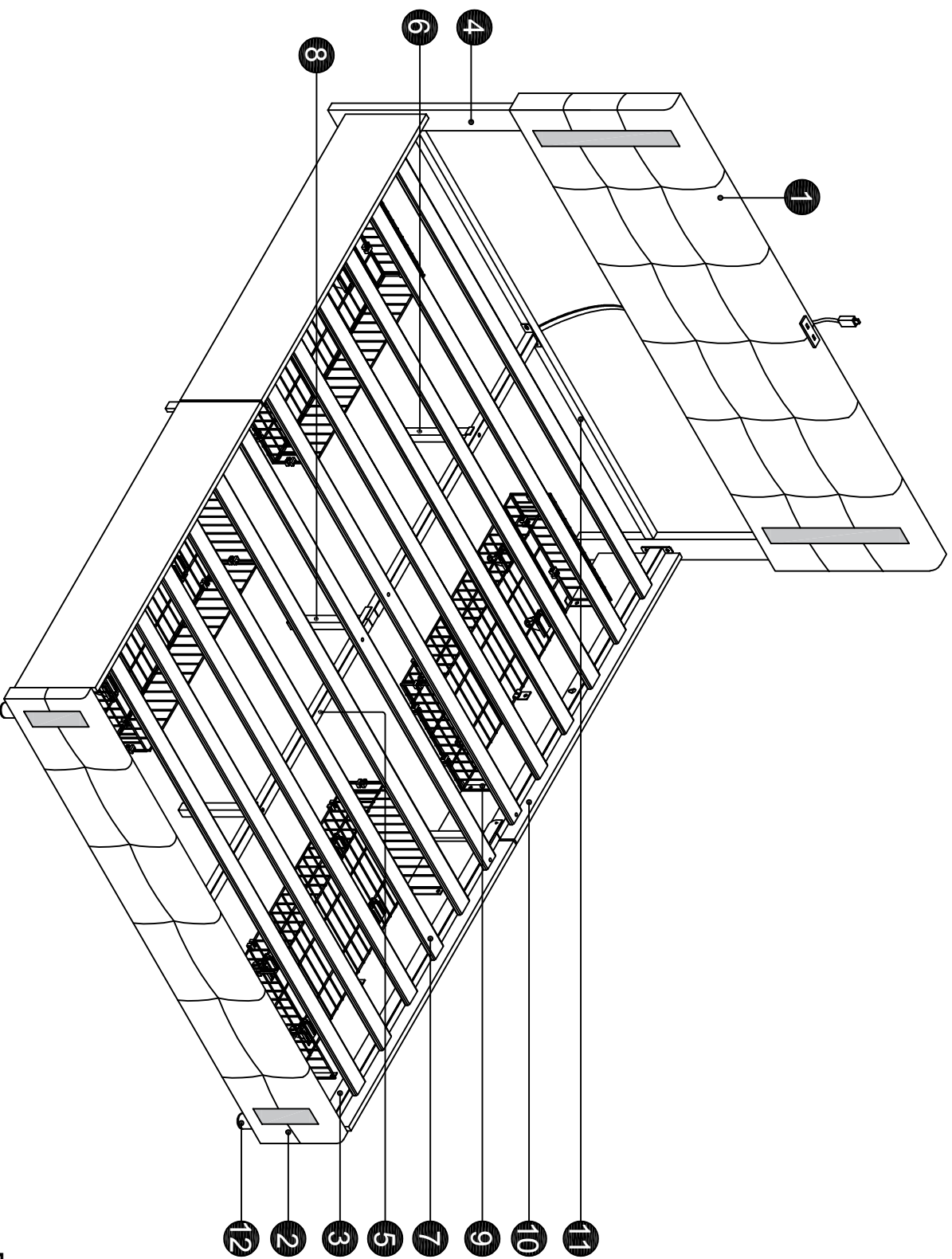


You must be need
two people to install ! !



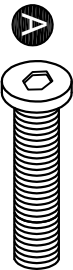
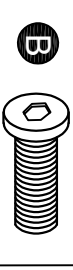
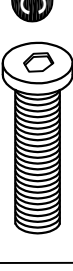
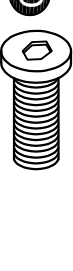

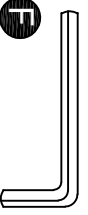
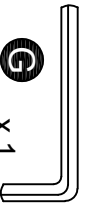
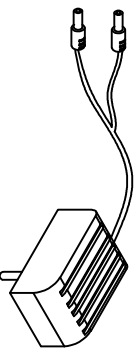
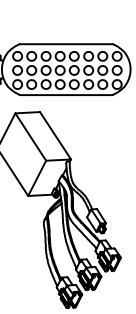
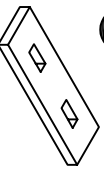
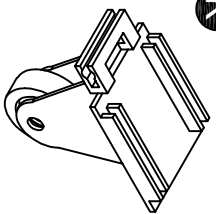

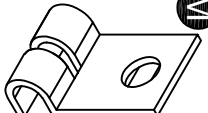

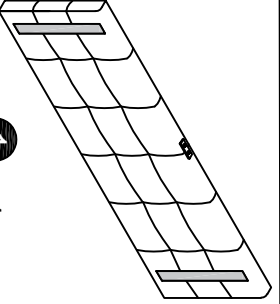
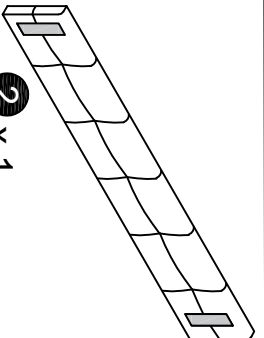
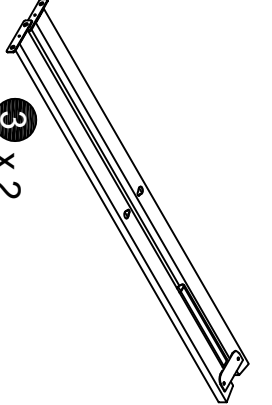
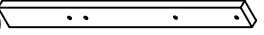
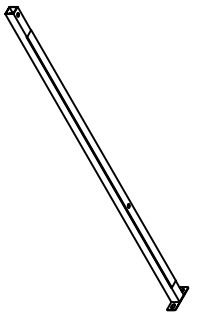
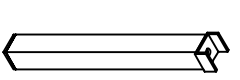
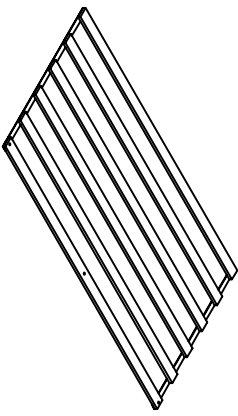
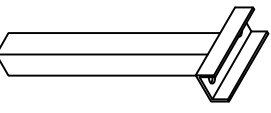
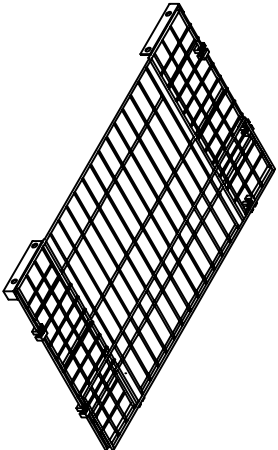
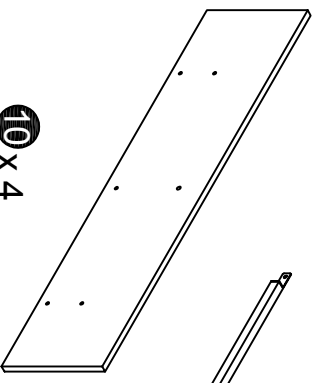
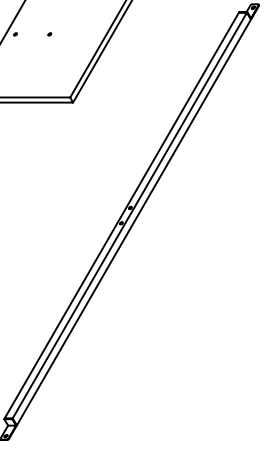
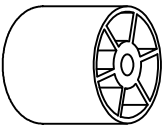
Before starting the
assembly, you must
read the whole
manual and follow
the instructions

Assembly Instruction

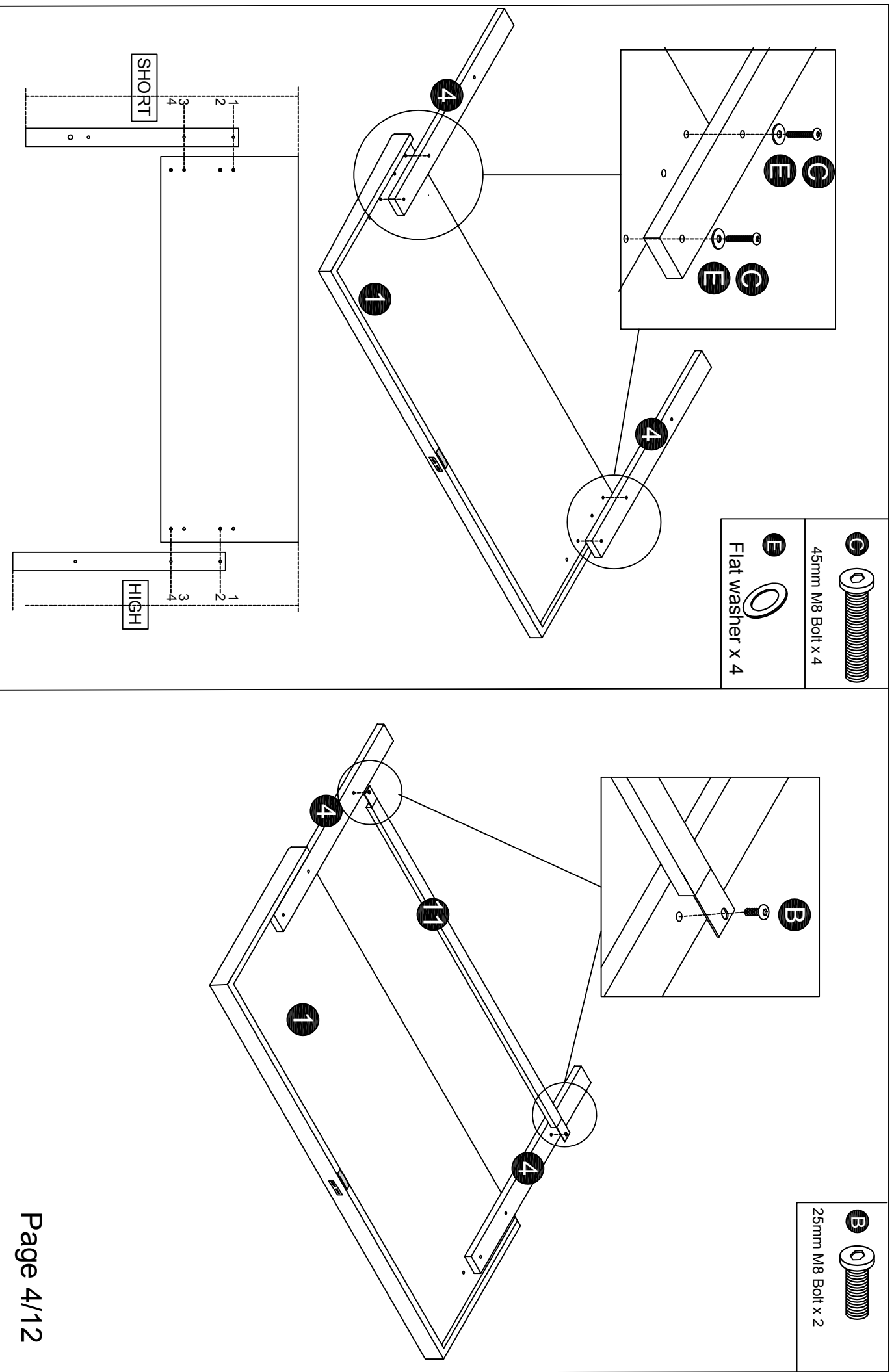


Assembly Instruction

Hardware Parts

A 35mm M6 Bolt x 8 	B 25mm M8 Bolt x 14 	C 45mm M8 Bolt x 6 	D 15mm M6 Bolt x 26 	E Flat washer x 4 	F 4mm 	G 5mm 
H X 1 	I X 1 Unplug the battery separator of the remote control before use 	J X 1 	K X 16 	L X 8 	M X 4 	N X 4 
Part list						
1 X 1 	2 X 1 	3 X 2 	4 X 2 	5 X 2 	6 X 2 	
7 X 2 	8 X 1 	9 X 4 	10 X 4 	11 X 1 	12 X 2 	

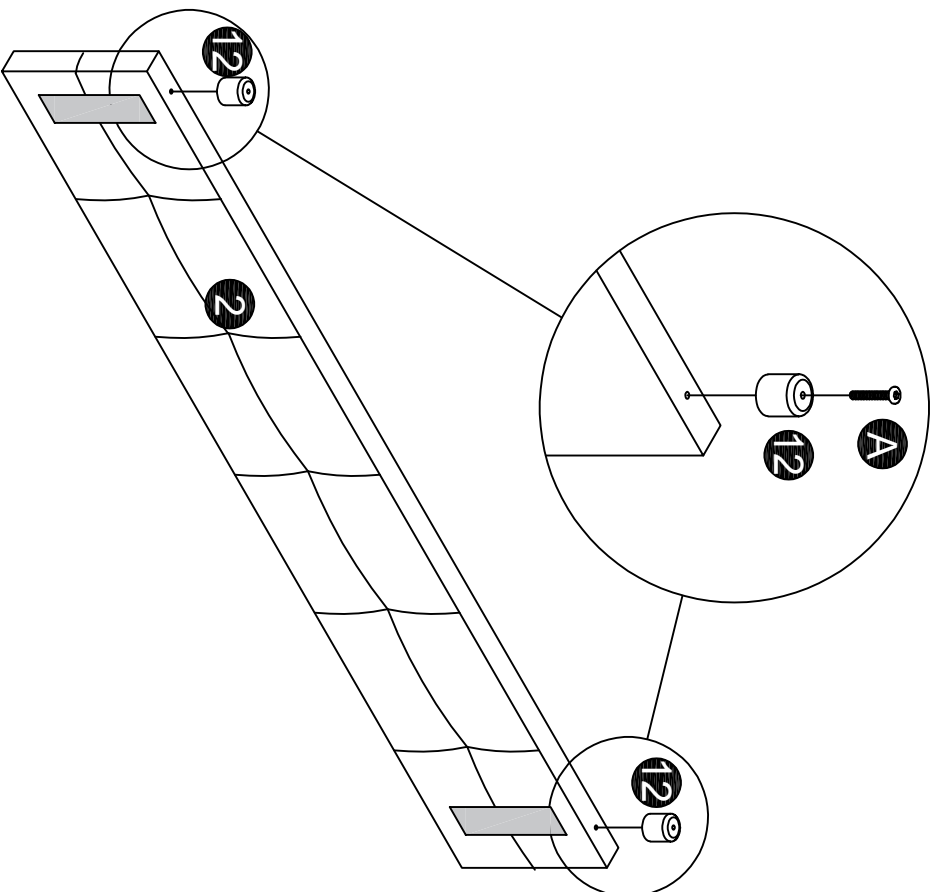
Assembly Instruction



Assembly Instruction



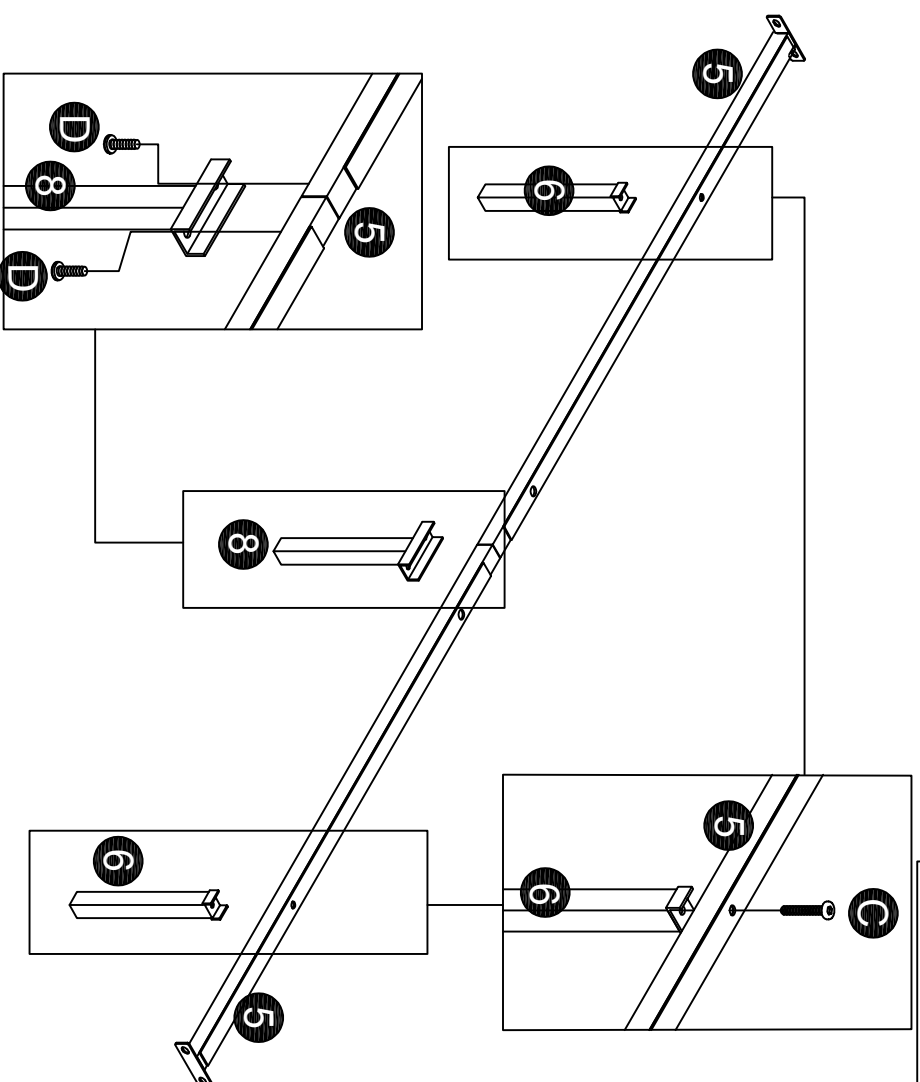
35mm M6 Bolt x 2



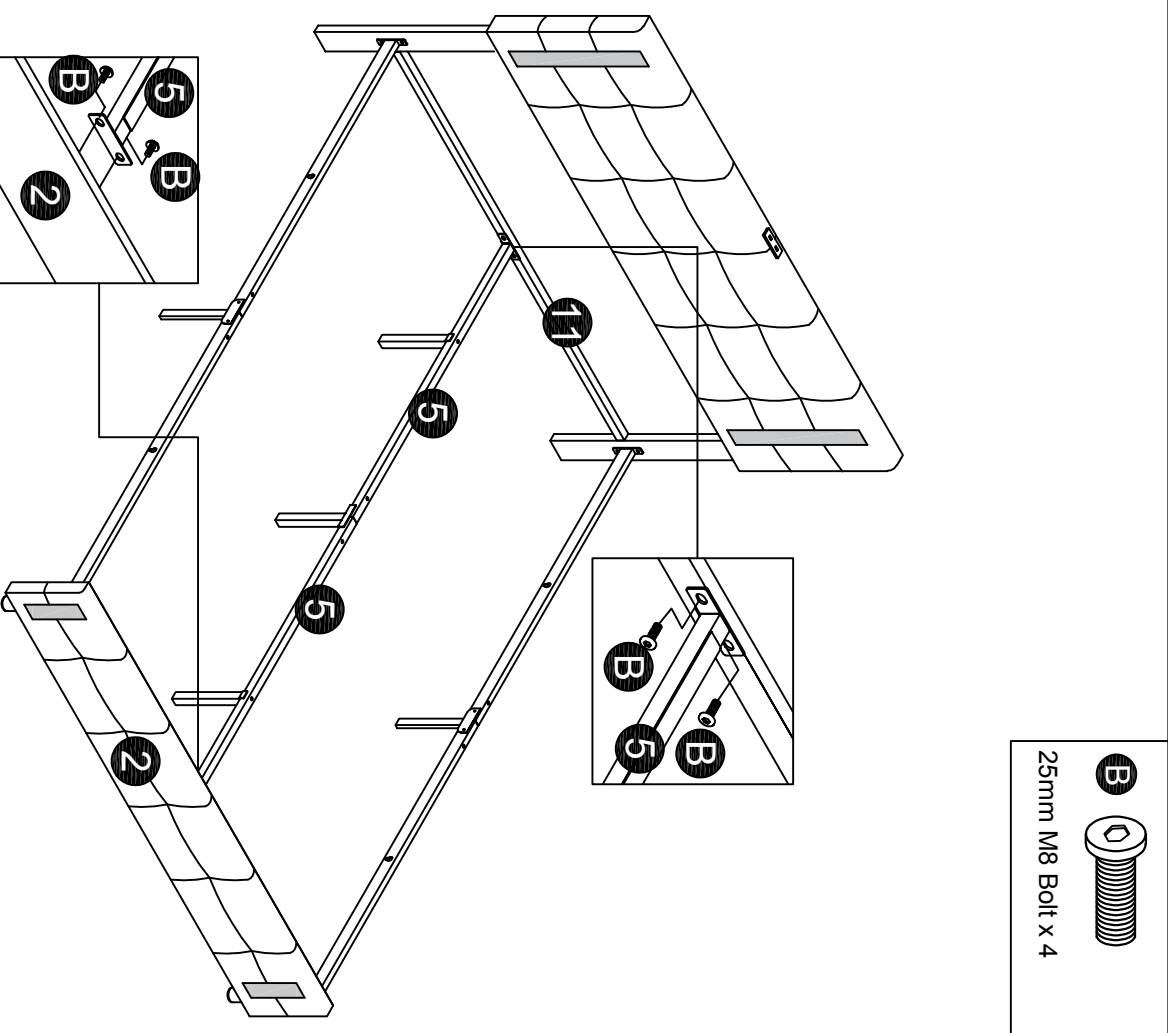
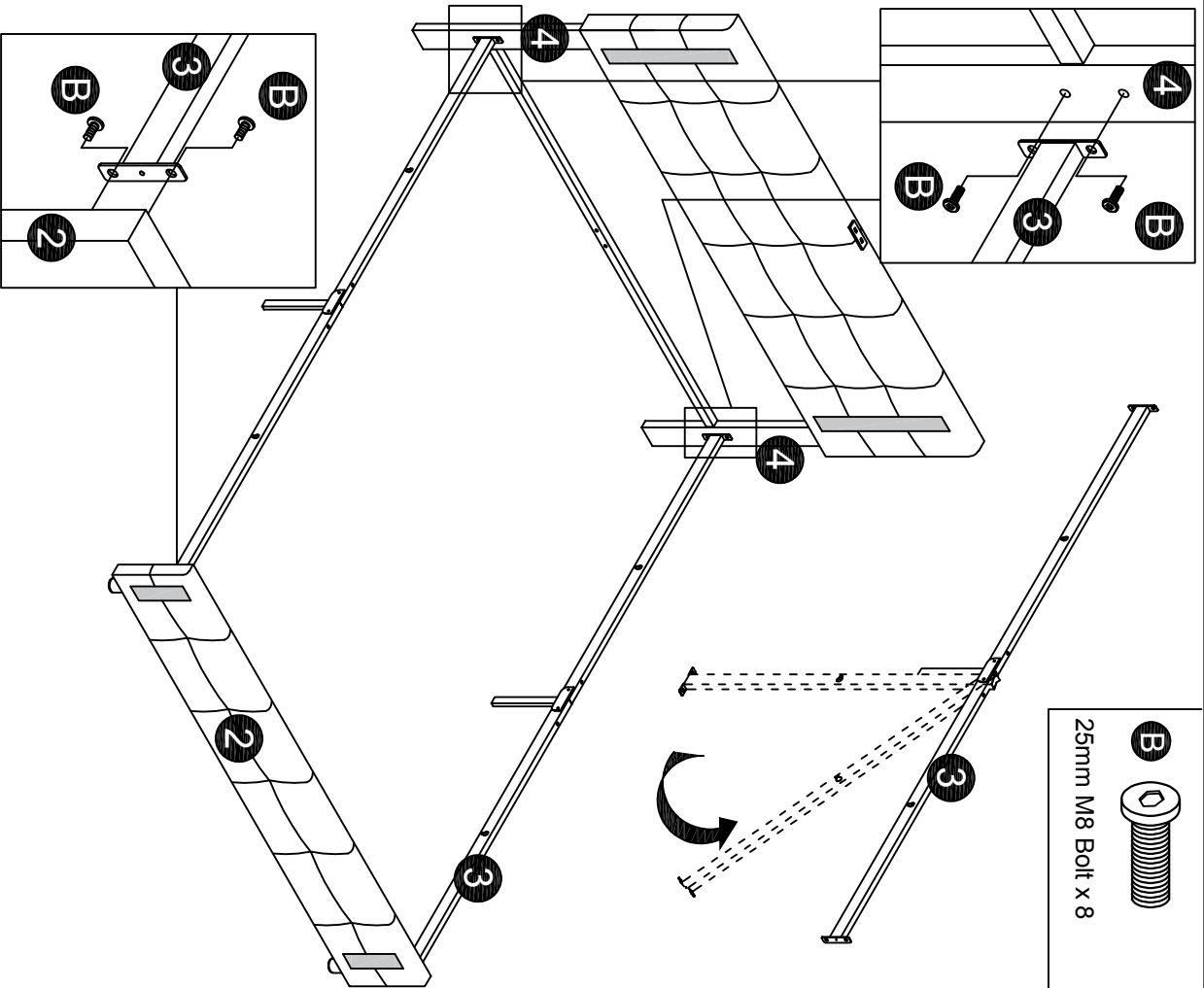
45mm M8 Bolt x 2



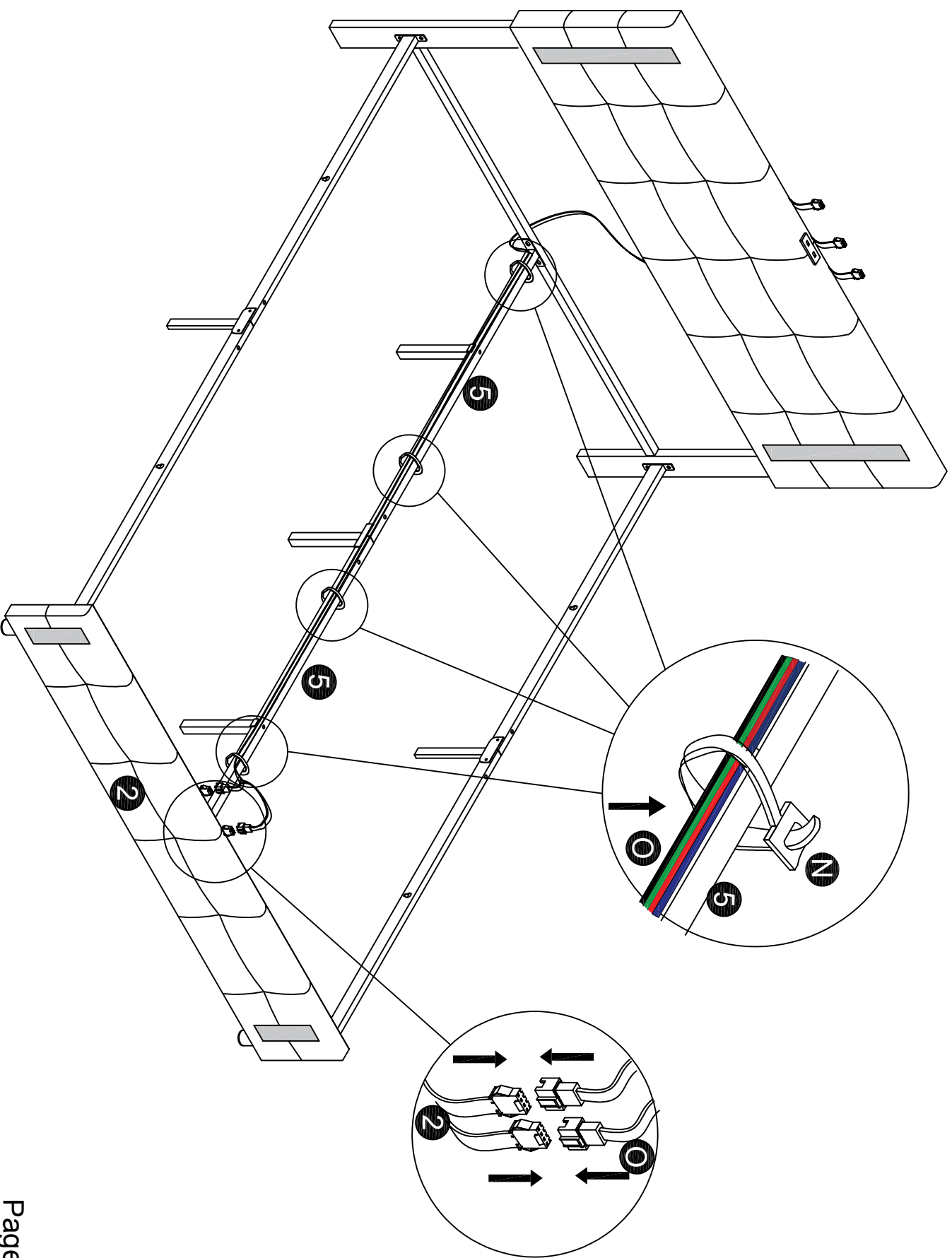
15mm M6 Bolt x 2



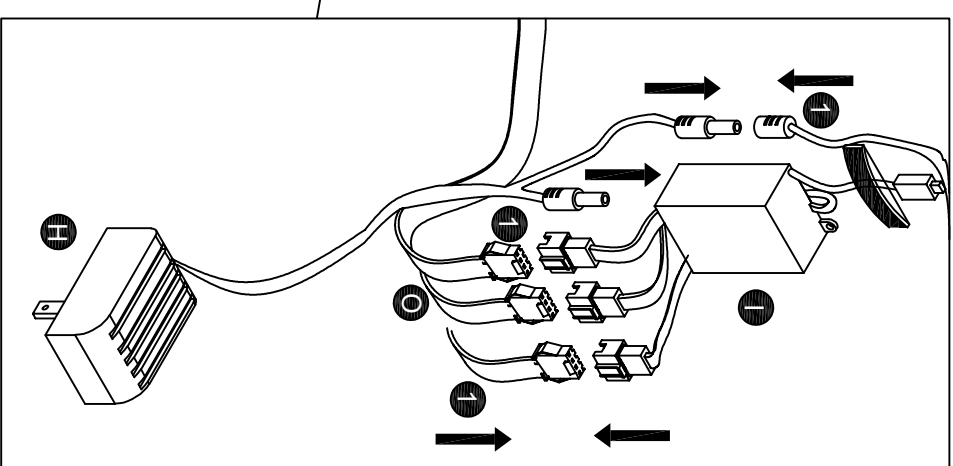
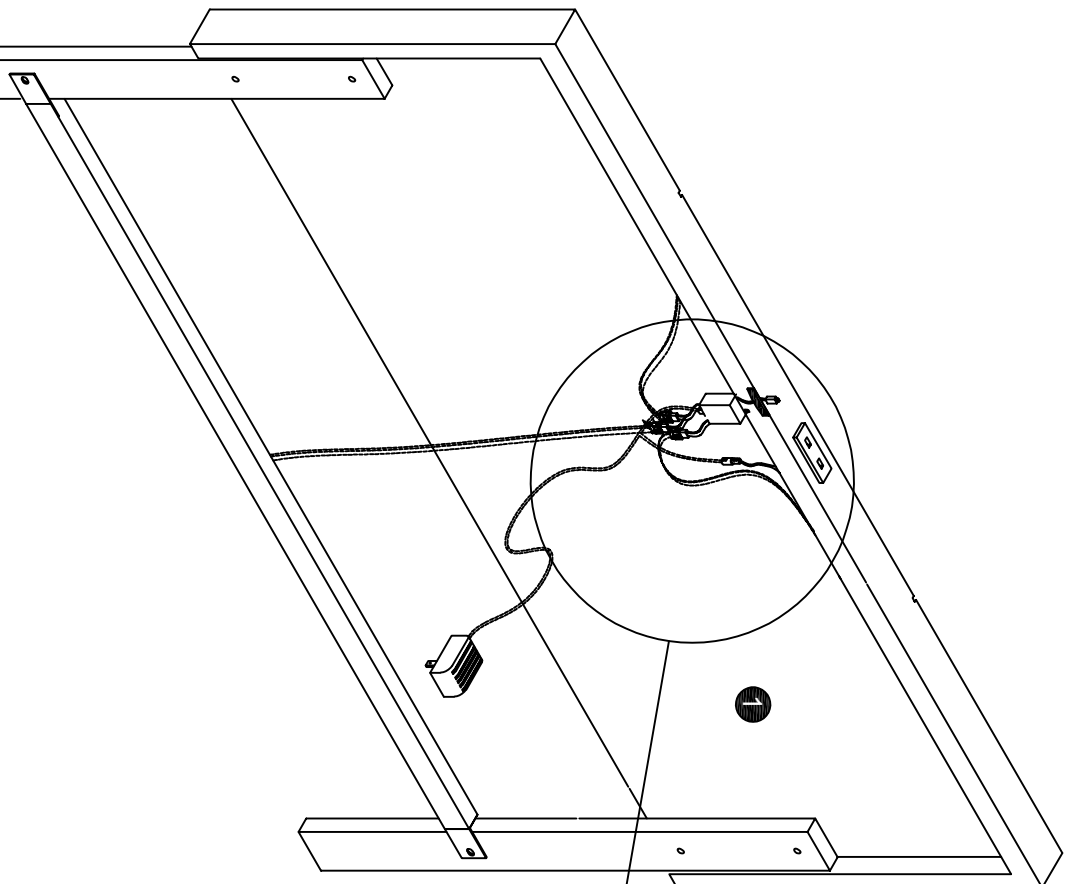
Assembly Instruction



Assembly Instruction

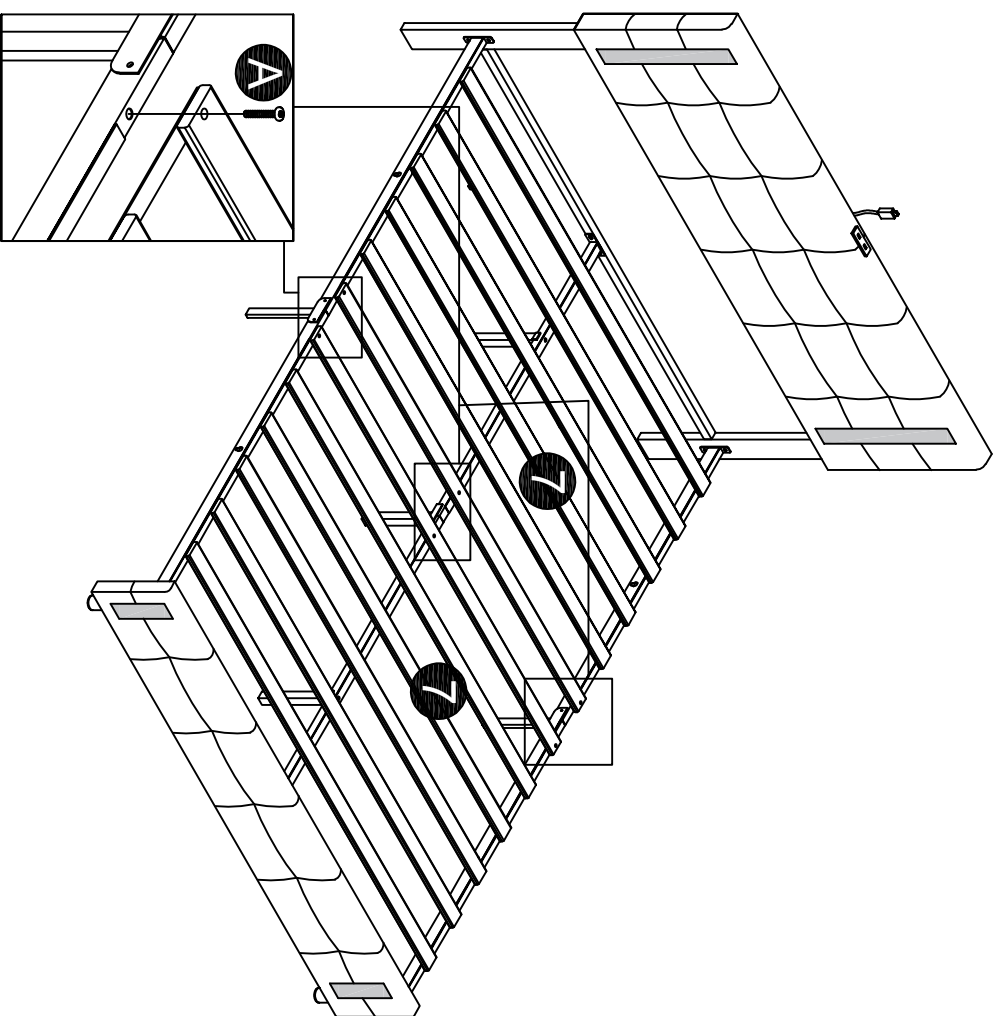
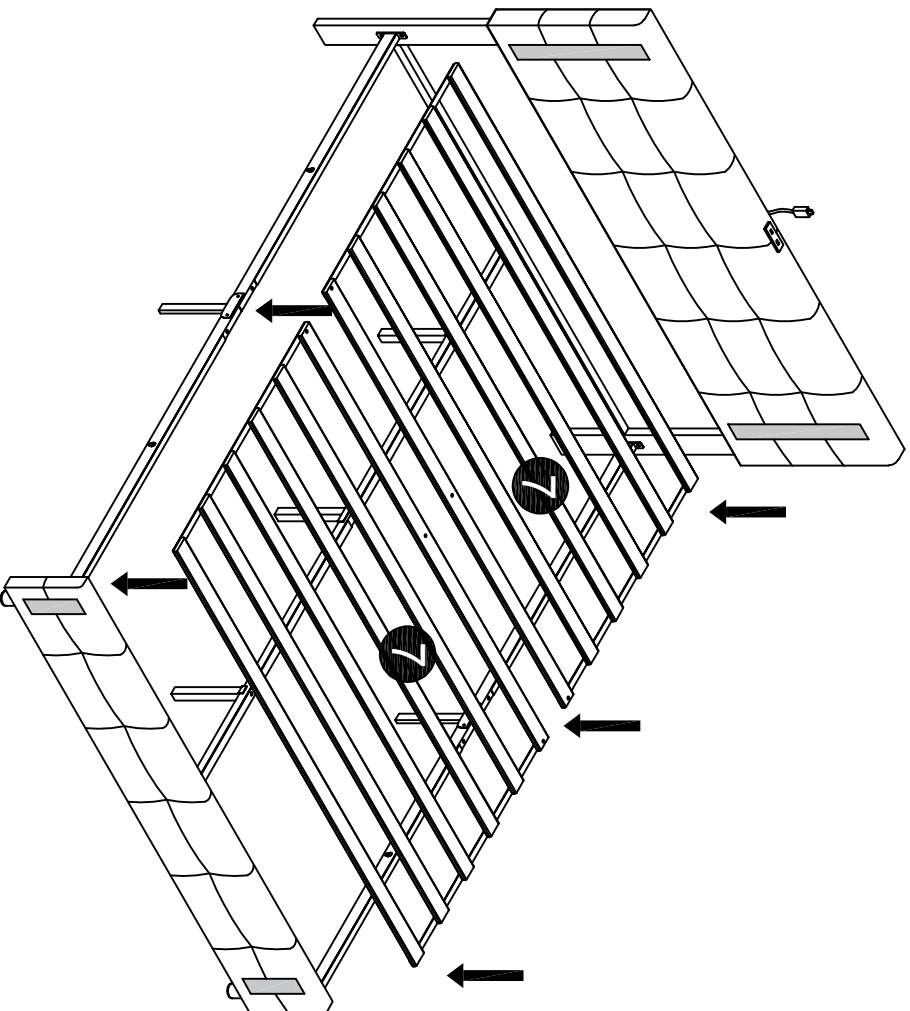


Assembly Instruction



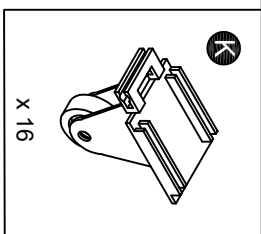
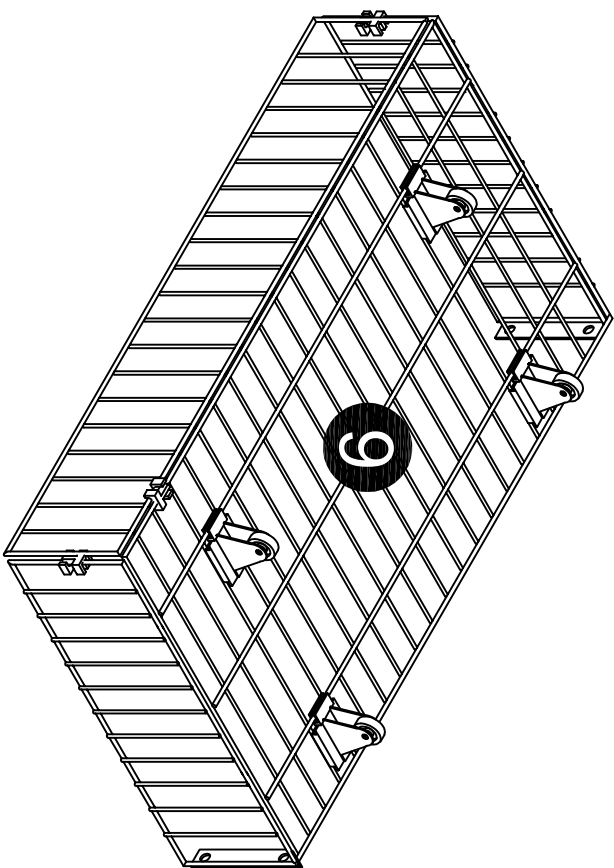
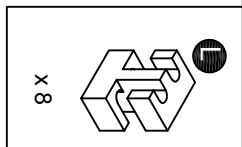
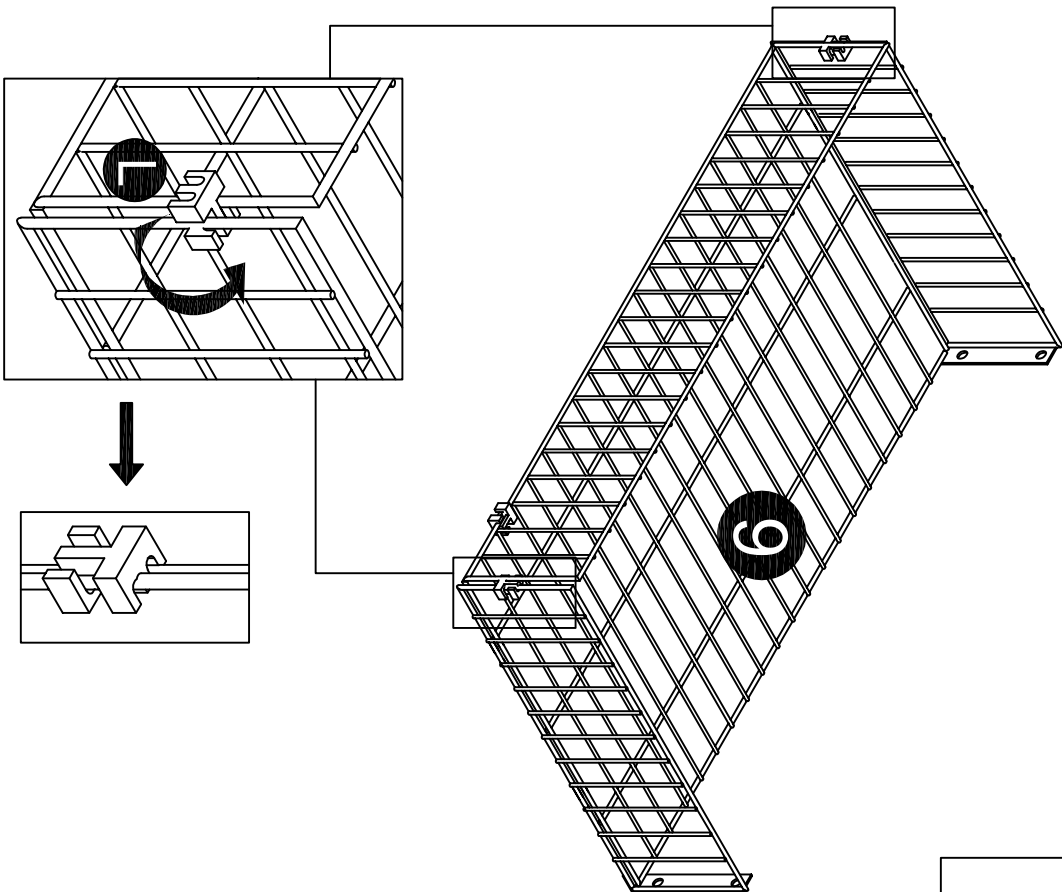
Please attach the infrared receiver to the elastic bag

Assembly Instruction

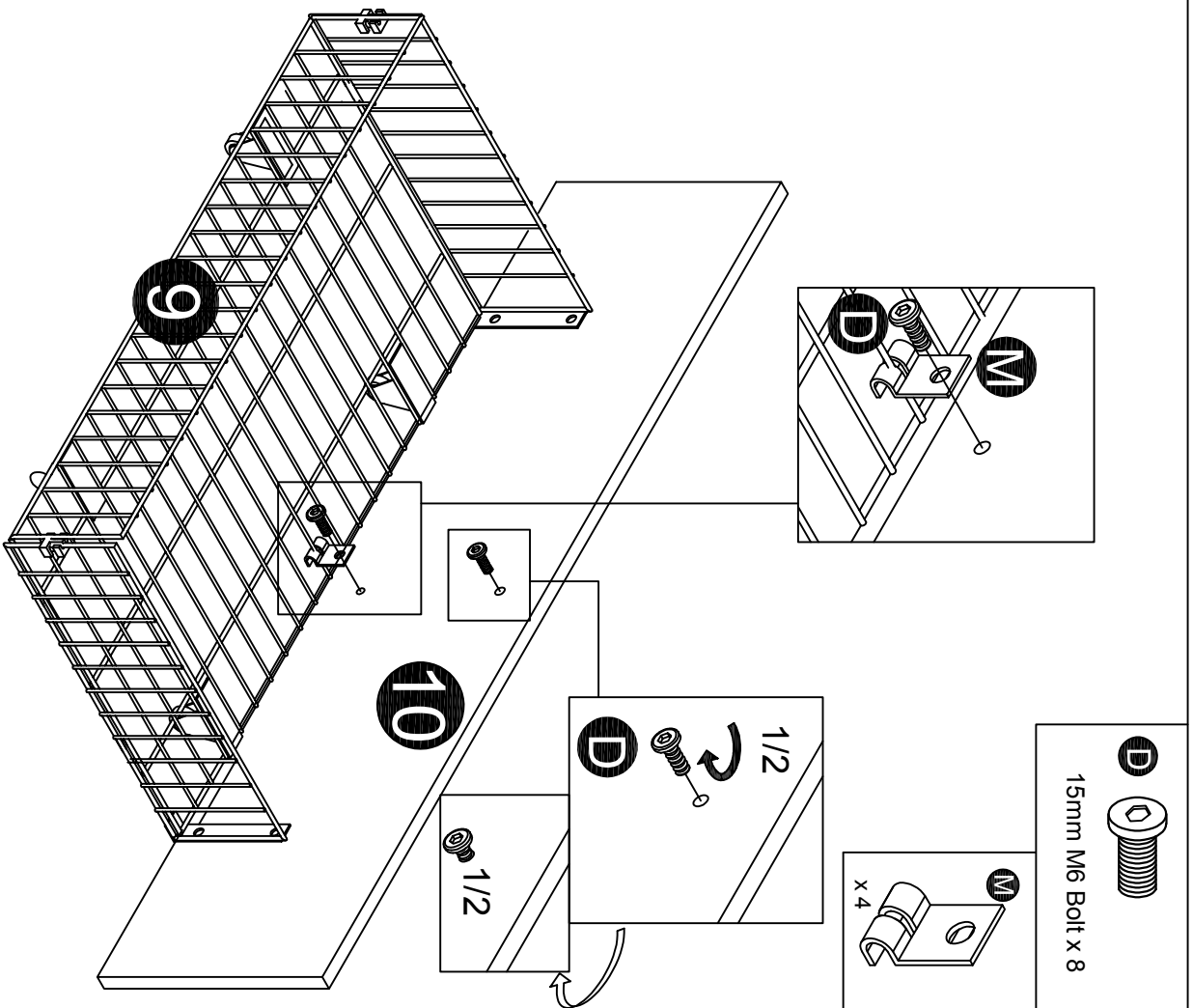
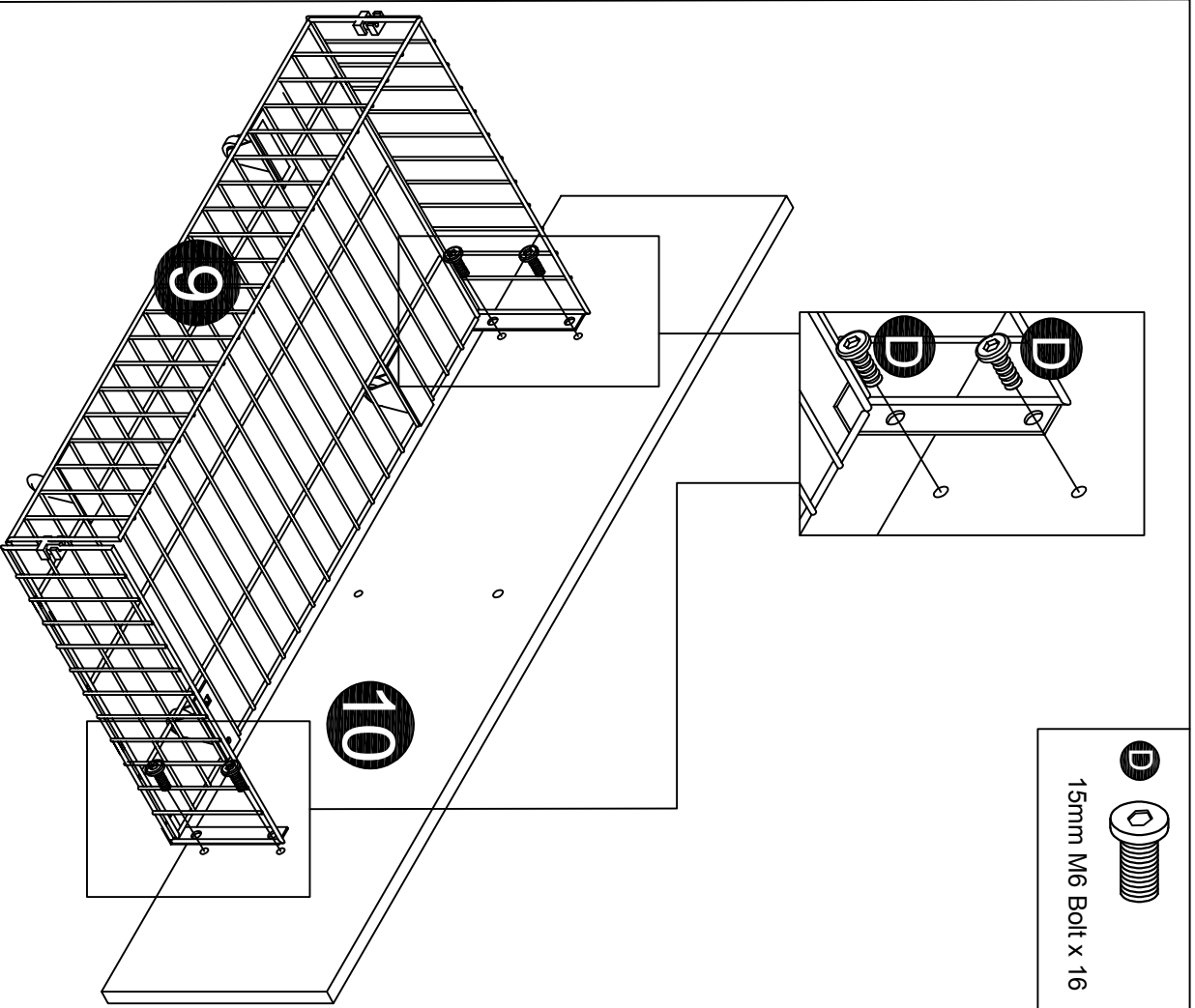


35mm M6 Bolt x 6

Assembly Instruction



Assembly Instruction



Assembly Instruction

