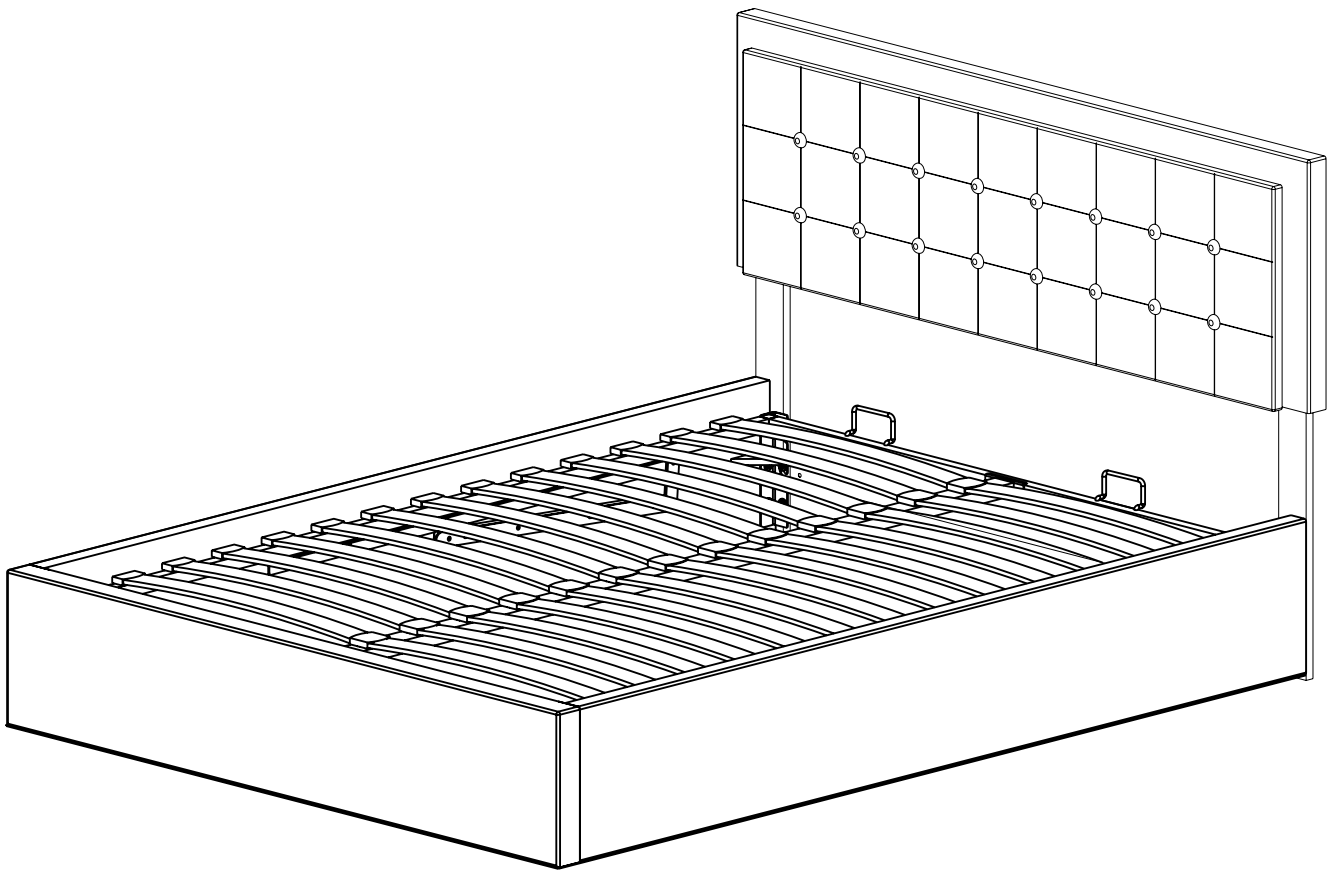


Ottoman Bed Frame

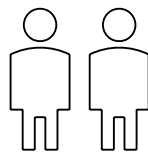
Double/ King

WF309406AAK / AAB

WF309407AAK / AAB



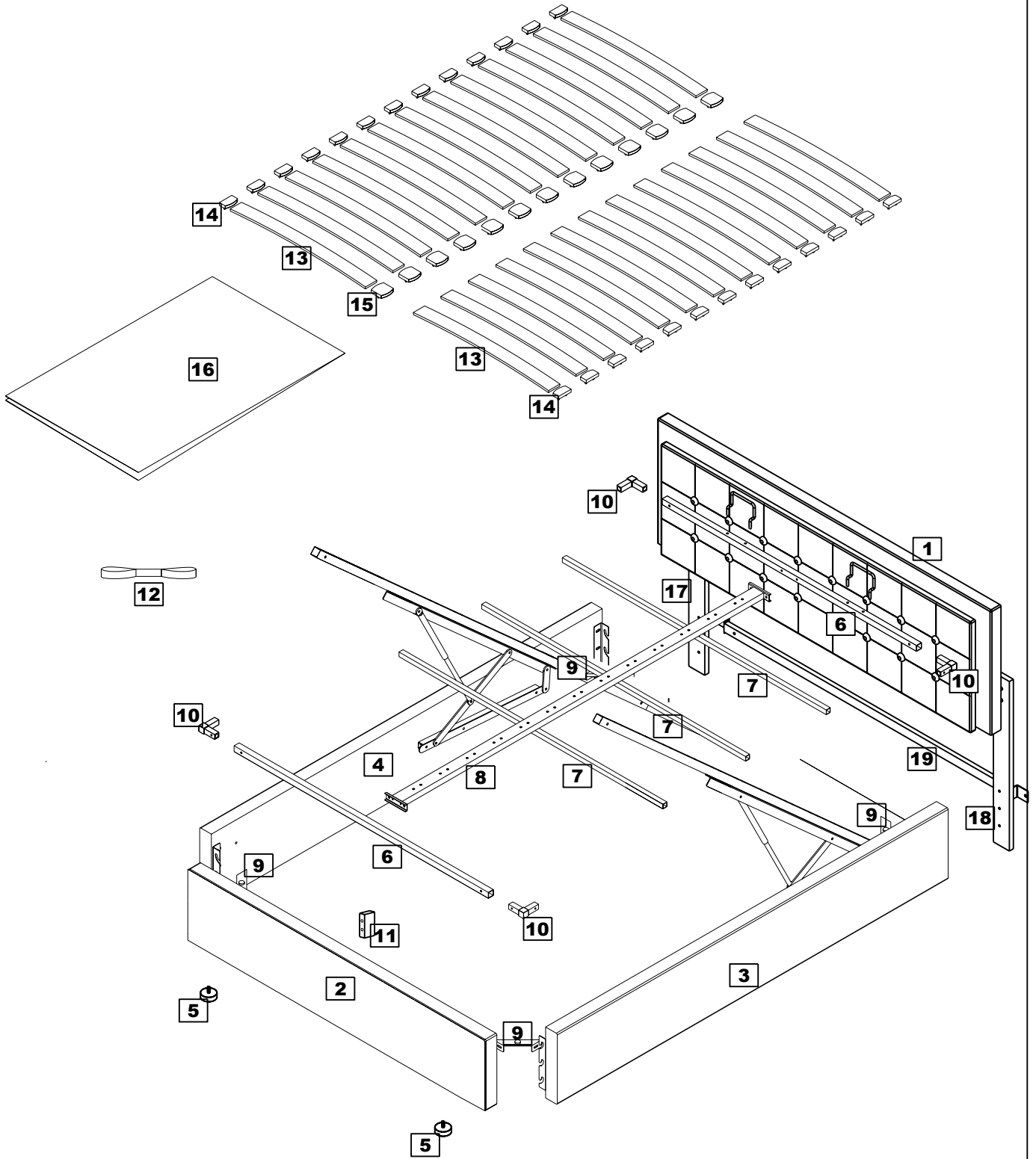
UP to 2 hours
assembly time



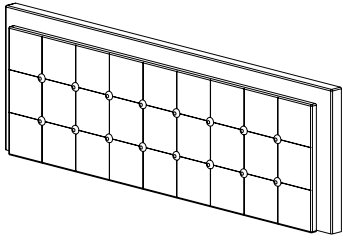
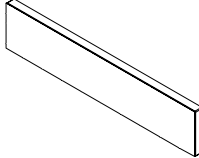

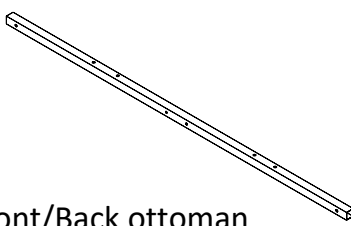
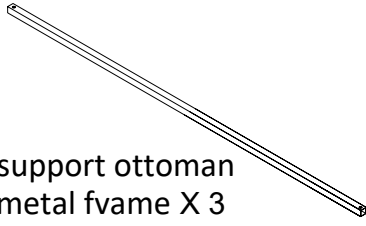
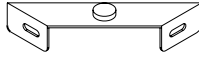
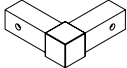
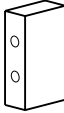
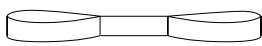
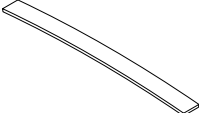
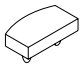

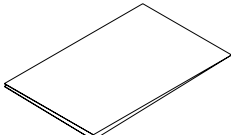
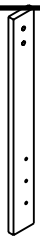
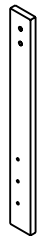
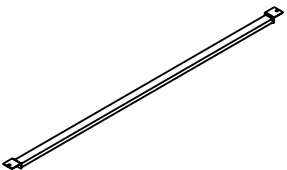
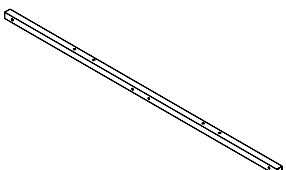
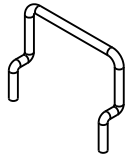
Two person
assembly

Parts

Before you begin building your bed frame, please take a moment to read through the instructions and make sure that you have all the relevant parts listed on the parts check list.

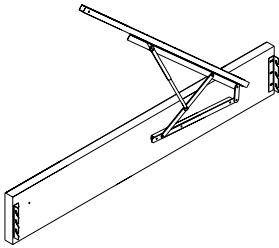
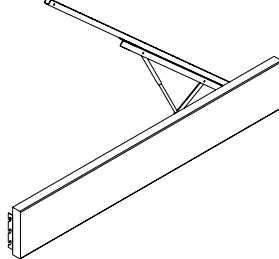
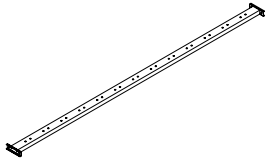


Parts Check List

WF309406AAK / WF309406AAB		
<p>1</p>  <p>Headboard X 1</p>	<p>2</p>  <p>Footboard X 2</p>	<p>5</p>  <p>Adjustable Leg X 2</p>
<p>6</p>  <p>Front/Back ottoman metal Frame X 1</p>	<p>7</p>  <p>support ottoman metal frame X 3</p>	<p>9</p>  <p>ottoman metal frame corner X 4</p>
<p>10</p>  <p>angle Corner Bracket X 4</p>	<p>11</p>  <p>Sideboard support Block X 1</p>	<p>12</p>  <p>Strap X 2</p>
<p>13</p>  <p>slat X 26</p>	<p>14</p>  <p>Side Slat Cap Double/Kin X 26</p>	<p>15</p>  <p>Centre Slat Cap Double/Kin X 26</p>
<p>16</p>  <p>Fabric Base X 1</p>	<p>17</p>  <p>Headboard Leg(L) X 1</p>	<p>18</p>  <p>Headboard Leg(R) X 1</p>
<p>19</p>  <p>Headboard leg connecting plate X 1</p>	<p>20</p>  <p>Front/Back ottoman metal Frame X 1</p>	<p>21</p>  <p>Adjustable Leg X 2</p>

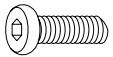



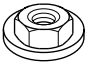

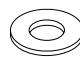
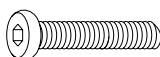
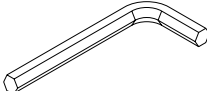
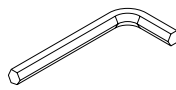
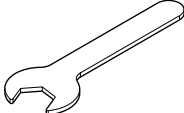
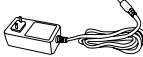


Parts Check List

WF309407AAK / WF309407AAB

<p>3</p>  <p>Side Rail-LH</p>	<p>4</p>  <p>Side Rail-RH</p>	<p>8</p>  <p>Offoman mefal fvame</p>
---	---	--

Fittings

Please check you have all the fittings listed below with your product

<p>A</p>  <p>M8x20mm Bolt 14 pcs</p>	<p>B</p>  <p>M6x60mm Bolt 2pcs</p>	<p>C</p>  <p>M6x30mm Bolt 6pcs</p>	<p>D</p>  <p>M6x15mm Bolt 12pcs</p>
<p>E</p>  <p>M8xNut 2pcs</p>	<p>F</p>  <p>Spring washer 12pcs</p>	<p>G</p>  <p>Plain washer 16pcs</p>	<p>H</p>  <p>M8x45mm Bolt 4 pcs</p>
<p>I</p>  <p>M5 allen key 1pc</p>	<p>J</p>  <p>M4 allen key 1pc</p>	<p>K</p>  <p>Spanner 1pc</p>	<p>L</p>  <p>LED Power Transformer 1pc</p>
<p>M</p>  <p>Controller x1</p>	<p>N</p>  <p>Remote Control x1</p>		

NB: there are additional spare Fittings included within the Fitting pack

IMPORTANT NOTICE

OTTOMAN OPERATING INSTRUCTIONS

Once your bed frame is completely assembled, the slat unit will not operate correctly unless a mattress is placed on the slat frame. Position the mattress on the slat frame whilst it is in the closed position.

PLEASE NOTE

- It takes a lot of force to make the initial movement of the ottoman. This is a design feature of the product so that it does not fall shut - the nearer to being closed the ottoman is, the easier it is to move. When the ottoman is almost shut, it will close completely under its own weight. When lowering the slat unit for the first time, take care to make sure it does not rub unevenly on the inside face of the side rails. If it does, the bed has been assembled slightly out of square. This can be rectified by moving the foot end of the bed slightly to the left or right whilst leaving the head end stationary.

PISTONS

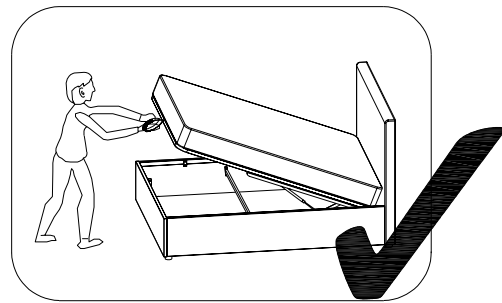
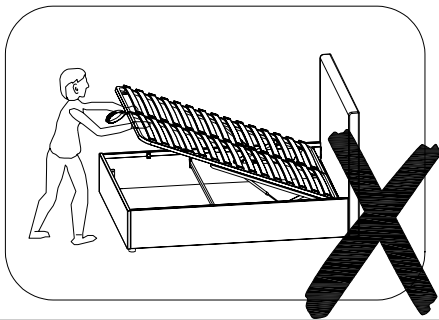
The pistons used in the construction of this product are extremely strong and cannot be operated by hand when taken off the ottoman. All pistons

are tested for correct pressure and operation before being attached to the slat unit.

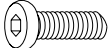
Initially it might appear that the pistons are very stiff when opening and closing the ottoman.

THIS IS PERFECTLY NORMAL

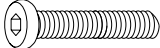
When fully assembled and the mattress is in position, please raise and lower the ottoman 4/5 times to ensure the gas piston are fully lubricated.

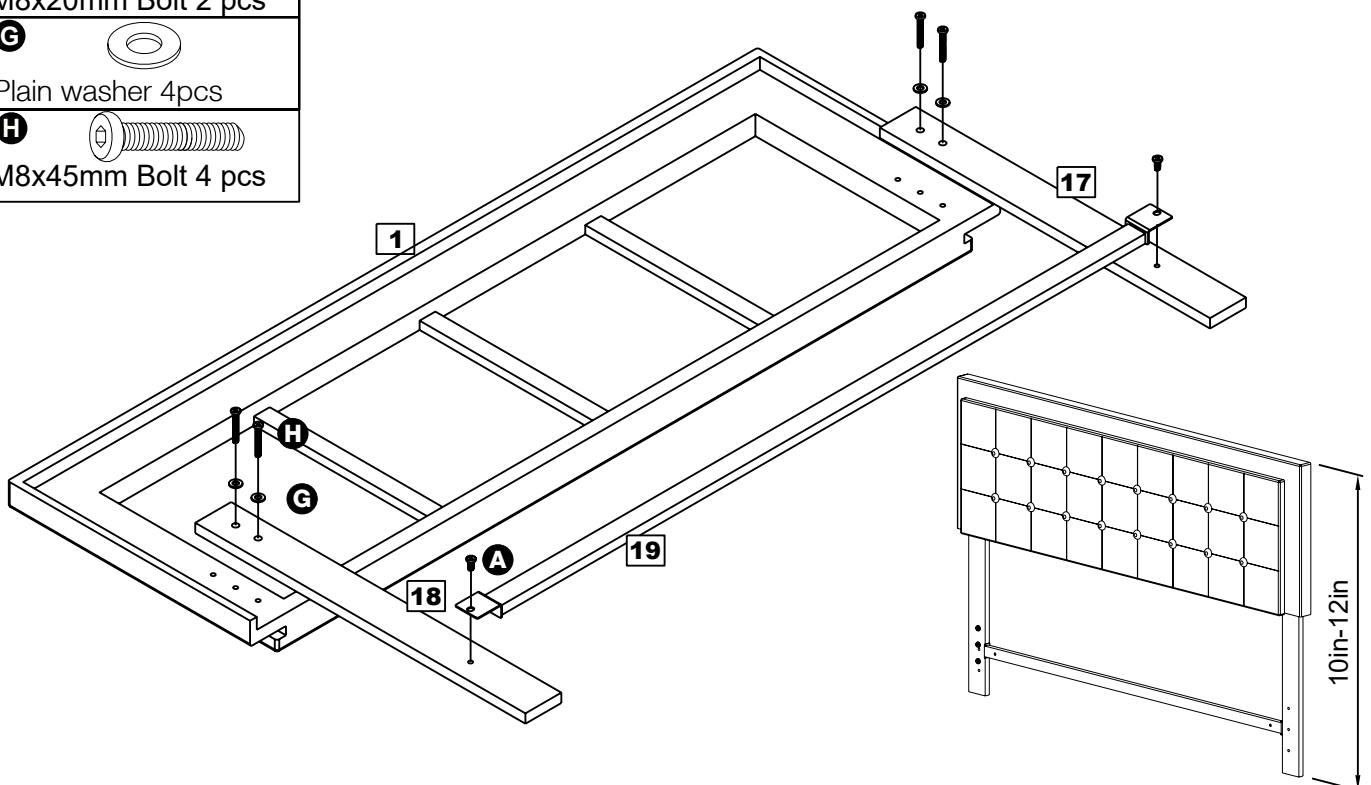


STEP 1:

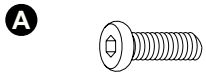
A  M8x20mm Bolt 2 pcs

G  Plain washer 4pcs

H  M8x45mm Bolt 4 pcs



STEP 2:



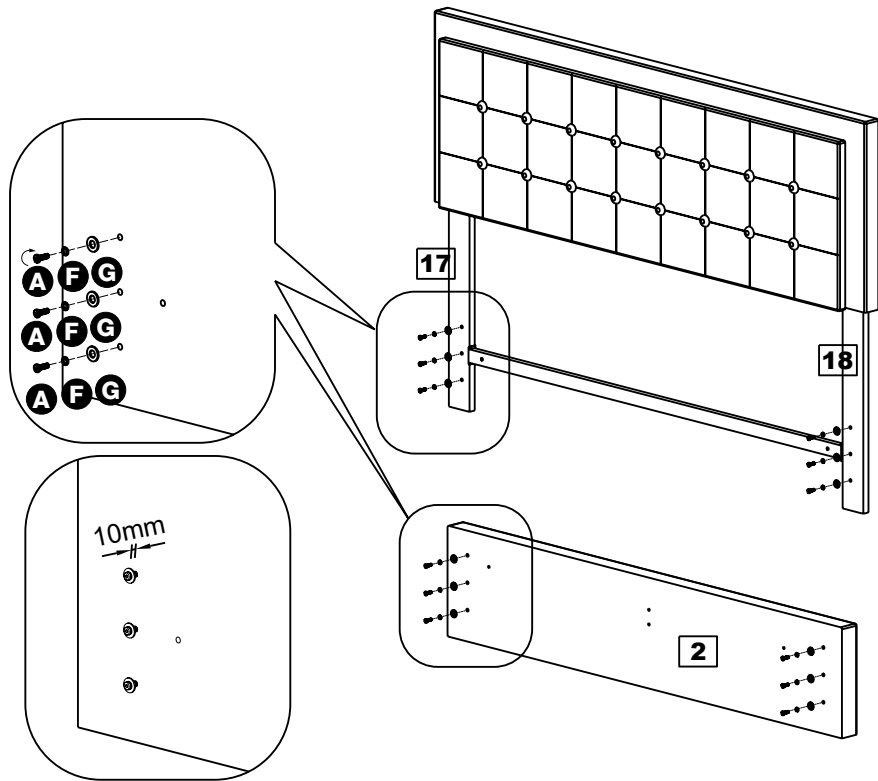
M8x20mm Bolt 12 pcs



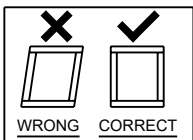
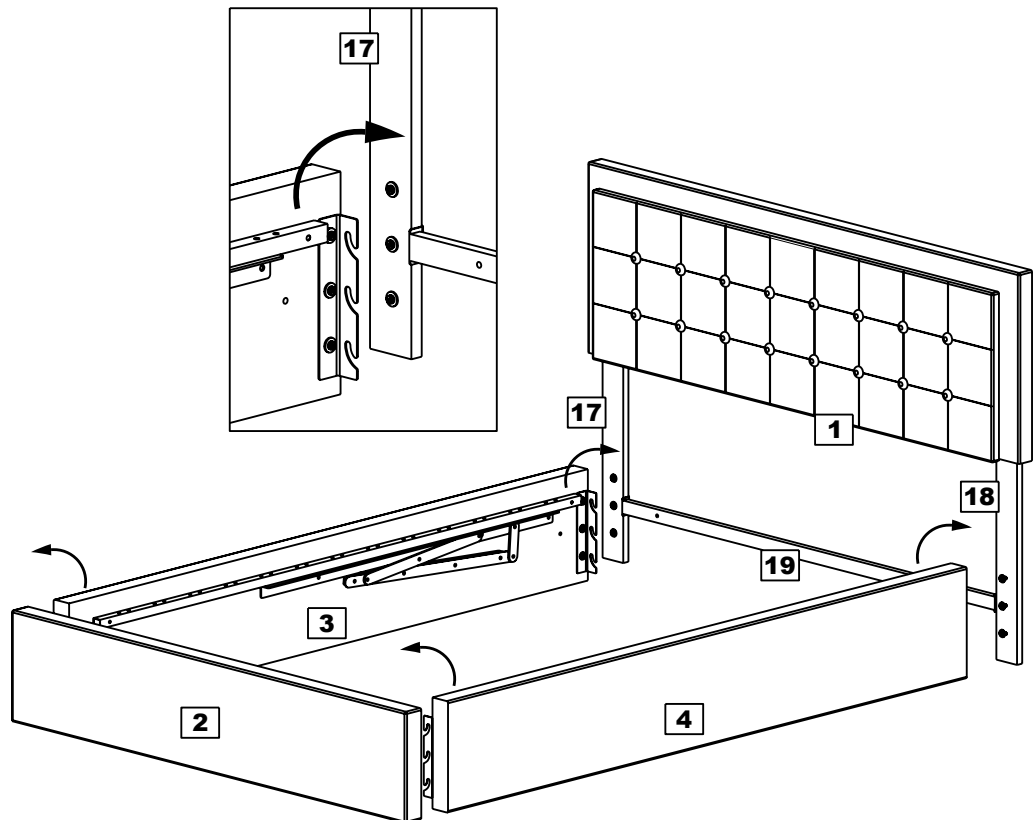
Spring washer 12pcs



Plain washer 12pcs

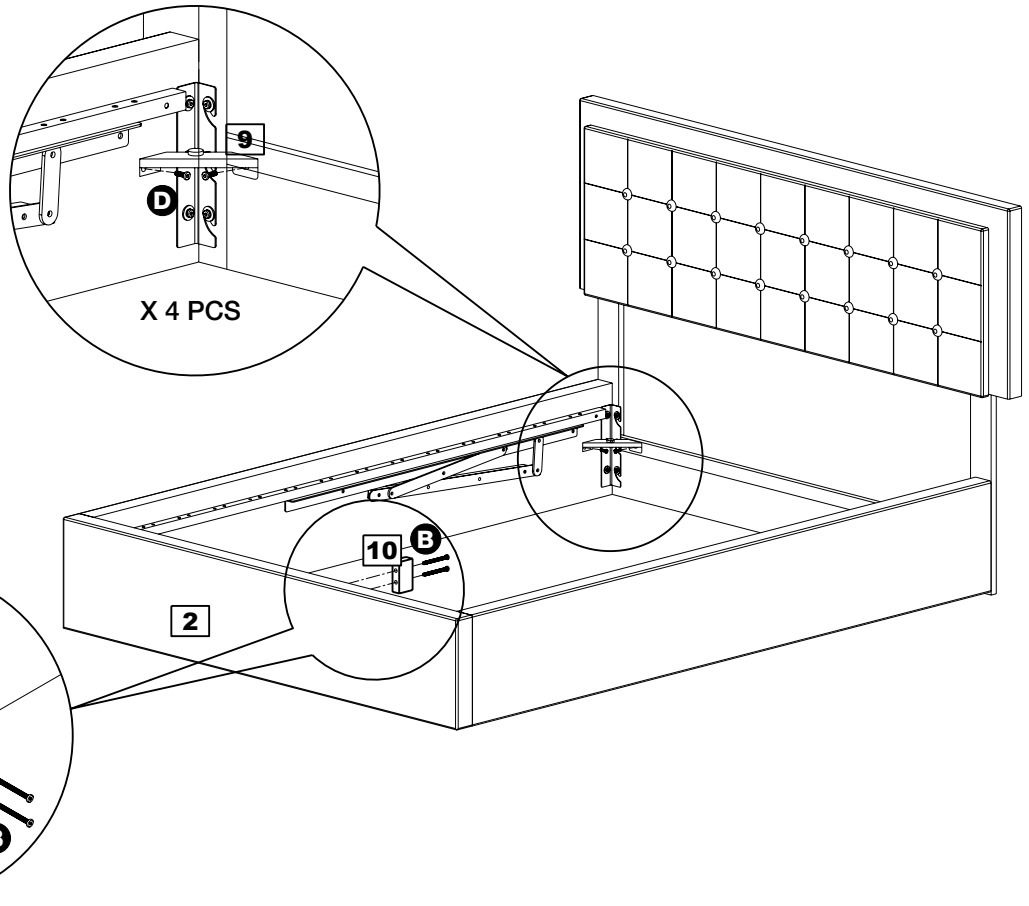
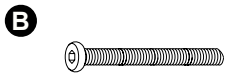


STEP 3:



NB: Before tightening the bolts, please ensure the bed frame is square

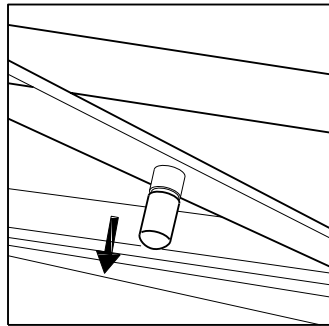
STEP 4:



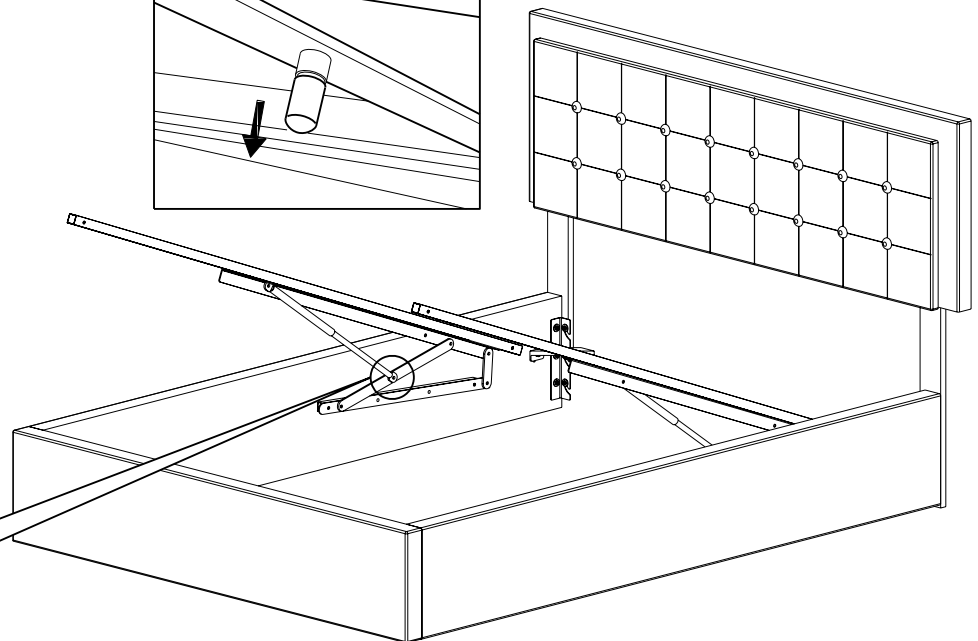
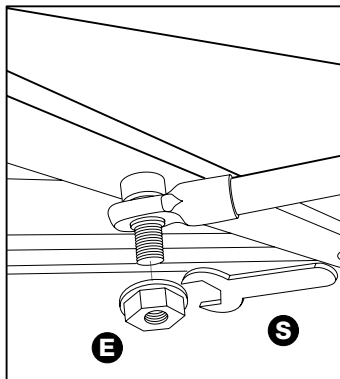
STEP 5 :



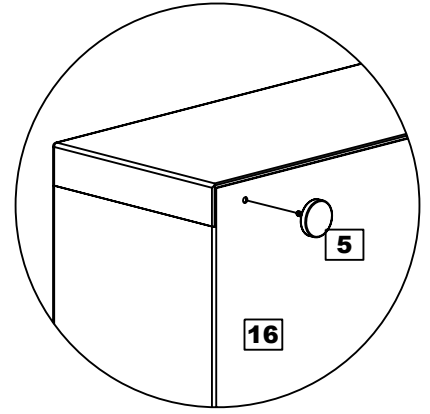
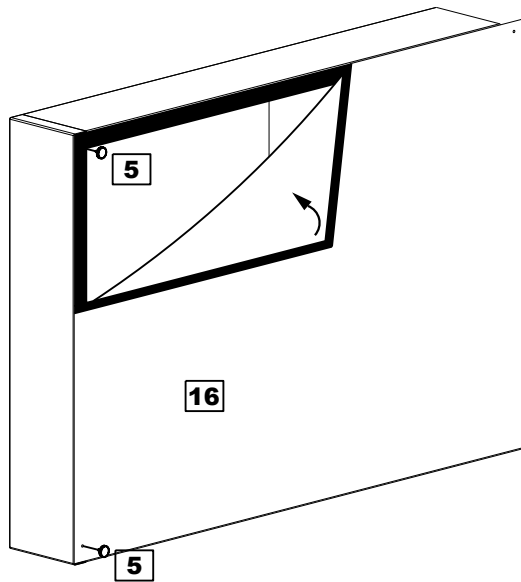
a:



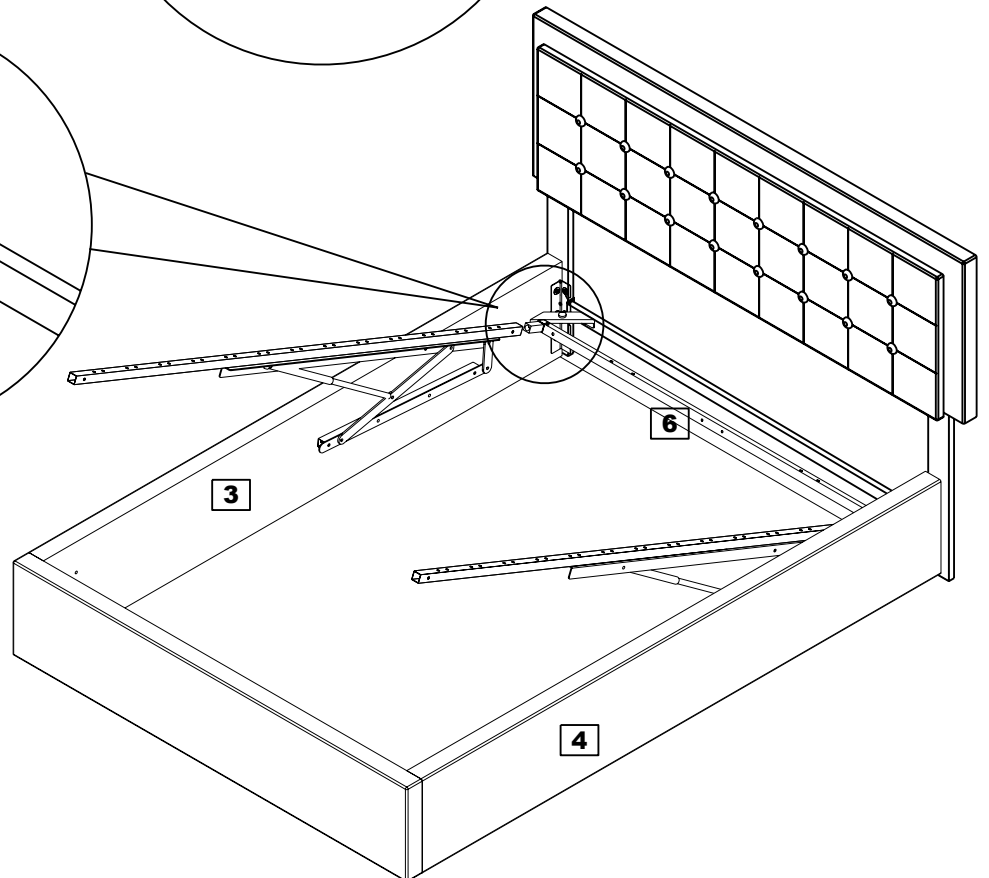
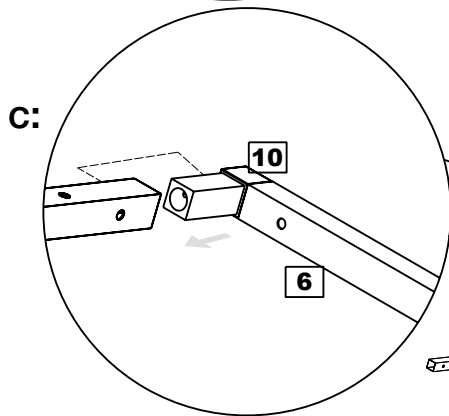
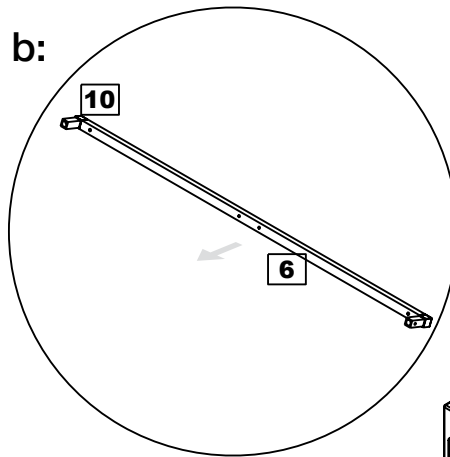
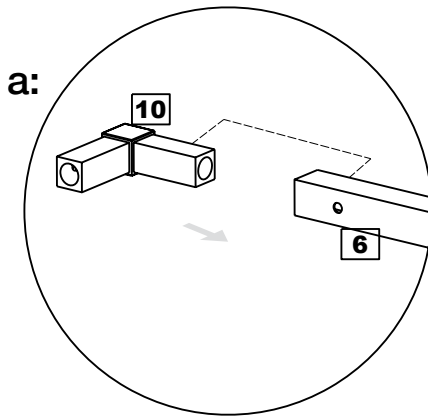
b:



STEP 6 :

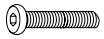


STEP 7 :

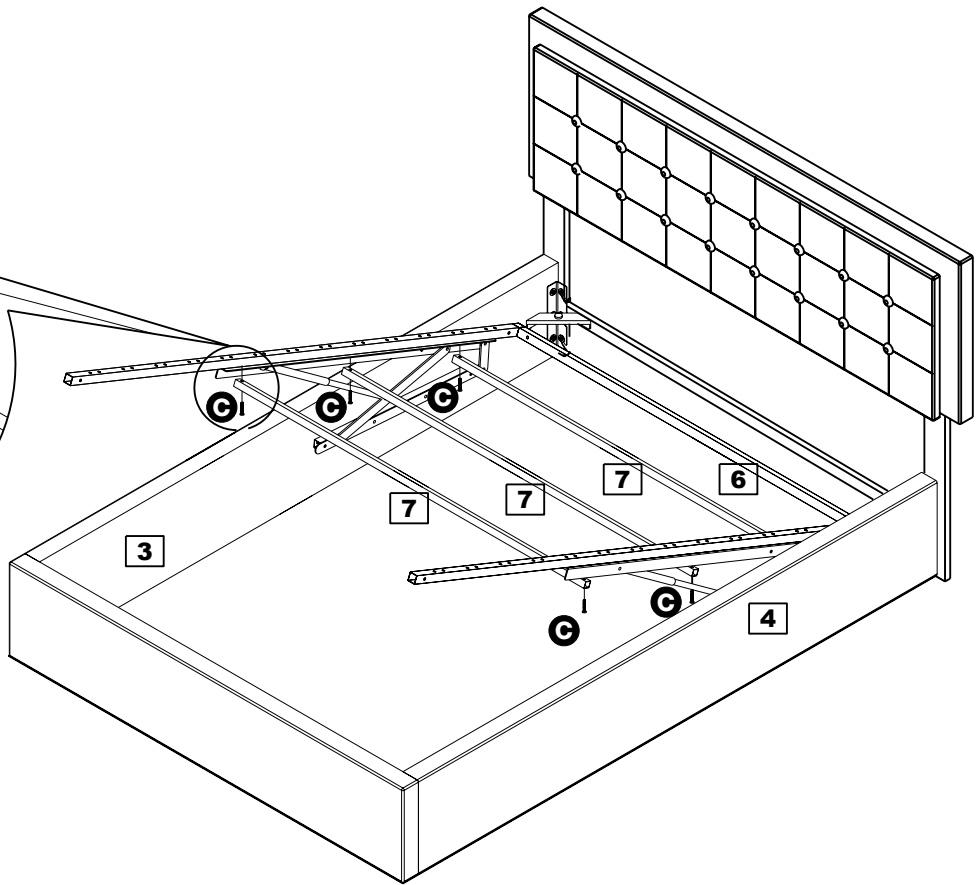
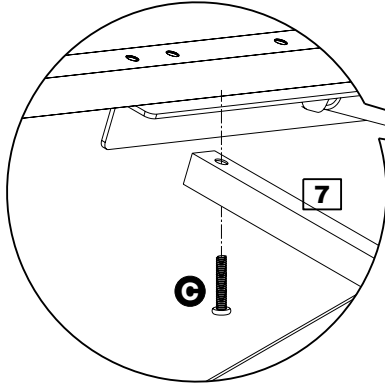


STEP 8 :

C



M6x30mm Bolt 6pcs

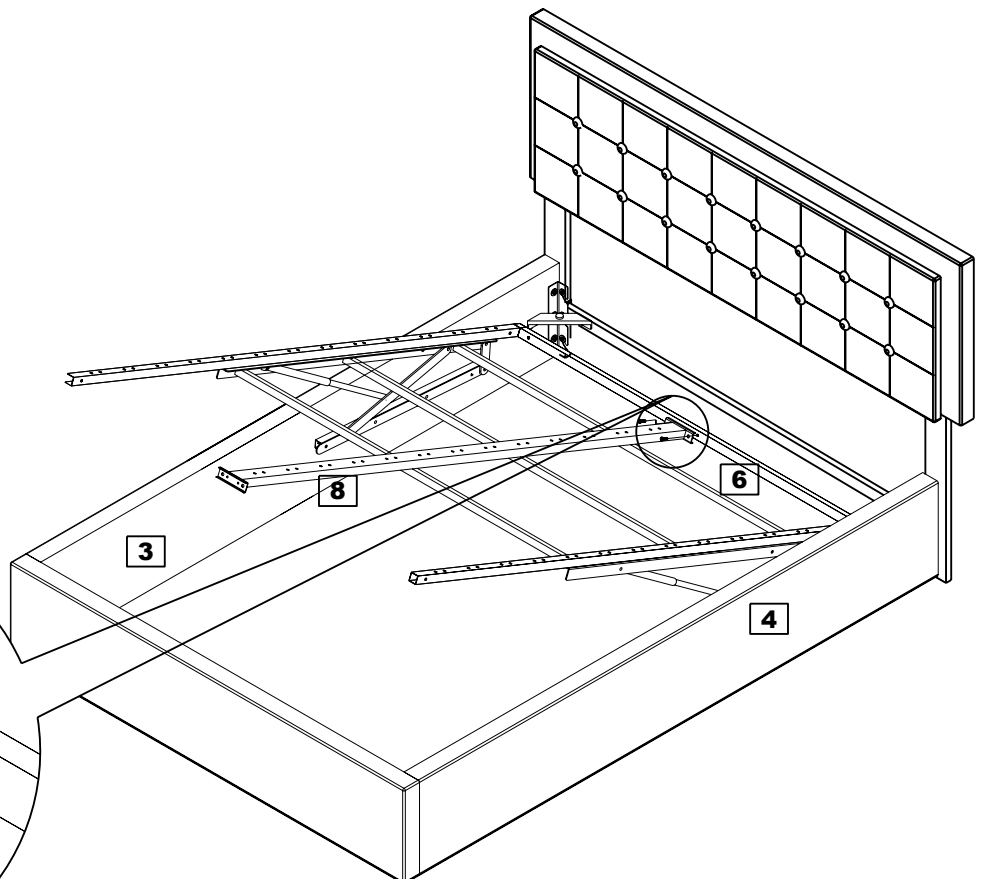
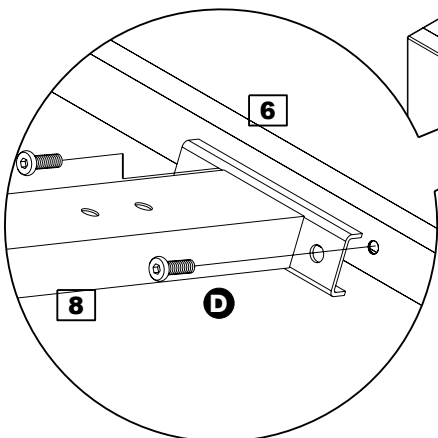


STEP 9 :

D



M6x15mm Bolt 2pcs



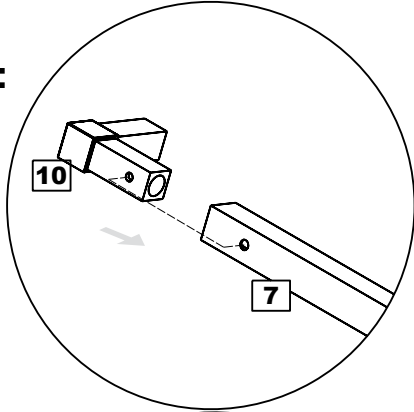
STEP 10 :

D

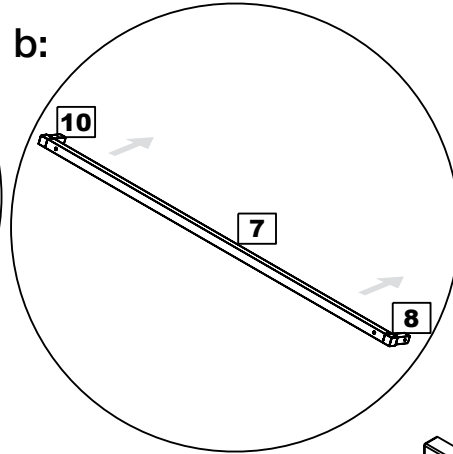


M6x15mm Bolt 2pcs

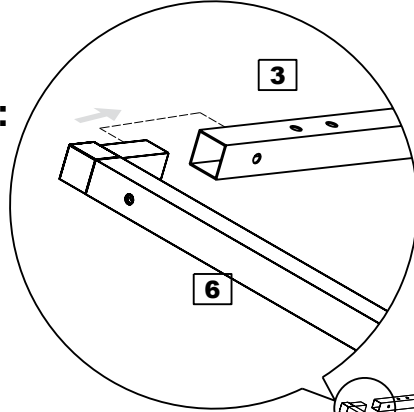
a:



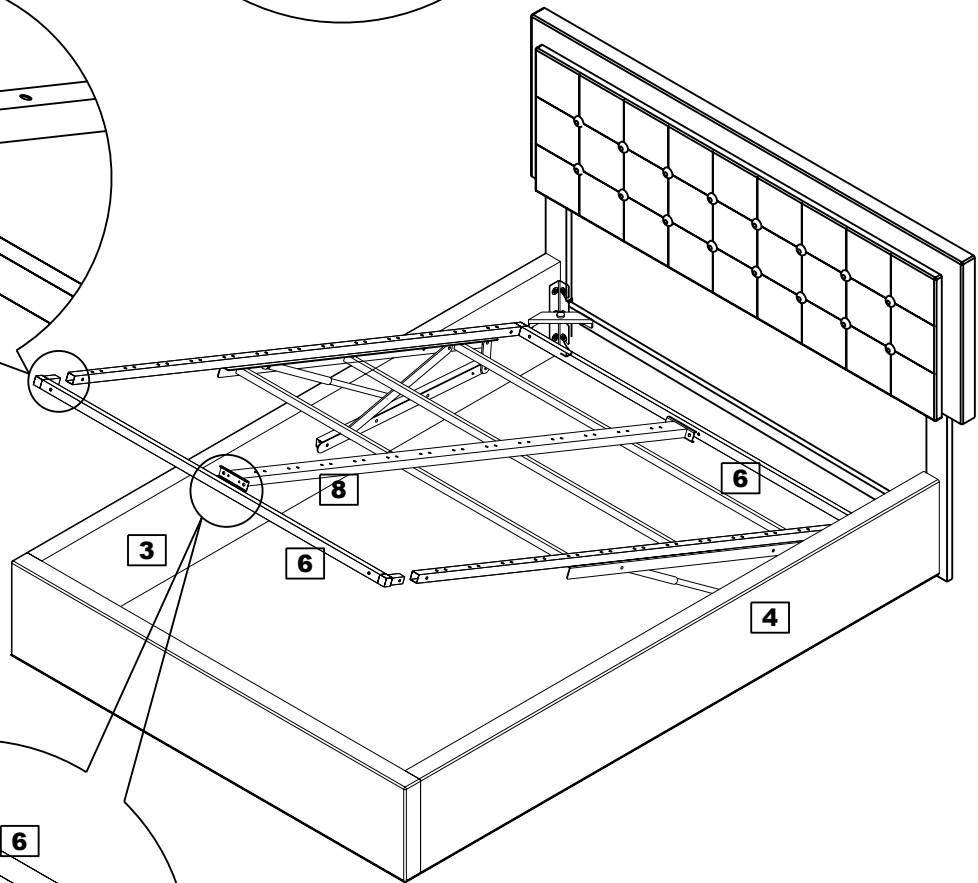
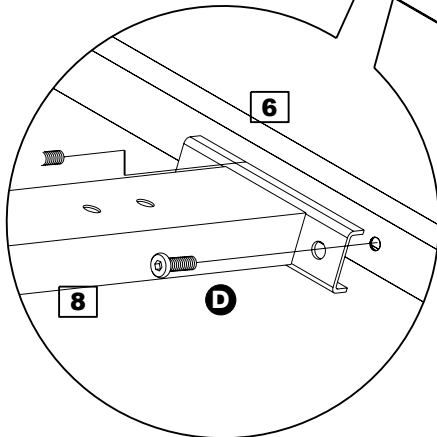
b:



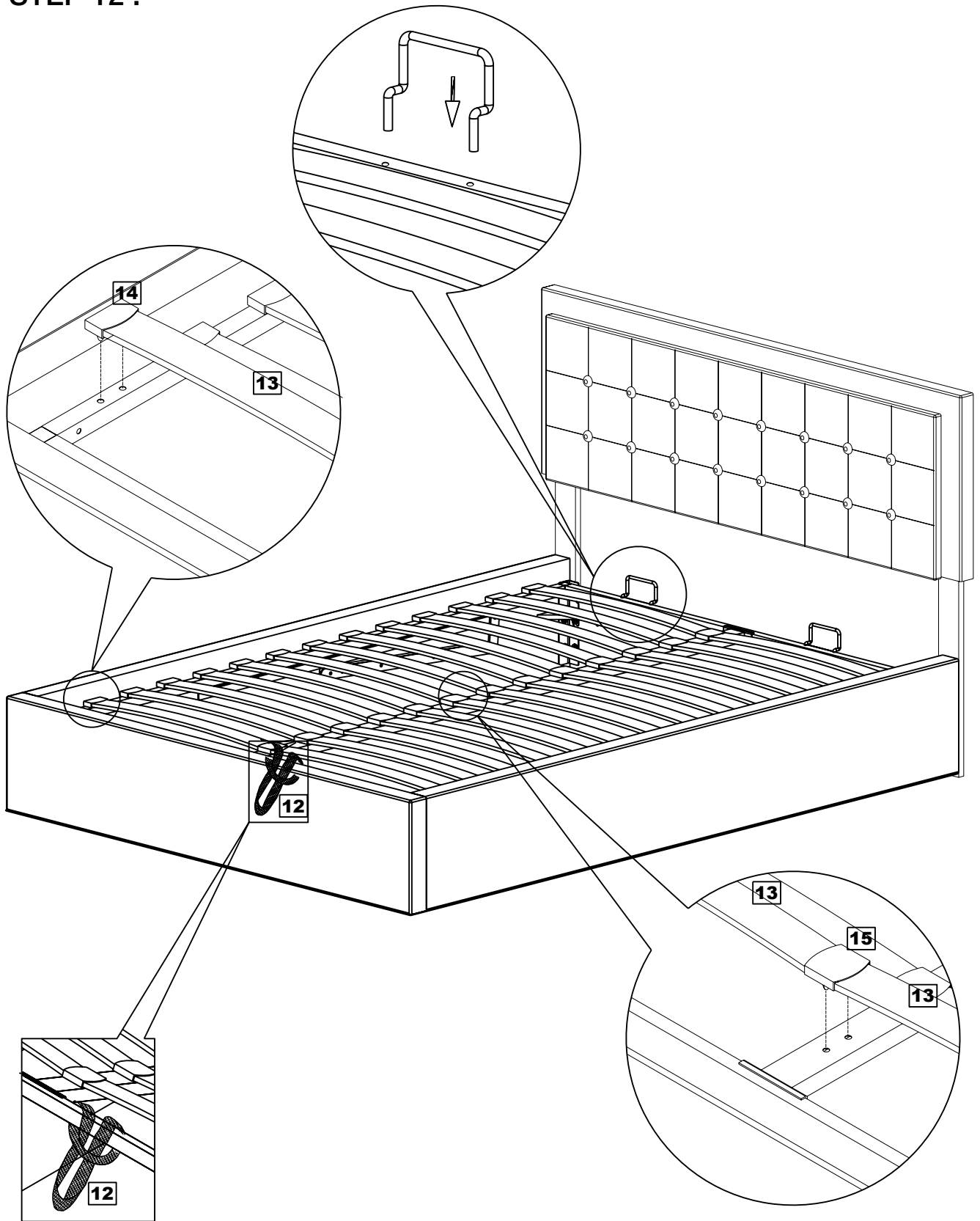
c:



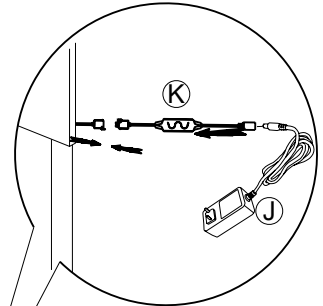
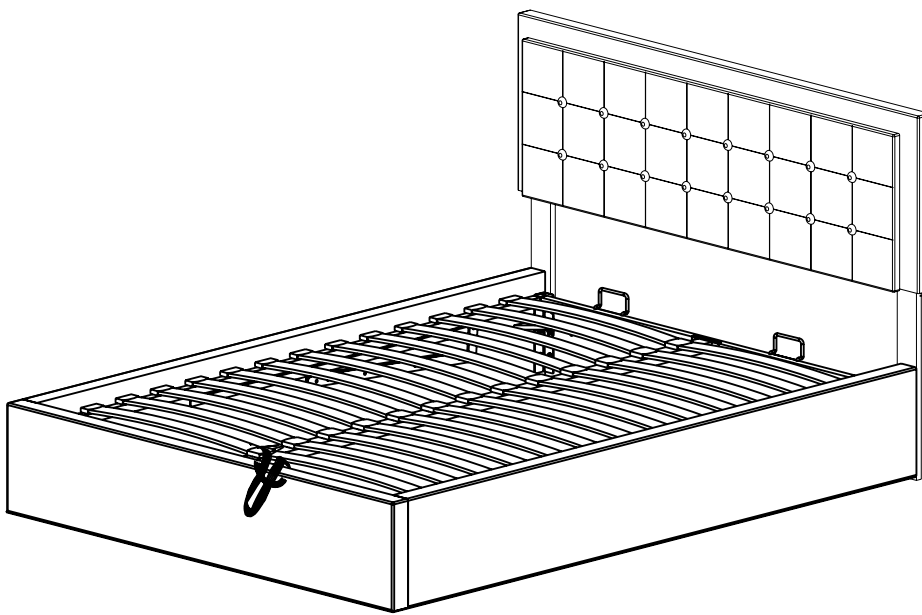
STEP 11 :



STEP 12 :



STEP 13 :

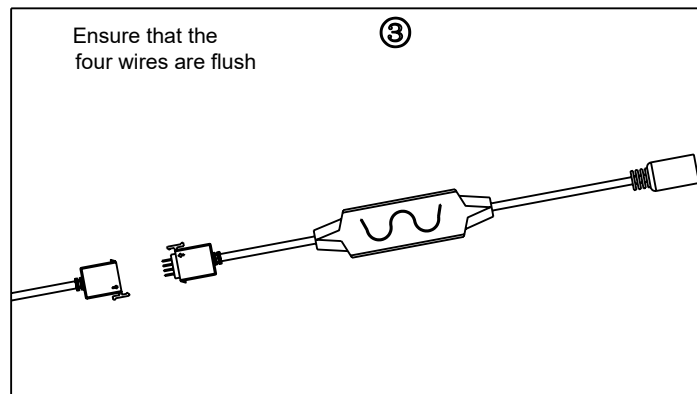
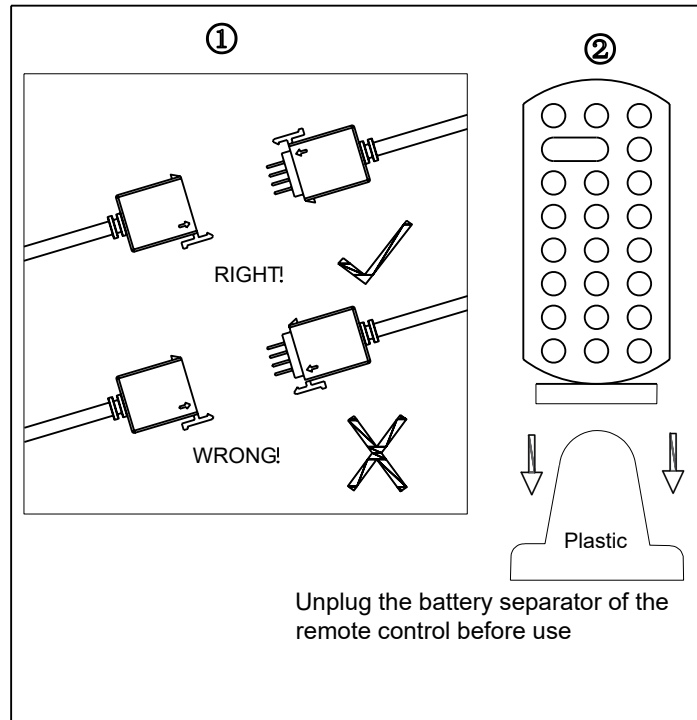


Connect the LED controller (K) to the lower LED plug behind the bedside, and then insert the power adapter (J) into the controller, as shown in the figure.

LED light

If you can't let the lights work successfully, please check the following:

1. Please check the direction of the connect, try it in the opposite direction, according to the following picture.
2. Please check the remote control, it need you to tear down the plastic septum before use it.
3. If one of the colors is not bright, please check whether the four wires in the plug are skewed, and move the main line to make the four wires flush.



1. Please check the direction of the arrow
2. Please pull the plastic block out of the remote control
3. Please check whether the four wires of the plug are neat

WARNING

THIS PRODUCT CONTAINS A BUTTON BATTERY
If swallowed, a lithium button battery can cause severe or fatal injuries within 2 hours.
Keep batteries out of reach of children.
If you think batteries may have been swallowed or placed inside any part of the body, seek immediate medical attention.