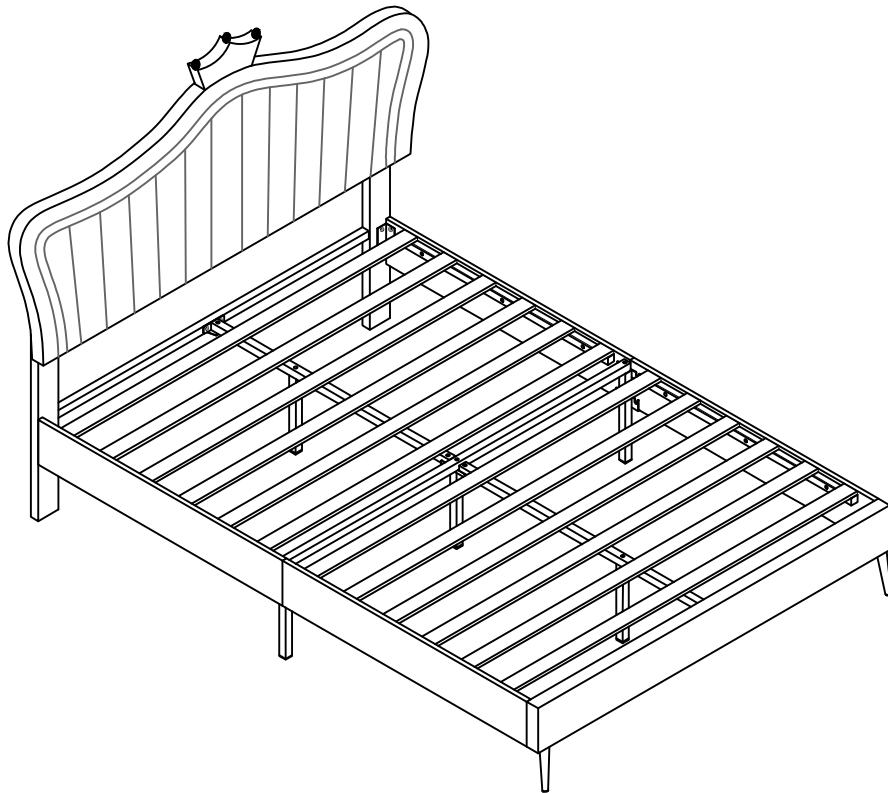
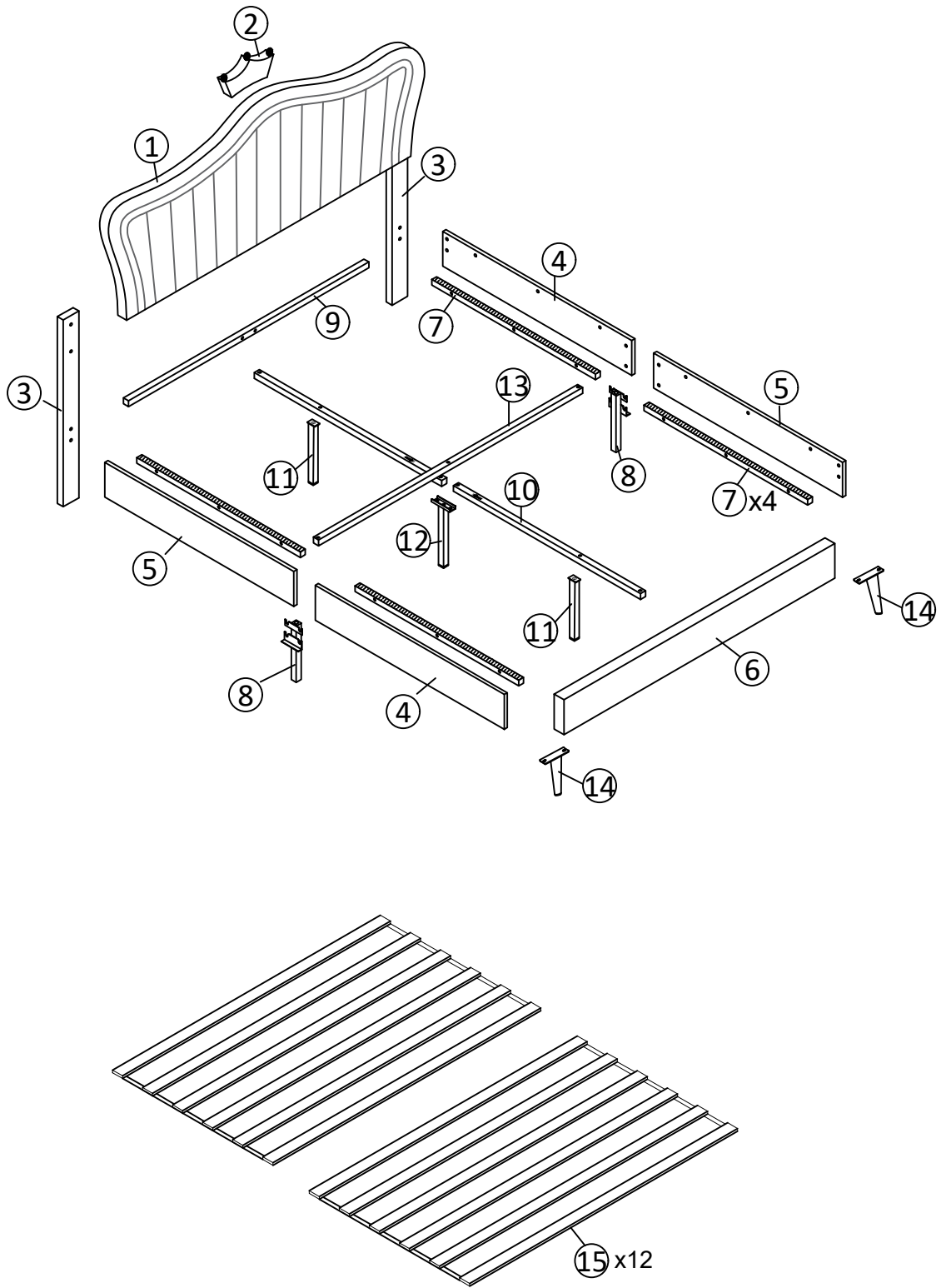


ASSEMBLY INSTRUCTION

SKU:WF307962

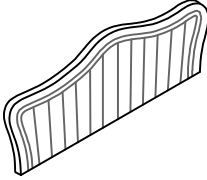


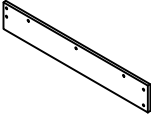
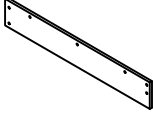
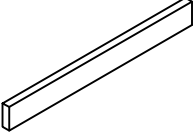
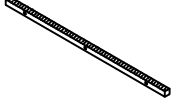

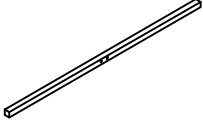
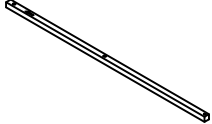

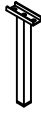
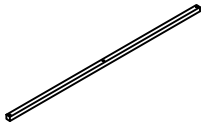

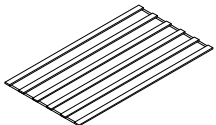


Detail View





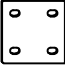
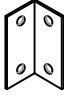
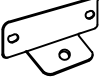








Part List + Hardware List

WF307962

1  Head board-1pc	2  Crown -1pc	3  Head board legs -2pcs
4  Side rails-2pcs	5  Side rails-2pcs	6  Foot board -1pc
7  Side rails support bar-4pcs	8  Side rails support legs-2pcs	9  Head board cross bar-1pc
10  Center support bar-2pcs	11  Middle support leg-2pcs	12  Connected support leg-1pc
13  Cross bar-1pc	14  Bed legs-2pcs	15  Slats-12pcs

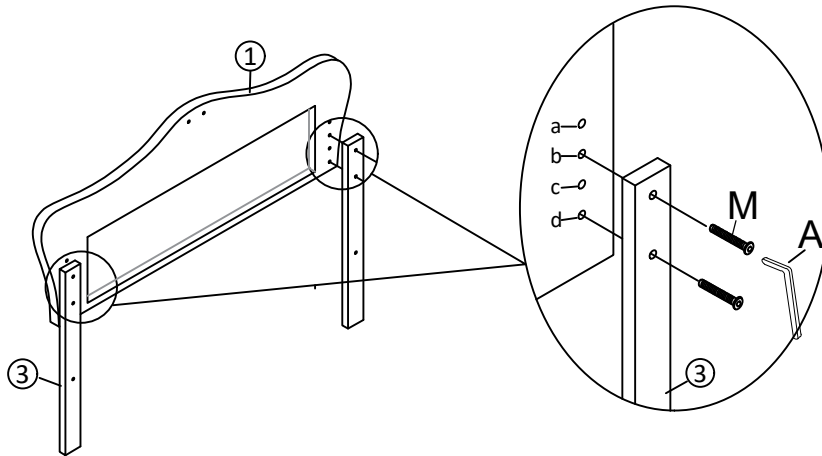
Hardware List



<p>A</p>  <p>20*70mm</p>	<p>B</p>  <p>Ø8*40mm</p>	<p>C</p>  <p>105*25*2mm</p>
<p>Allen Key(1pc)</p>	<p>Bolts(21pcs)</p>	<p>Two hole iron(2pcs)</p>
<p>D</p>  <p>Ø8*16mm</p>	<p>E</p>  <p>100*100*2mm</p>	<p>F</p>  <p>75*33*33mm</p>
<p>Bolts(40pcs)</p>	<p>Four hole iron(1pc)</p>	<p>"7" Connector(4pcs)</p>
<p>G</p>  <p>2*28*32*86mm</p>	<p>H</p> 	<p>I</p> 
<p>Center support bar fittings(2pcs)</p>	<p>Power adapter(1pc)</p>	<p>Color controller(1pc)</p>
<p>J</p> 	<p>K</p>  <p>Ø3*16mm</p>	<p>L</p>  <p>20*6mm</p>
<p>LED(1pc)</p>	<p>Nails(28pcs)</p>	<p>Buckle(14pcs)</p>
<p>M</p>  <p>Ø8*45mm</p> <p>Bolts(4pcs)</p>		

Attention: Do not tighten the screws before completing the entire installation. If you have any difficulty with the installation process, please feel free to contact us.

Step 1 x2

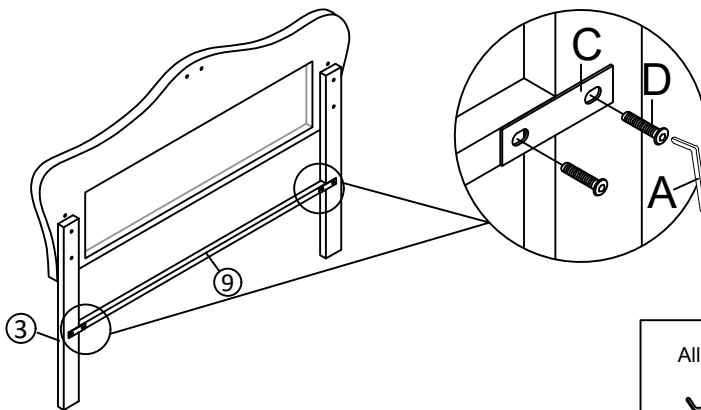
Fix the Head board legs ③ to the headboard ① with Bolts M by using Allen key A, you can chose the hole a and c, or b and d .






A Allen Key	M Bolts x 4
	 M8X45mm

Step 2 x2

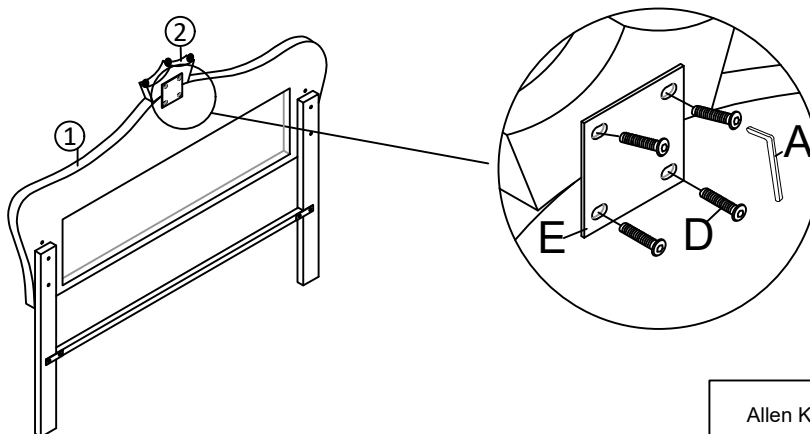
Fix the Headboard cross bar ⑨ to the Headboard legs ③ with Bolts D and Two hole iron C by using Allen key A.



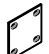


Allen Key	C Two hole iron x 2	D Bolts x 4
		 M8X16mm

Step 3

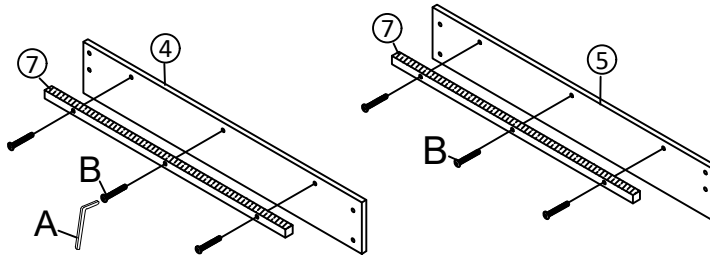
Fix the Crown ② to the headboard ① with Bolt D and Four hole iron E by using Allen key A.





Allen Key	D Bolts x 4	E Four hole iron x 1
	 M8X16mm	

Step 4 x2

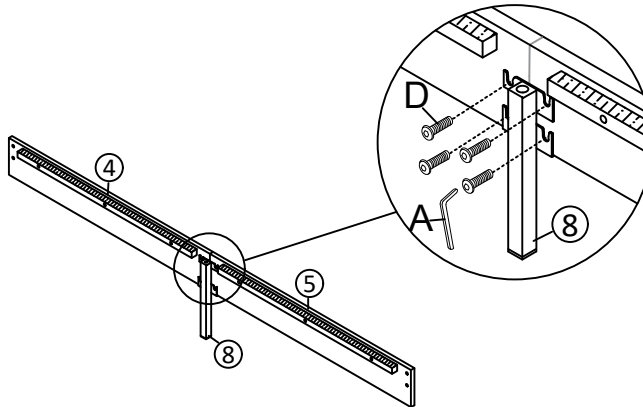
Connect the Siderail support bar (7) to the Siderails (4) and (5) with Bolts B by using Allen key A.





Allen Key 	B Bolts x 12  M8X40mm
--	--

Step 5 x2

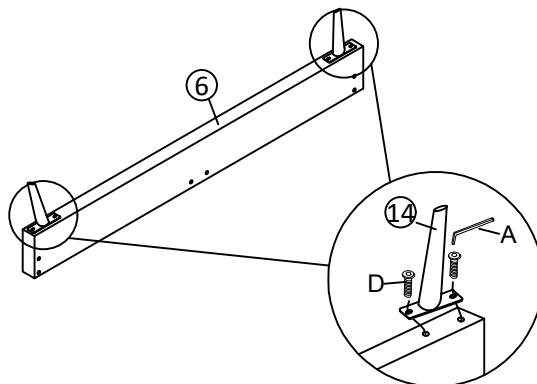
Fix the side rails support leg (8) to the assembled side rail with Bolts D by using Allen key A.





Allen Key 	D Bolts x 8  M8X16mm
--	---

Step 6

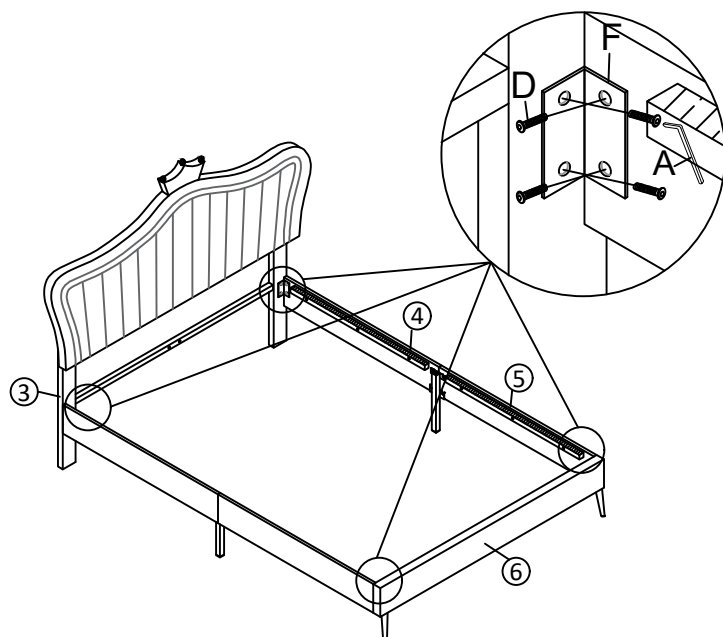
Fix the legs (14) to the foot board (6) with Bolts D by using Allen key A.






Allen Key 	D Bolts x 4  M8X16mm
--	---

Step 7

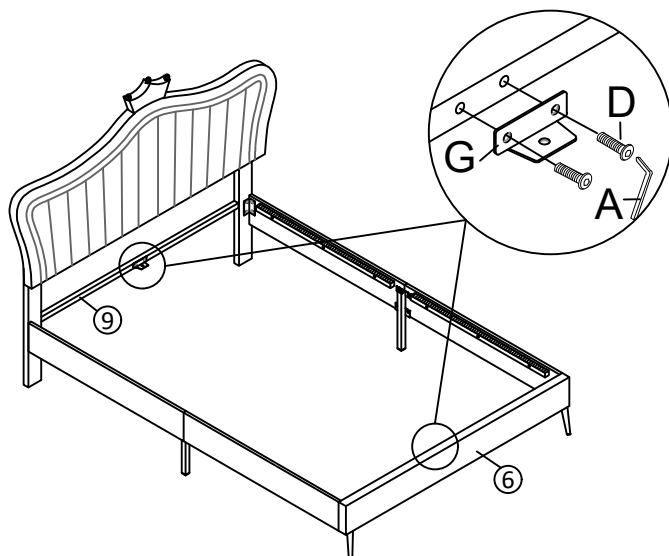
Fix the assembled side rail to the Headboard legs ③ and foot board ⑥ with Bolts D and "7" Connector F by using Allen key A.






Allen Key 	D Bolts x 16  M8X16mm	F "7" Connector x 4 
---	--	--

Step 8

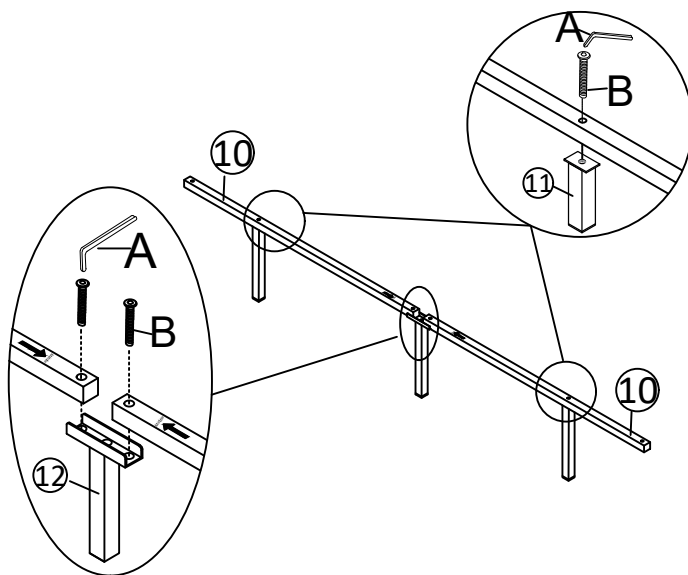
Fix the Center support bar fittings G to the Headboard cross bar ⑨ and foot board ⑥ with Bolts D by using Allen key A





Allen Key 	D Bolts x 4  M8X16mm	G Center support bar fittings x2 
--	---	---

Step 9

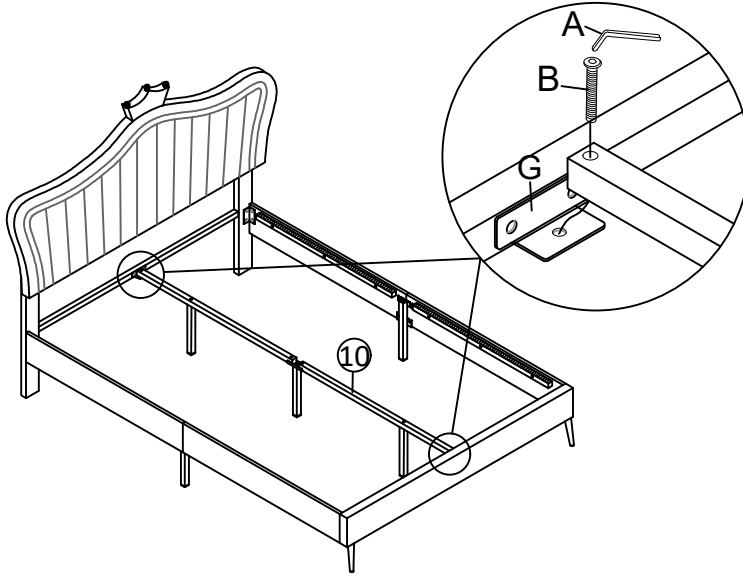
Fix the middle support leg ⑪ to the center support bar ⑩ with Bolts B by using Allen key A. Fix the connected support leg ⑫ to the center support bar with Bolts B by using Allen key A.





Allen Key 	B Bolts x 4  M8X40mm
--	---

Step 10

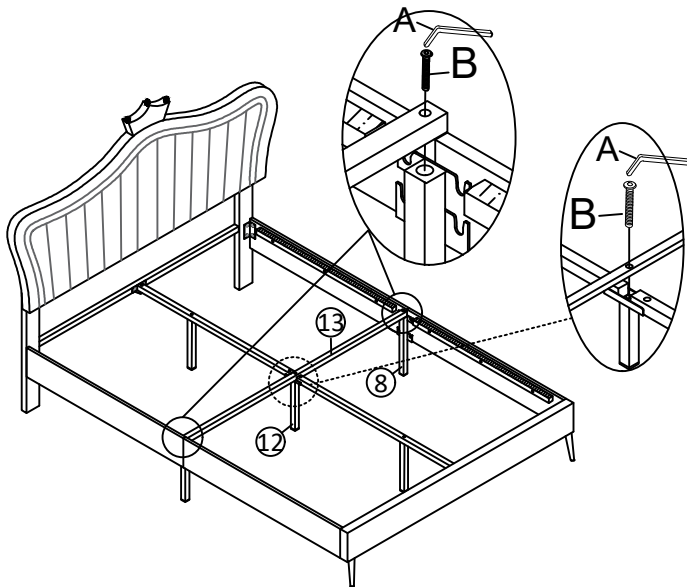
Fix the Center support bar ⑩ to the Center support bar fittings G with Bolts B by using Allen key A





Allen Key	B Bolts x 2
	 M8X40mm

Step 11

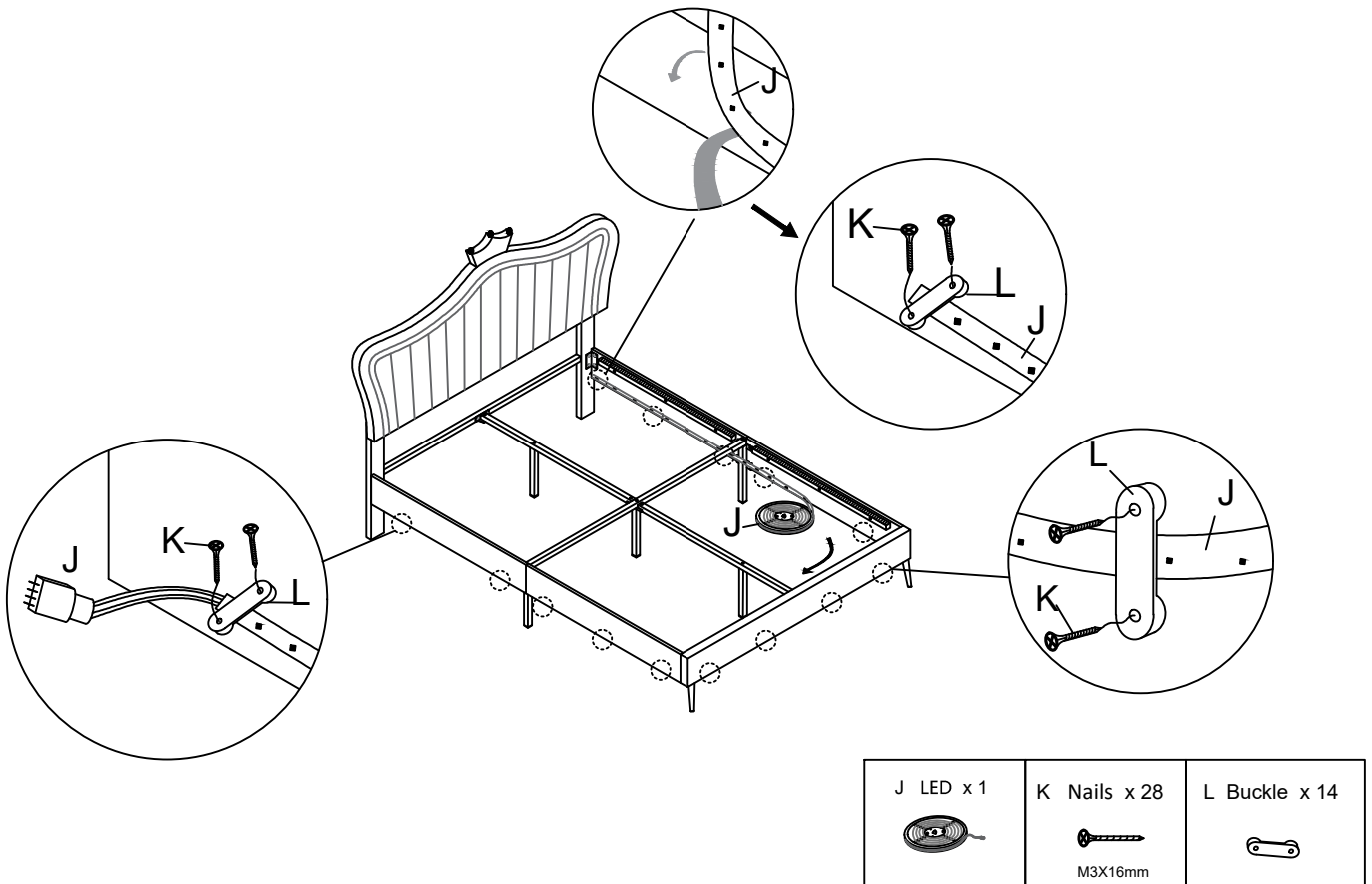
Fix the cross bar ⑬ to the side rails support legs ⑧ and Connected support legs ⑫ with Bolts B by using Allen key A



Allen Key	B Bolts x 3
	 M8X40mm

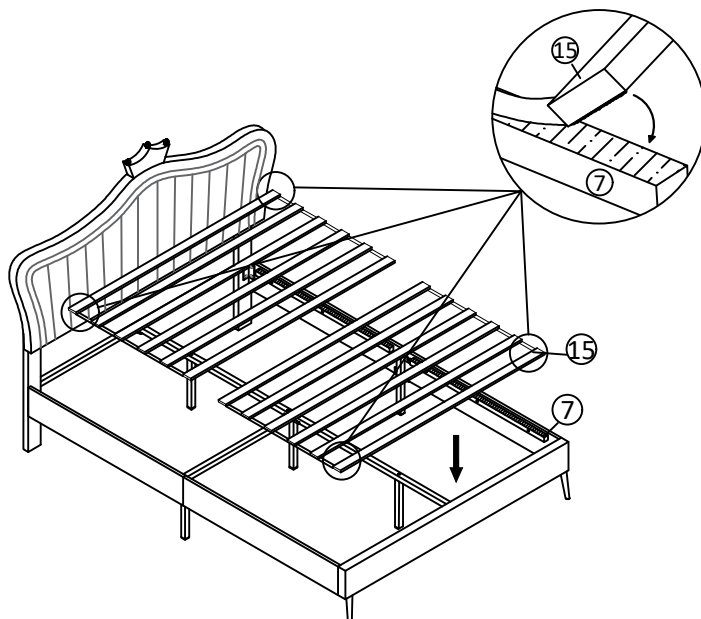
Step 12

At first, tear off the tape on the back of the LED Light Strip, stick it in side of the siderails and foot board. Please notice that the position of LED is about 1cm from the bottom. At second, fasten it with Buckle L and Nails K.



Step 13

Fix the slats (15) to the side support bar (7), the assembly is finished.

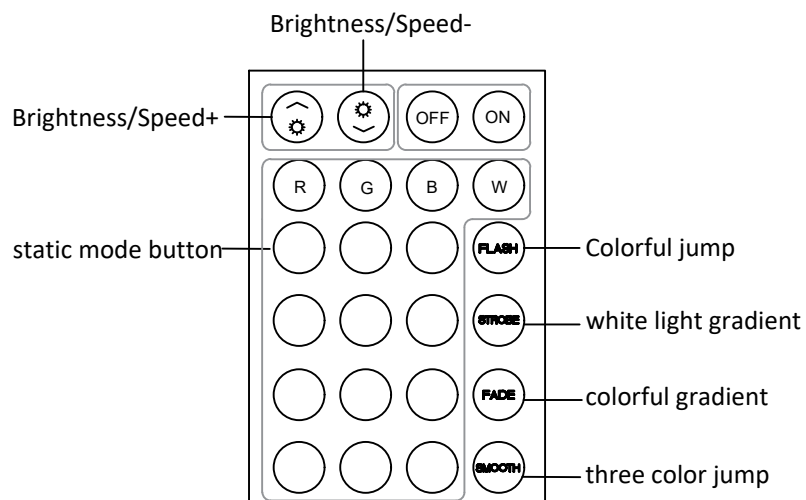
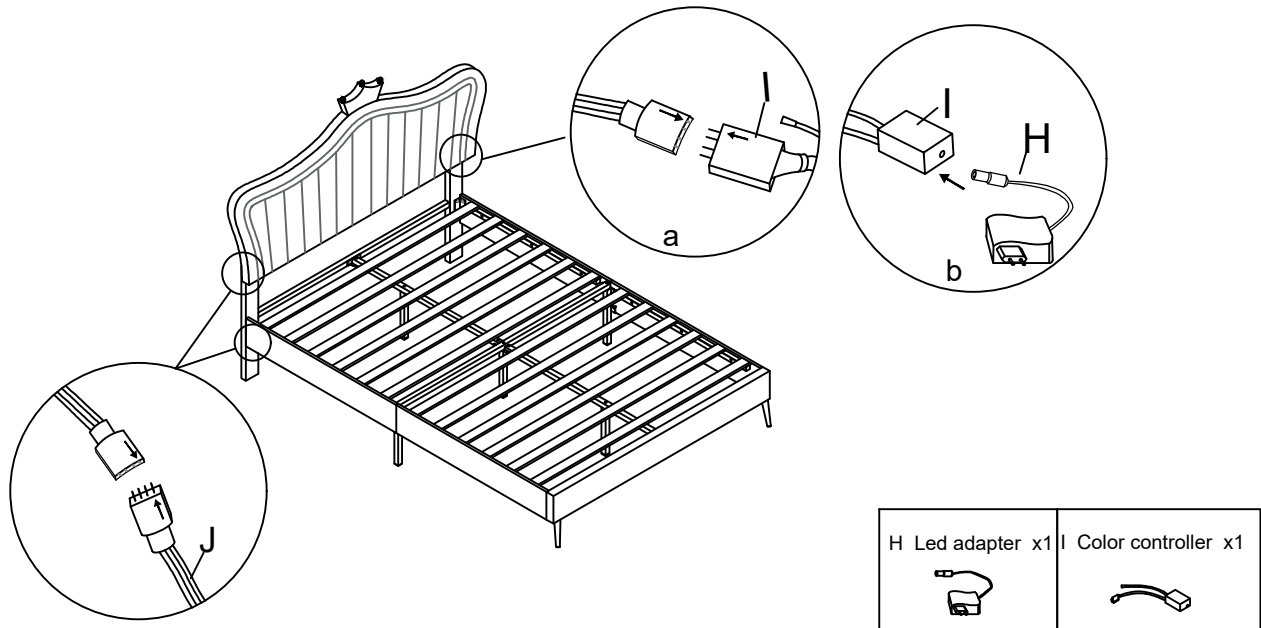


Step 14

At first connect the two led of the headboard and bed frame. Please notice → ← .

At second, put the color controller I to the light line, please notice that → ← .

At third, Fix the power adapter H to the Color controller I. Finally connect the power and enjoy the bed.



NOTICE:

When you use the remote control board to control the color of the light, Please remove the clear plastic card first, then please be sure to point the remote control at the color controller I.