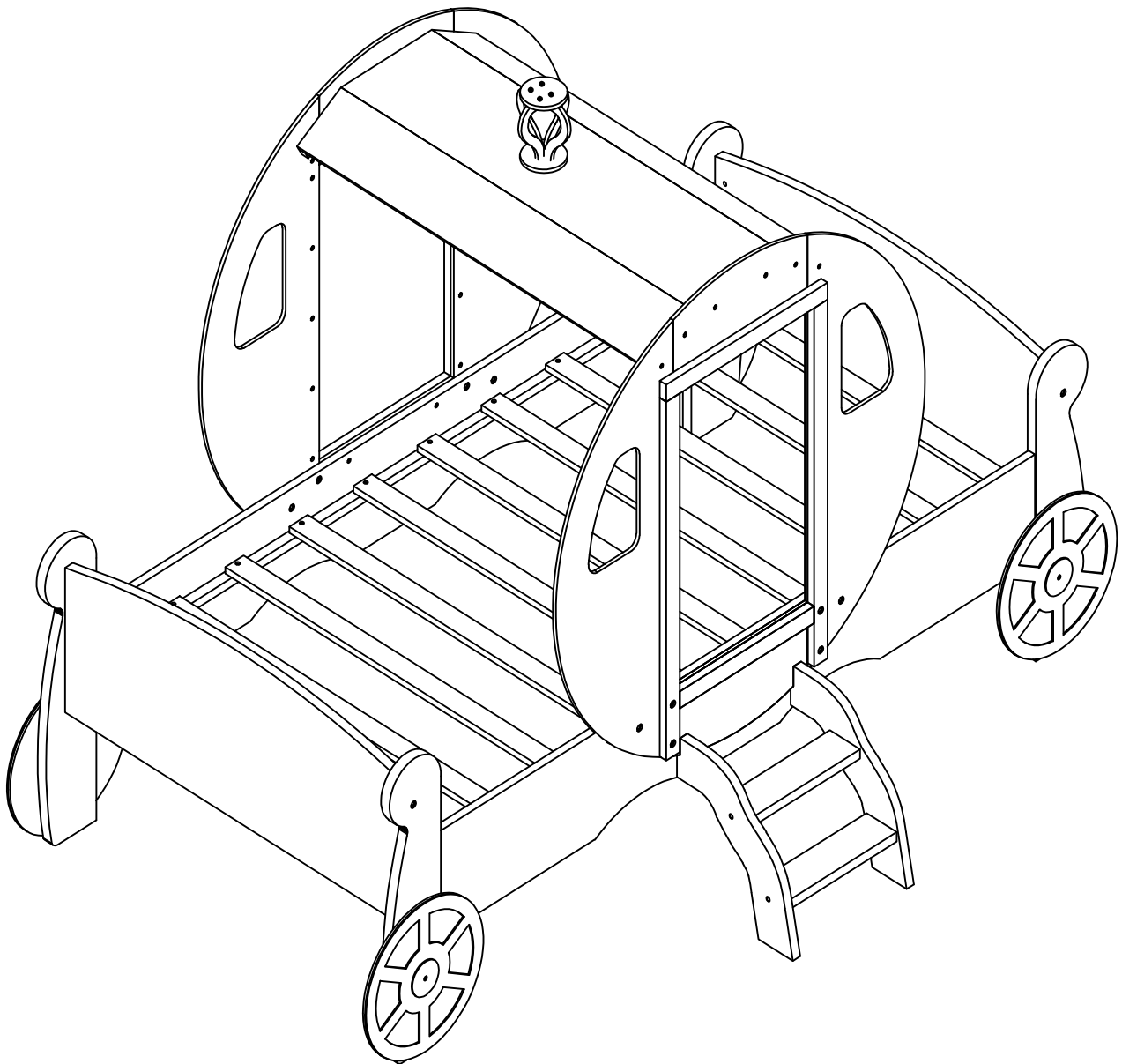


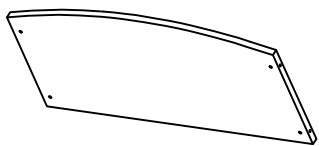
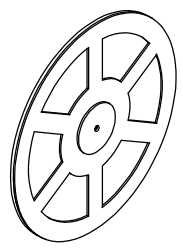
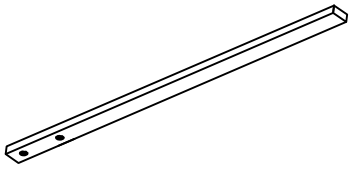
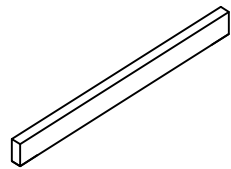
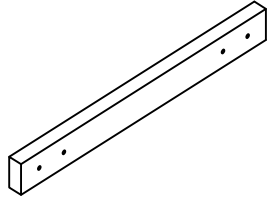
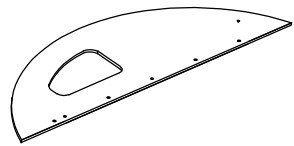
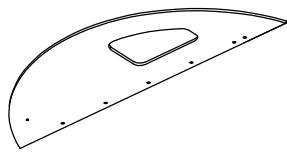
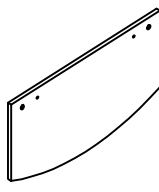
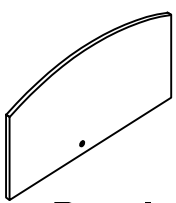
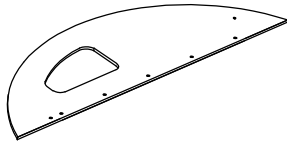
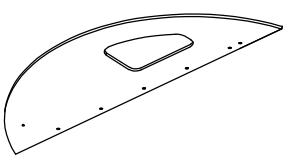
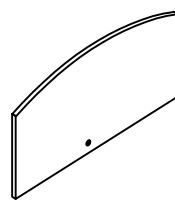
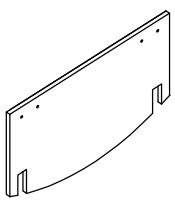
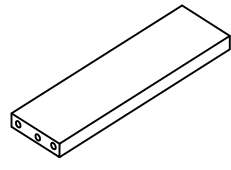
# ASSEMBLY INSTRUCTION

**SKU CODE: WF307385/WF307386**

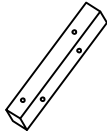
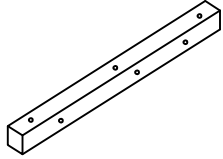
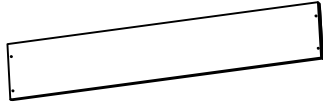
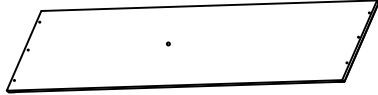
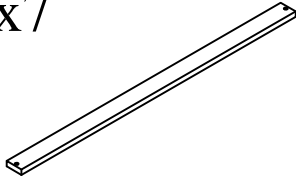
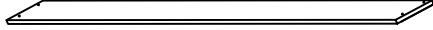
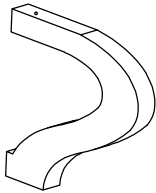
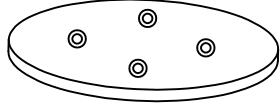




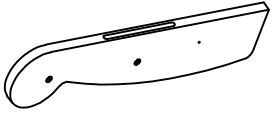
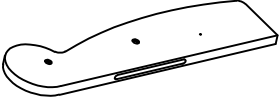
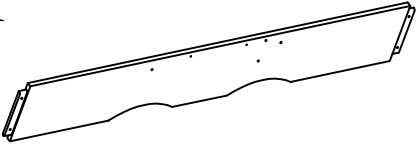
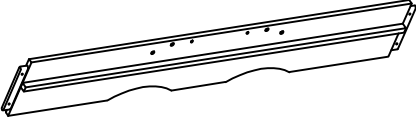
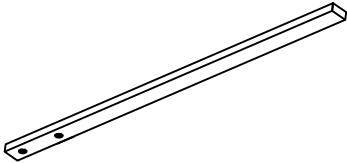
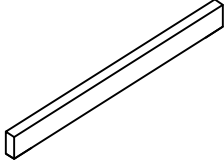

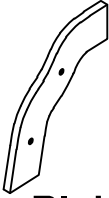
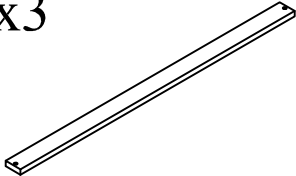
## Part List (WF307385)

|  |  |
|--|--|
| <p>③ x2 </p> <p style="text-align: center;"><b>Panels Headboard - Foodboard</b></p> | <p>⑥ x4 </p> <p style="text-align: right;"><b>Panels</b></p>                        |
| <p>⑦ x1 </p> <p style="text-align: center;"><b>Frame (Front,Back) Side Rail</b></p> | <p>⑧ x1 </p> <p style="text-align: center;"><b>Frame (Front,Back) Side Rail</b></p> |
| <p>⑨ x2 </p> <p style="text-align: center;"><b>Frame (Front,Back) Side Rail</b></p> | <p>⑩ x1 </p> <p style="text-align: center;"><b>Panels Side Rail</b></p>             |
| <p>⑪ x1 </p> <p style="text-align: center;"><b>Panels Side Rail</b></p>           | <p>⑫ x1 </p> <p style="text-align: center;"><b>Panels Side Rail</b></p>           |
| <p>⑬ x1 </p> <p style="text-align: center;"><b>Panels Side Rail</b></p>           | <p>⑭ x1 </p> <p style="text-align: center;"><b>Panels Side Rail</b></p>           |
| <p>⑮ x1 </p> <p style="text-align: center;"><b>Panels Side Rail</b></p>           | <p>⑯ x1 </p> <p style="text-align: center;"><b>Panels Side Rail</b></p>           |
| <p>⑰ x1 </p> <p style="text-align: center;"><b>Panels Side Rail</b></p>           | <p>⑳ x2 </p> <p style="text-align: center;"><b>Ladder Posts</b></p>               |

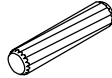
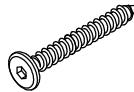







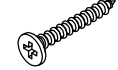

## Part List (WF307385)

|  |  |
|--|--|
| <p>②① x4</p>  <p>Wood Joined part</p> | <p>②② x2</p>  <p>Wood Joined part</p> |
| <p>②③ x1</p>  <p>Sides Roof</p>       | <p>②④ x1</p>  <p>Mid Roof</p>         |
| <p>②⑤ x7</p>  <p>Slats</p>            | <p>②⑥ x1</p>  <p>Sides Roof</p>       |
| <p>②⑦ x4</p>  <p>Decorate</p>       | <p>②⑧ x2</p>  <p>Decorate</p>       |

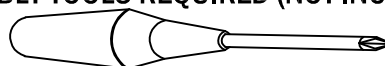
## Part List (WF307386)

|   |   |
|---|---|
| <p>① x2</p>  <p>Leg Headbread - Foodbread</p>    | <p>② x2</p>  <p>Leg Headbread - Foodbread</p>    |
| <p>④ x1</p>  <p>Side Rail</p>                    | <p>⑤ x1</p>  <p>Side Rail</p>                     |
| <p>⑦ x3</p>  <p>Frame (Front,Back) Side Rail</p> | <p>⑧ x1</p>  <p>Frame (Front,Back) Side Rail</p> |
| <p>⑱ x1</p>  <p>Left Leg Ladder</p>            | <p>⑲ x1</p>  <p>Right Leg Ladder</p>           |
| <p>⑳ x3</p>  <p>Slats</p>                      |   |

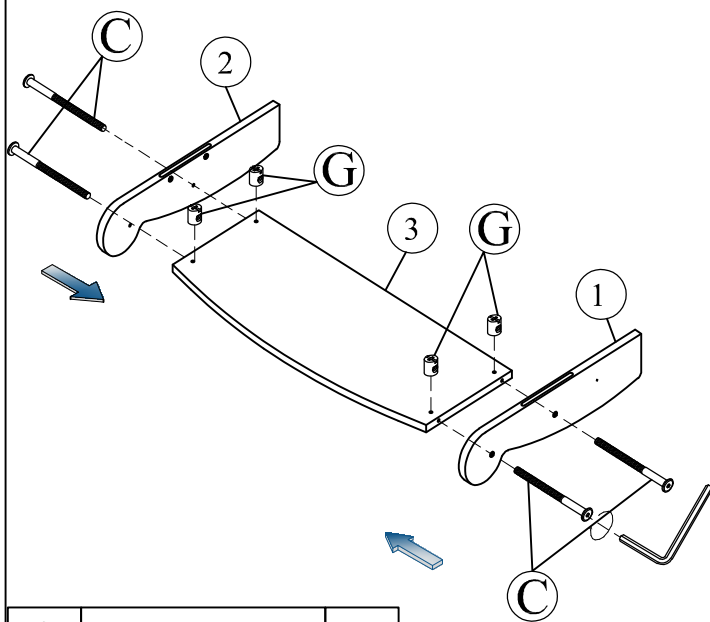
## Hardware List (WF307386)

| No. | OUTLOOK   | DESC                     | QTY |
|-----|---|--------------------------|-----|
| (A) |    | Dowel Ø8*30mm            | 08  |
| (B) |    | Screws M6*50mm           | 04  |
| (C) |    | Bolts M6*70mm            | 08  |
| (D) |    | Bolts M6*35mm            | 08  |
| (E) |    | Bolts M6*30mm            | 02  |
| (F) |    | Bolts M6*15mm            | 12  |
| (G) |    | Cross dowel M6*13mm      | 08  |
| (H) |   | Round head screw #8*20mm | 69  |
| (I) |  | Round head screw #8*35mm | 04  |
| (K) |  | Flat head screw #8*25mm  | 20  |
| (J) |  | Allen key 60*22*4mm      | 01  |

**ASSEMBLY TOOLS REQUIRED (NOT INCLUDED)**

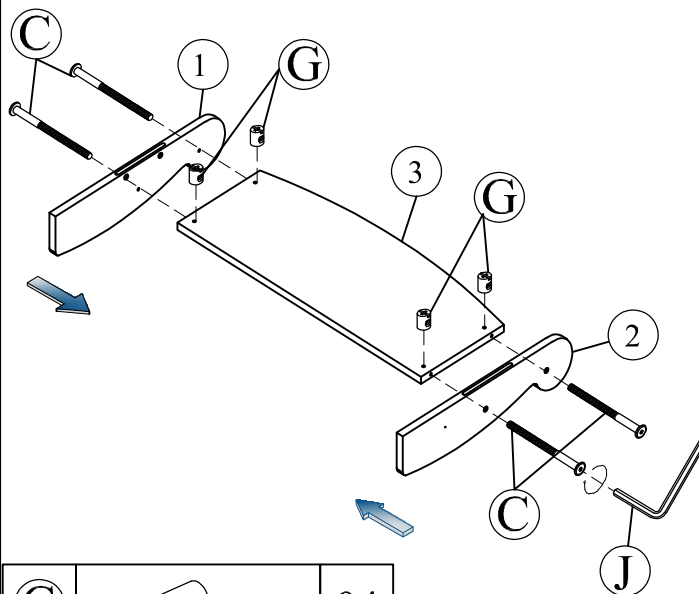


### STEP 1:



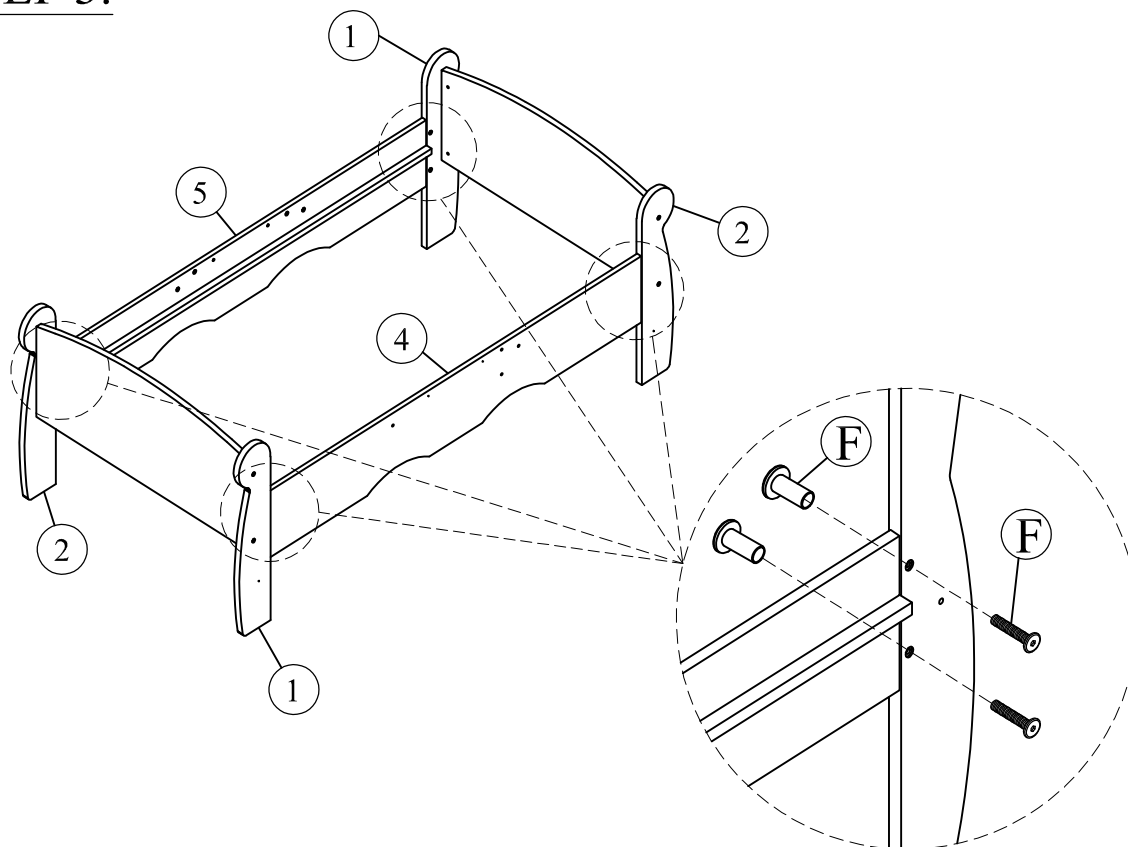
|   |  |    |
|---|--|----|
| G |  | 04 |
| C |  | 04 |
| J |  | 01 |

### STEP 2:




|   |  |    |
|---|--|----|
| G |  | 04 |
| C |  | 04 |
| J |  | 01 |

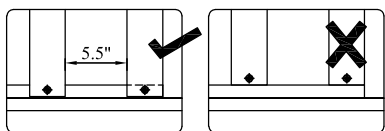
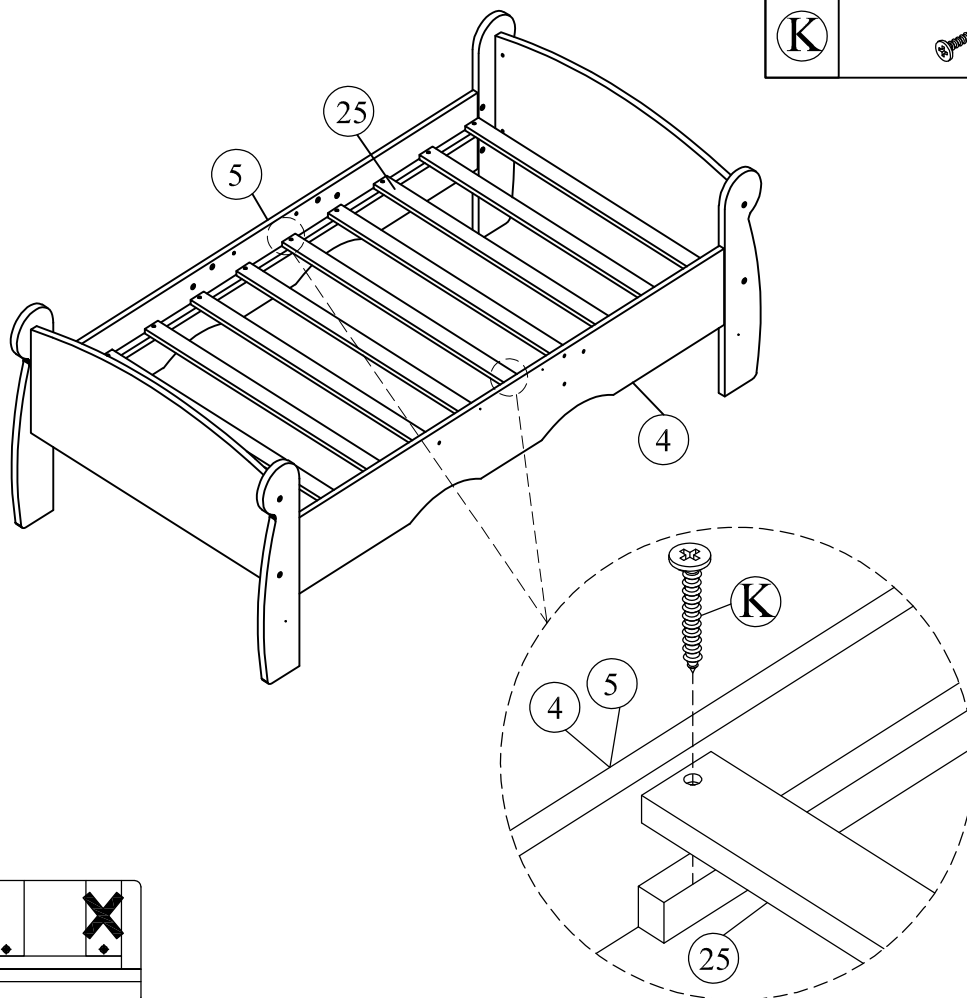
### STEP 3:



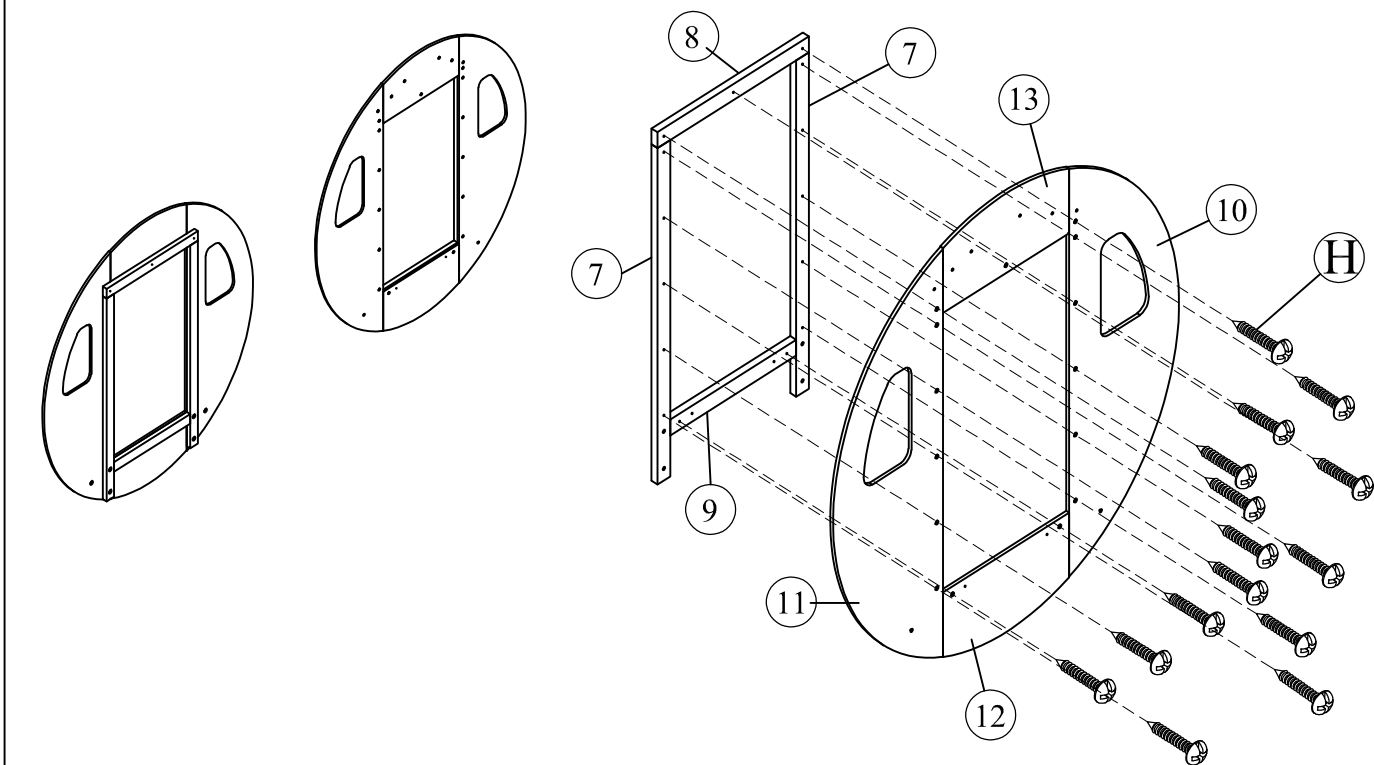
|   |  |    |
|---|--|----|
| F |  | 08 |
|---|--|----|


**STEP 4:**

|            |   |    |
|------------|---|----|
| <b>(K)</b> |  | 20 |
|------------|---|----|



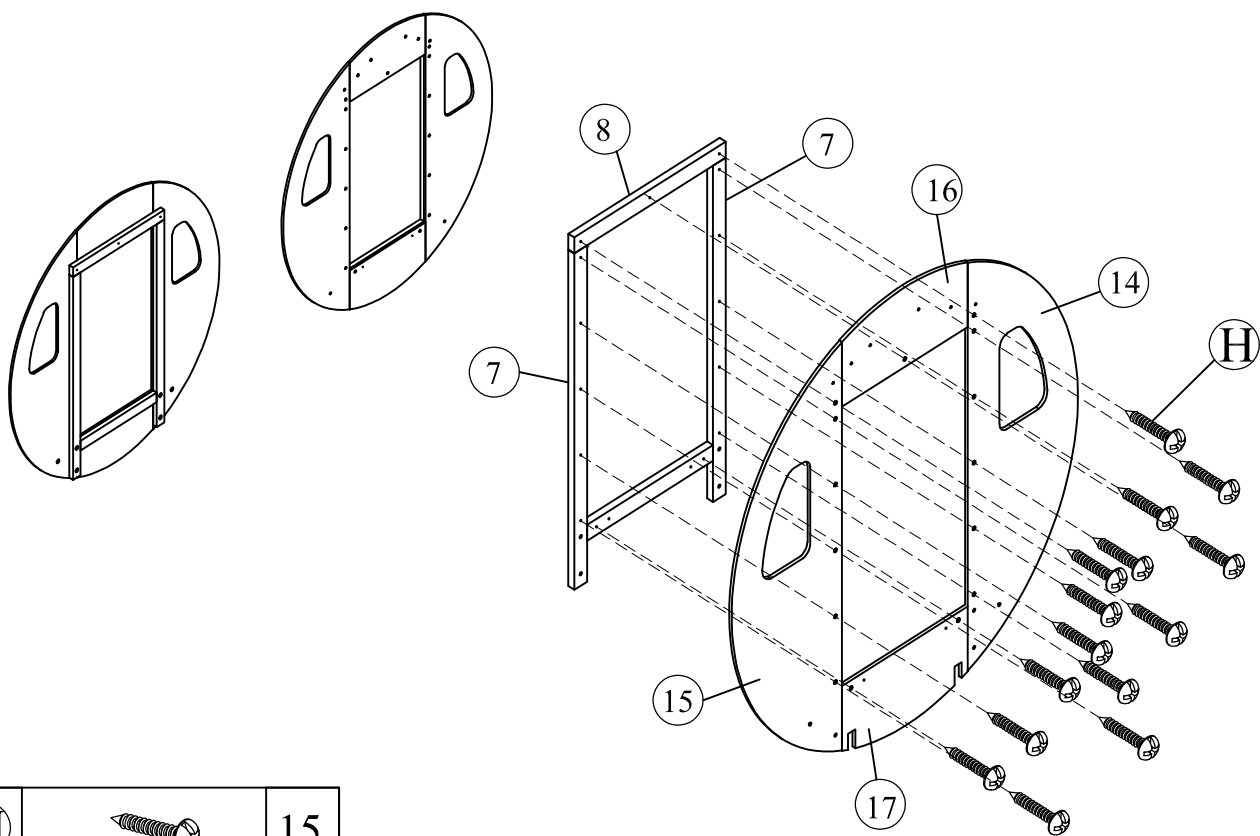
**STEP 5:**




|            |   |    |
|------------|---|----|
| <b>(H)</b> |  | 15 |
|------------|---|----|

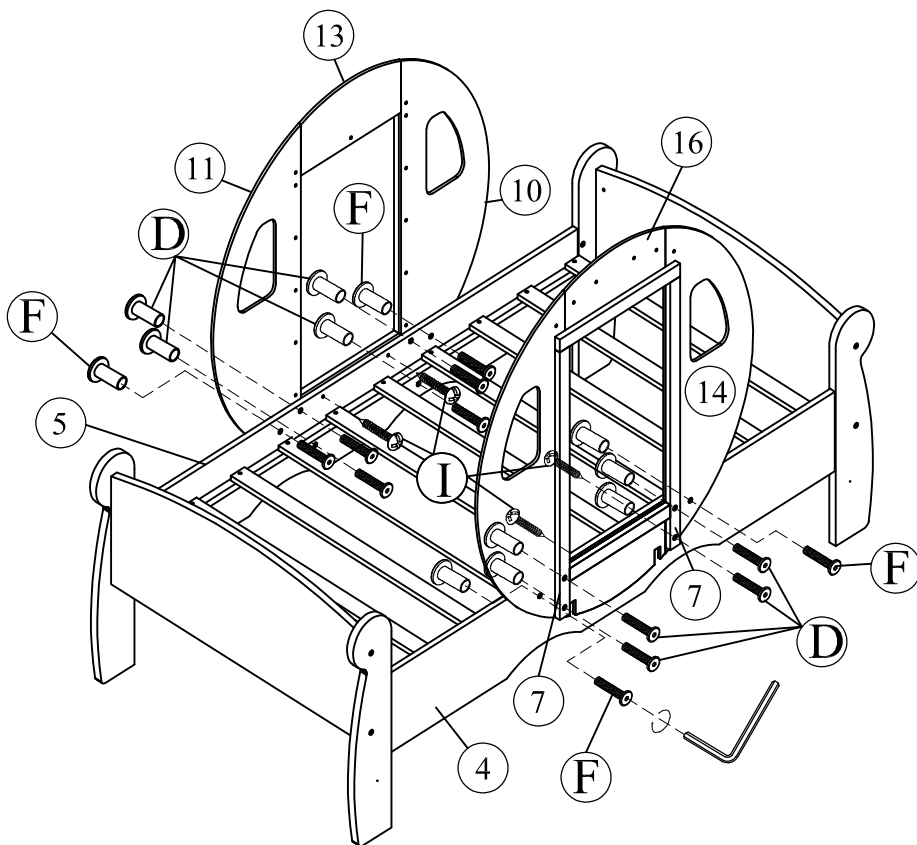




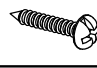

## STEP 6:



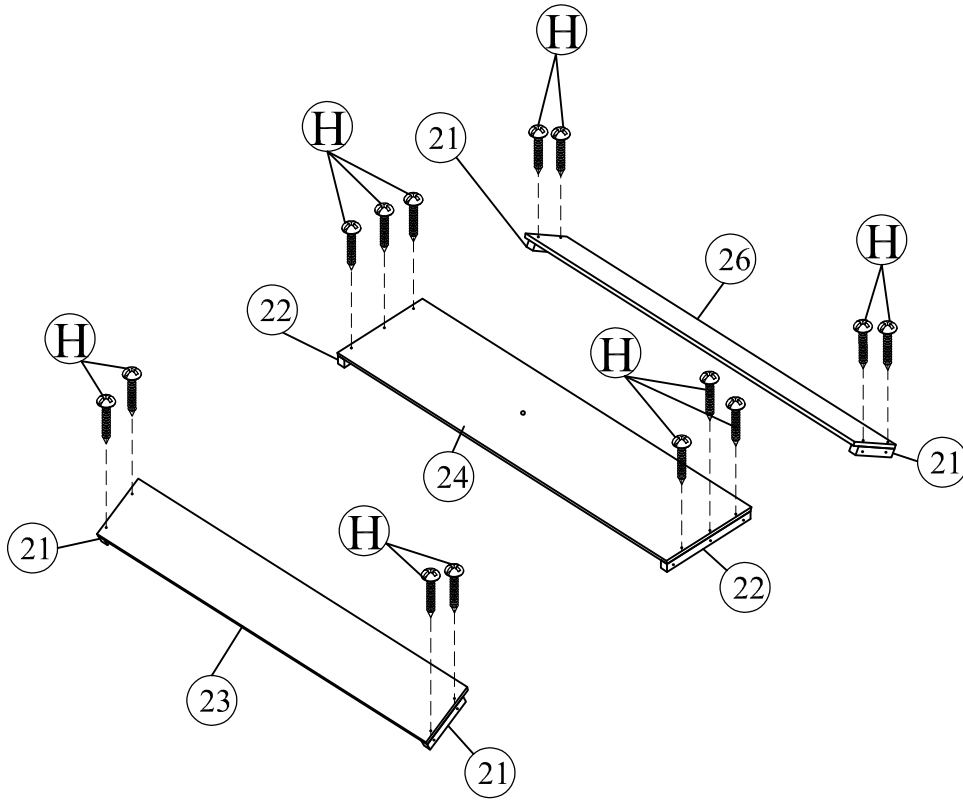
|   |   |    |
|---|---|----|
| H |  | 15 |
|---|---|----|


## STEP 7:



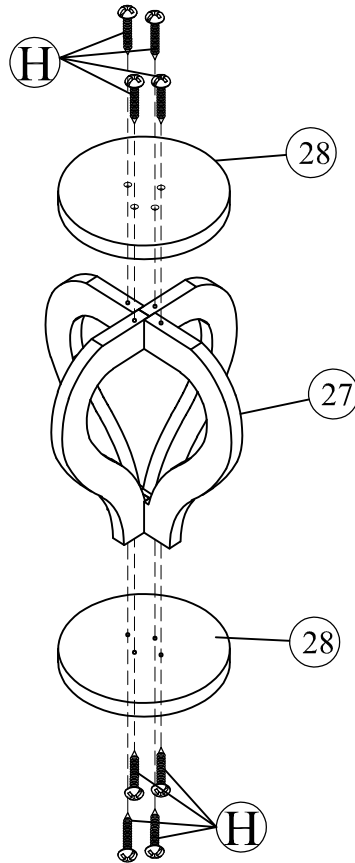
|   |   |    |
|---|---|----|
| D |  | 08 |
| F |  | 04 |
| I |  | 04 |
| J |  | 01 |


STEP 8:



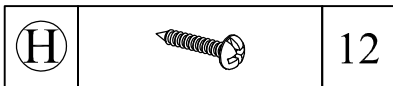
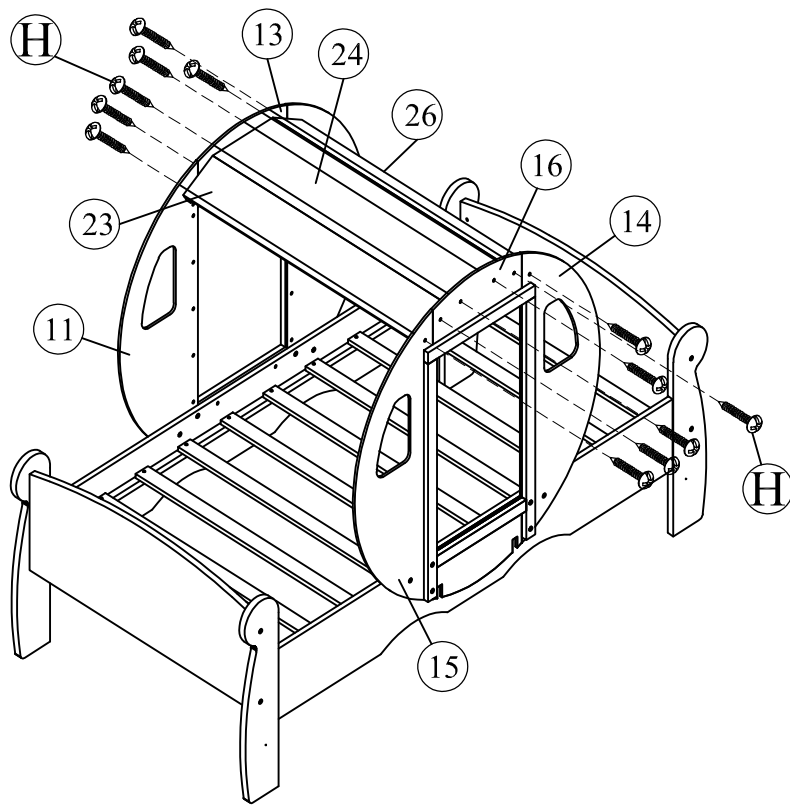
|   |   |    |
|---|---|----|
| H |  | 14 |
|---|---|----|

STEP 9:

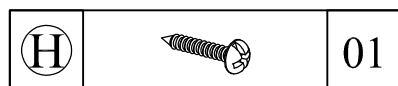
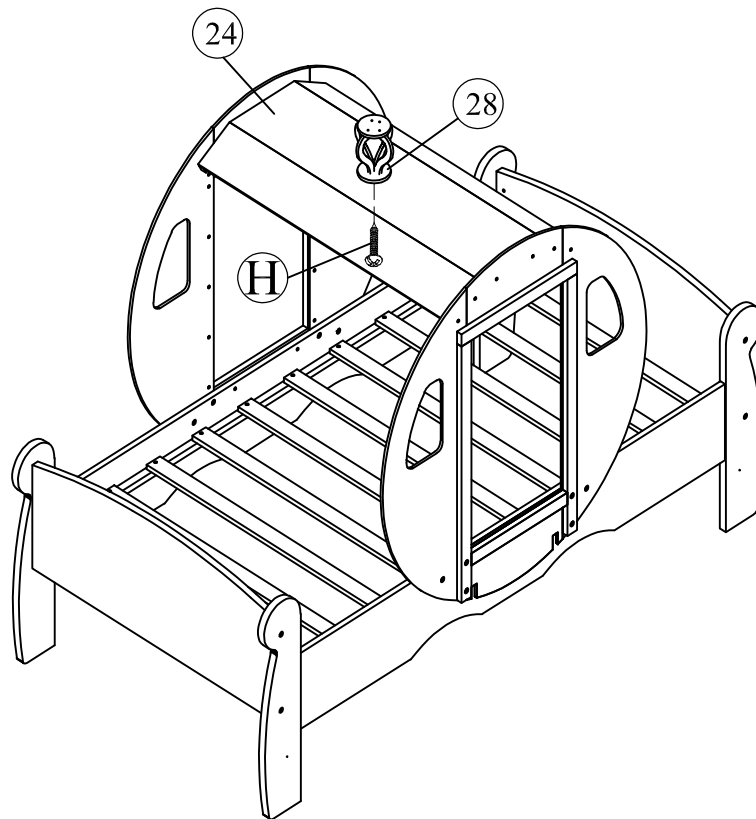


|   |   |    |
|---|---|----|
| H |  | 08 |
|---|---|----|




**STEP 10:**

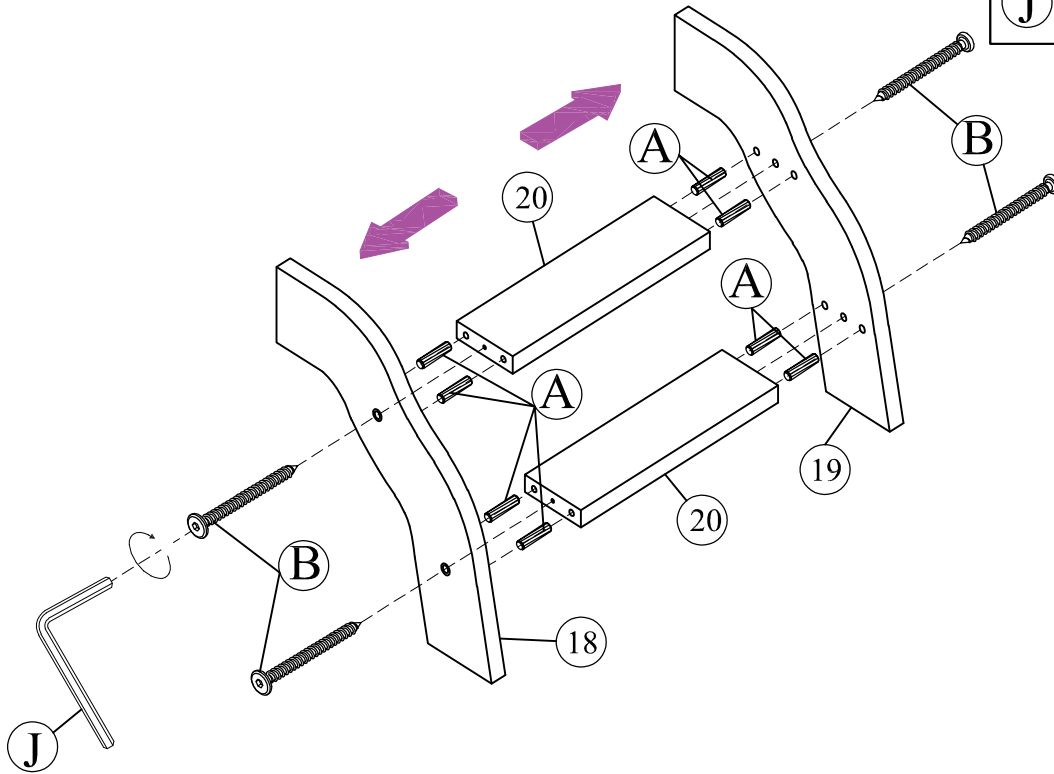


**STEP 11:**





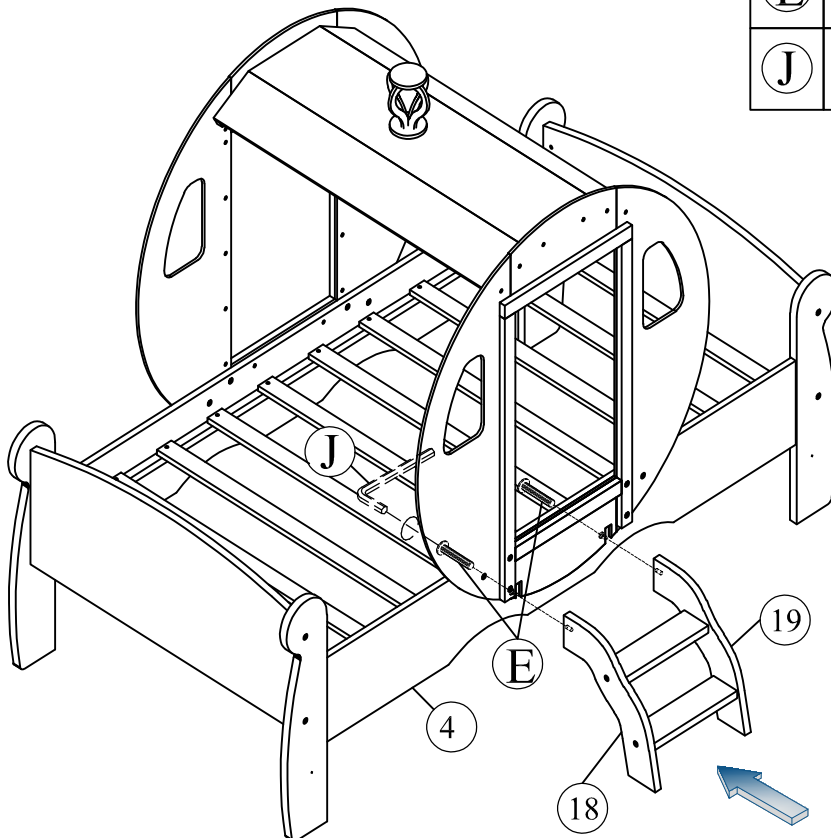
**STEP 12:**

|     |   |    |
|-----|---|----|
| (B) |  | 04 |
| (A) |  | 08 |
| (J) |  | 01 |




**STEP 13:**

|     |   |    |
|-----|---|----|
| (E) |  | 02 |
| (J) |  | 01 |



STEP 14:

|   |   |    |
|---|---|----|
| H |  | 04 |
|---|---|----|

