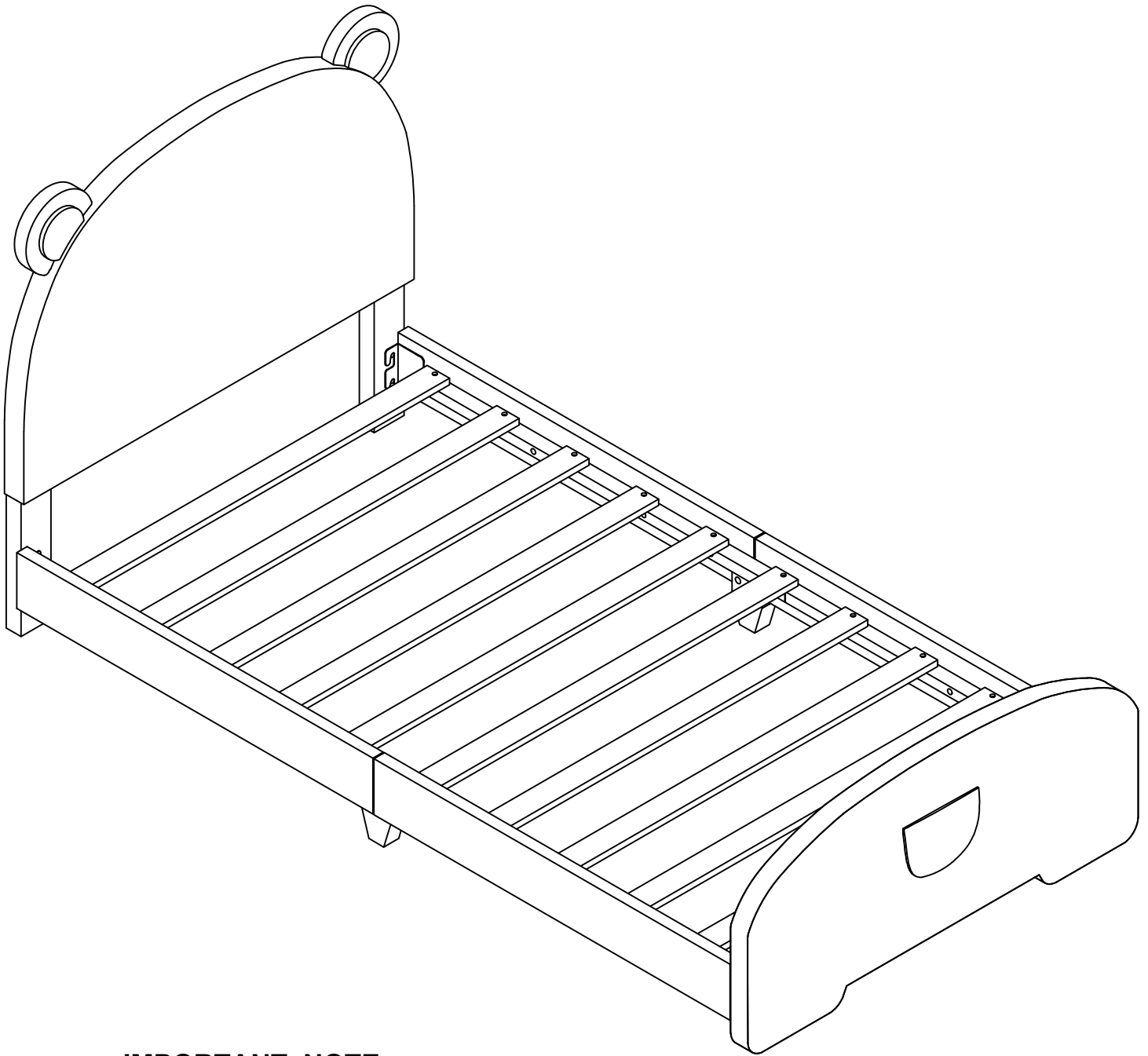


ASSEMBLY INSTRUCTIONS

WF307328



IMPORTANT NOTE

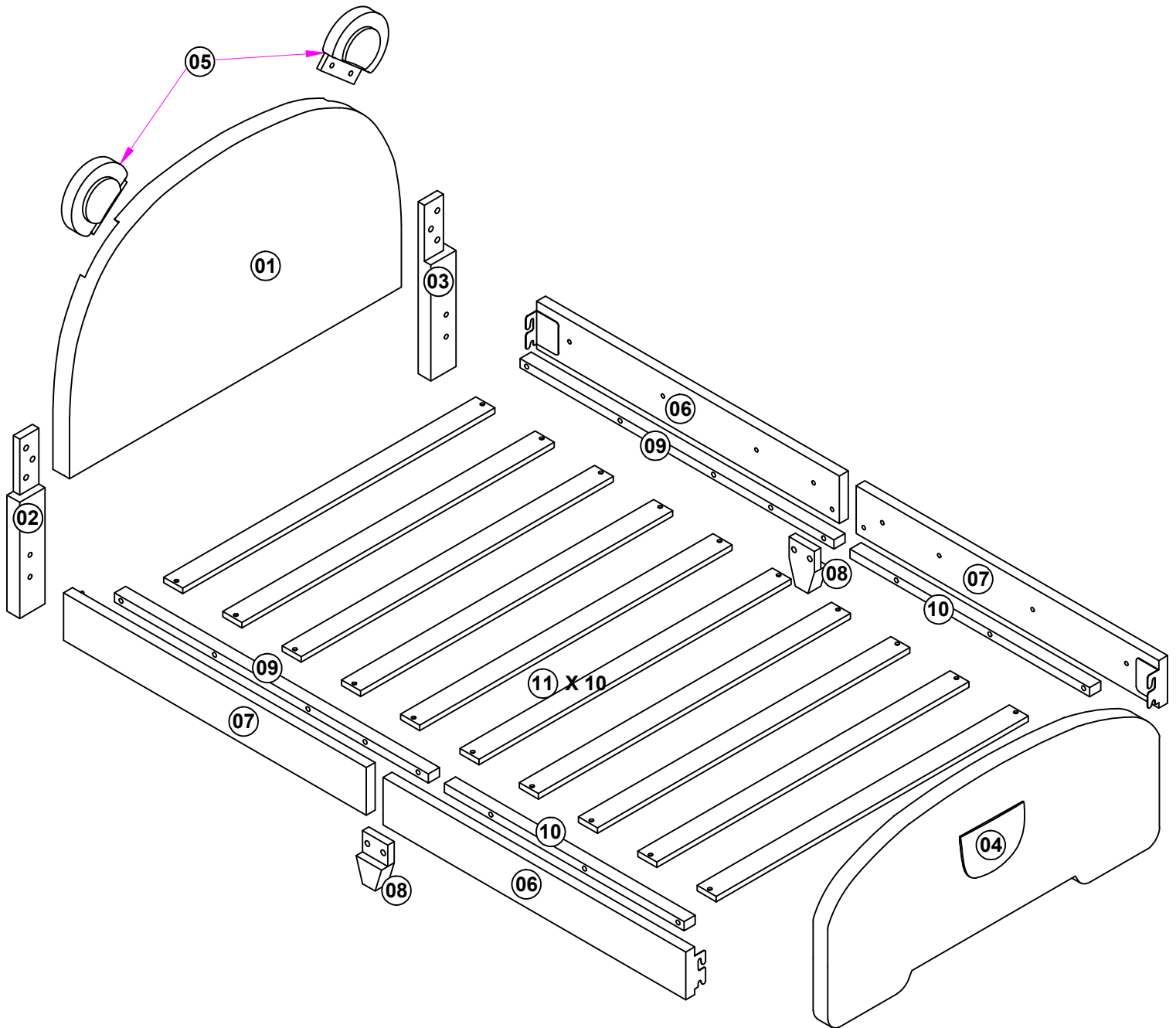
****PLACE ALL PARTS ON A CLEAN AND SMOOTH SURFACE SUCH AS A RUG OR CARPET TO AVOID THE PARTS FROM BEING SCRATCHED**

**** BEFORE YOU BEGIN , KINDY FOLLOW THE ASSEMBLY INSTRUCTIONS STEP BY STEP**

****DO NOT TIGHTEN ALL SCREWS AND BOLTS UNTIL THE BED IS FULLY SET-UP**

ASSEMBLY INSTRUCTIONS

WF307328

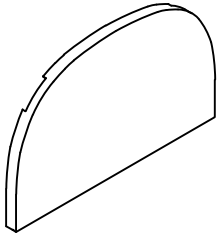


ASSEMBLY INSTRUCTIONS

WF307328

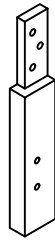
PART LIST BOX 1:WF307328

1



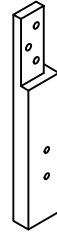
Headboard Panel (1 pc)

2



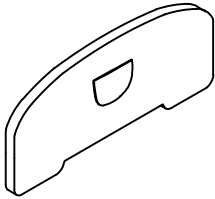
Left Headboard leg(1 pc)

3



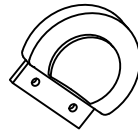
Right Headboard Leg(1 pc)

4



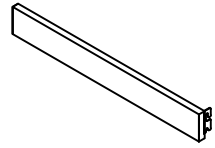
Footboard Panel (1 pc)

5



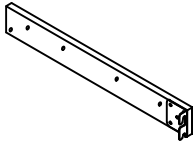
Headboard Ear (2 pcs)

6



Left Side Rail (2 pcs)

7



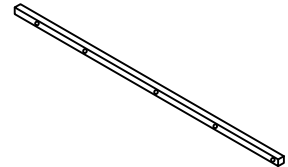
Right Side Rail (2pcs)

8



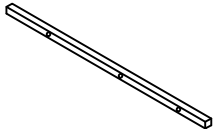
Rail support legs (2pcs)

9



Long Support Bar (2 pcs)

10



Short Support Bar (2 pcs)

11



Slat Roll (10 pcs)

ASSEMBLY INSTRUCTIONS

WF307328

HARDWARE LIST IN:WF307328

A

Short Bolt (8pcs)
(Ø 5/16 "X25mm)

B

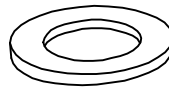
Long Bolt (10 pcs)
(Ø 5/16 "X38mm)

C

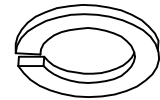
Long Bolt (4 pcs)
(Ø 5/16 "X32mm)

D

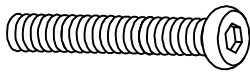
Allen Wrench (1 pc)
(M4x75mm x32mm)

E

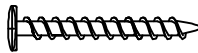
Flat Washer (38 pcs)
(Ø 5/16 "-RBW)

F

Spring Washer (38 pcs)
(Ø 5/16 "-RBW)

G

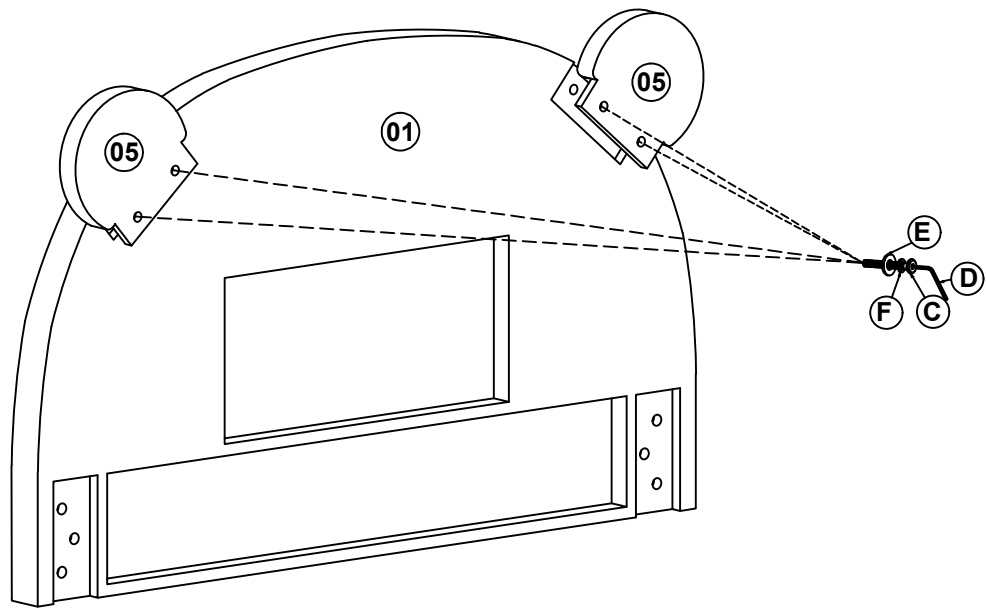
Long Bolt (16pcs)
(Ø 5/16 "X50mm)





H

Flat Head Screw (20 pcs)
(m4x30mm-RBW)

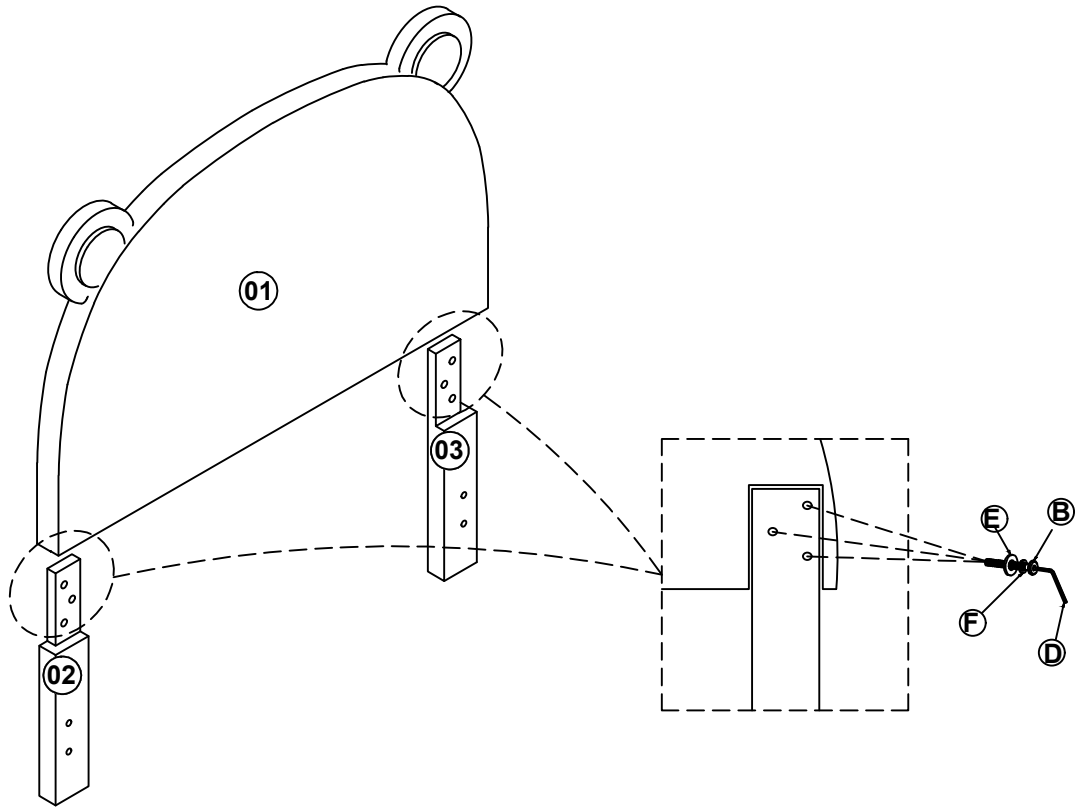
ASSEMBLY INSTRUCTIONS





STEP 1



C	Bolt (Ø 5/16 "X32mm)		4pcs	E	Flat Washer (Ø 5/16 "-RBW)		4pcs
D	Allen Wrench (M4x75mm x32mm)		1pc	F	Spring Washer (Ø 5/16 "-RBW)		4pcs

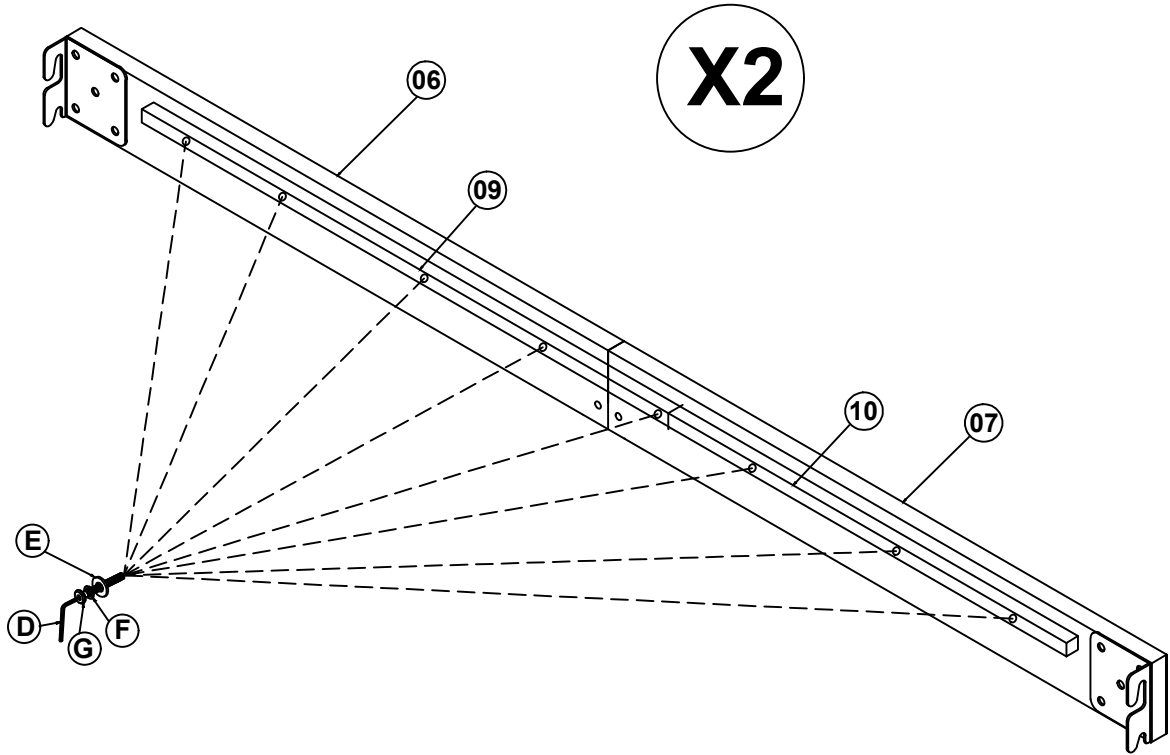
STEP 2


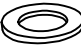




B		(Ø 5/16 "X38mm)	6pcs	E		(Ø 5/16 "-RBW)	6pcs
D		(M4x75mm x32mm)	1pc	F		(Ø 5/16 "-RBW)	6pcs

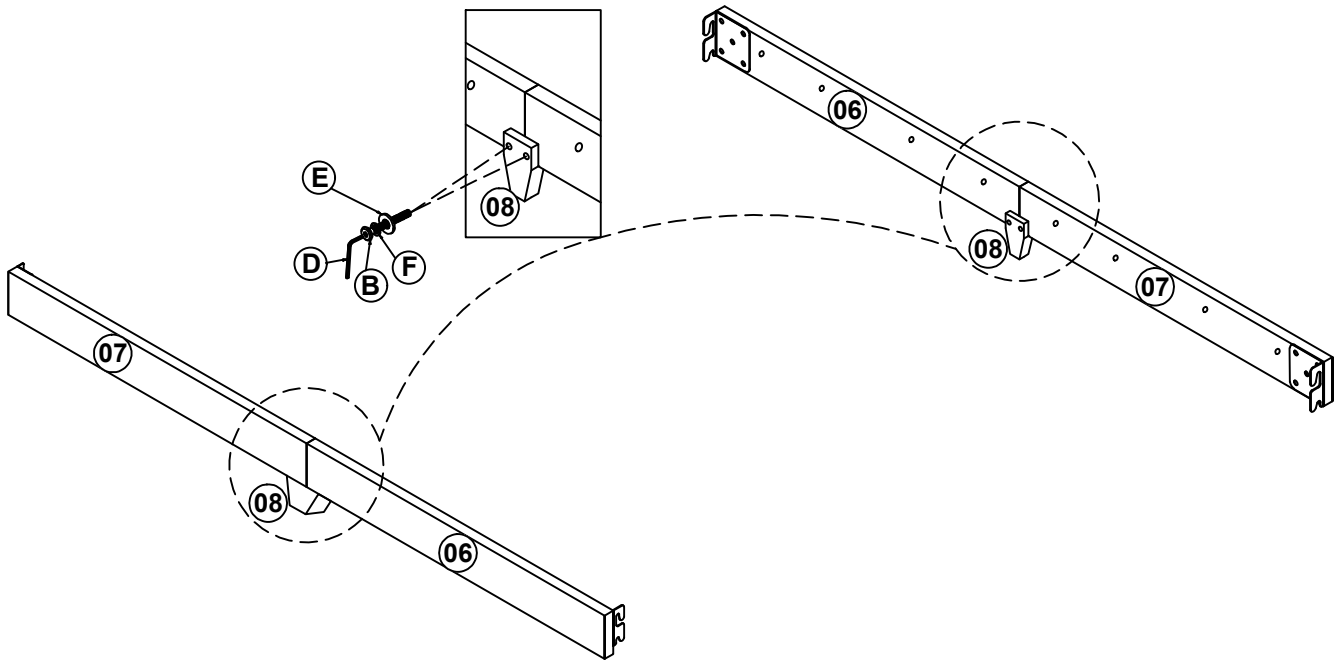
ASSEMBLY INSTRUCTIONS


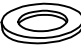


STEP 3



G	Bolt (Ø 5/16 "X50mm)		16pcs	E	Flat Washer (Ø 5/16 "-RBW)		16pcs
D	Allen Wrench (M4x75mm x32mm)		1pc	F	Spring Washer (Ø 5/16 "-RBW)		16pcs

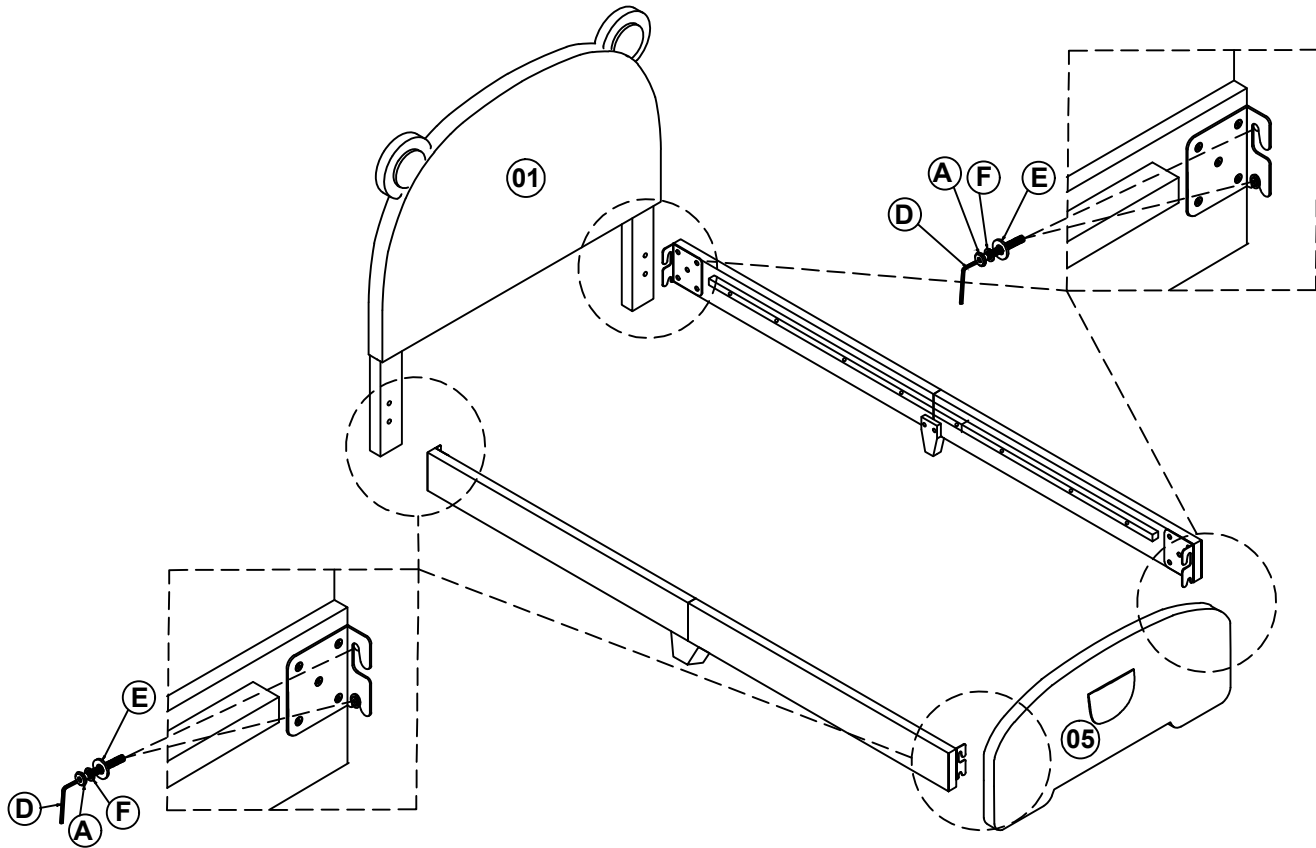
STEP 4







B	Bolt (Ø 5/16 "X38mm)		4pcs	E	Flat Washer (Ø 5/16 "-RBW)		4pcs
D	Allen Wrench (M4x75mm x32mm)		1pc	F	Spring Washer (Ø 5/16 "-RBW)		4pcs

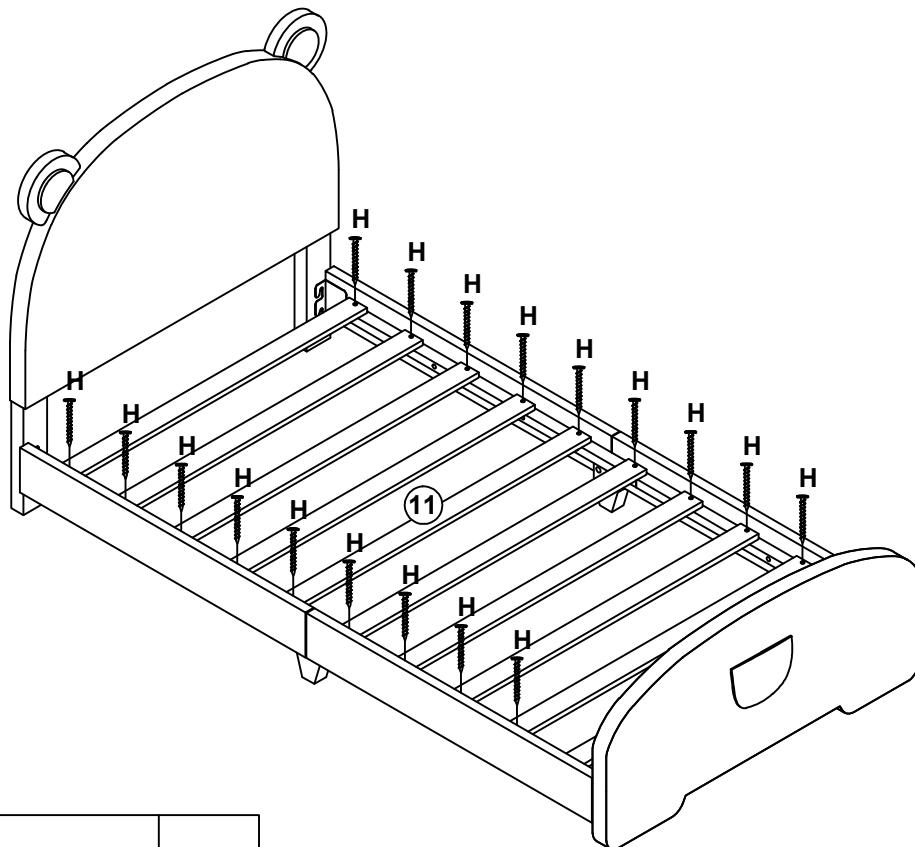
ASSEMBLY INSTRUCTIONS

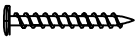
STEP 5



A	Bolt (Ø 5/16 "X25mm)		8pcs	E	Flat Washer (Ø 5/16 "-RBW)		8pcs
D	Allen Wrench (M4x75mm x32mm)		1pc	F	Spring Washer (Ø 5/16 "-RBW)		8pcs

STEP 6



H		(m4x30mm-RBW)	20pcs
---	---	----------------	-------

ASSEMBLY INSTRUCTIONS

STEP 7
COMPLETE

