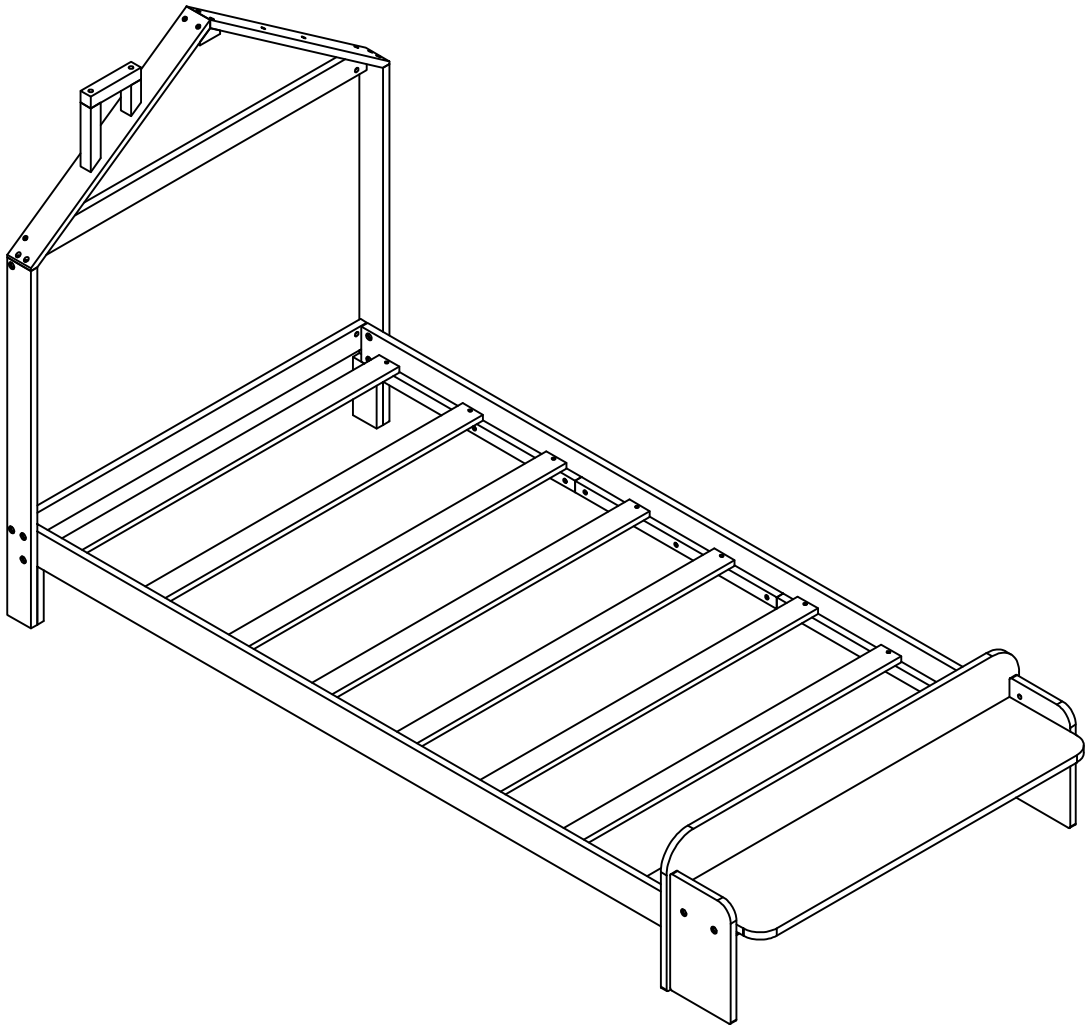
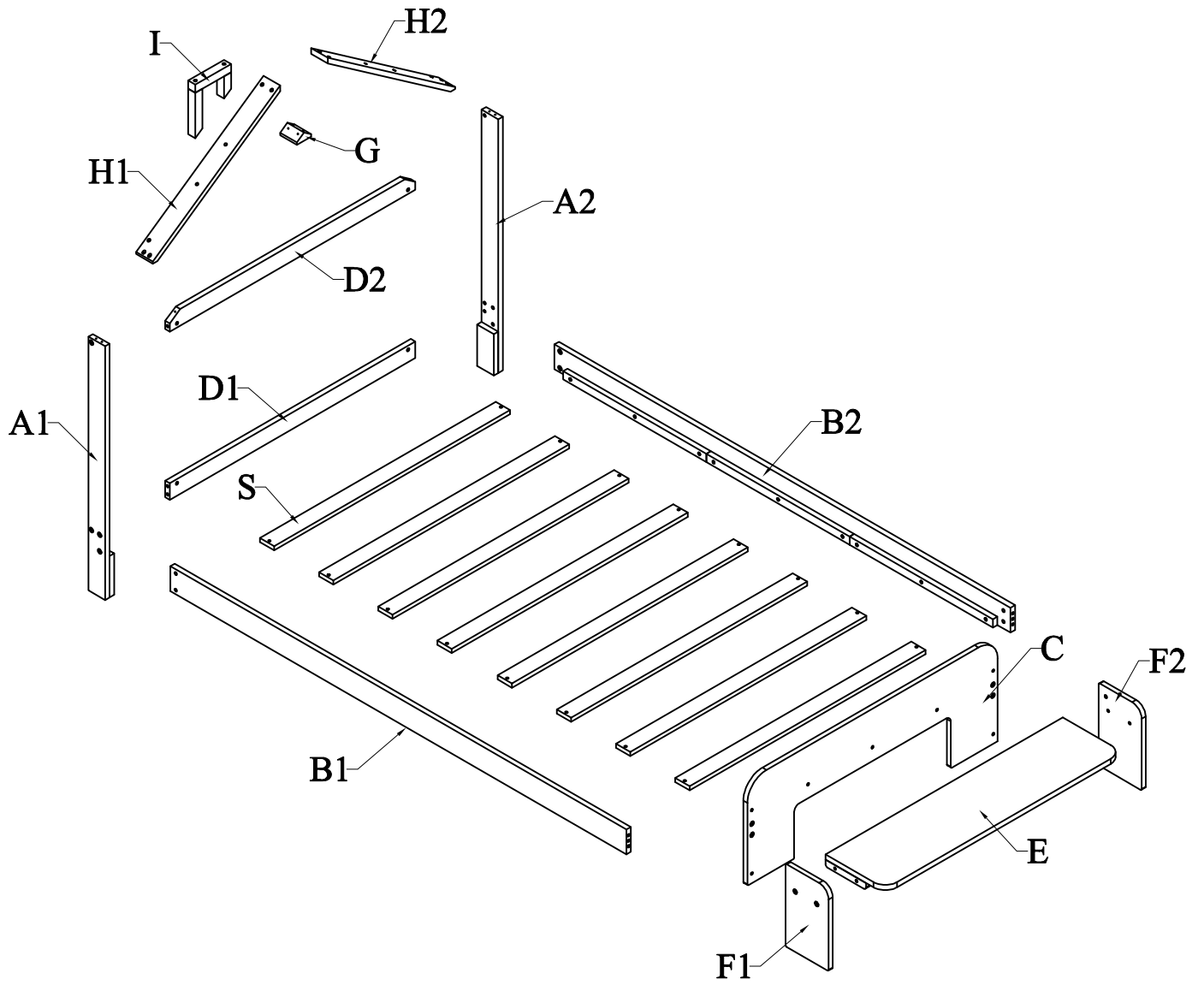


# ASSEMBLY INSTRUCTIONS



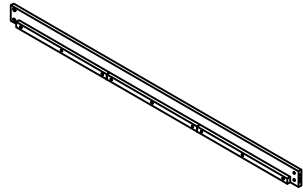
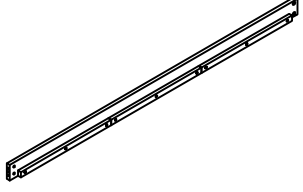
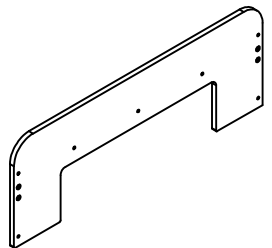
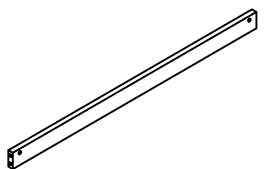
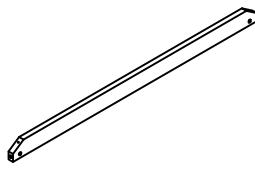
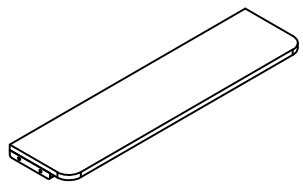
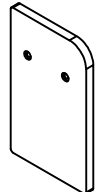
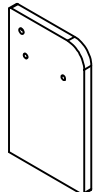
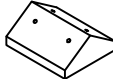
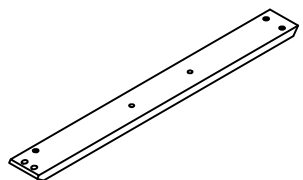
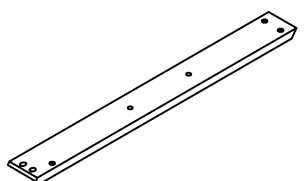
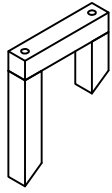
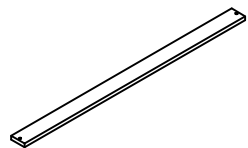
ITEM CODE: WF307085



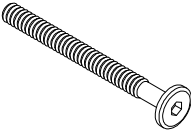
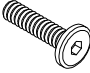
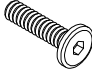

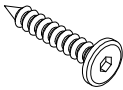

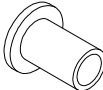
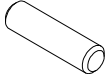
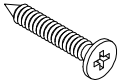
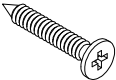
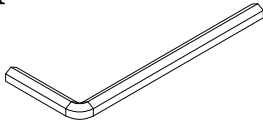
# DETAIL VIEW

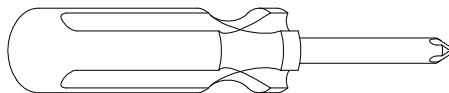


# BOX: WF307085

<p><b>A1</b></p>  <p>Leg - left (1pc)</p>	<p><b>A2</b></p>  <p>Leg - right (1pc)</p>	<p><b>B1</b></p>  <p>Side rail - left (1pc)</p>	<p><b>B2</b></p>  <p>Side rail - right (1pc)</p>
<p><b>C</b></p>  <p>Headboard (1pc)</p>	<p><b>D1</b></p>  <p>Horizontal rail - bottom (1pc)</p>	<p><b>D2</b></p>  <p>Horizontal rail - top (1pc)</p>	<p><b>E</b></p>  <p>Bench seat frame (1pc)</p>
<p><b>F1</b></p>  <p>Bench leg - left (1pc)</p>	<p><b>F1</b></p>  <p>Bench leg - right (1pc)</p>	<p><b>G</b></p> 	<p><b>H1</b></p>  <p>Vertical bar front - left (1pc)</p>
<p><b>H2</b></p>  <p>Vertical bar front - left (1pc)</p>	<p><b>I</b></p>  <p>Chimney frame (1pc)</p>	<p><b>S</b></p>  <p>Slats (8pcs)</p>	

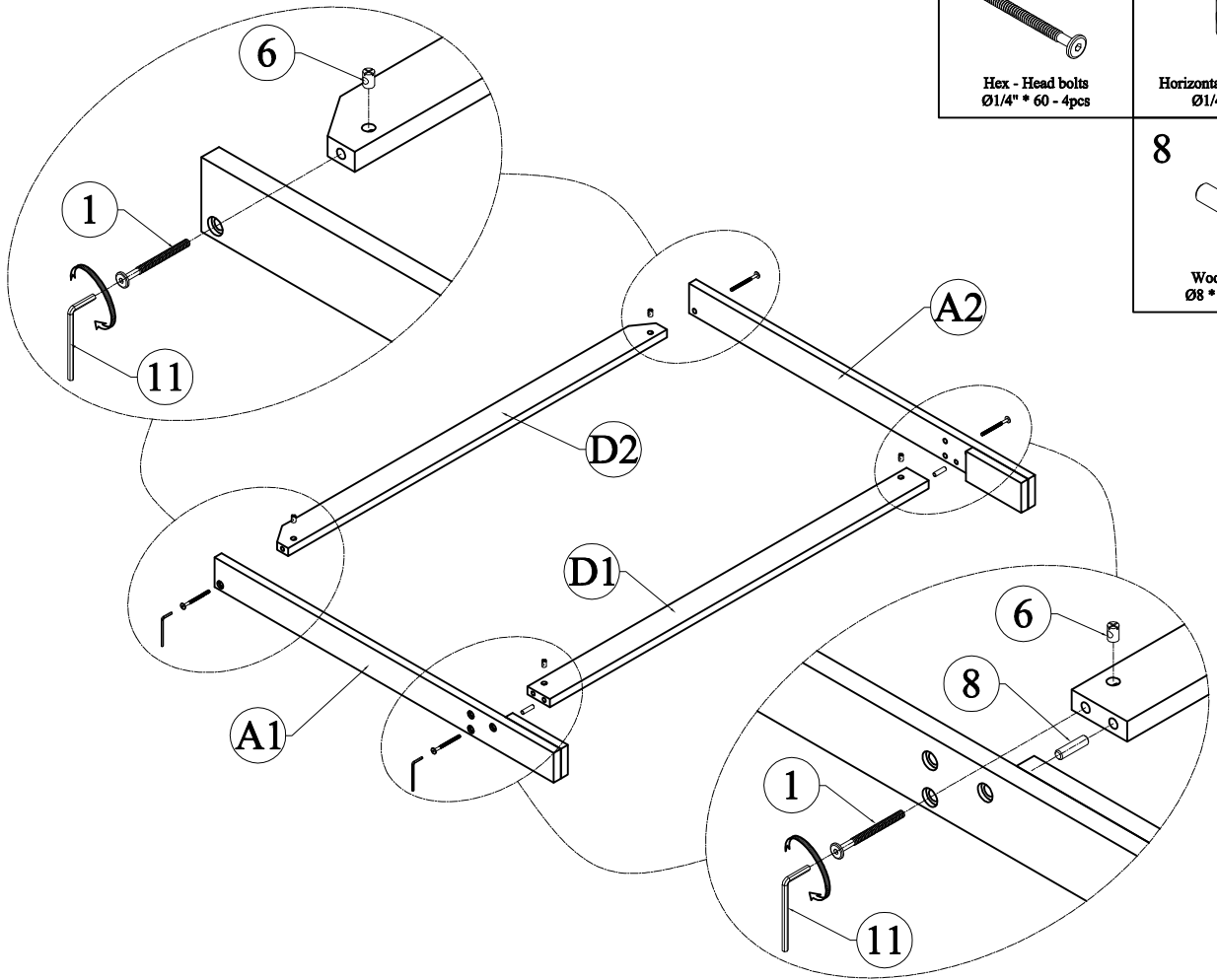
# HARDWARE LIST: WF307085

<p>1</p>  <p>Hex - Head bolts Ø1/4" * 60 - 12pcs</p>	<p>2</p>  <p>Hex - Head bolts Ø1/4" * 35 - 4pcs</p>	<p>3</p>  <p>Hex - Head bolts Ø1/4" * 25 - 4pcs</p>	<p>4</p>  <p>Hexagonal bolts catch wood Ø6 * 50 - 2pcs</p>
<p>5</p>  <p>Hexagonal bolts catch wood Ø6 * 35 - 2pcs</p>	<p>6</p>  <p>Horizontal - Hold bolts Ø1/4" - 12pcs</p>	<p>7</p>  <p>Canopy head though Ø1/4" - 4pcs</p>	<p>8</p>  <p>Wood dowel Ø8 * 30 - 5pcs</p>
<p>9</p>  <p>Wood crews M4 * 30 - 10pcs</p>	<p>10</p>  <p>Wood crews M4 * 25 - 16pcs</p>	<p>11</p>  <p>Allen key K4 - 2pc</p>	



**Assembly Tools Required (Not Included)**

# STEP 1



**1**

Hex - Head bolts  
Ø1/4" \* 60 - 4pcs

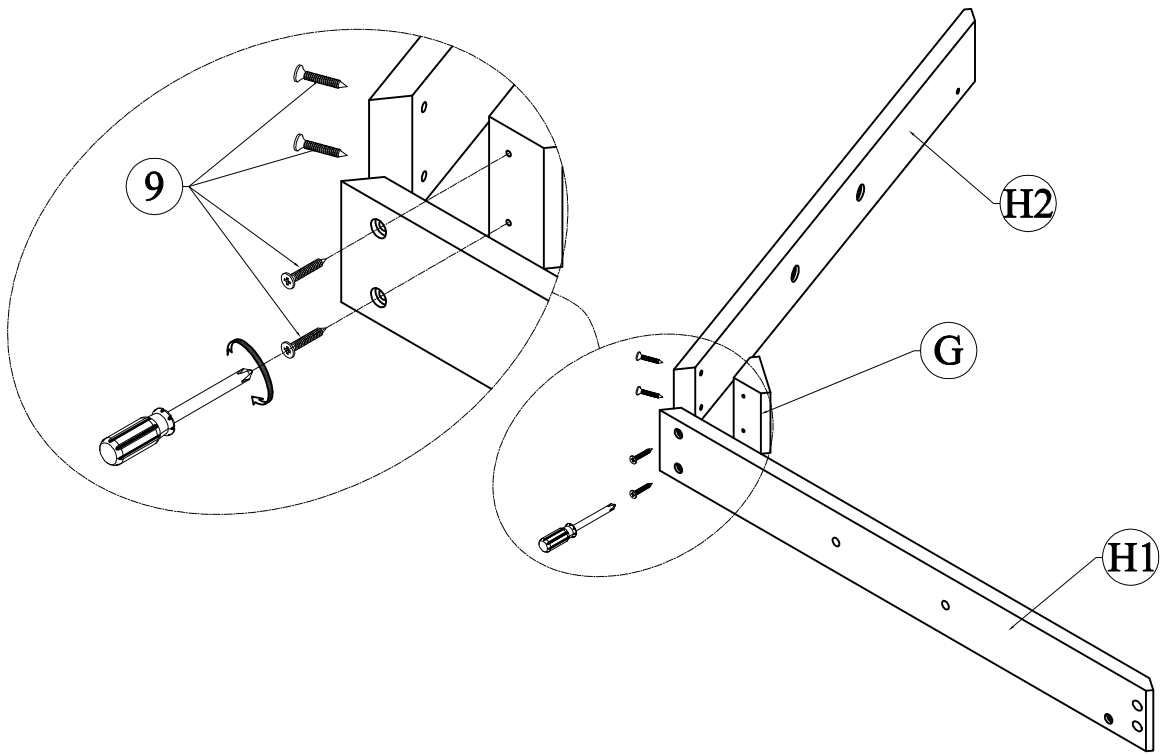
**6**

Horizontal - Hold bolts  
Ø1/4" - 4pcs

**8**

Wood dowel  
Ø8 \* 30 - 2pcs

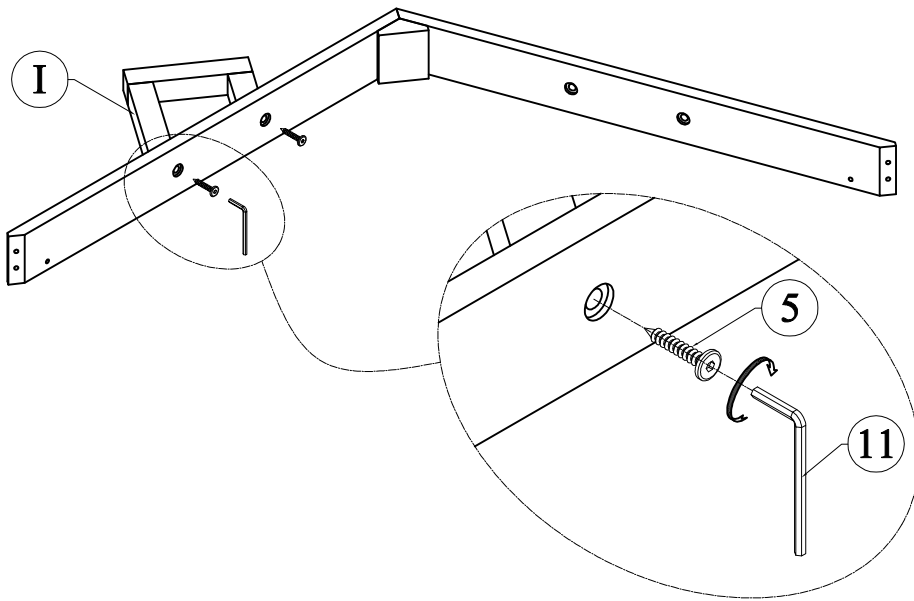
# STEP 2



**9**

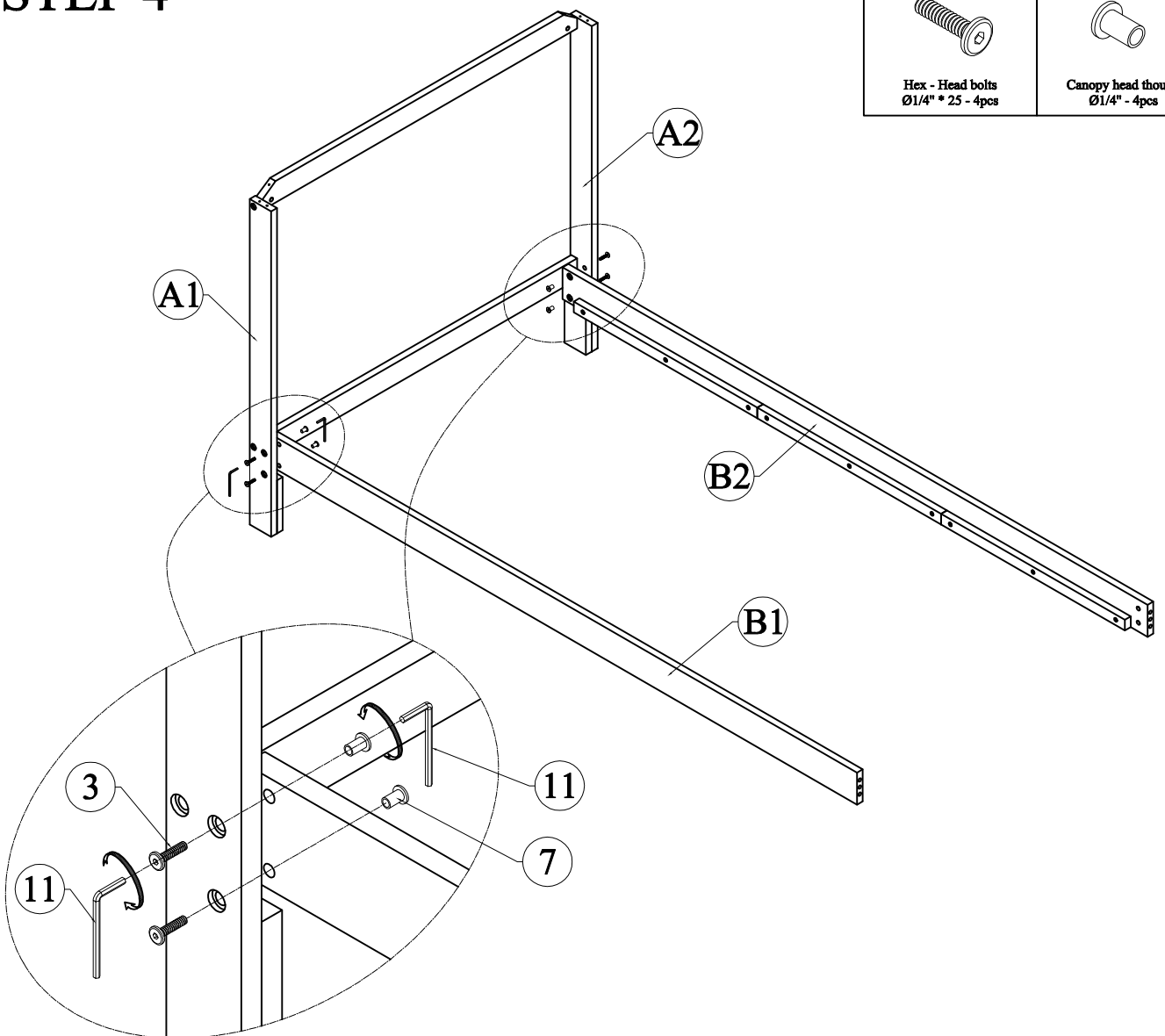
Wood crews  
M4 \* 30 - 4pc

# STEP 3



5  
Hexagonal bolts catch wood  
Ø6 \* 35 - 2pcs

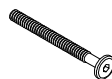
# STEP 4



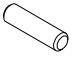
3  
Hex - Head bolts  
Ø1/4" \* 25 - 4pcs

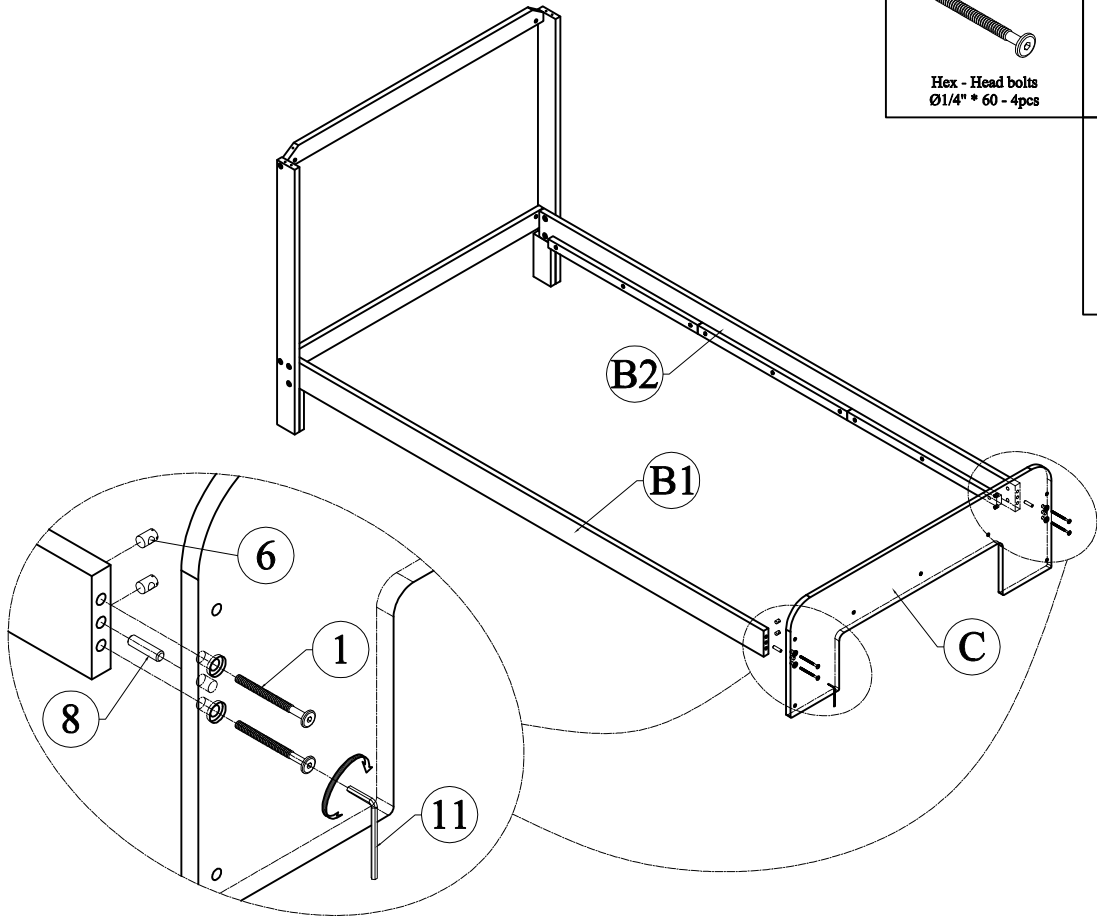
7  
Canopy head through  
Ø1/4" - 4pcs

# STEP 5


1  
  
Hex - Head bolts  
Ø1/4" \* 60 - 4pcs

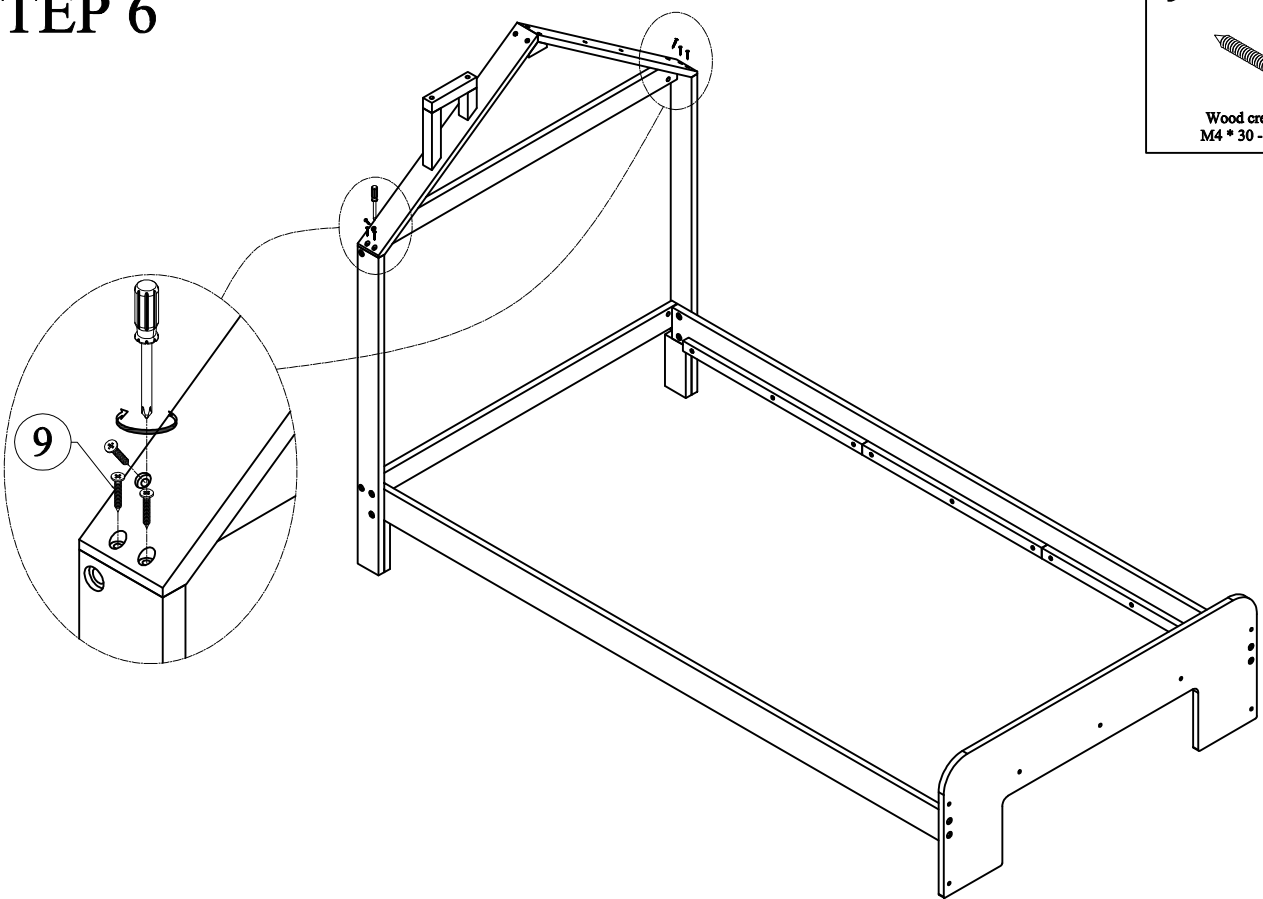
6  
  
Horizontal - Hold bolts  
Ø1/4" - 4pcs

8  
  
Wood dowel  
Ø8 \* 30 - 2pcs



# STEP 6

9  
  
Wood crews  
M4 \* 30 - 6pc

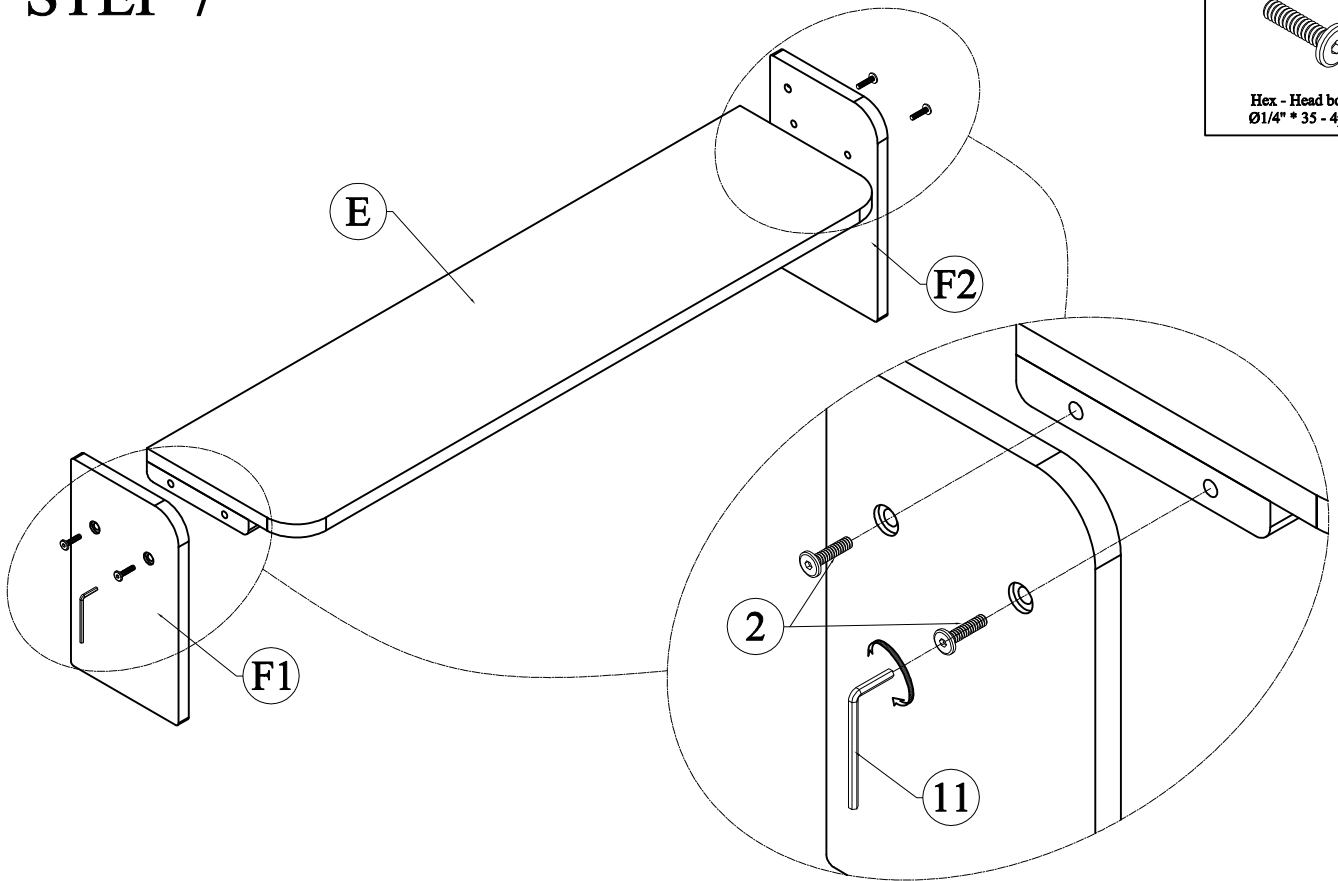


# STEP 7

2

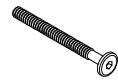


Hex - Head bolts  
Ø1/4" \* 35 - 4pcs



# STEP 8

1



Hex - Head bolts  
Ø1/4" \* 60 - 4pcs

4



Hexagonal bolts catch wood  
Ø6 \* 50 - 2pcs

6

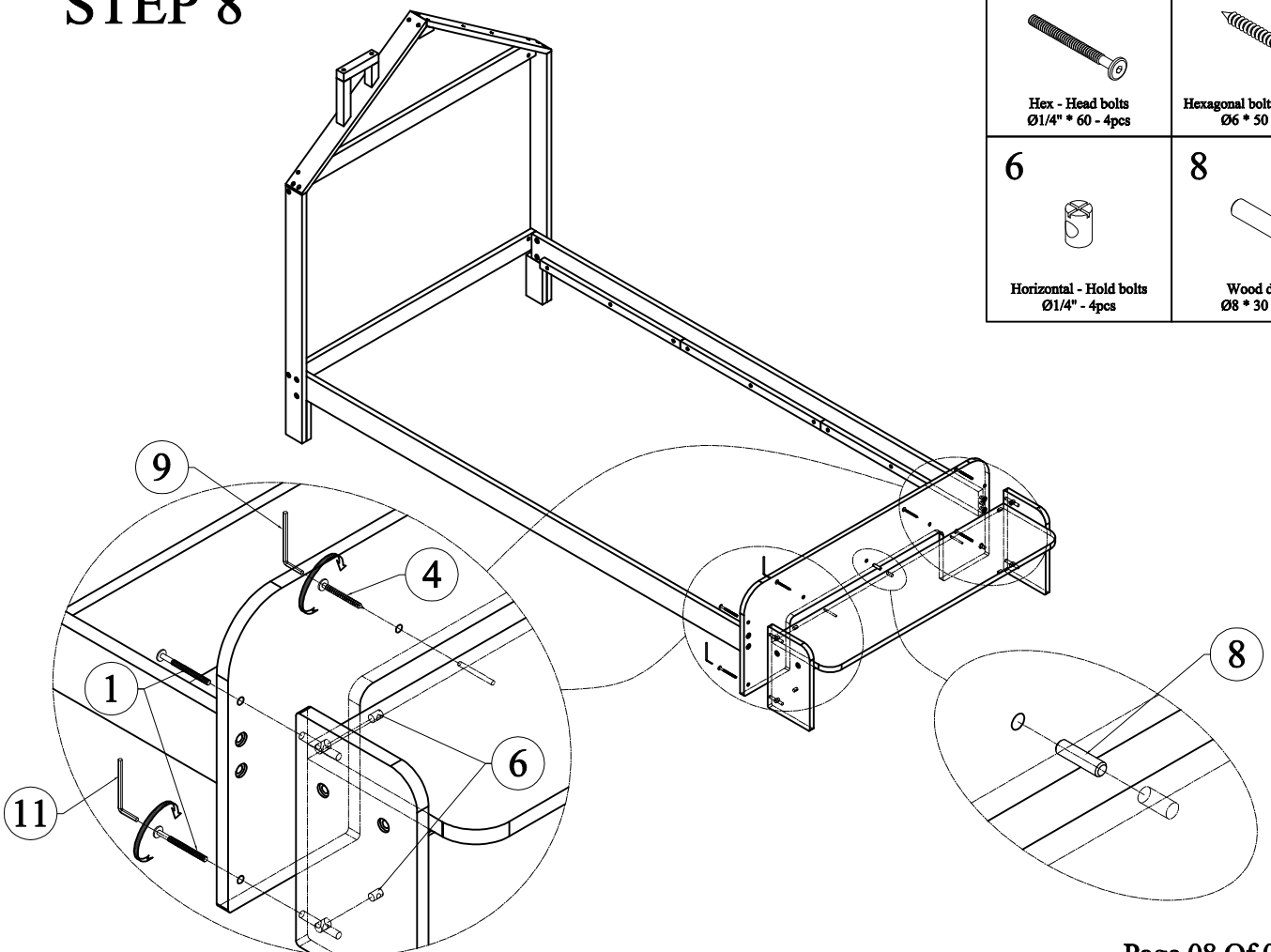


Horizontal - Hold bolts  
Ø1/4" - 4pcs

8



Wood dowel  
Ø8 \* 30 - 1pcs





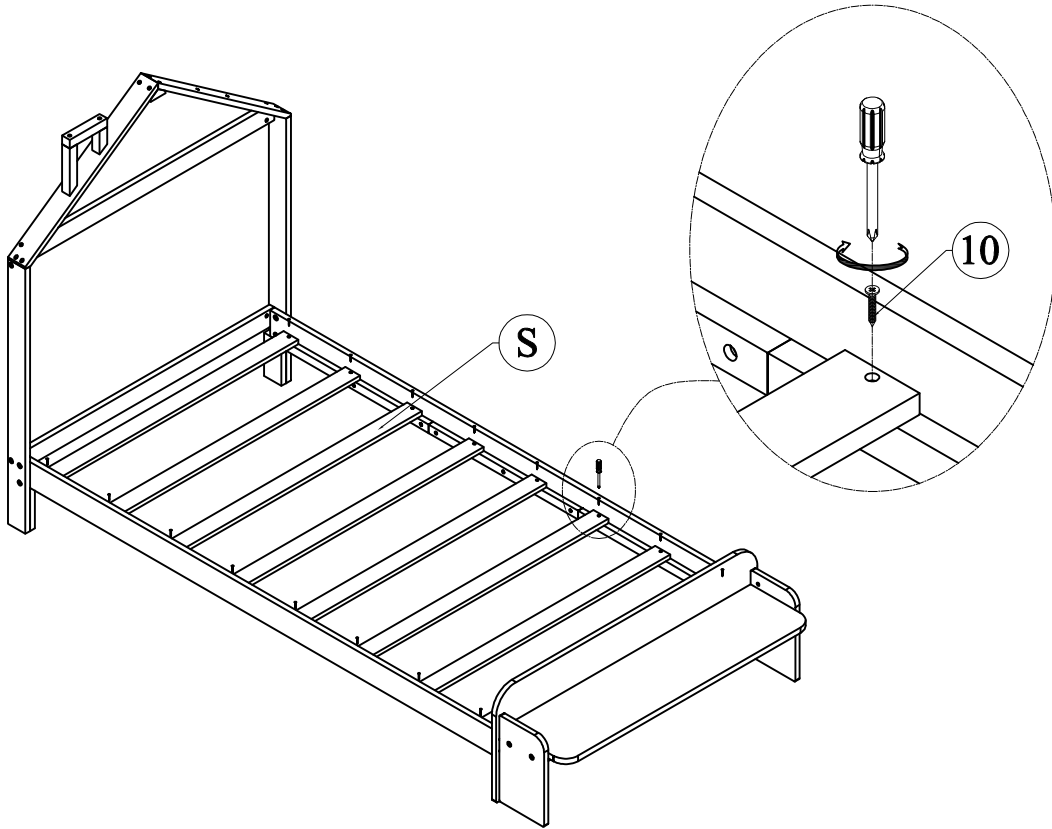
# STEP 9

The distance between the slats is 7-1/2 inch

10

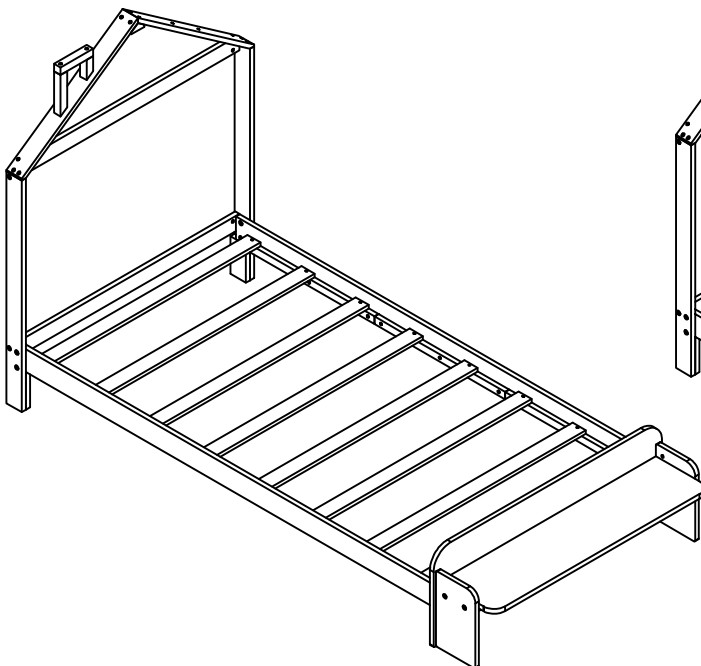


Wood screws  
M4 \* 25 - 16pcs



## COMPLETED

OPTION 1



OPTION 2

