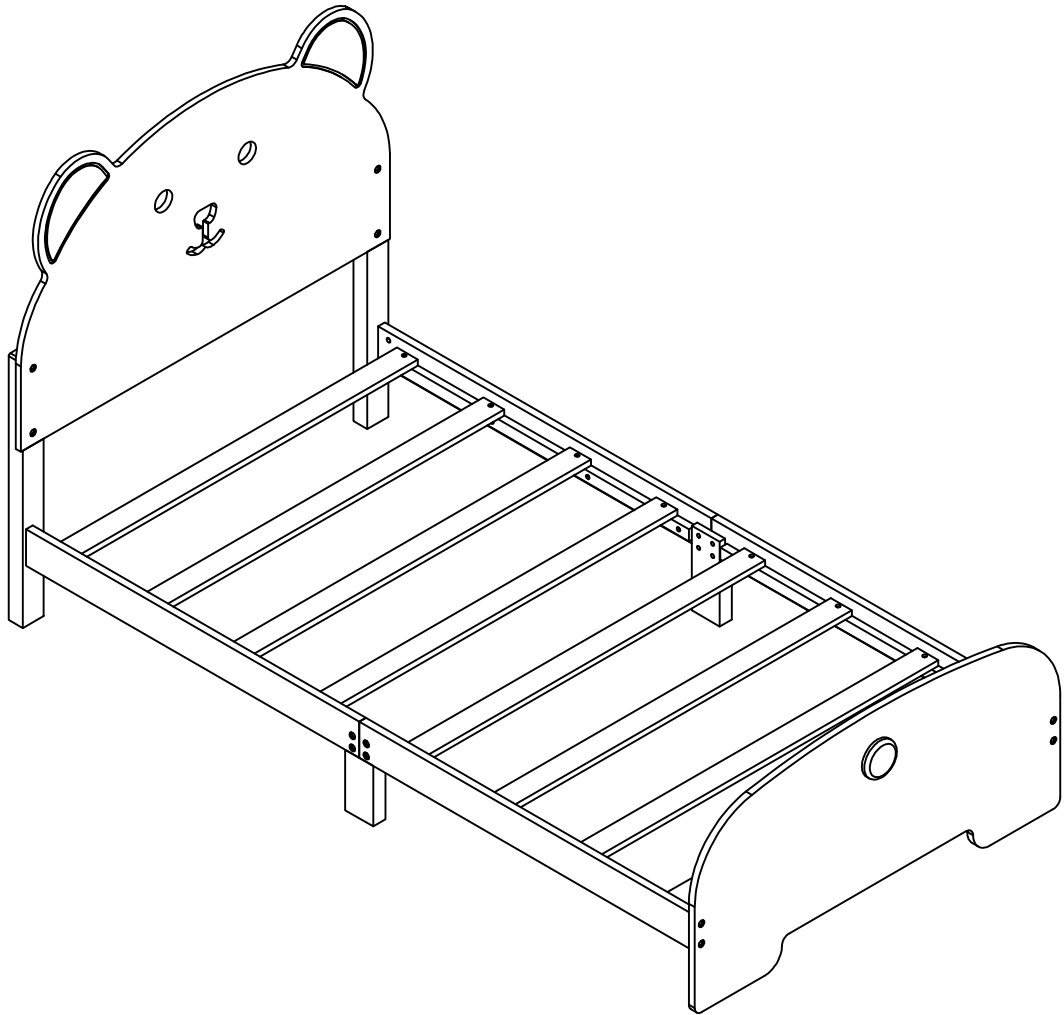
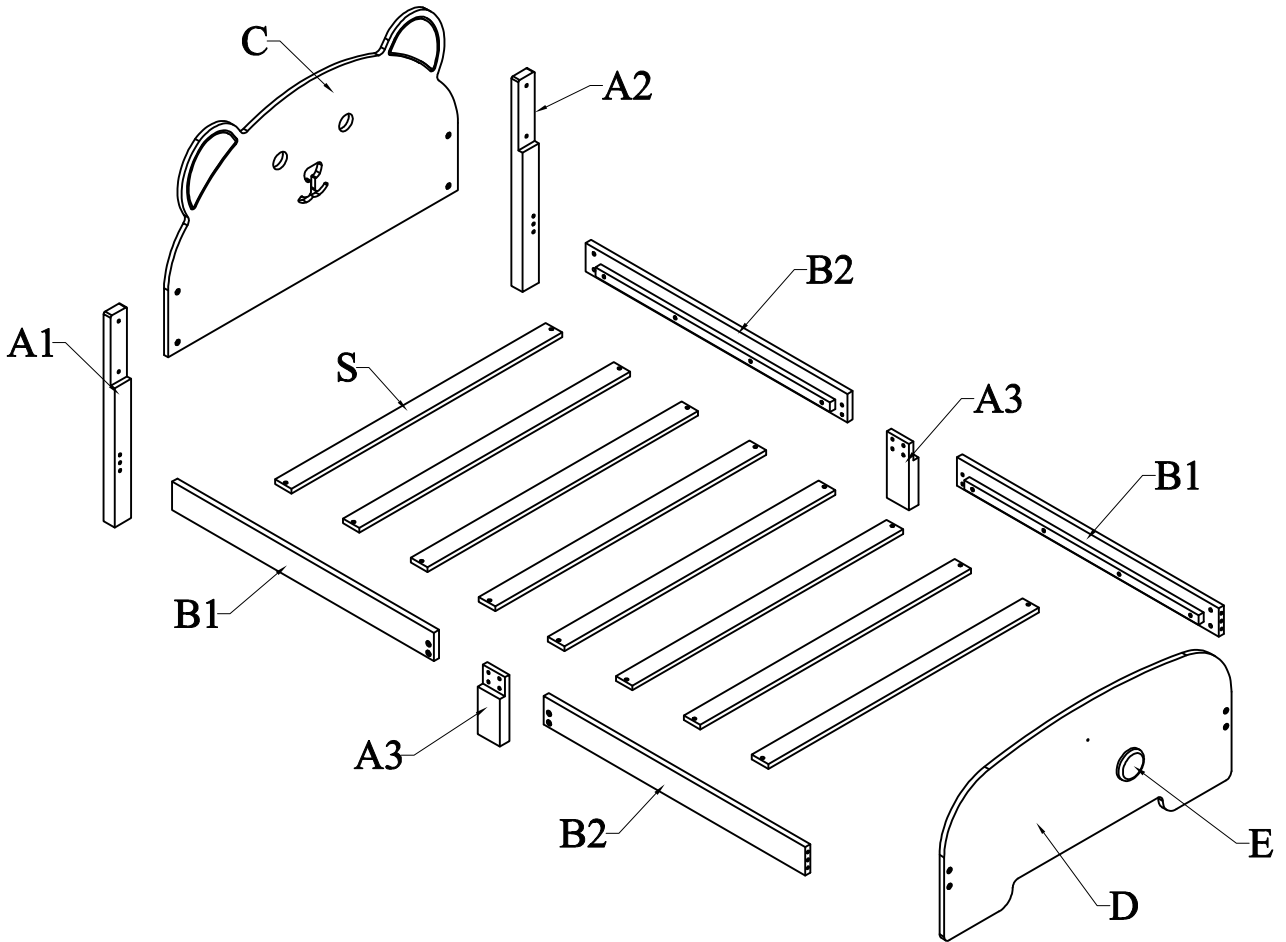


# ASSEMBLY INSTRUCTIONS

ITEM CODE: WF307087



# DETAIL VIEW



# BOX: WF307087

A1



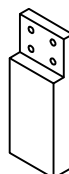
Leg - left (1pc)

A2



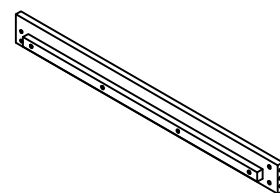
Leg - right (1pc)

A3



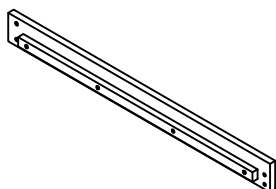
Leg - middle (2pcs)

B1



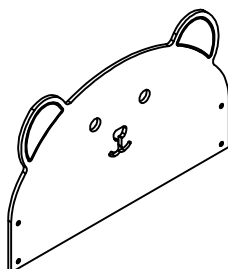
Side rail - left (2pcs)

B2



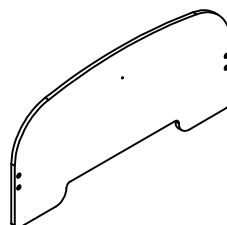
Side rail - right (2pcs)

C



Headboard (1pc)

D



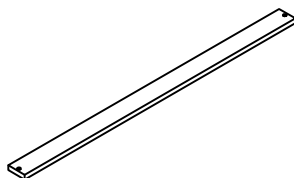
Footboard (1pc)

E



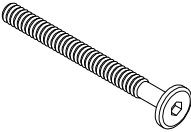
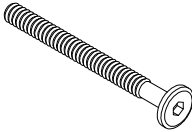
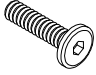
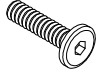

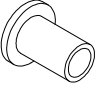
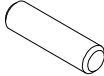
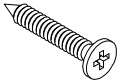
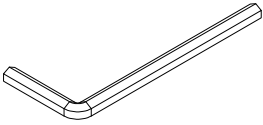
Bear tail (1pc)

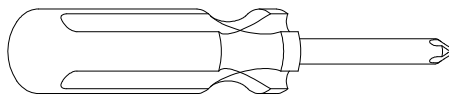
S



Slats (8pcs)

# HARDWARE LIST: WF307087

<p>1</p>  <p>Hex - Head bolts Ø1/4" * 80 - 4pcs</p>	<p>2</p>  <p>Hex - Head bolts Ø1/4" * 60 - 4pcs</p>	<p>3</p>  <p>Hex - Head bolts Ø1/4" * 30 - 4pcs</p>	<p>4</p>  <p>Hex - Head bolts Ø1/4" * 25 - 8pcs</p>
<p>5</p>  <p>Horizontal - Hold bolts Ø1/4" - 8pcs</p>	<p>6</p>  <p>Canopy head though Ø1/4" - 8pcs</p>	<p>7</p>  <p>Wood dowel Ø8 * 30 - 5pcs</p>	<p>8</p>  <p>Wood crews M4 * 25 - 17pcs</p>
<p>9</p>  <p>Allen key K4 - 2pc</p>			



**Assembly Tools Required (Not Included)**

# STEP 1

4



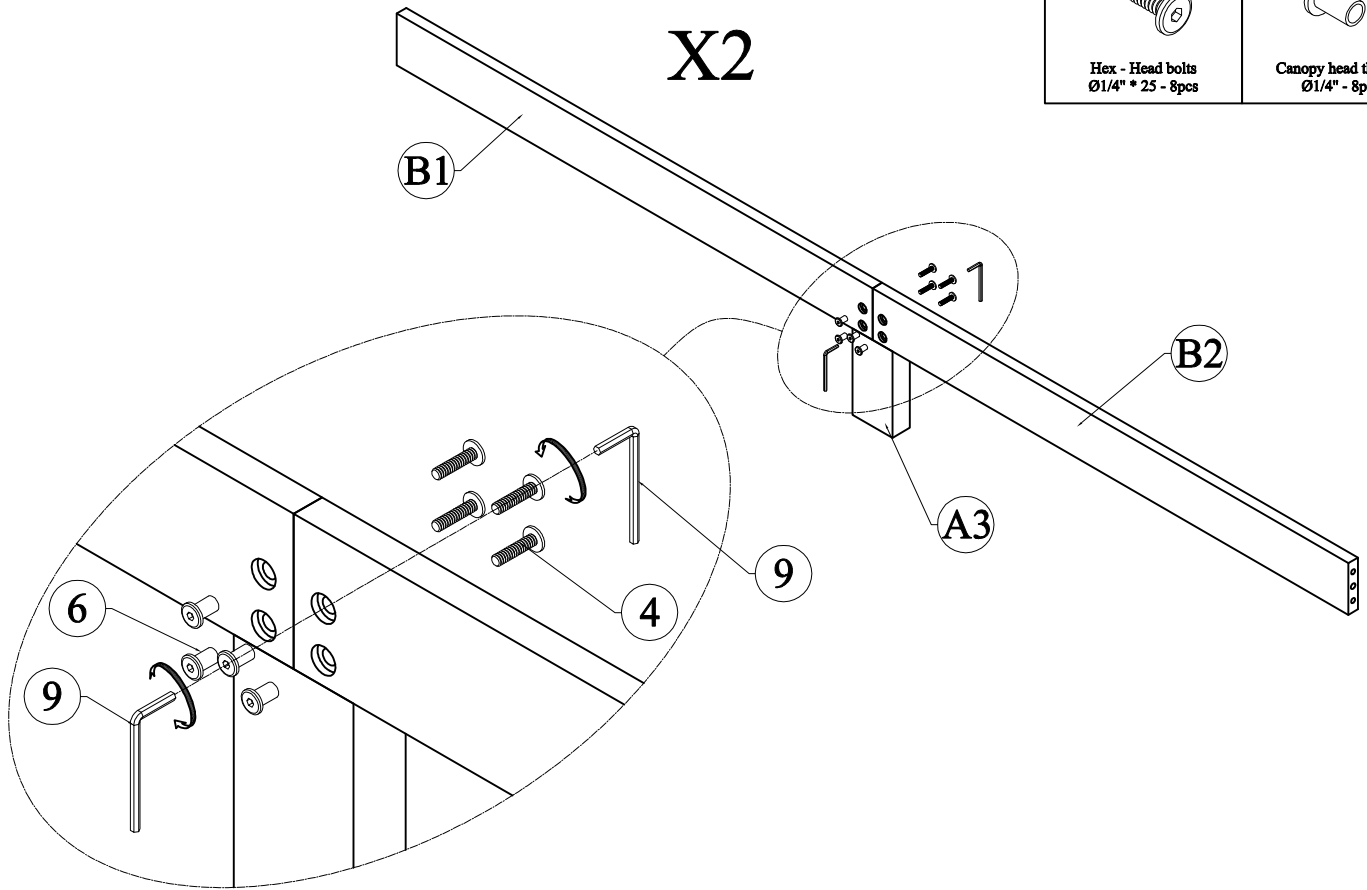
Hex - Head bolts  
Ø1/4" \* 25 - 8pcs

6



Canopy head through  
Ø1/4" - 8pcs

X2

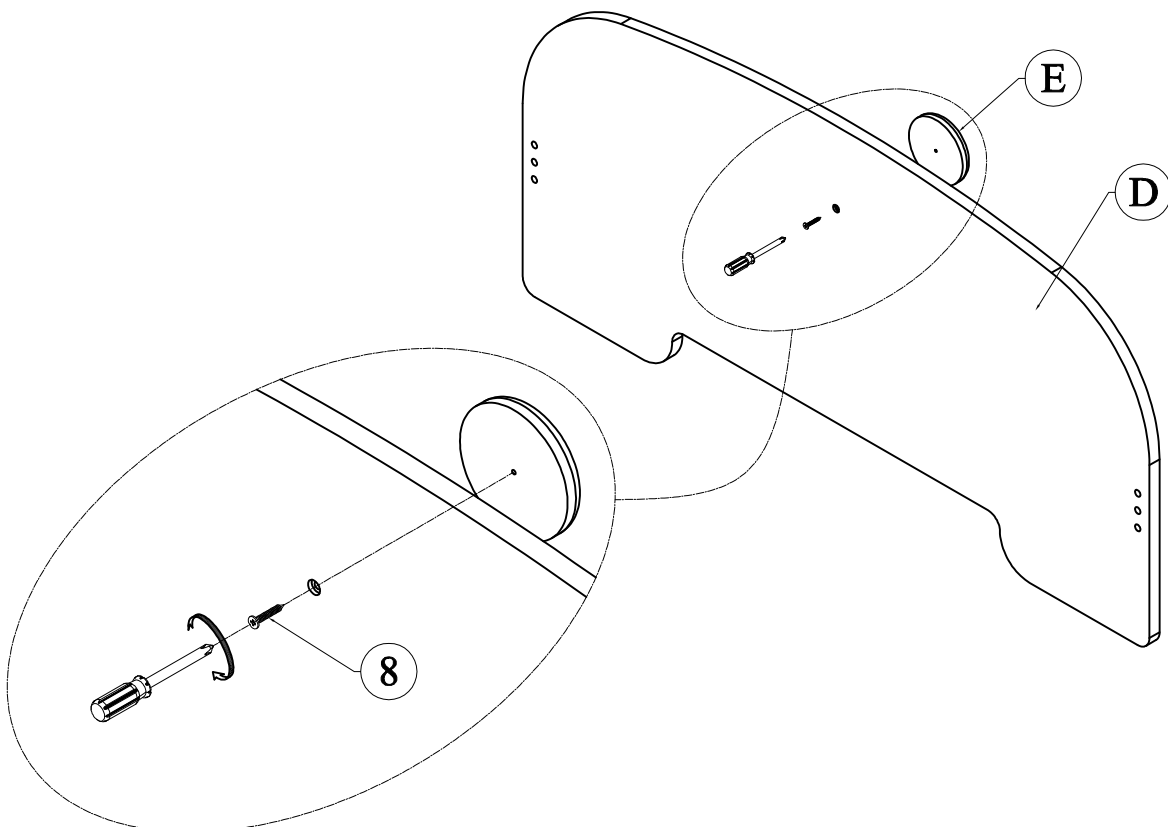


# STEP 2

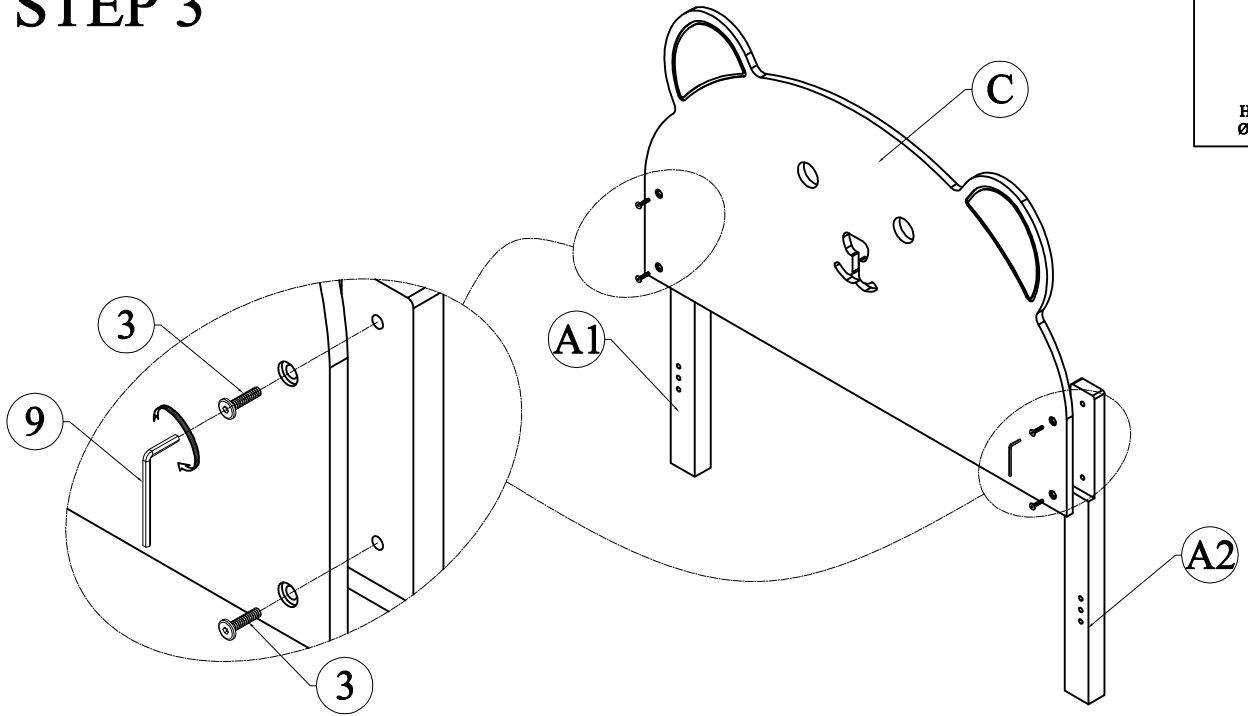
8



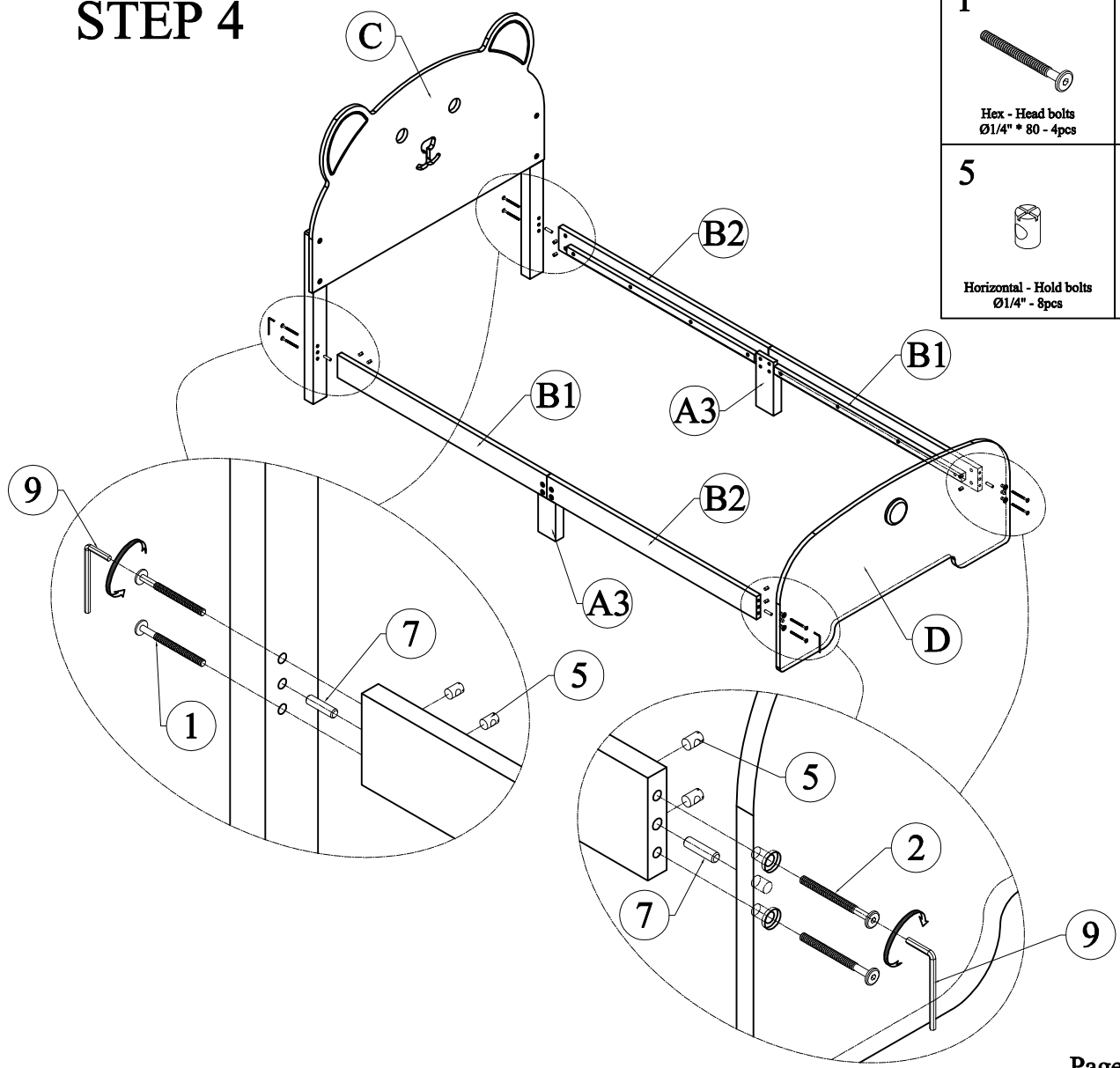
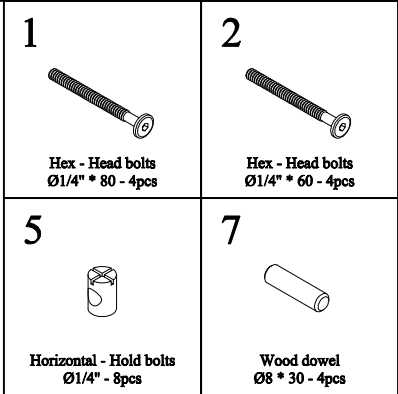
Wood crews  
M4 \* 25 - 1pc



# STEP 3



# STEP 4



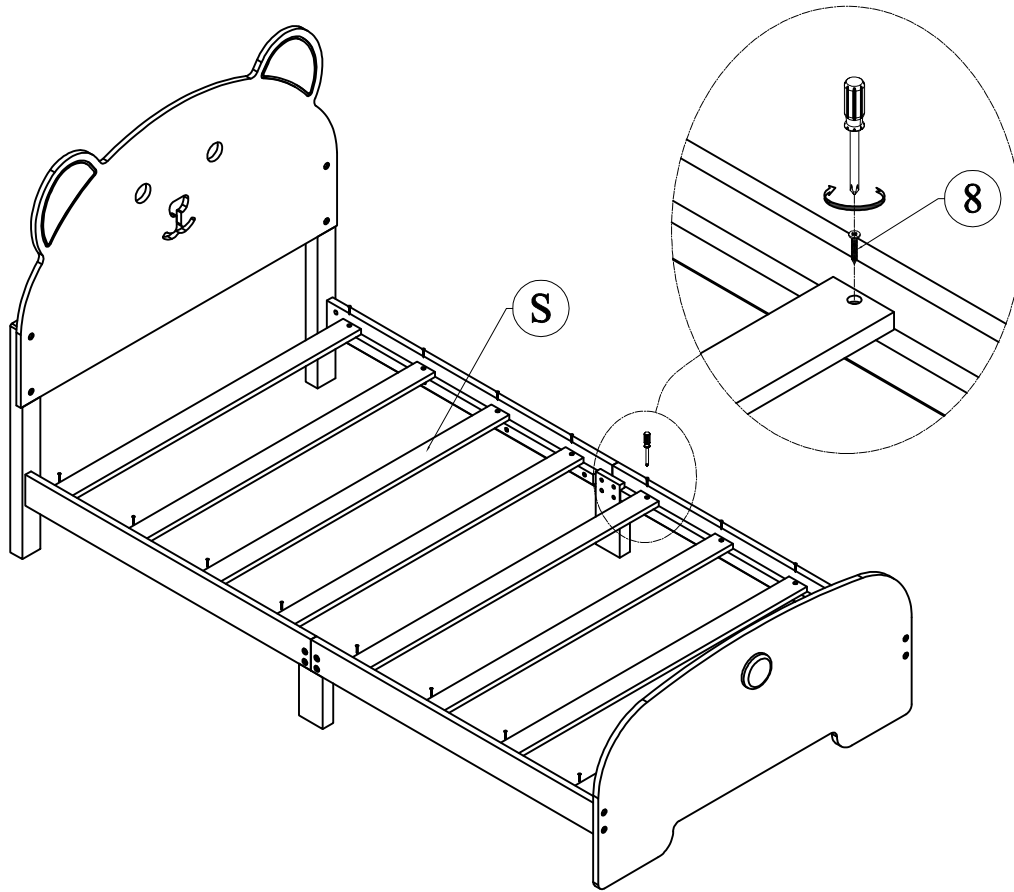
# STEP 5

The distance between the slats is 7-1/2 inch

8



Wood screws  
M4 \* 25 - 16pcs



## COMPLETED

