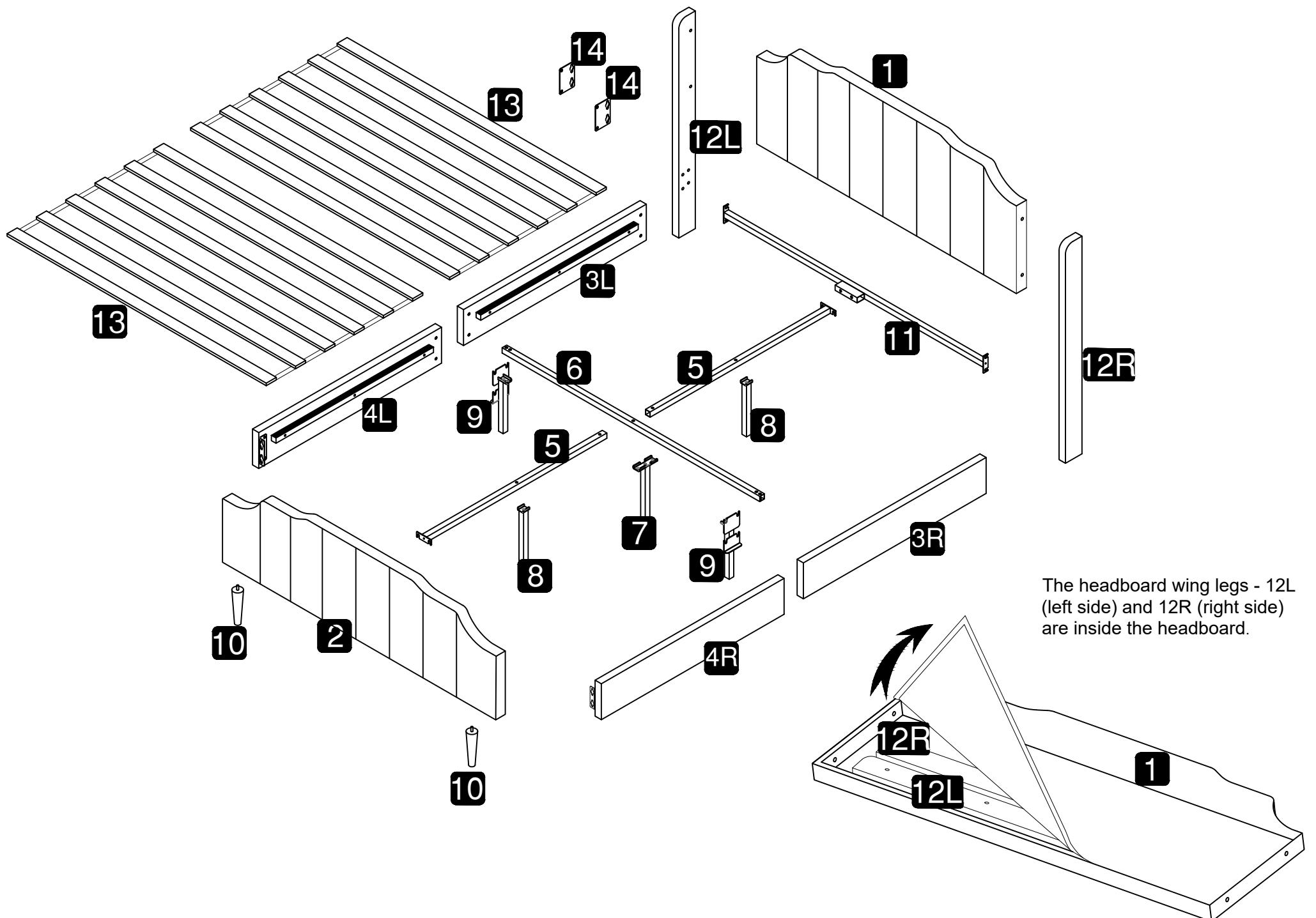


ASSEMBLY INSTRUCTION

WF305781

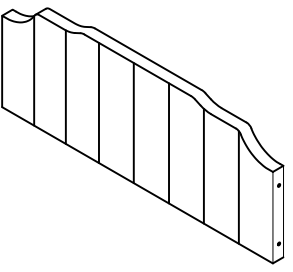
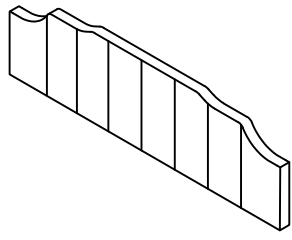
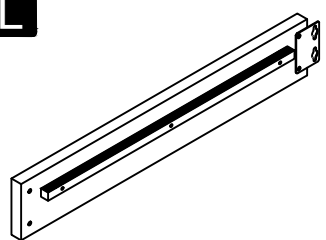
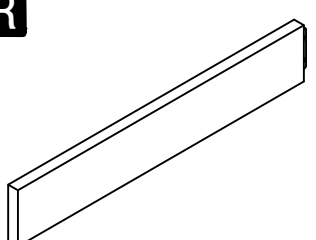
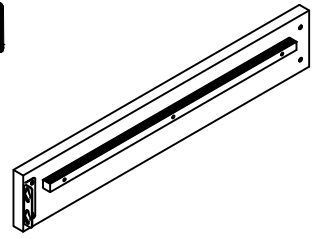
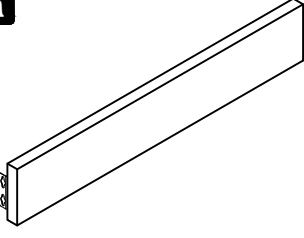
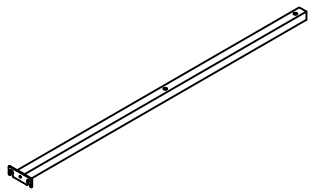
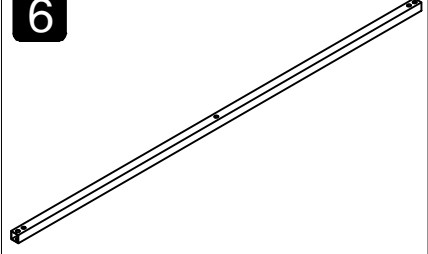
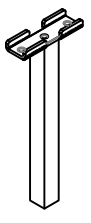

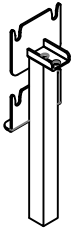

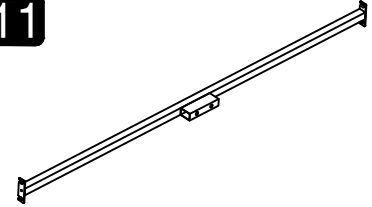
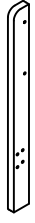

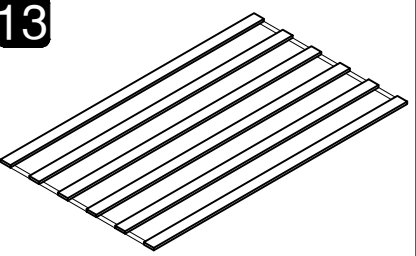
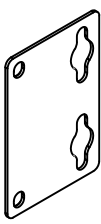
TIPS

1. Please read the instructions fully before assembly. These instructions include important information which could ensure correct assembly. We have been working on providing high quality products for you. However, in the rare instance that your product is defective, missing parts or there are some issues, please don't hesitate to contact our customer service to submit parts requirements, assembly suggestion, or warranty claims, and we will give the best solution as soon as possible. If necessary, we need you to provide some more clear pictures of the issue.
2. Insert the screws in holes and tighten the screws, but not too tight, 70%~80% is ok, finally tighten all the screws. If some issues happened that some screws can not target to the hole or some parts are difficult to install, please adjust the tightness of the screws.
3. 2 people are recommended to finish

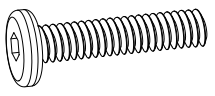
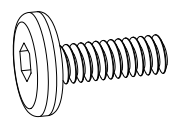
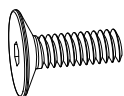
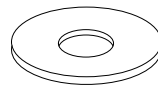
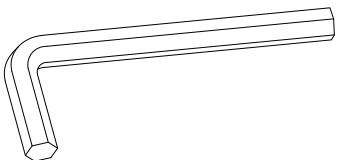


The headboard wing legs - 12L (left side) and 12R (right side) are inside the headboard.

Part List WF305781AAA/AAE


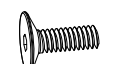
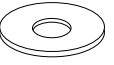

1  Headboard X1	2  Footboard X1	3L  Side Rails (LH) X1	3R  Side Rails (RH) X1	4L  Side Rails (LH) X1
4R  Side Rails (RH) X1	5  Center support bar X2	6  Cross bar X1	7  Connected support leg X1	8  Middle support leg X2
9  Side rails support legs X2	10  Legs X2	11  Head board cross bar X1	12L  Headboard wing leg (LH) X1	12R  Headboard wing leg (RH) X1
13  Slats X2	14  Connecting iron sheet X2			

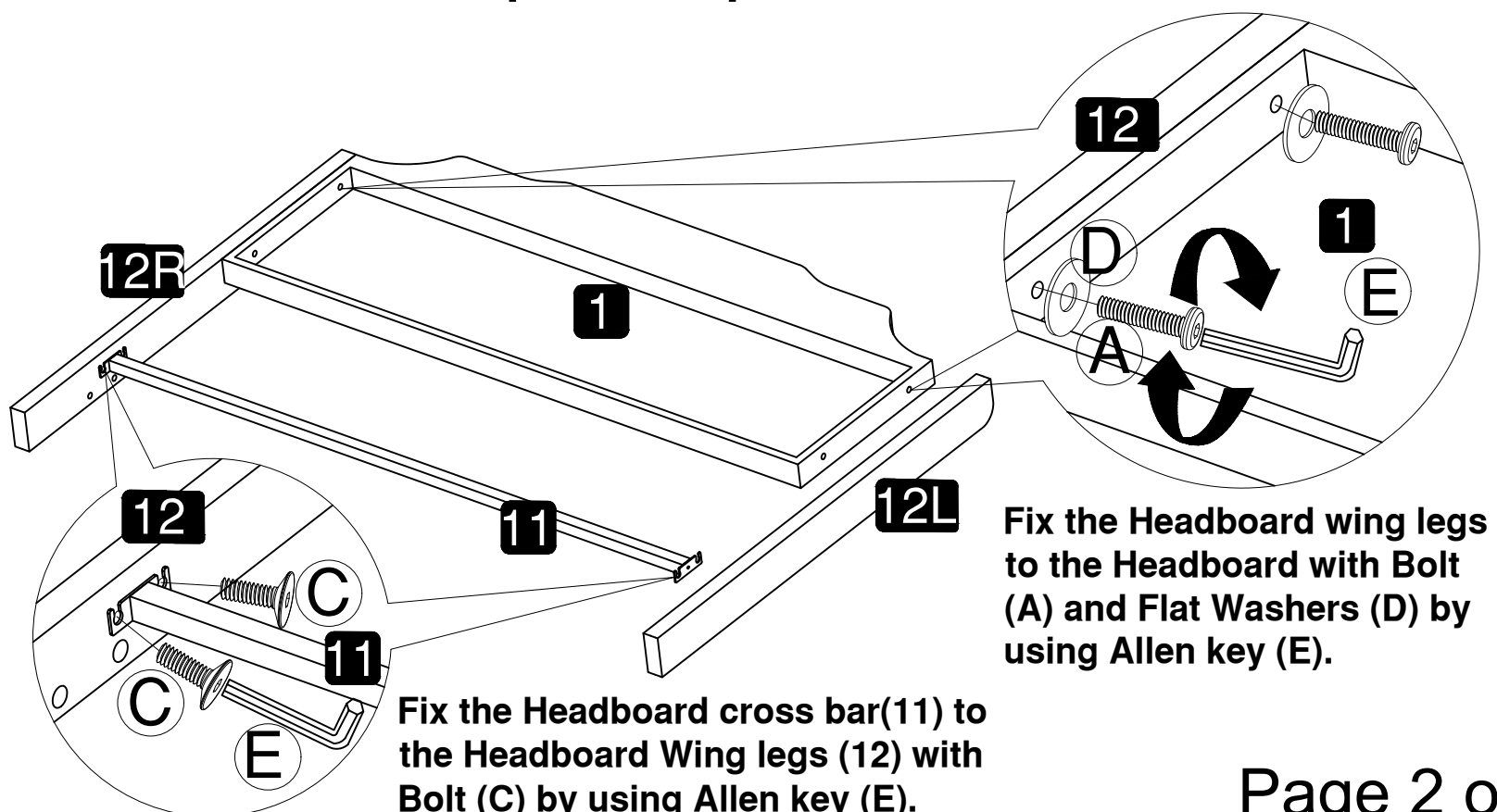
Hardware List WF305781AAA/AAE

A  Bolts(M8x35mm) X13	B  Bolts(M8x16mm) X20	C  Bolts(M8x18mm) X8	D  Flat Washer X13	E  Allen Key X1
---	---	---	--	---

Attention: Do not tighten the screws before completing the entire installation. If you have any difficulty with the installation process, please feel free to contact us.

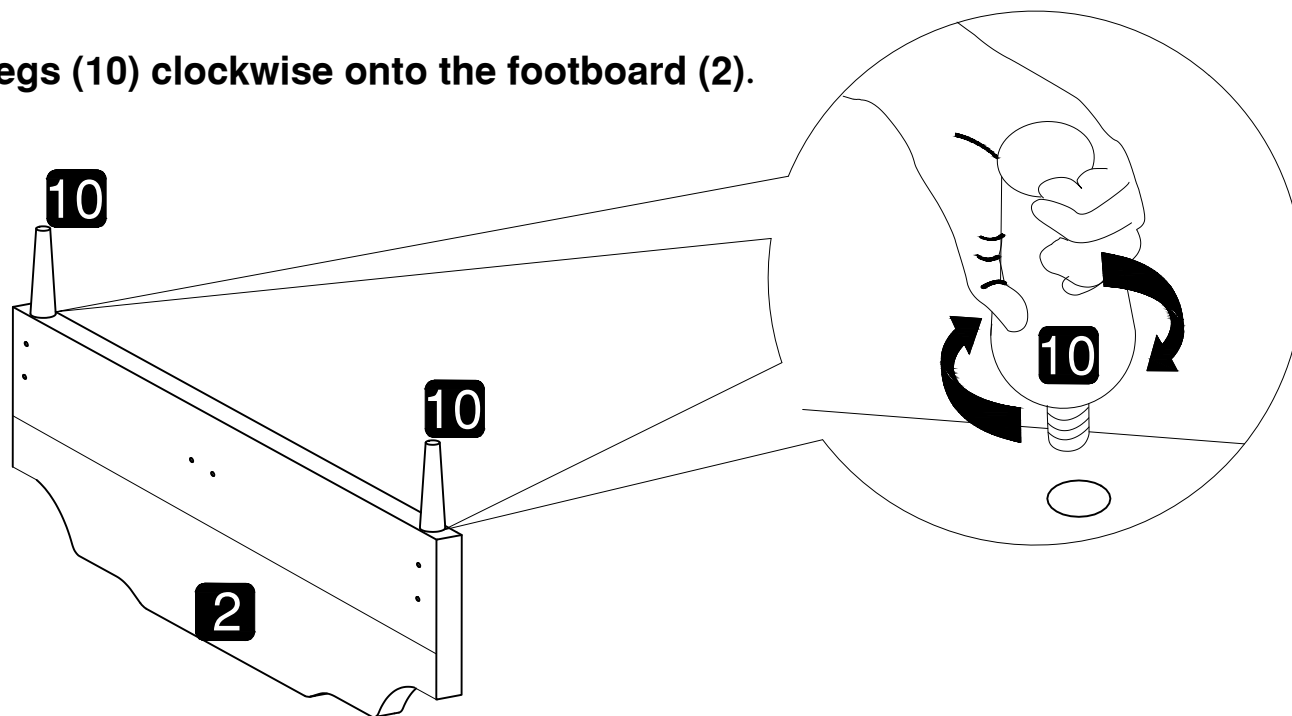
Step 1

- A**  x4
- C**  x4
- D**  x4
- E**  x1

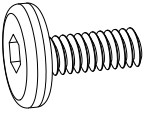


Step 2

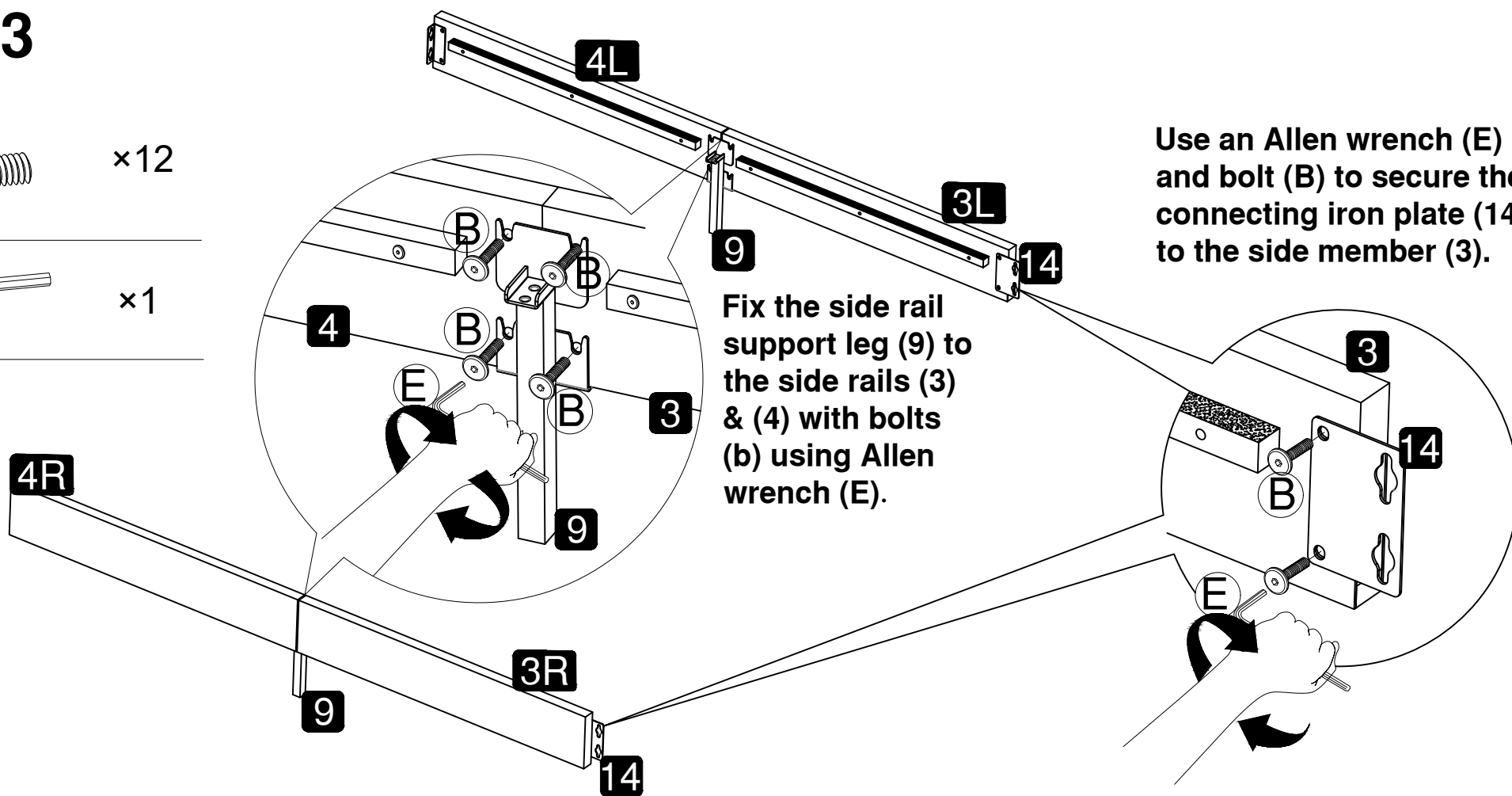
Screw the legs (10) clockwise onto the footboard (2).



Step 3

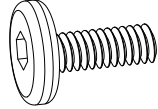
B  ×12

E  ×1



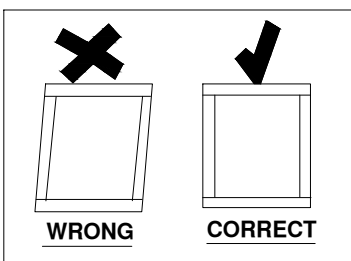
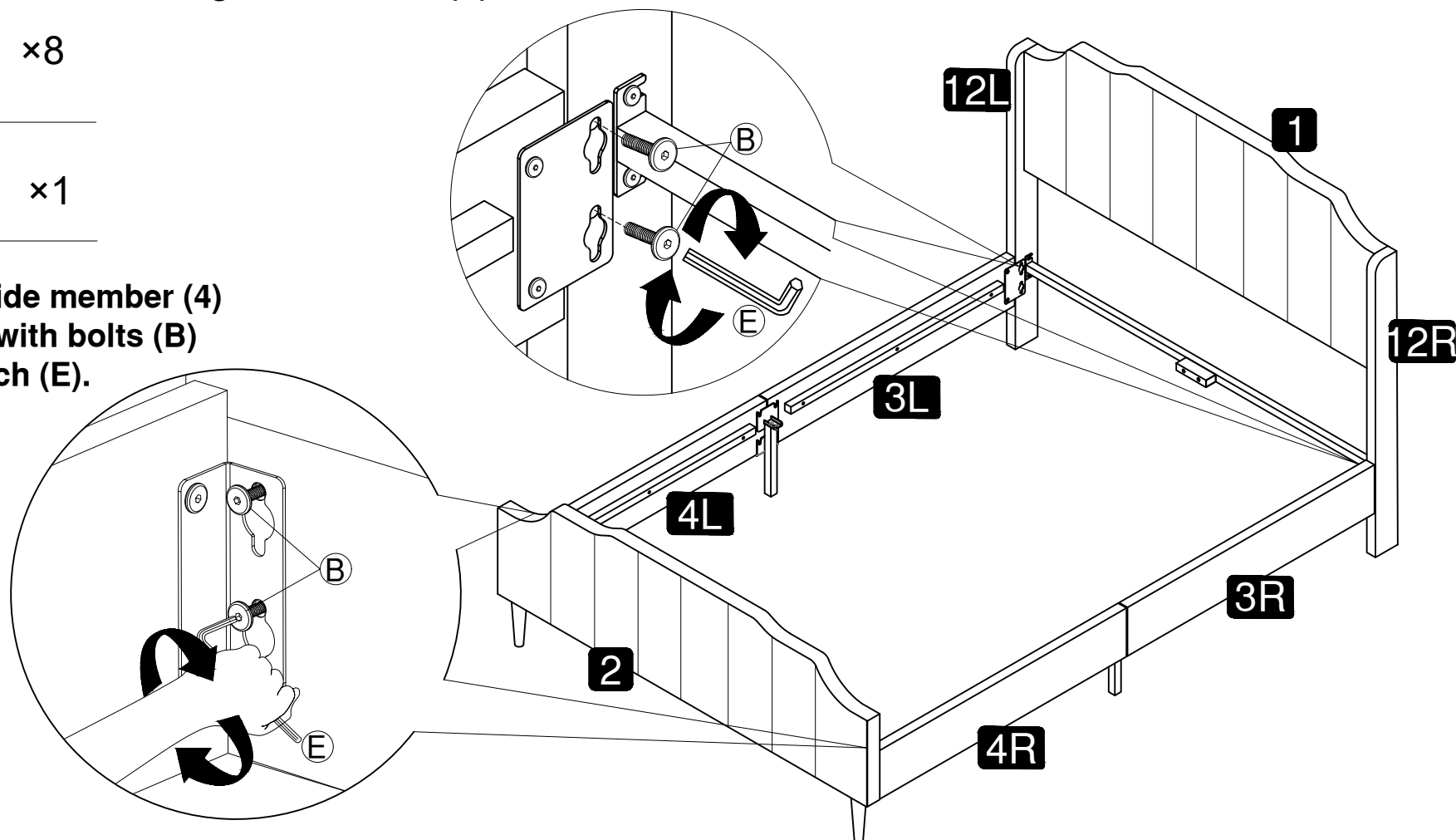
Step 4

Fix the assembled side beam (3) to the wing leg (12) of headboard with bolts (B) using Allen wrench (E).

B  ×8

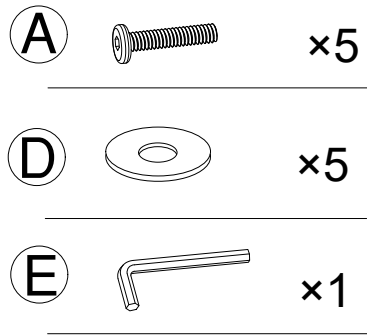
E  ×1

Fix the assembled side member (4) to the footboard (2) with bolts (B) using an Allen wrench (E).

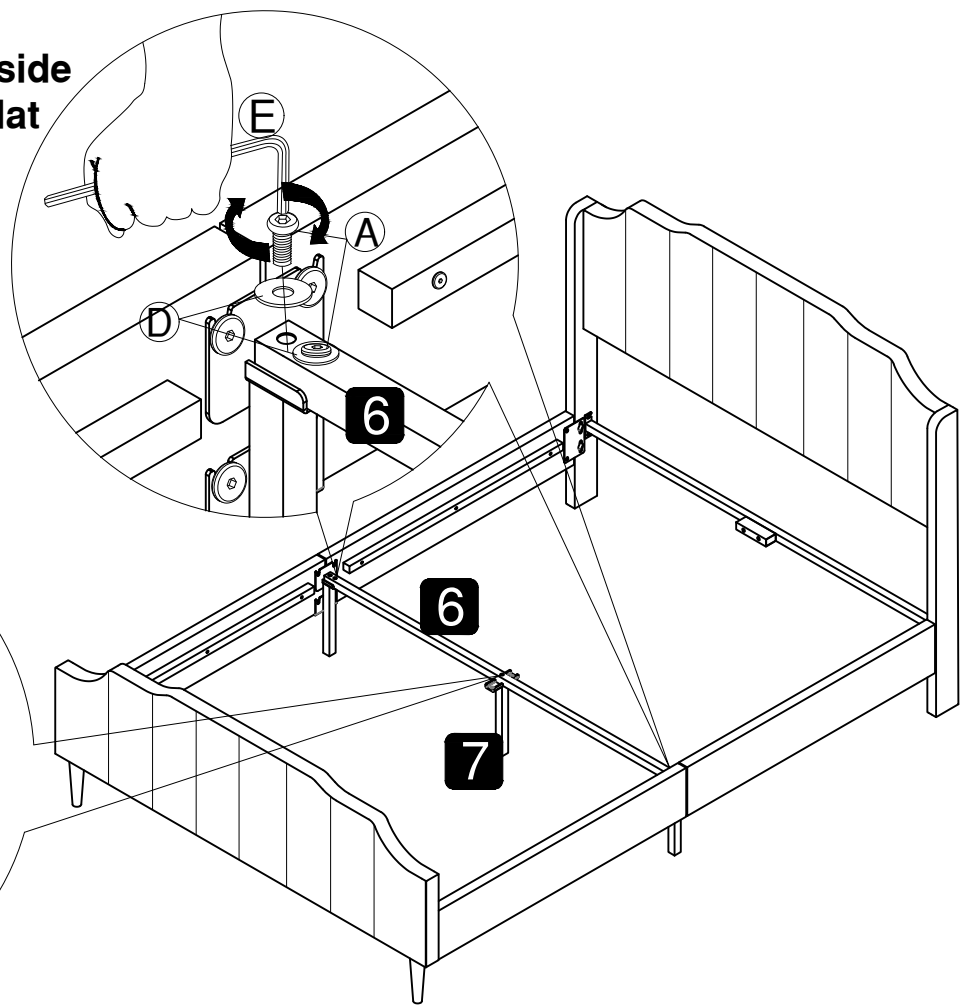
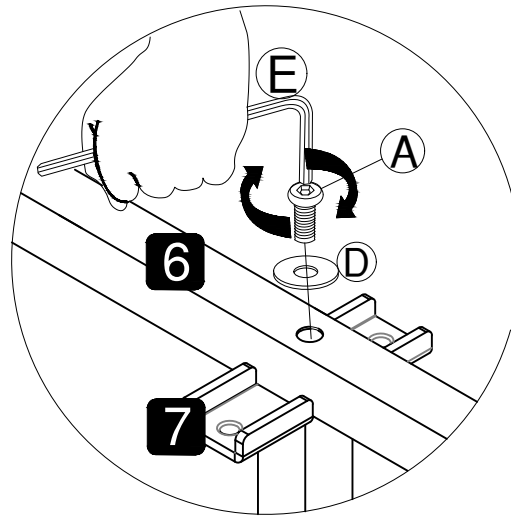


Step 5

Fix the Cross bar (6) to the side rail leg (9) with bolts (A) & flat washers (D) using an Allen wrench (E).

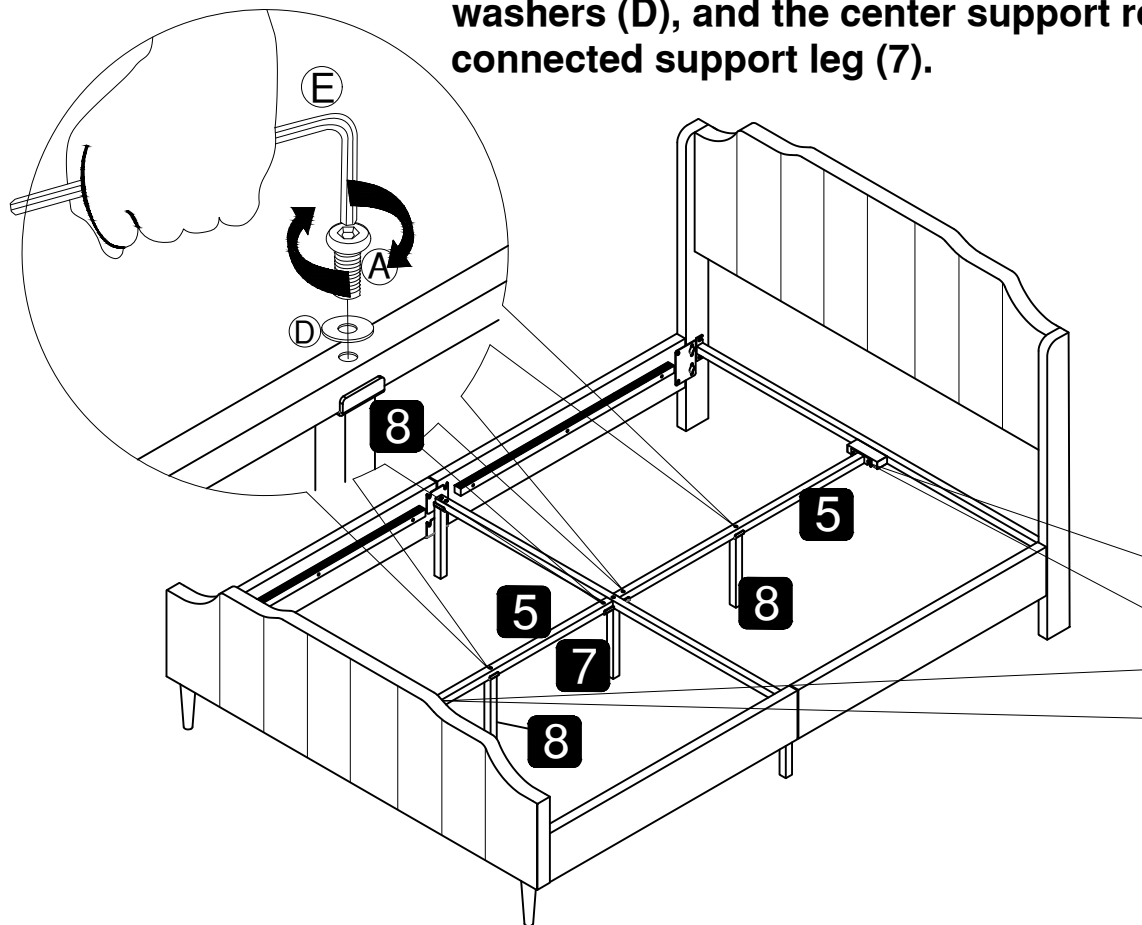
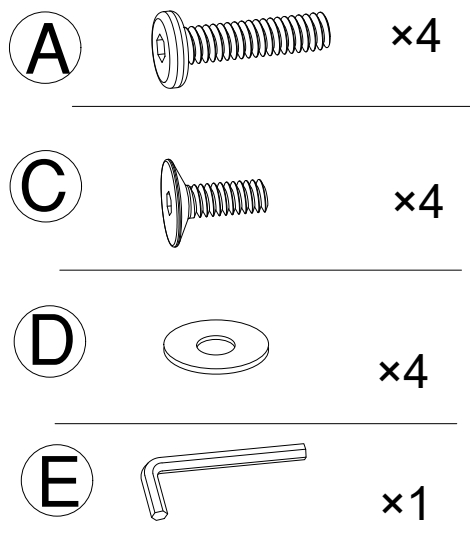


Fix the Connected support leg (7) to the Cross bar (6) with bolts (A) & flat washers (D) using an Allen wrench (E).

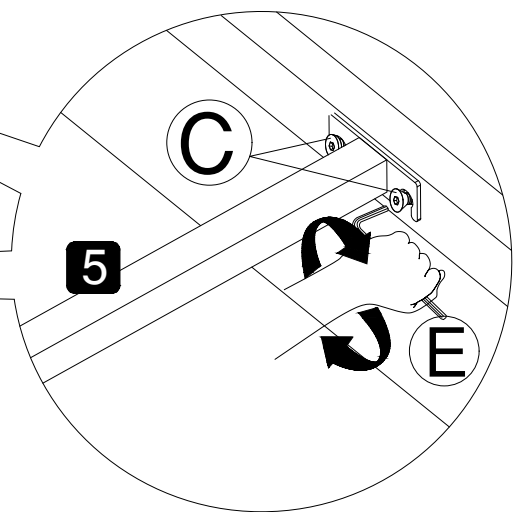


Step 6

Use an Allen wrench (E) to fix the intermediate support leg (8) to the center support rod (5) with bolts (A) and flat washers (D), and the center support rod (5) to the connected support leg (7).



Fix the center support rod (5) to the head board cross bar (11) and the footboard with bolts (C) using an Allen wrench (E).



Step 7

Paste slats (13) onto side rails.

