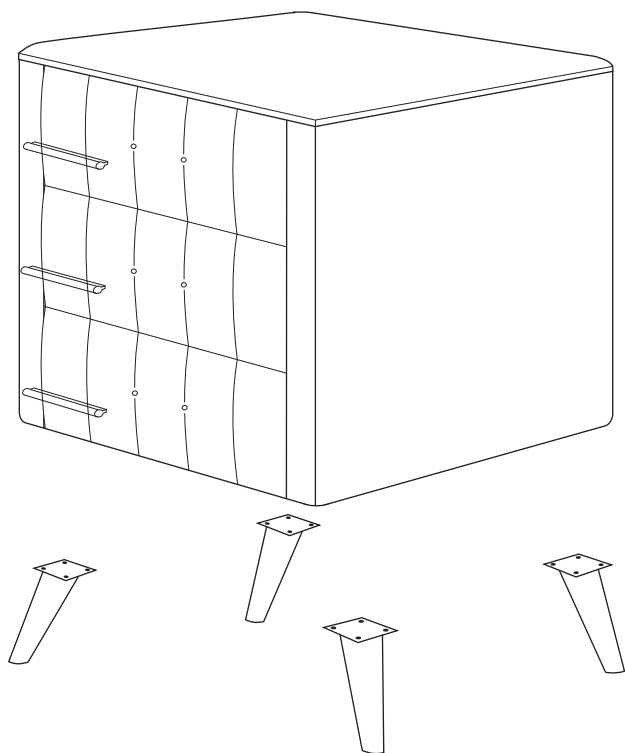


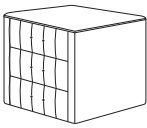
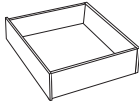


# ASSEMBLY INSTRUCTION

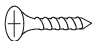


SKU CODE : WF 303285



Detail View - NIGHT STAND



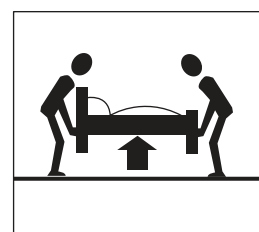
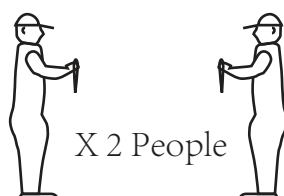
<b>NO</b>	<b>PART LIST</b>	<b>QTY</b>
A	Night Stand 	1 pc
B	Drawer 	3 pcs
C	Leg 	4 pcs
D	Handle 	3 pcs

<b>NO</b>	<b>HARDWARE LIST</b>	<b>QTY</b>
1	CSK M4 x 16MM 	12 pcs
2	HANDLE SCREW M4 	6 pcs
3	WASHER M4 	6 pcs

Read this instruction carefully. Remove all wrapping material, staples and straps from the carton. See hardware and furniture part list for guidance. Be sure you have all wooden furniture parts on a clean and flat surface, such as carpet or rug, to prevent from being scratched.

**CAUTION :**

1. Do not Full Tighten the nut or screw until all ready to assemble.
2. Do not Over Tighten the nut or screw to avoid causing damages to the thread.
3. Keep all hardware part out reach of children.

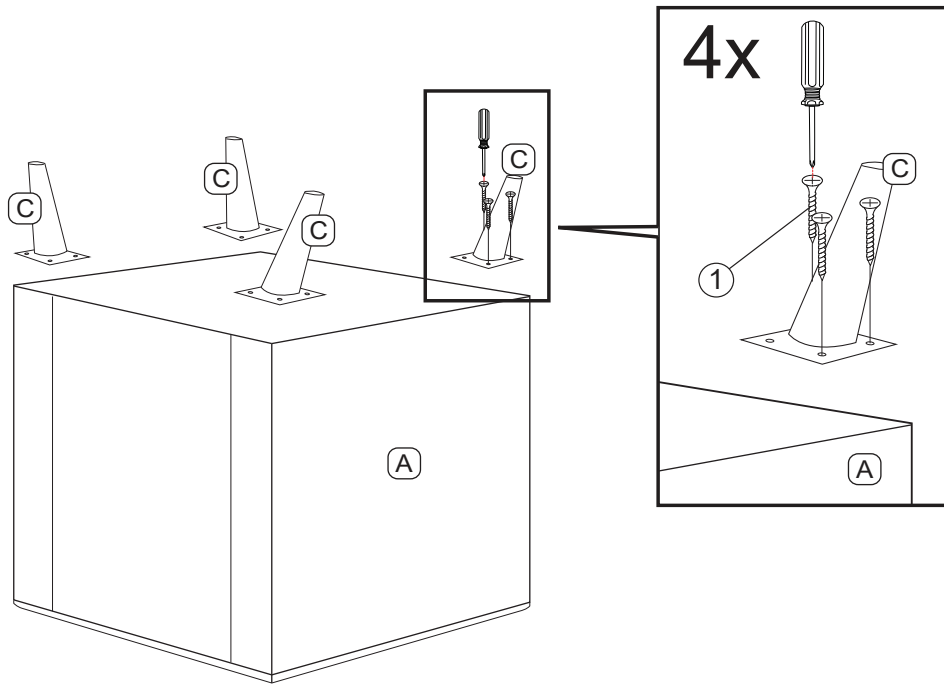


STEP 1

1

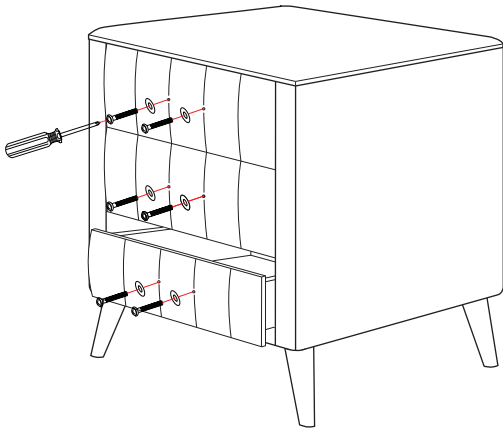


12 pcs



STEP 2

Remove hardware 2 & 3



STEP 3

2

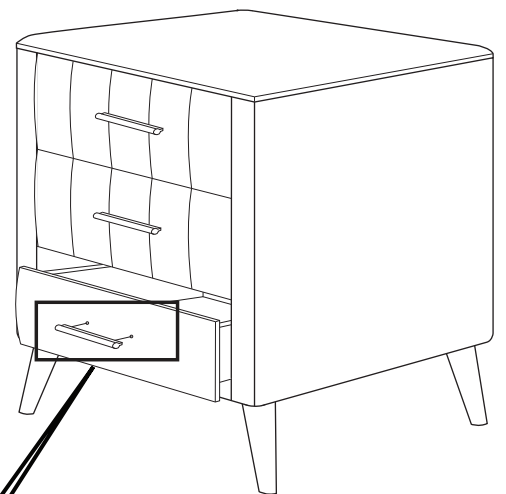


6 pcs

3



6 pcs



COMPLETED ASSEMBLY

