













ASSEMBLY INSTRUCTIONS

ITEM NO.:
NIGHT STAND

Thank you for purchasing this quality product. Place all wooden parts on a clean and smooth surface such as a rug or carpet to avoid the parts from being scratched. Be sure to check all packing materials carefully for small parts may have come loose inside the carton during shipment, clarify and count all parts and compare with the parts list below. Do not tighten all screws / bolts until all completely assembled.

Hardware List				
No.	Description	Sketch	Size	Q.ty
A	CSK Screw		M4 x 30mm	48pcs
B	CSK Screw		M4 x 12mm	24pcs
C	CSK Screw		M4 x 16mm	18pcs
D	CSK Screw		M4 x 25mm	2pcs
E	CSK Screw		M3.5 x 25mm	16pcs
F	CSK Screw		M4 x 20mm	8pcs

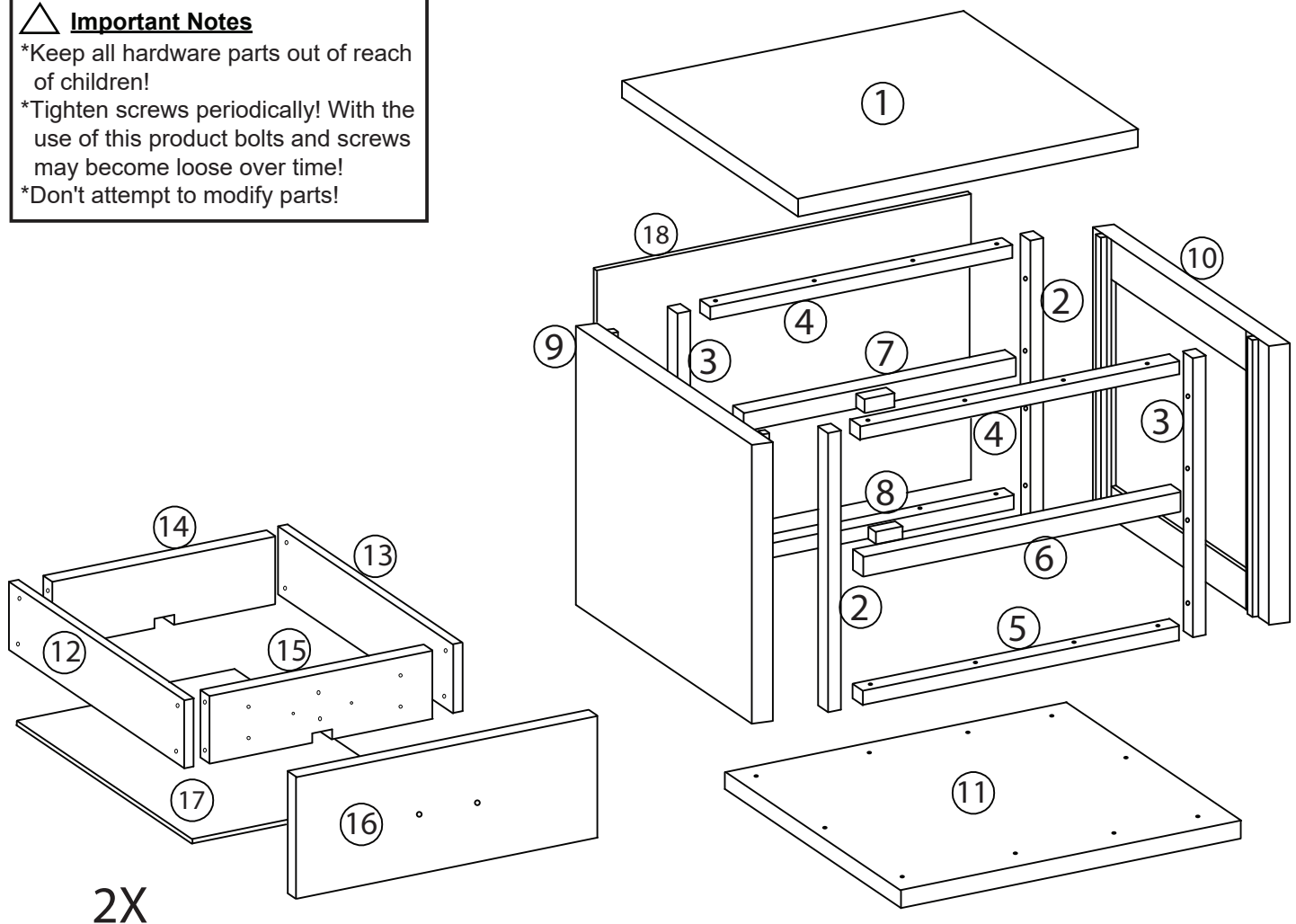
Hardware List				
No.	Description	Sketch	Size	Q.ty
G	CSK Screw Black		M4 x 16mm	16pcs
H	JCBC Handle Screw		M4 x 15mm	4pcs
I	L Bracket			4pcs
J	Handle			2pcs
K	Runner		340/365	2pcs (set)
L	Leg			4pcs

NOTE : YOU WILL ALSO NEED A SCREWDRIVER (NOT PROVIDED)

These parts are cumbersome and heavy. Therefore, two people are recommended in order to prevent personal injury and insure the parts are not damaged during the assembly.

△ Important Notes

- *Keep all hardware parts out of reach of children!
- *Tighten screws periodically! With the use of this product bolts and screws may become loose over time!
- *Don't attempt to modify parts!

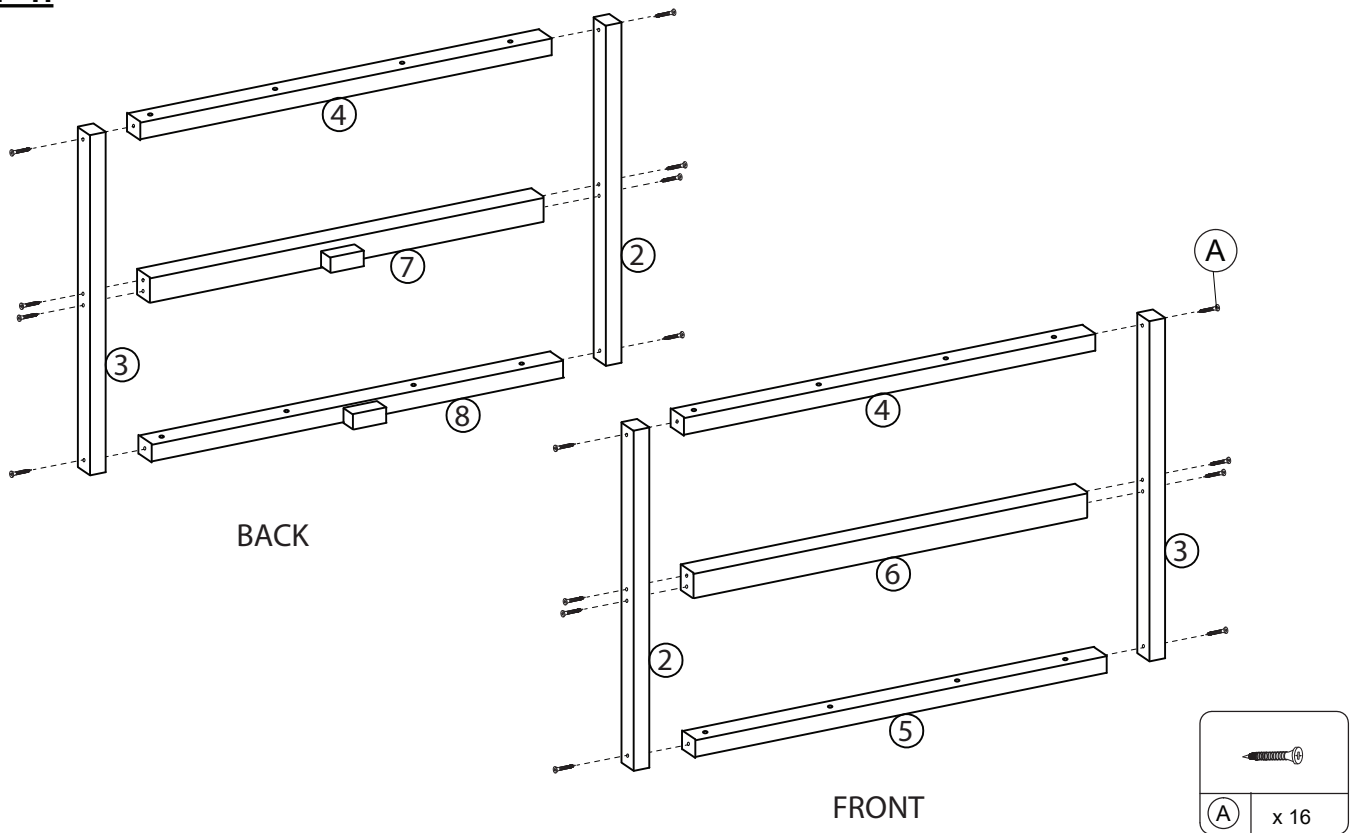


2X

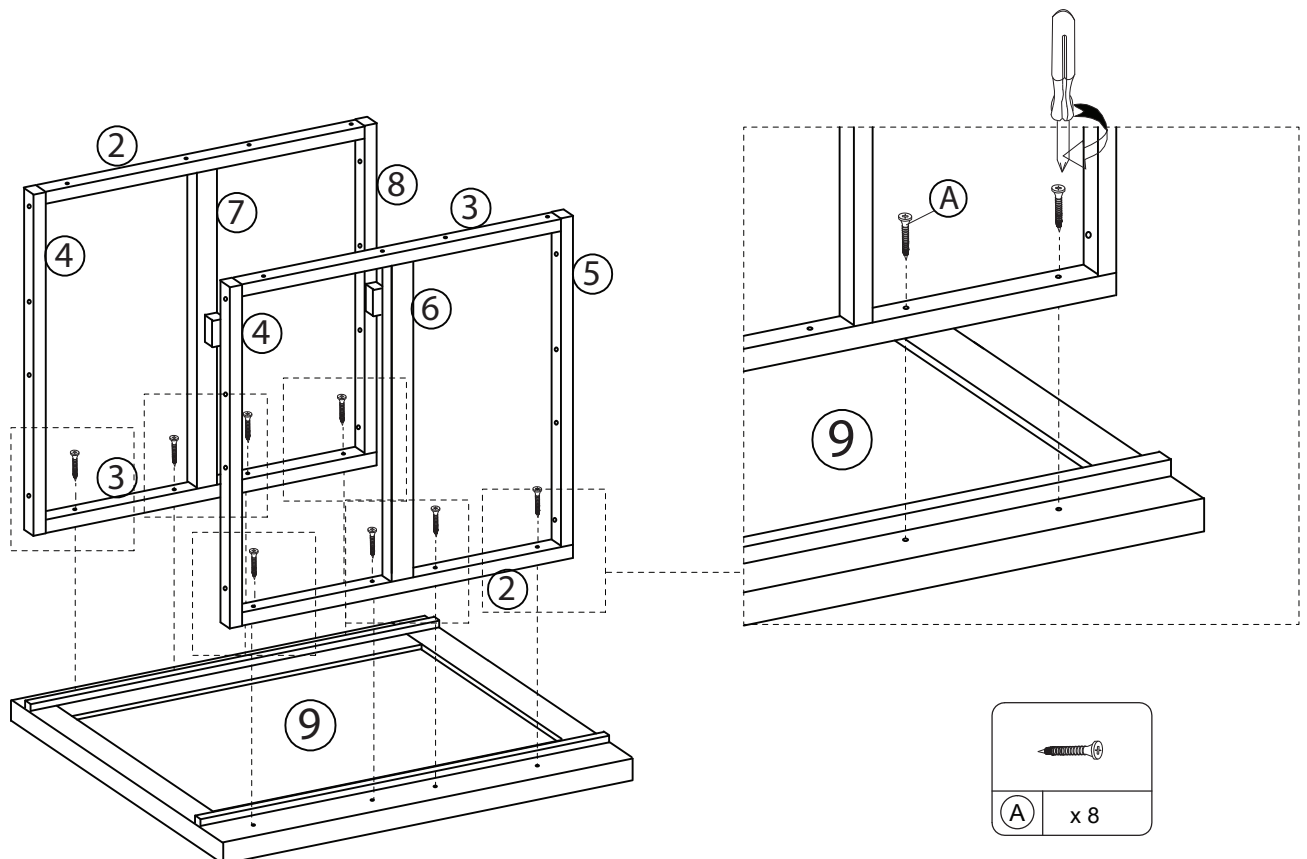
ASSEMBLY INSTRUCTIONS

ITEM NO.:
NIGHT STAND

STEP 1:



STEP 2:



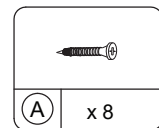
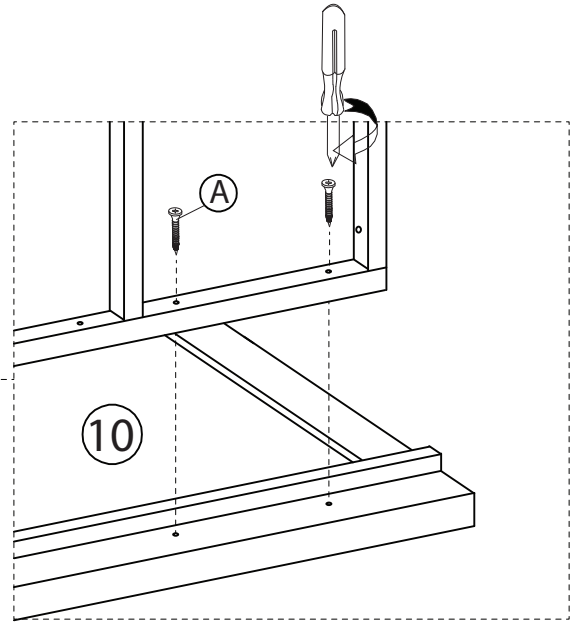
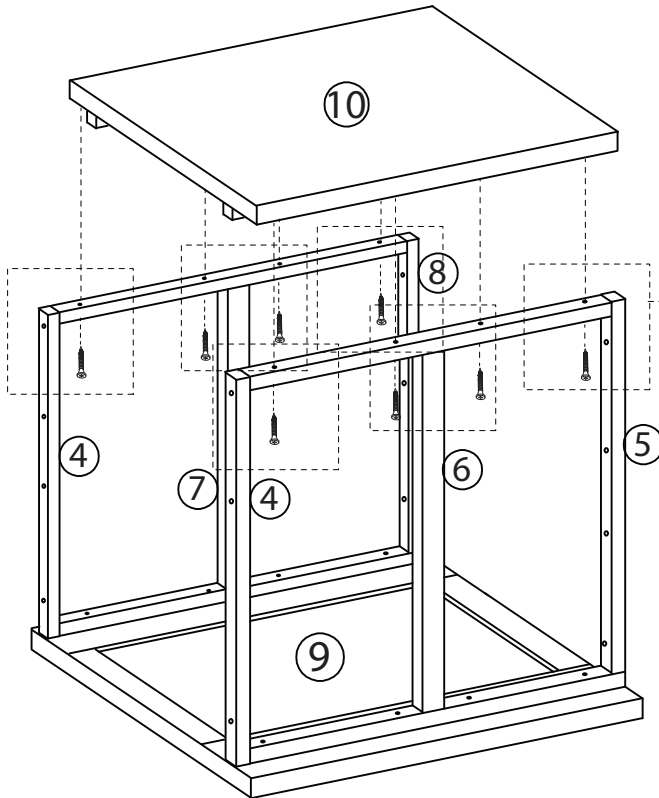
Cleaning instruction: Clean using soft cloth

Made in Malaysia

ASSEMBLY INSTRUCTIONS

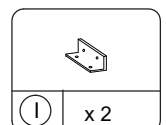
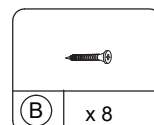
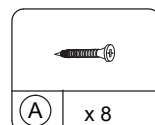
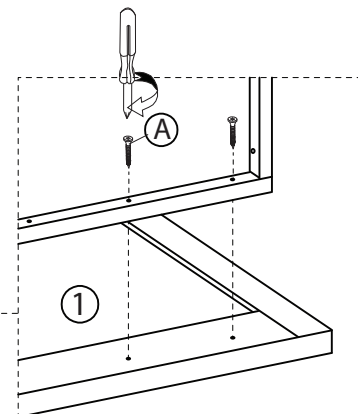
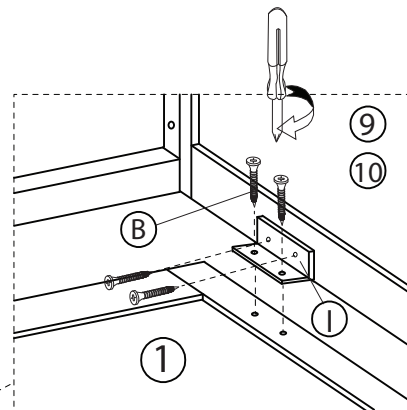
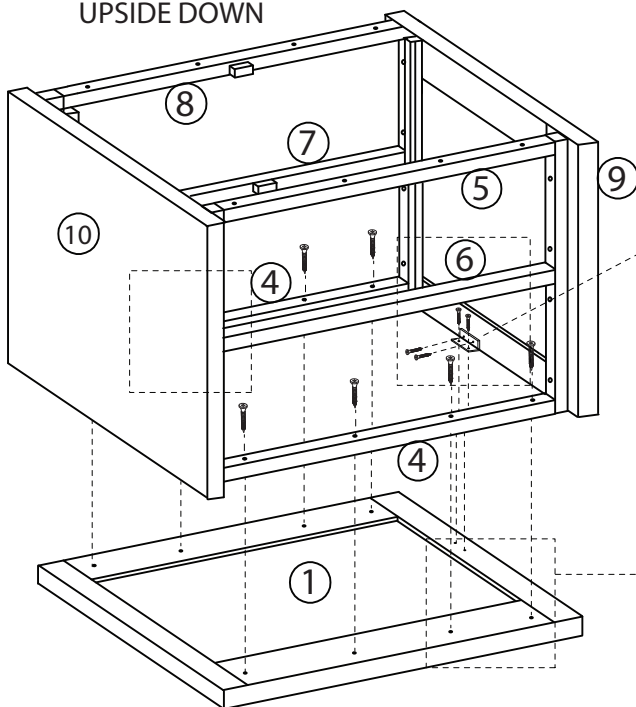
ITEM NO.:
NIGHT STAND

STEP 3:



STEP 4:

UPSIDE DOWN



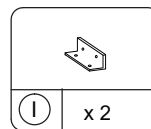
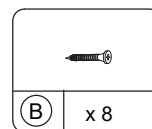
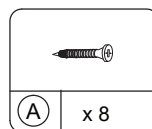
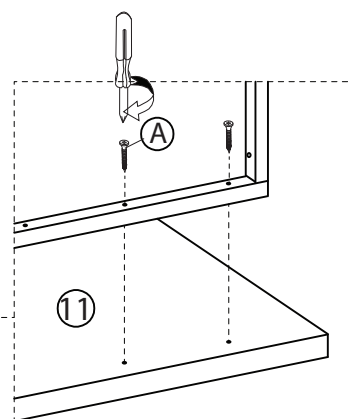
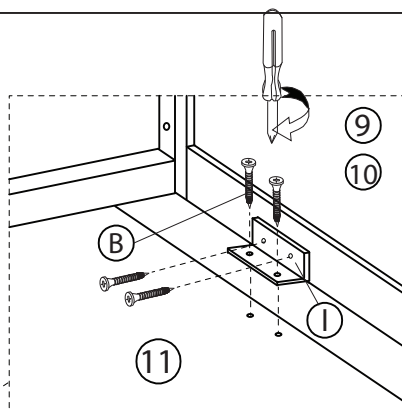
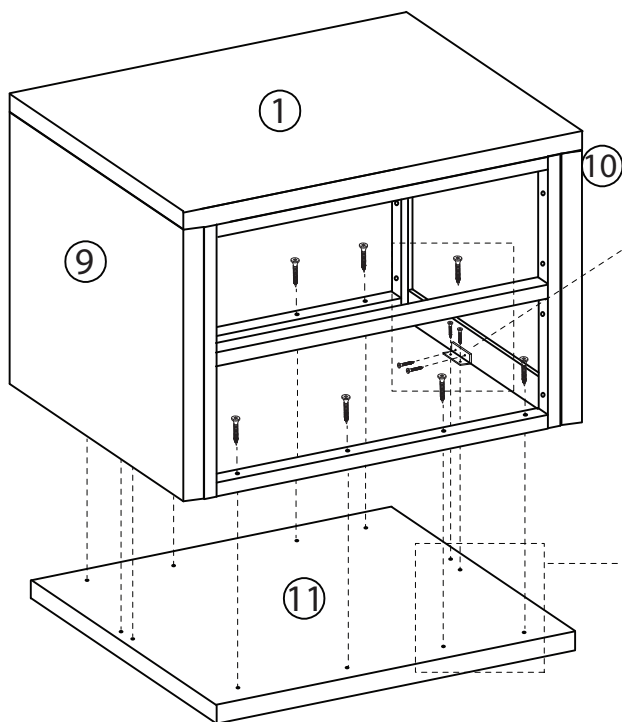
Cleaning instruction: Clean using soft cloth

Made in Malaysia

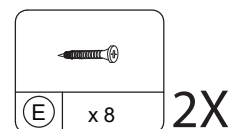
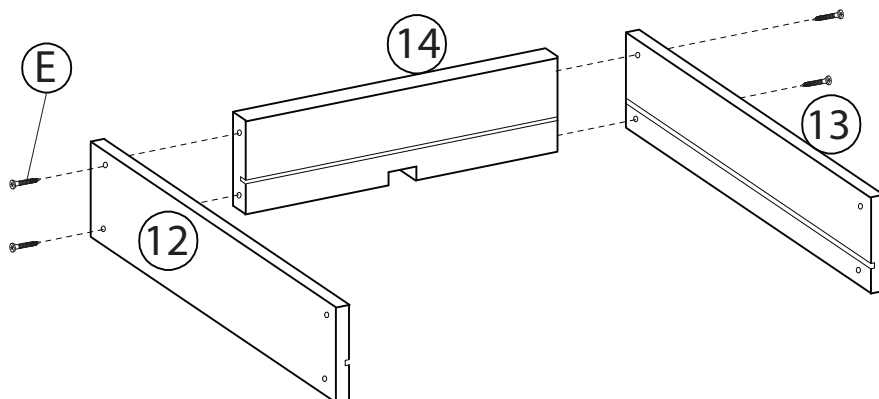
ASSEMBLY INSTRUCTIONS

ITEM NO.:
NIGHT STAND

STEP 5:



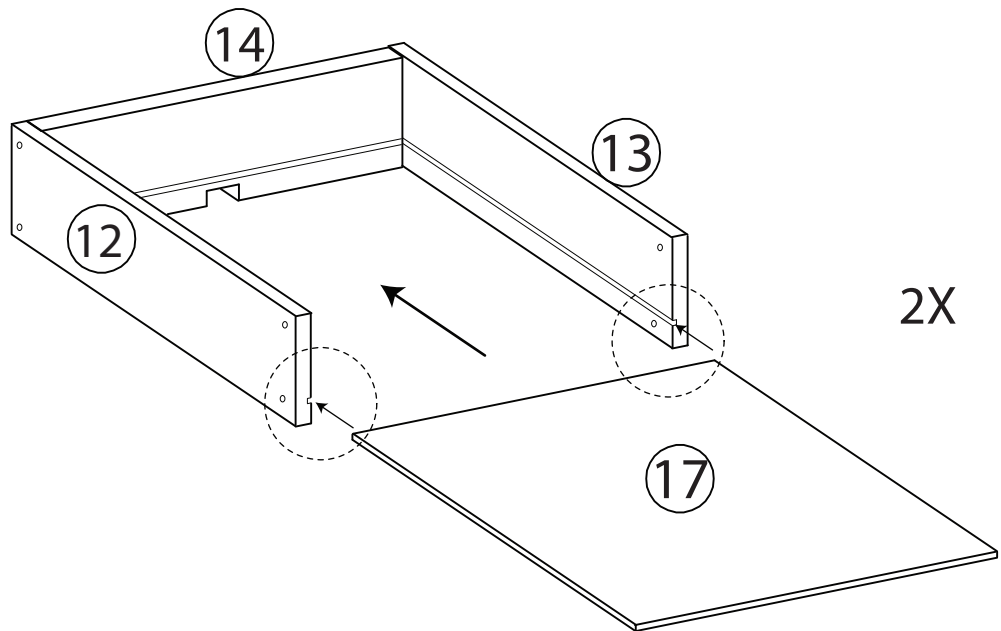
STEP 6:



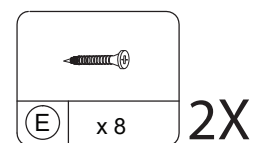
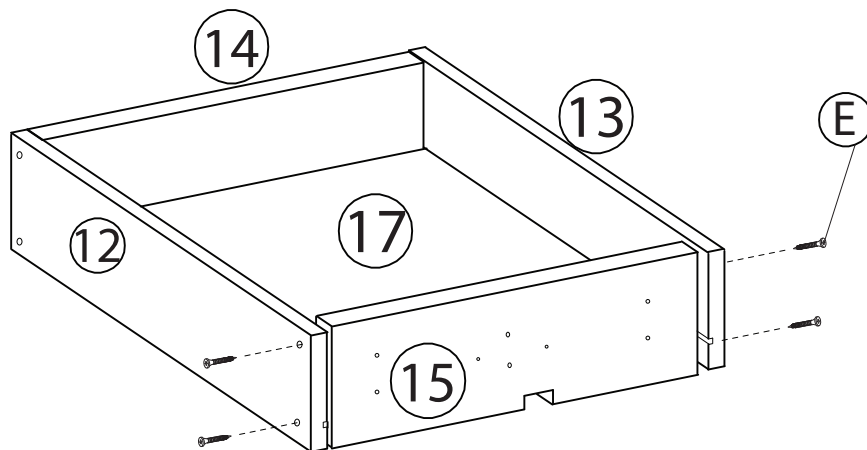
ASSEMBLY INSTRUCTIONS

ITEM NO.:
NIGHT STAND

STEP 7:



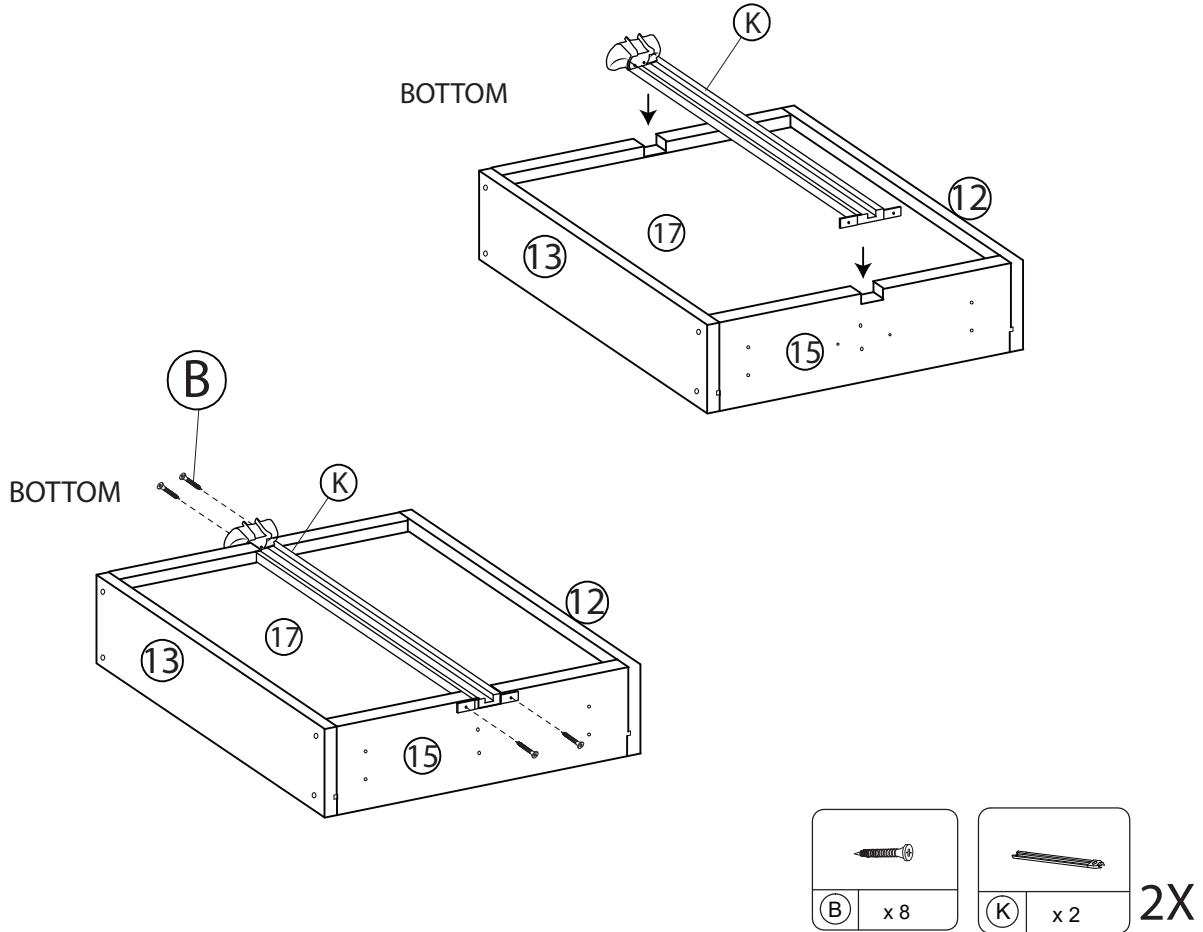
STEP 8:



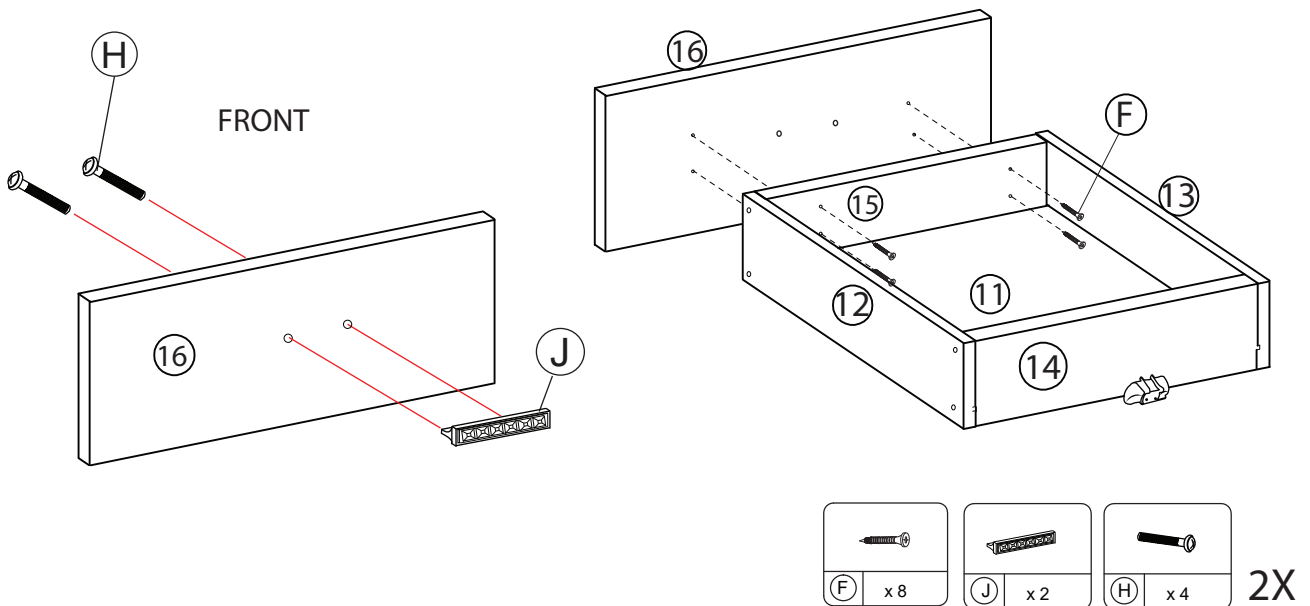
ASSEMBLY INSTRUCTIONS

ITEM NO.:
NIGHT STAND

STEP 9:



STEP 10:



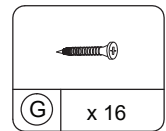
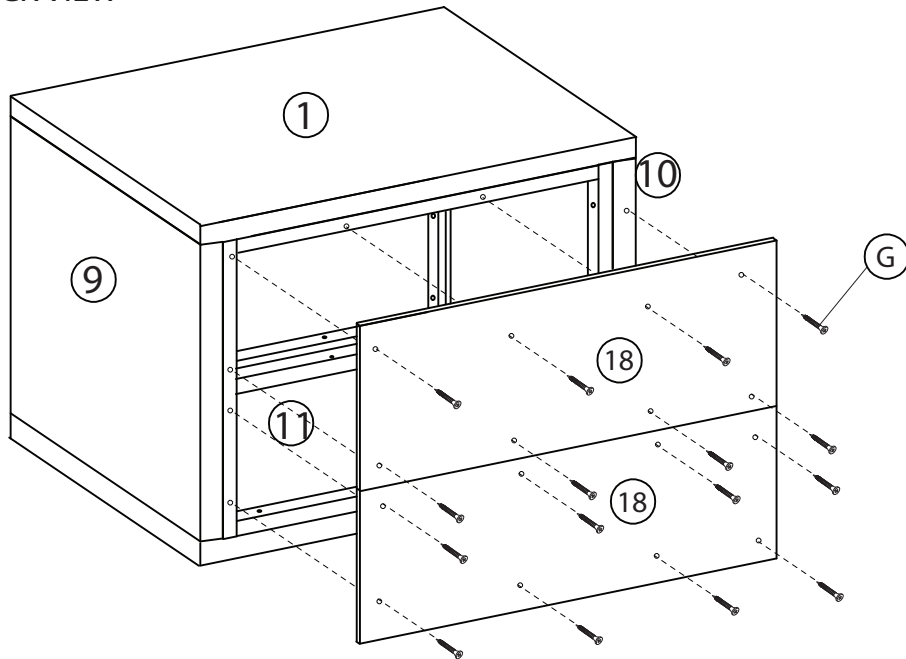
Cleaning instruction: Clean using soft cloth

Made in Malaysia

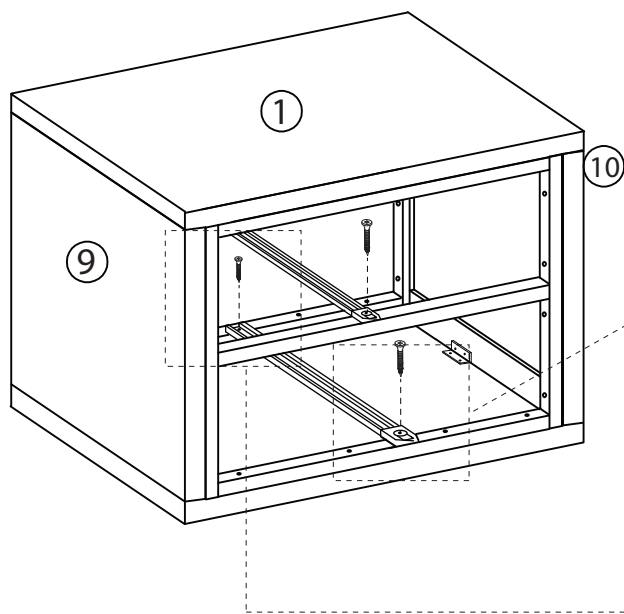
ASSEMBLY INSTRUCTIONS

ITEM NO.: NIGHT STAND

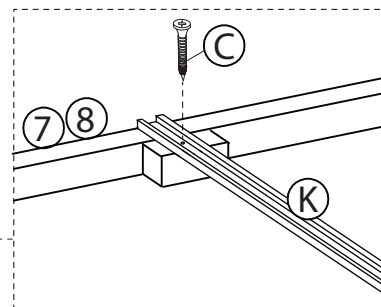
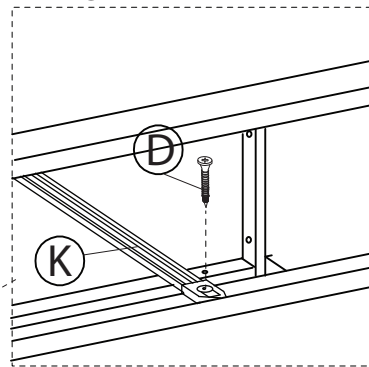
STEP 11: BACK VIEW



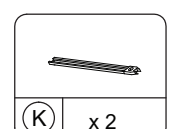
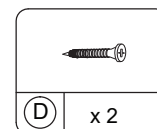
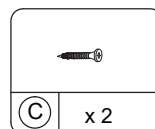
STEP 12:



FRONT



BACK



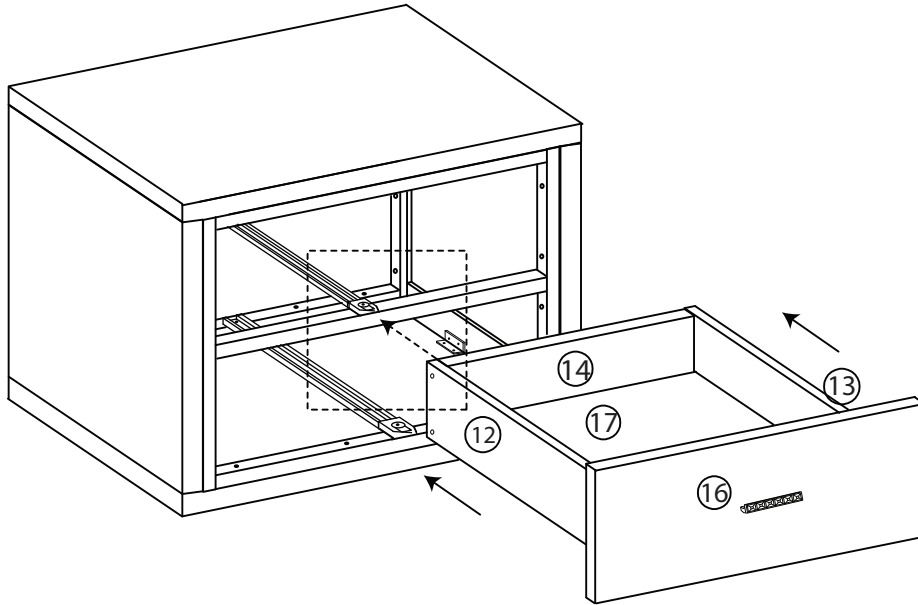
Cleaning instruction: Clean using soft cloth

Made in Malaysia

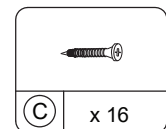
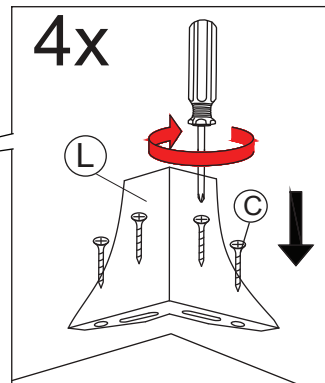
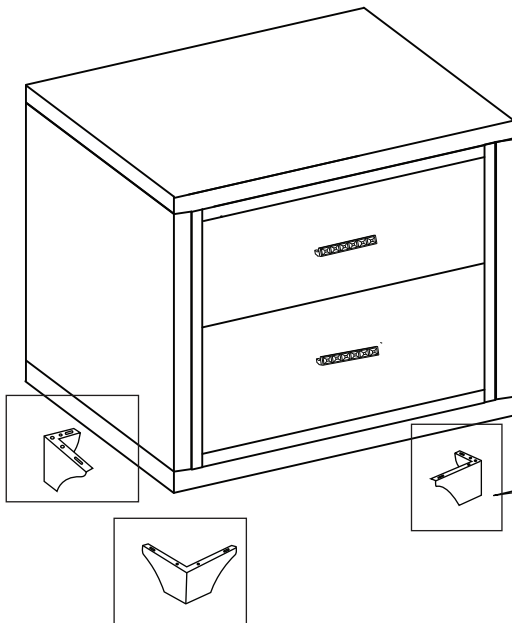
ASSEMBLY INSTRUCTIONS

ITEM NO.:
NIGHT STAND

STEP 13:



STEP 14:



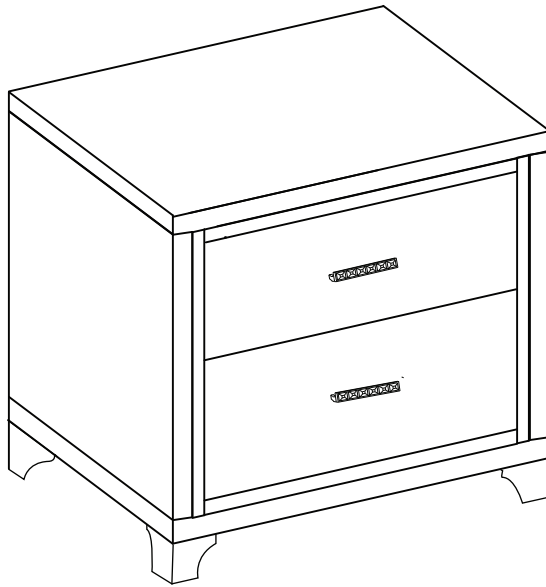
Cleaning instruction: Clean using soft cloth

Made in Malaysia

ASSEMBLY INSTRUCTIONS

ITEM NO.:
NIGHT STAND

STEP 15:



COMPLETED ASSEMBLED