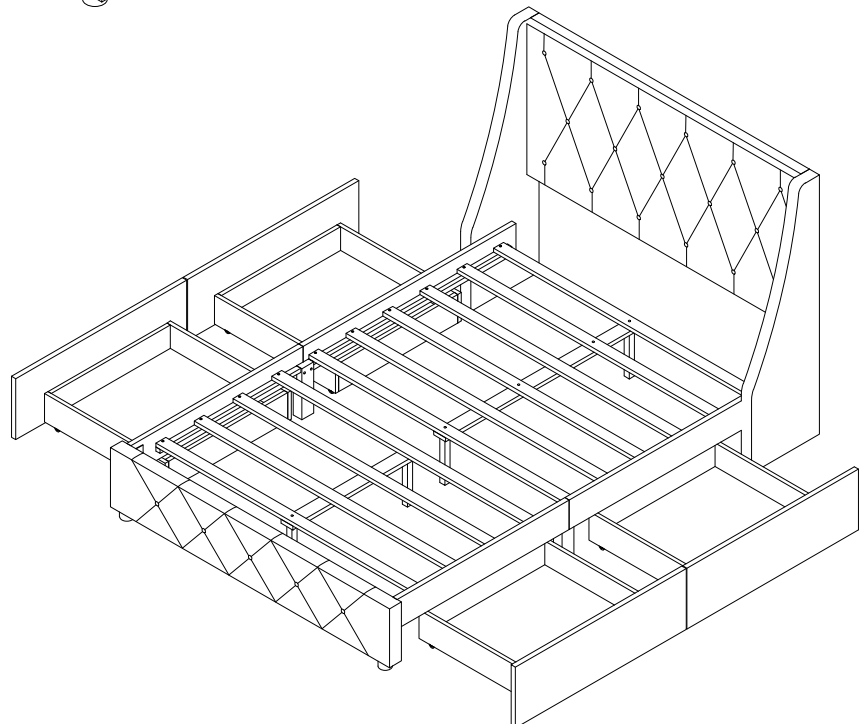
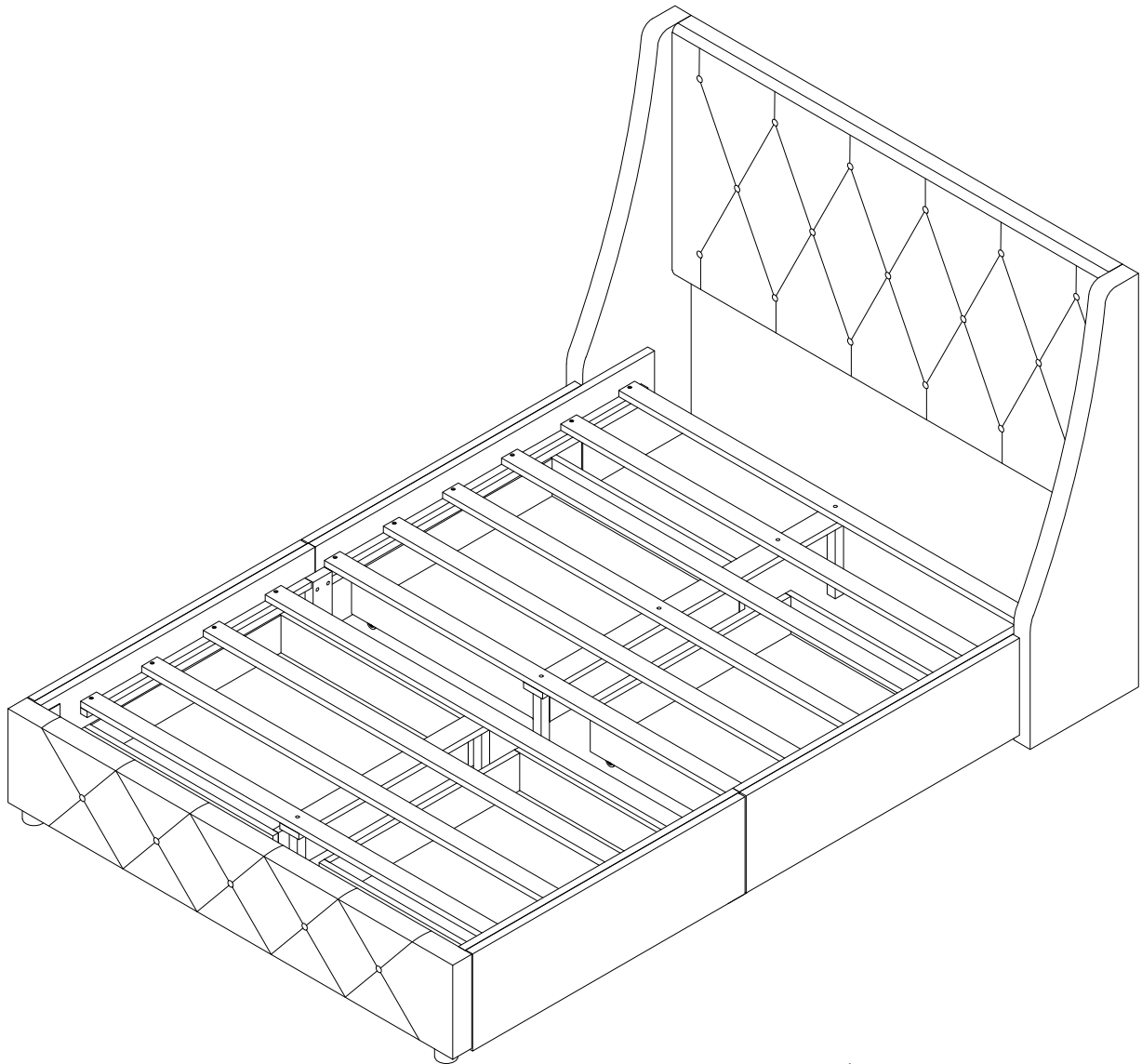
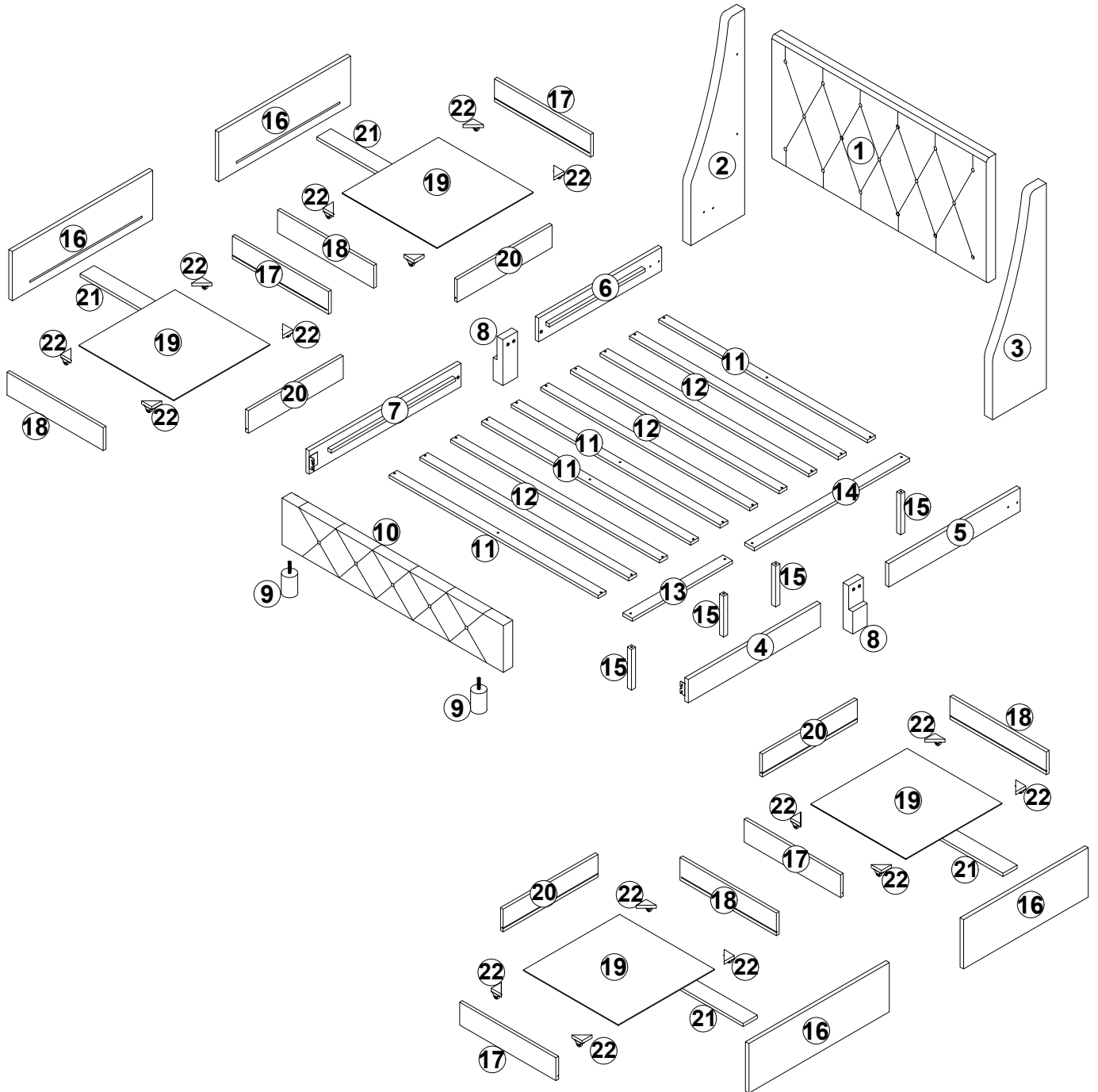


# ASSEMBLY INSTRUCTION

SKU CODE: WF303359 / WF303360

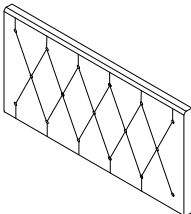
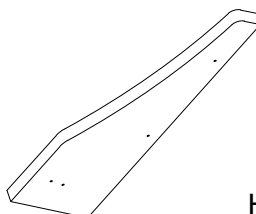
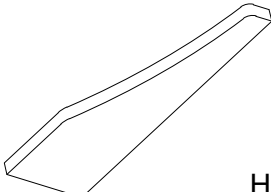


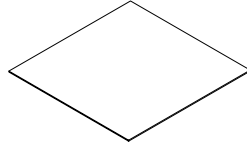
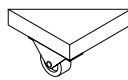
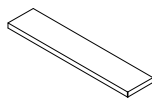


# Detail View - QUEEN BED WITH 4 DRAWERS

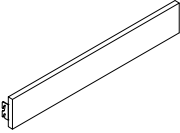
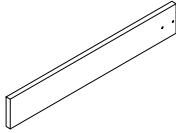
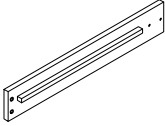
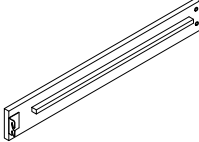
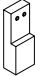
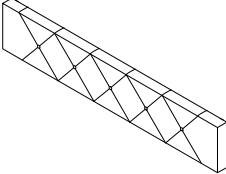
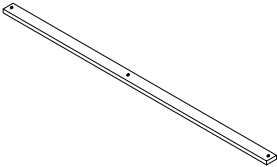
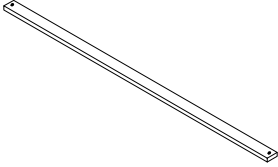
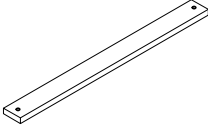
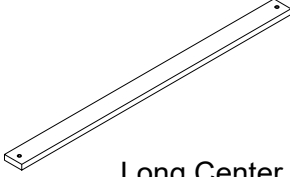
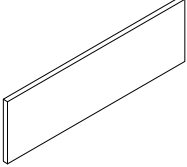
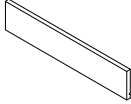
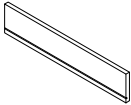
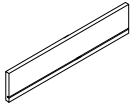


Identifying the Hardware - Identify the hardware using the illustrations below.

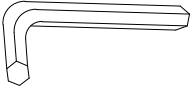
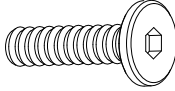
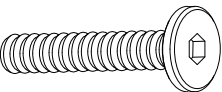


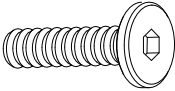

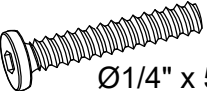



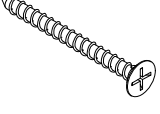
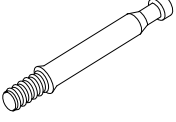

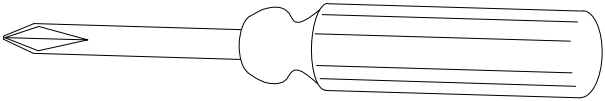
Part Lists: **WFWF303359**

<p><b>1</b></p>  <p>Headboard-1pc</p>	<p><b>2</b></p>  <p>Headboard left leg -1pc</p>
<p><b>3</b></p>  <p>Headboard right leg-1pc</p>	<p><b>9</b></p>  <p>Footboard leg -2pcs</p>
<p><b>15</b></p>  <p>Center support leg - 4pcs</p>	<p><b>19</b></p>  <p>Left drawer bottom -4pcs</p>
<p><b>22</b></p>  <p>Corner block - 16pcs</p>	<p><b>21</b></p>  <p>Drawer bottom support bar -4pcs</p>

Part Lists: **WF303360**

<p><b>4</b></p>  <p>Side rail 1 - 1pc</p>	<p><b>5</b></p>  <p>Side rail 2 - 1pc</p>
<p><b>6</b></p>  <p>Side rail 3 - 1pc</p>	<p><b>7</b></p>  <p>Side rail 4 - 1pc</p>
<p><b>8</b></p>  <p>Side rail support leg - 2pcs</p>	<p><b>10</b></p>  <p>Footboard - 1pc</p>
<p><b>11</b></p>  <p>Bed slat 1 - 4pcs</p>	<p><b>12</b></p>  <p>Bed slat 2 - 6pcs</p>
<p><b>13</b></p>  <p>Short Center support bar - 1pcs</p>	<p><b>14</b></p>  <p>Long Center support bar - 1pcs</p>
<p><b>16</b></p>  <p>Drawer Front - 4pcs</p>	<p><b>17</b></p>  <p>Drawer side left - 4pcs</p>
<p><b>18</b></p>  <p>Drawer side right - 4pcs</p>	<p><b>20</b></p>  <p>Drawer back - 4pcs</p>

# HARDWARE LISTS: WF303359

<b>A</b>  4mm Allen key (1pc)	<b>B</b>  Ø5/16" x 20mm Hex-head bolt (4pcs)
<b>C</b>  Ø5/16" x 40mm Hex-head bolt (8pcs)	<b>D</b>  Ø5/16" Spring washer (12pcs)
<b>E</b>  Ø5/16" Flat washer(12pcs)	<b>F</b>  Ø1/4" x 30mm Hex-head bolt (4pcs)
<b>G</b>  Ø1/4" x 45mm Hex-head bolt (4pcs)	<b>H</b>  Ø1/4" x 50mm Hex-head bolt (16pcs)
<b>I</b>  Ø1/4" Barrel nut (16pcs)	<b>J</b>  Ø1/4" Spring washer (8pcs)
<b>K</b>  Ø1/4" Flat washer(8pcs)	<b>L</b>  Ø4 x 30mm Wood screw (68pcs)
<b>M</b>  Cam bolt (16pcs)	<b>N</b>  Cam lock(16pcs)
 <b>ASSEMBLY TOOLS REQUIRED ( NOT INCLUDED )</b>	



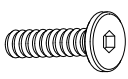
Read this instruction carefully. See hardware and furniture part list for guidance. Be sure all parts are complete, before you assemble. Place all wooden furniture parts on a clean and flat soft surface to prevent from being scratched. Follow the figure to start assembling.

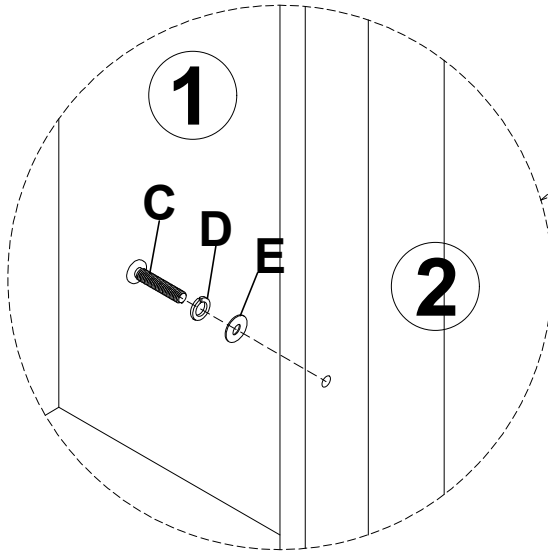
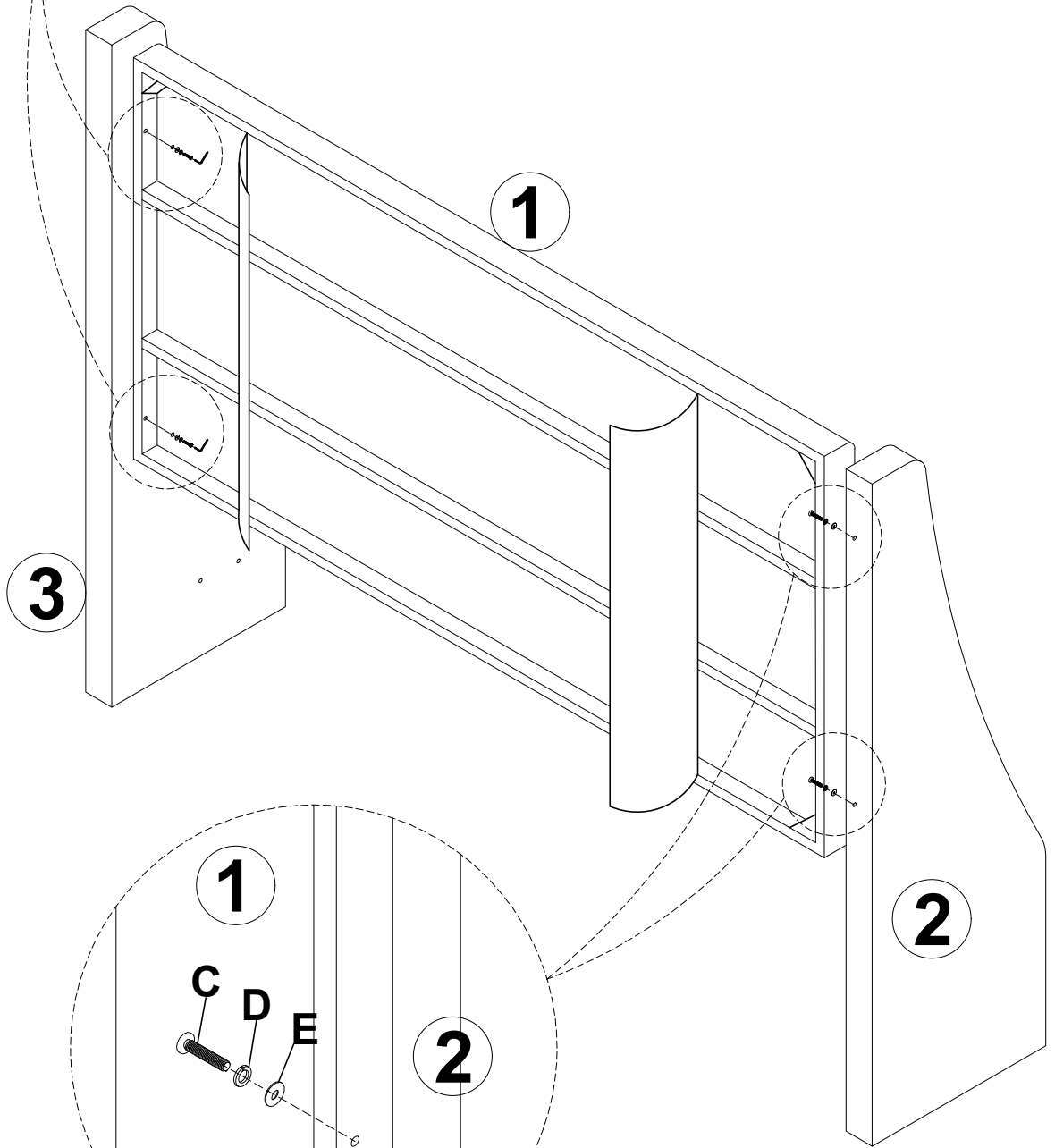
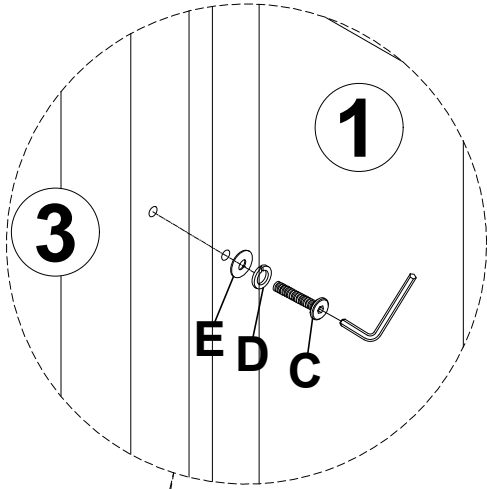
### CAUTIONS :

1. Do not FULLY - TIGHTEN the nut or nut bolt until all nut or bolt is ready assembled.
2. Do not OVER - TIGHTEN the nut or bolt to avoid causing damages to the thread.
3. Keep all hardware parts out of reach of children.

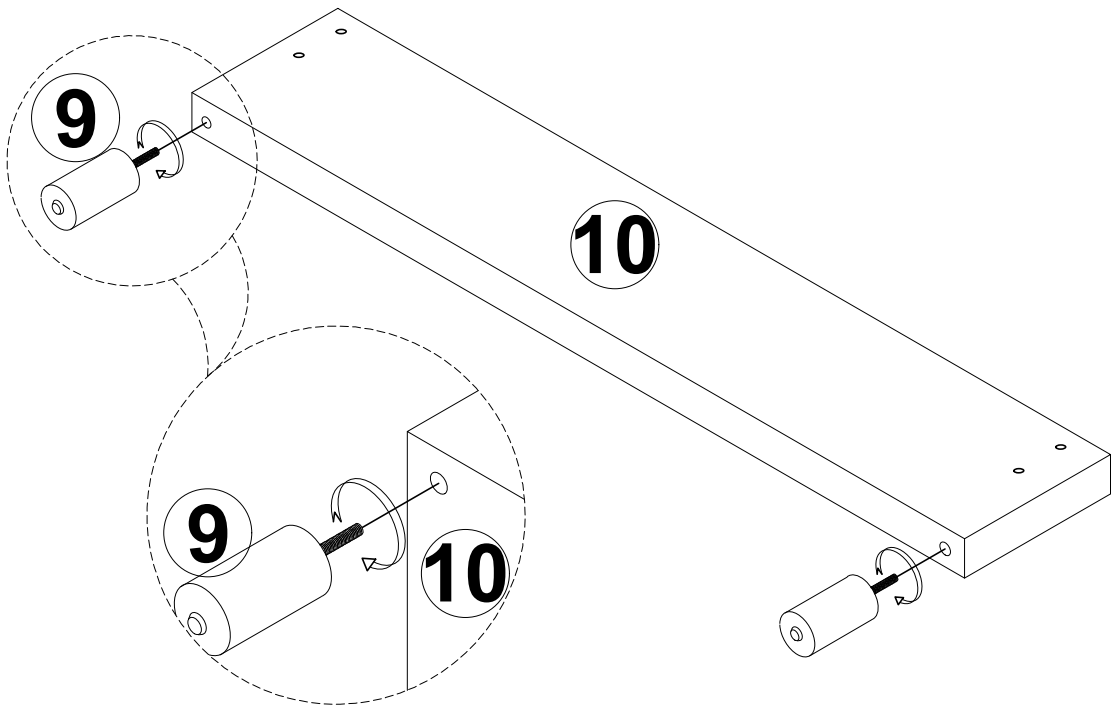
**NOTE : THE LIST AND QUANTITY SHOWN ARE FOR 1 UNIT ASSEMBLY.**

**STEP 1**

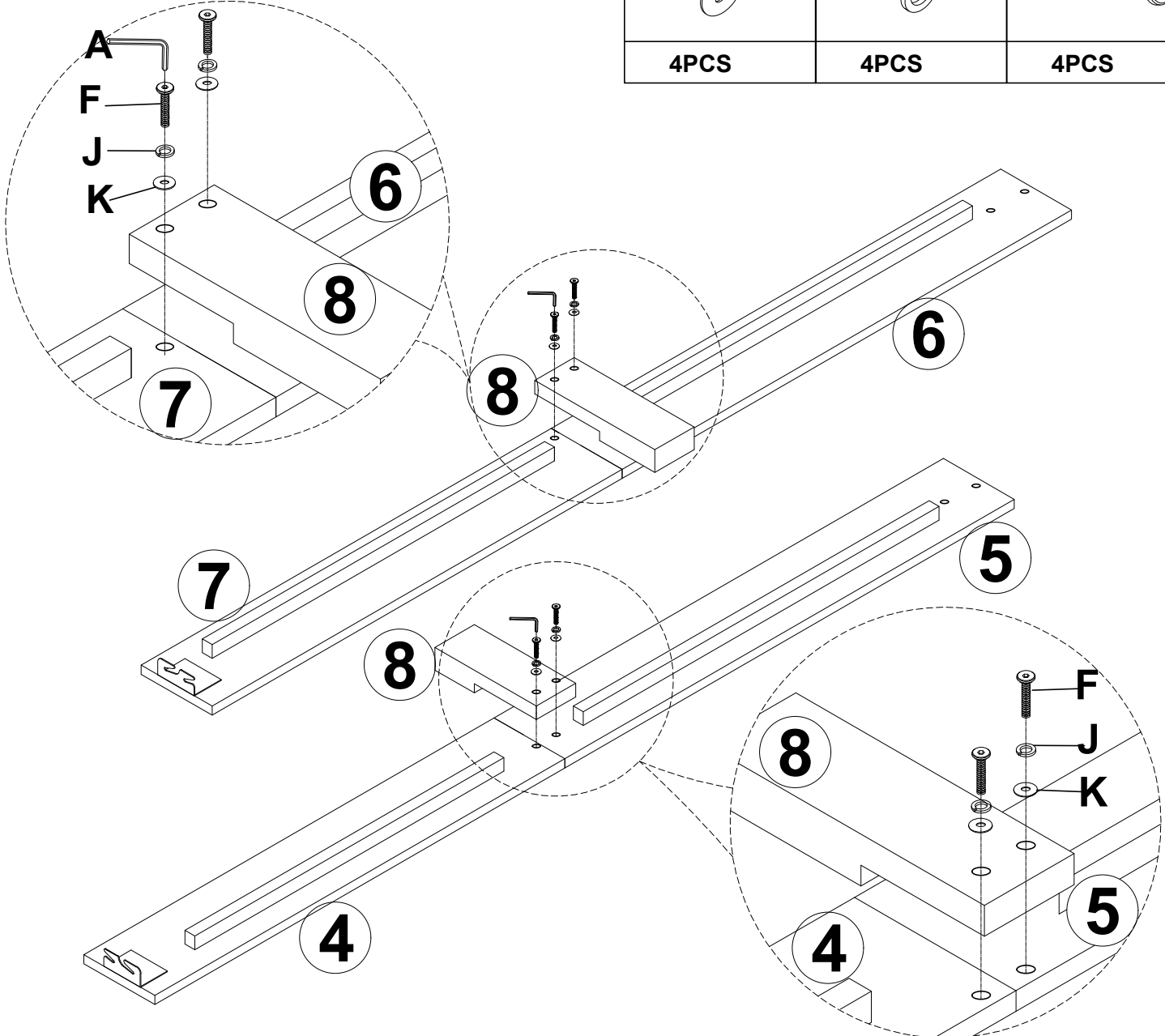
<b>E</b> 	<b>D</b> 	<b>C</b> 
<b>4PCS</b>	<b>4PCS</b>	<b>4PCS</b>



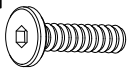


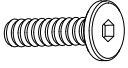
## STEP 2

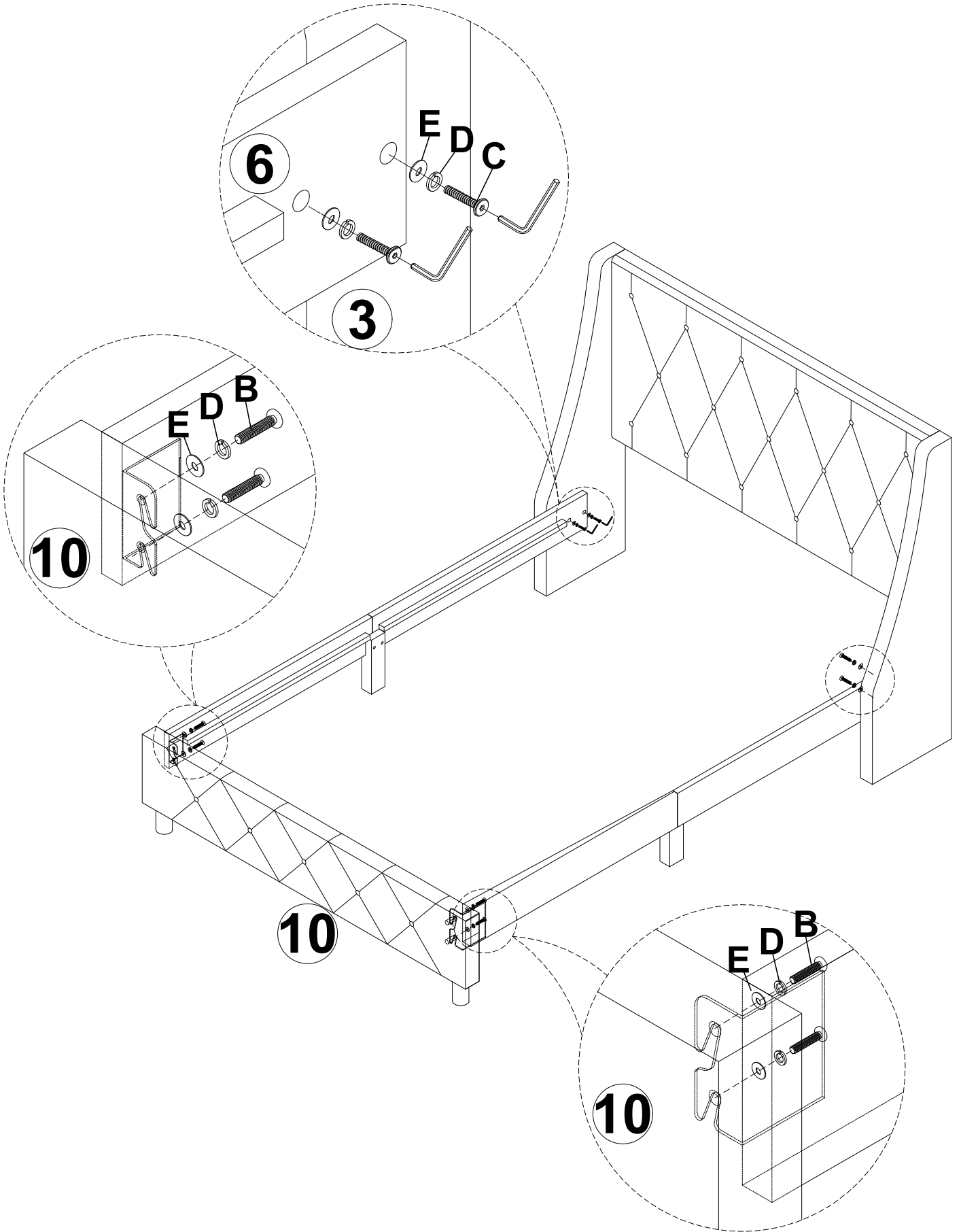


## STEP 3





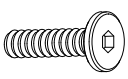
# STEP 4

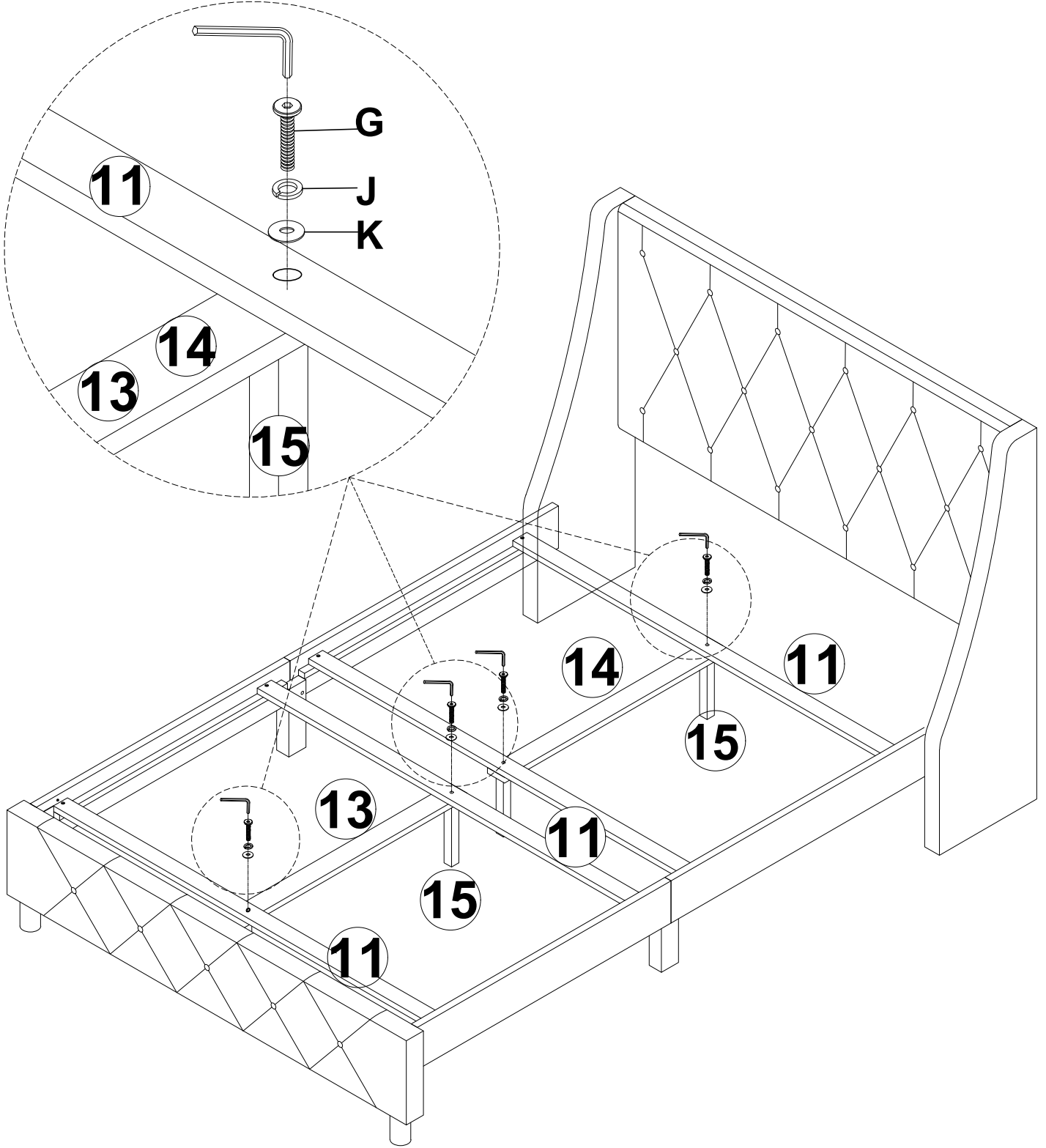
<b>C</b> 	<b>E</b> 	<b>D</b> 	<b>B</b> 
<b>4PCS</b>	<b>8PCS</b>	<b>8PCS</b>	<b>4PCS</b>





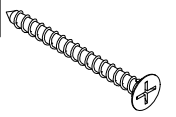
# STEP 5

<b>K</b> 	<b>J</b> 	<b>G</b> 
<b>4PCS</b>	<b>4PCS</b>	<b>4PCS</b>

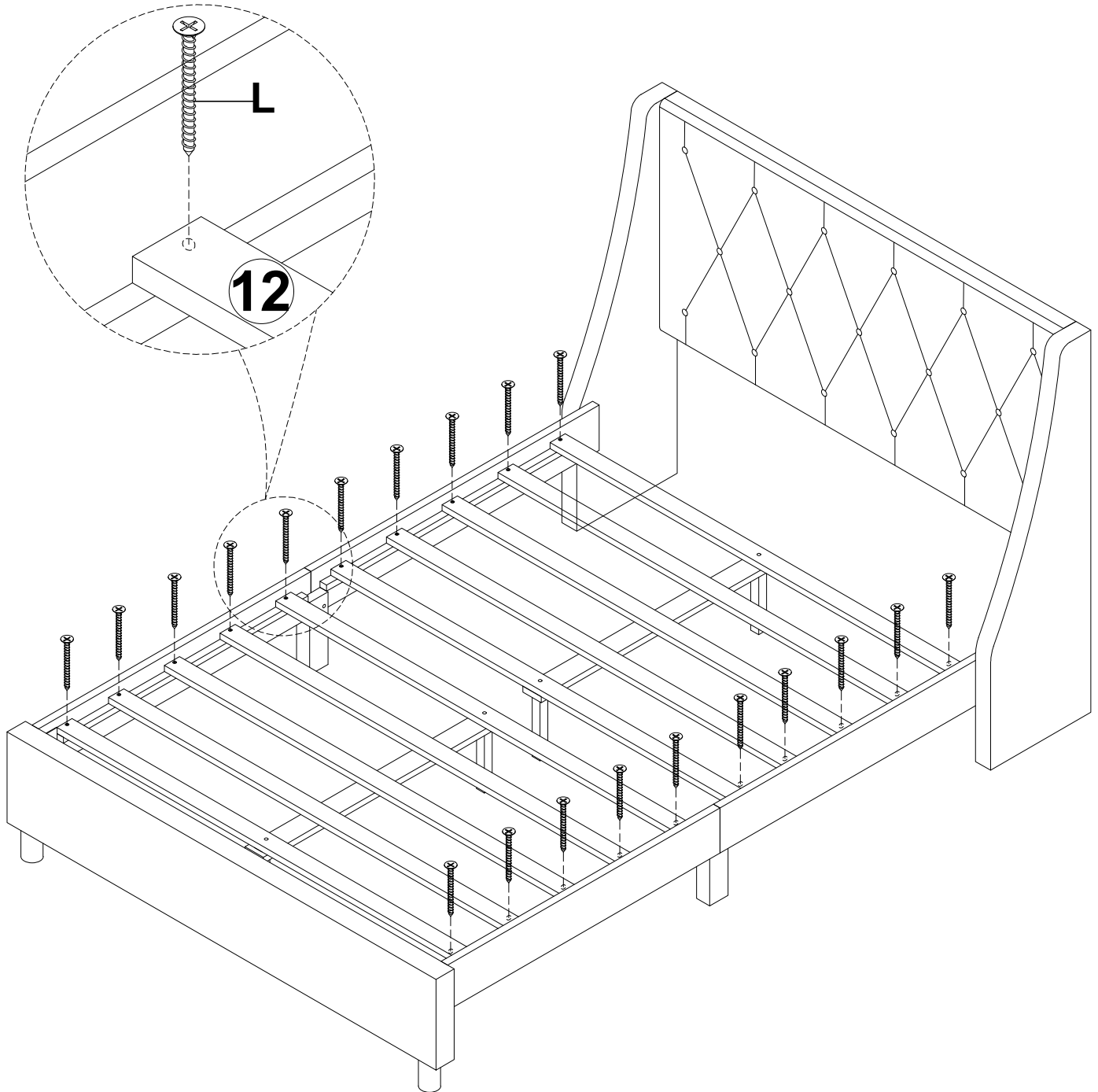


# STEP 6

L

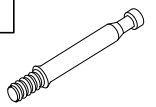


20PCS

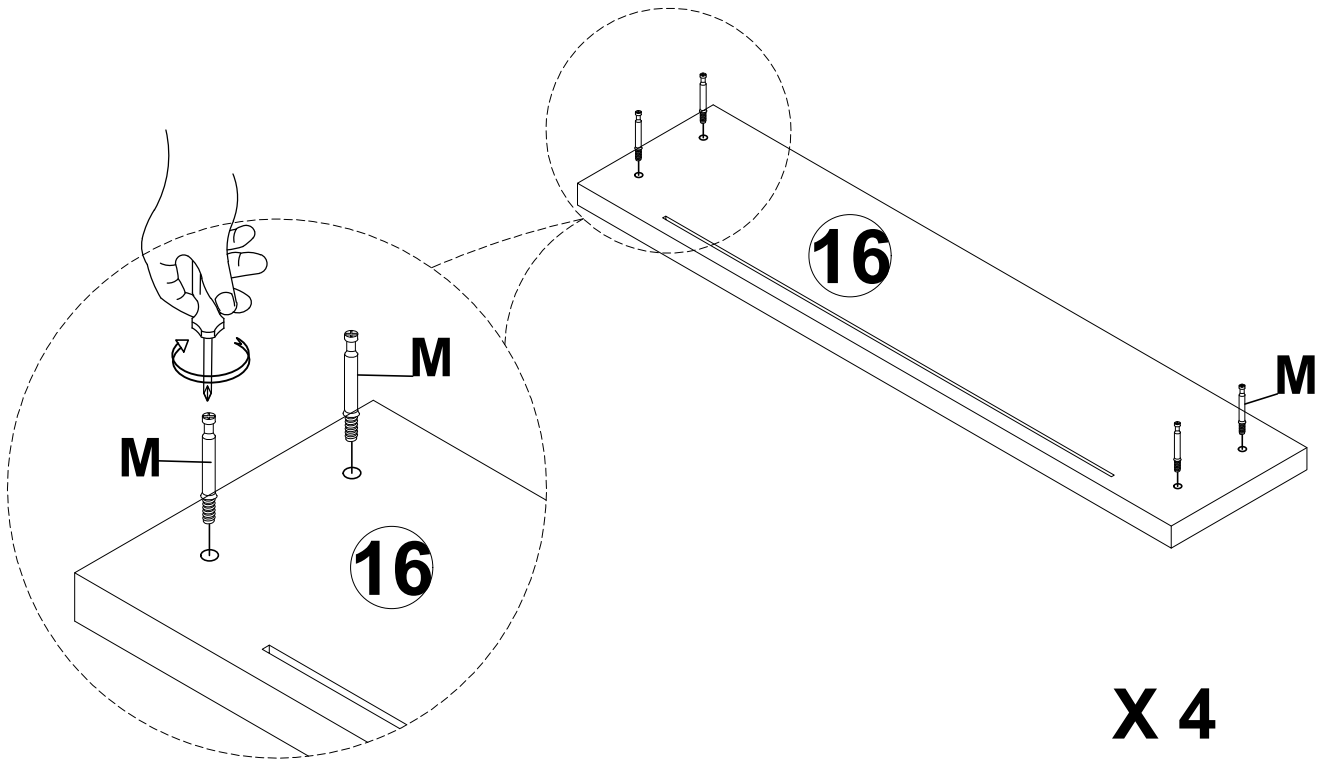


**STEP 7**

**M**



**16PCS**

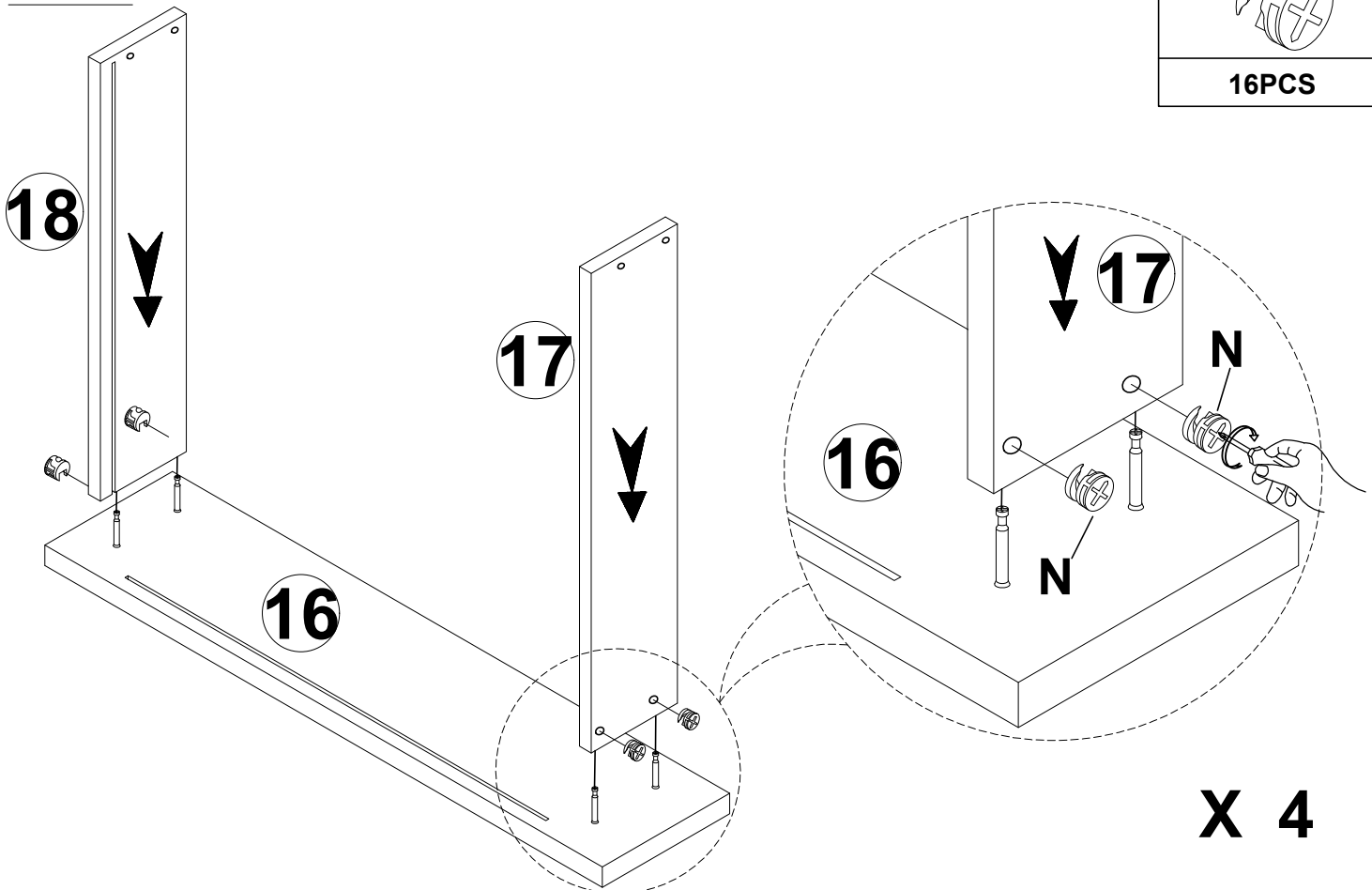


**STEP 8**

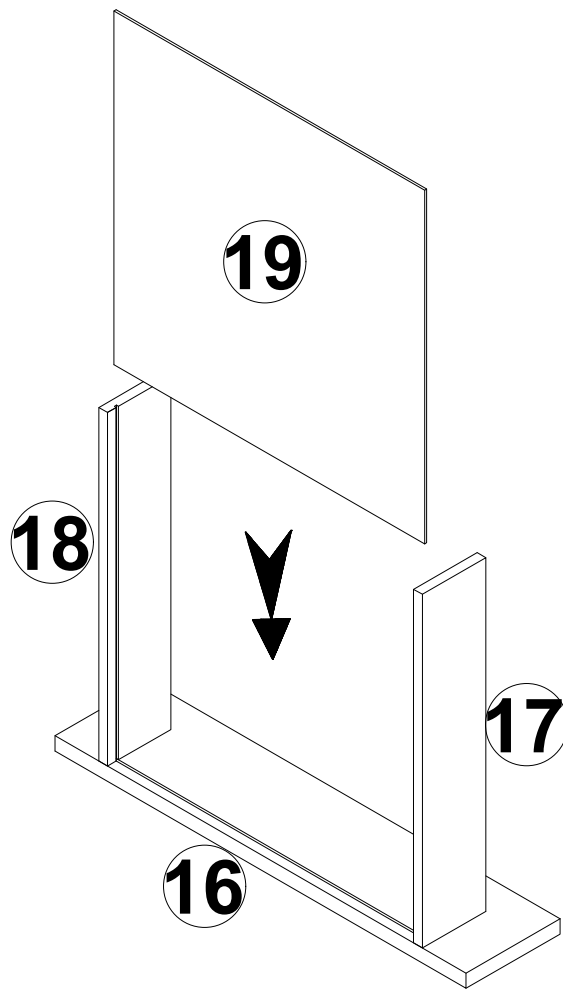
**N**



**16PCS**





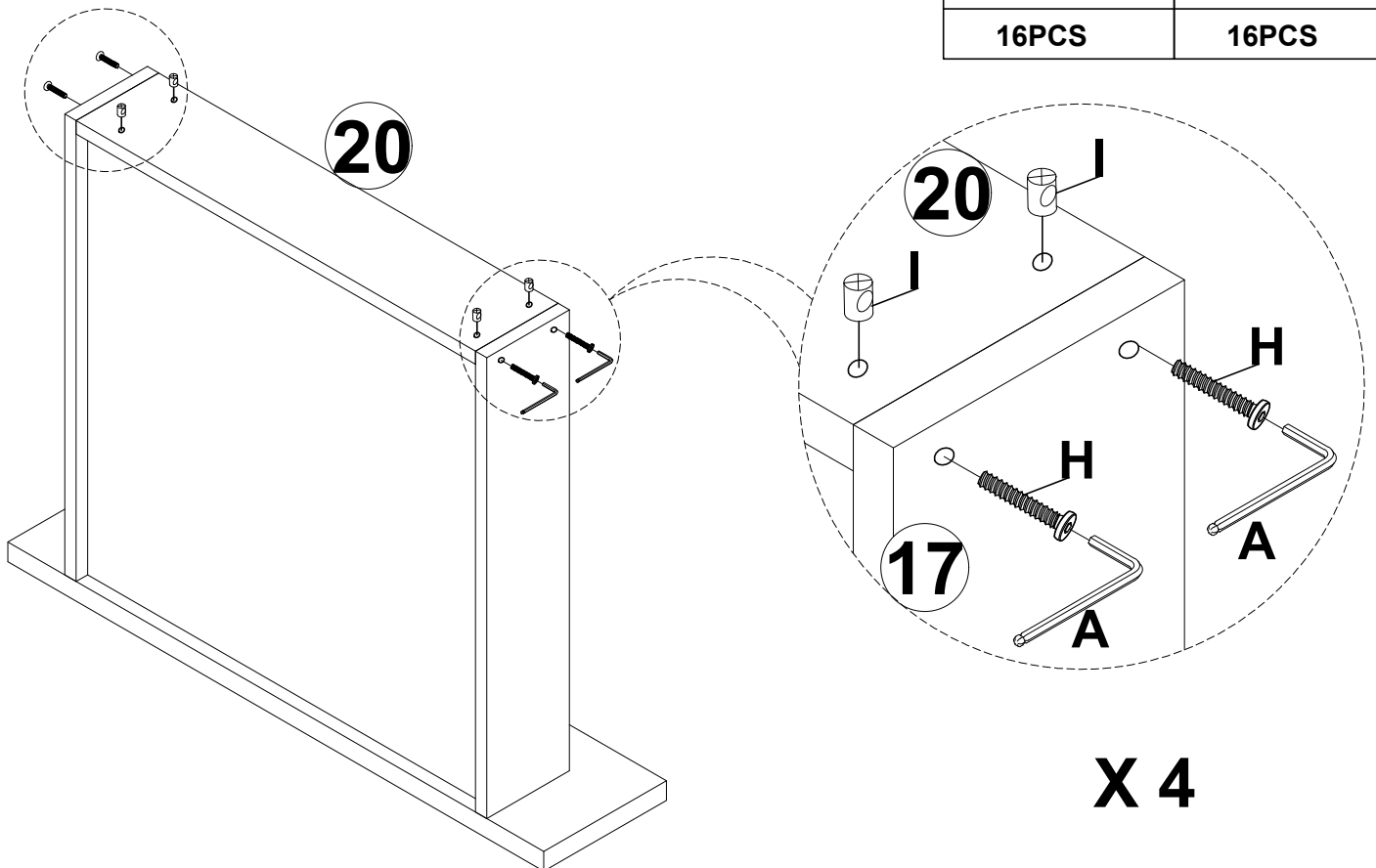
**STEP 9**



**X 4**

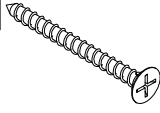
**STEP 10**

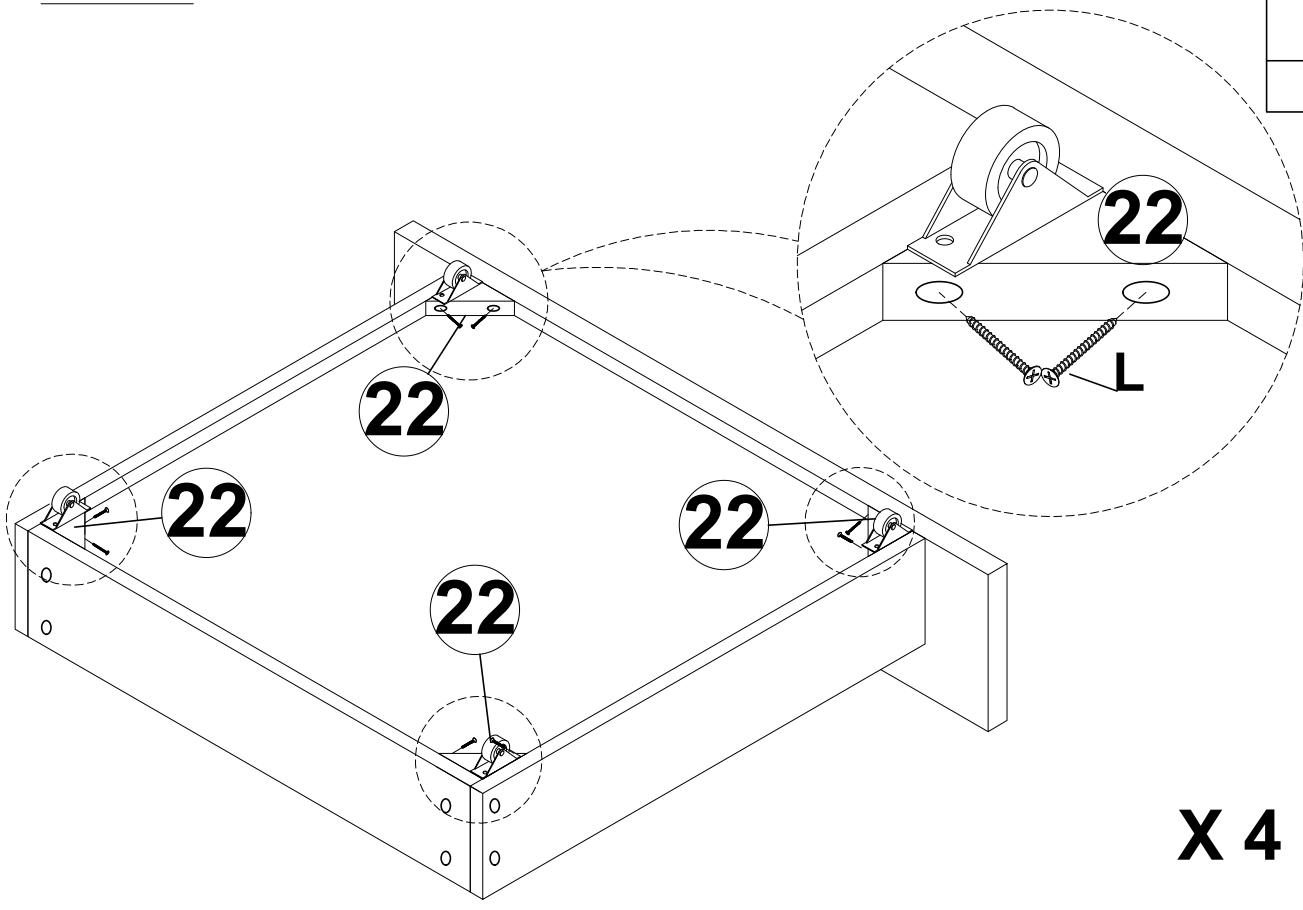
I		H	
16PCS		16PCS	



**X 4**

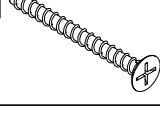
**STEP 11**

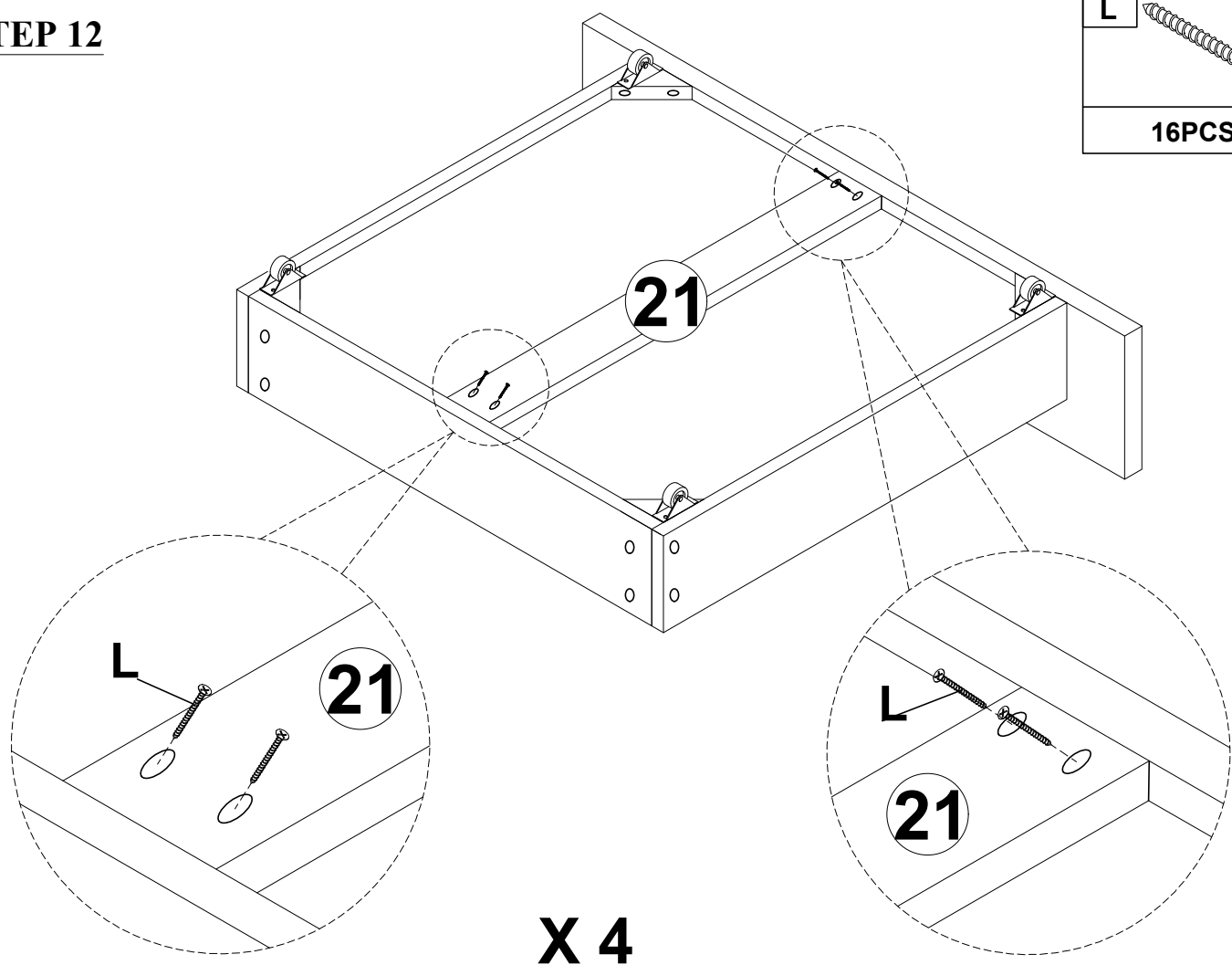
L	
<b>32PCS</b>	



**X 4**

**STEP 12**

L	
<b>16PCS</b>	



**X 4**

**STEP 13**

