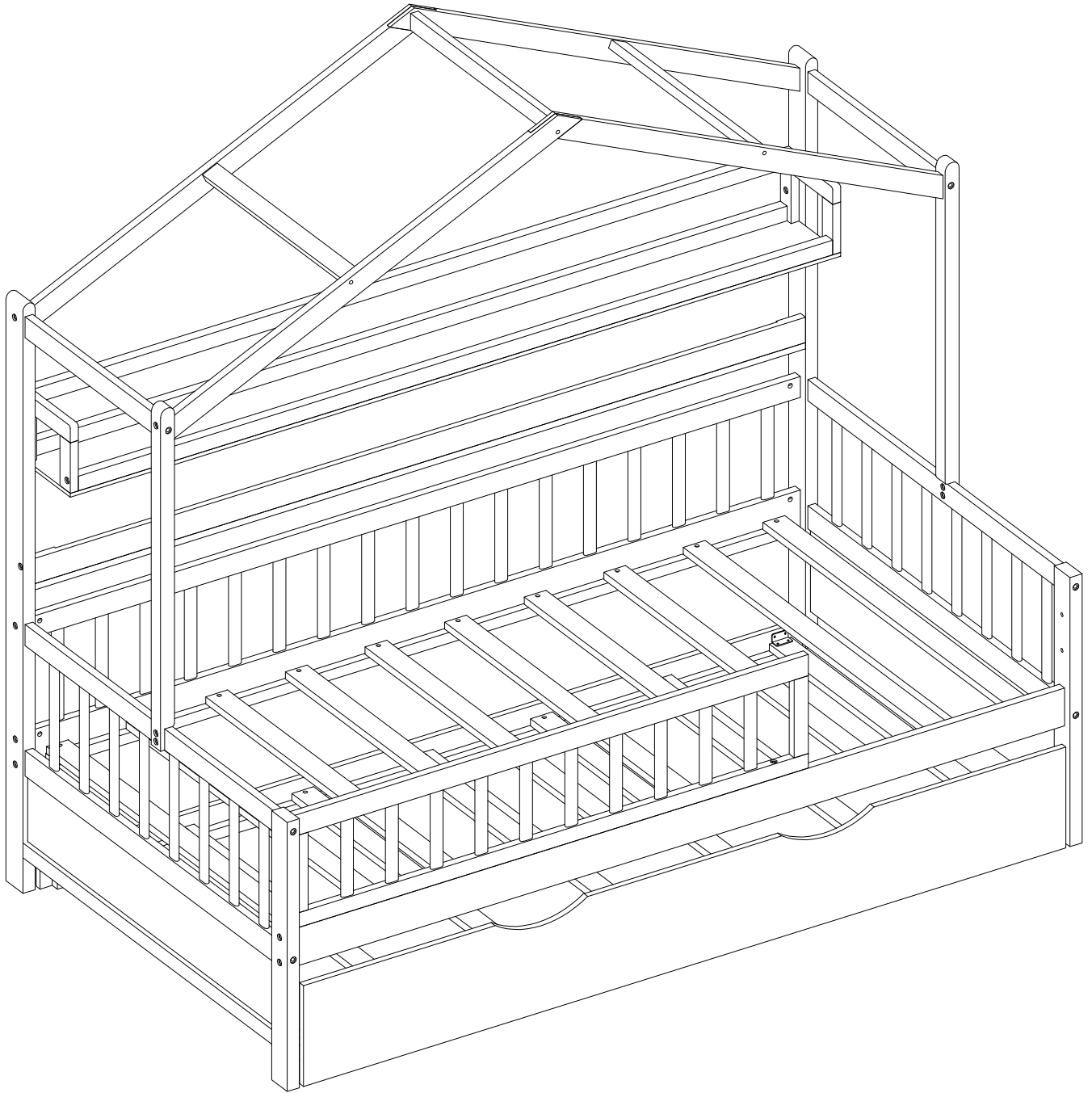
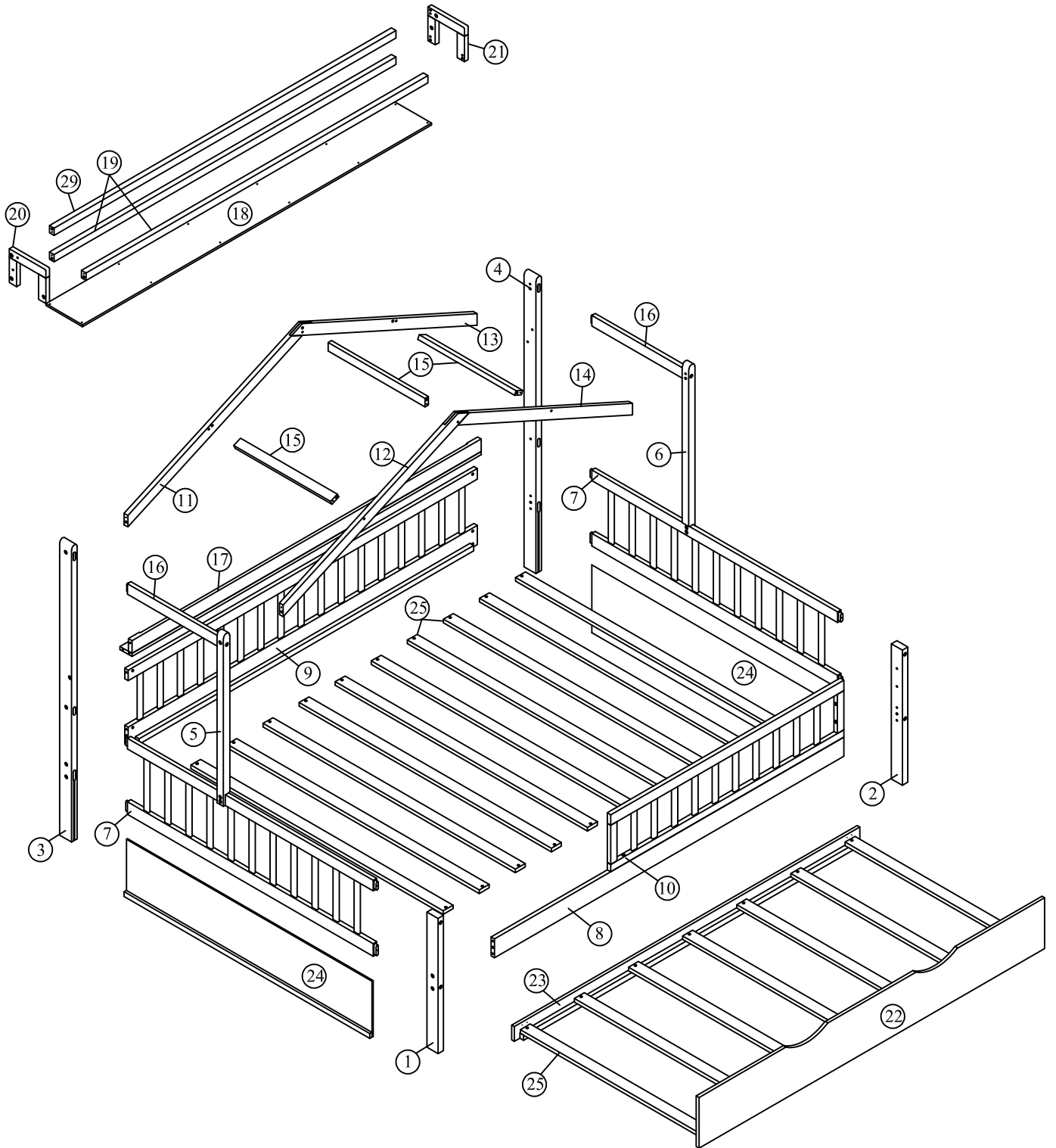


ASSEMBLY INSTRUCTION

SKU CODE : WF301682

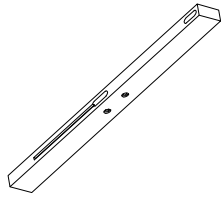


Detail:



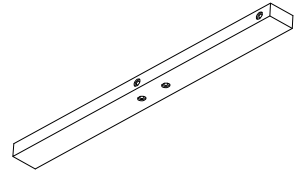
Part List (WF301682)

① x1



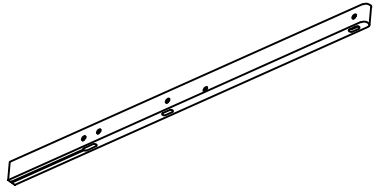
Front Left Leg

② x1



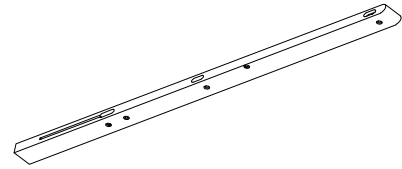
Front Right Leg

③ x1



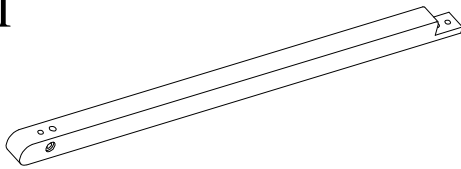
Back Left Leg

④ x1



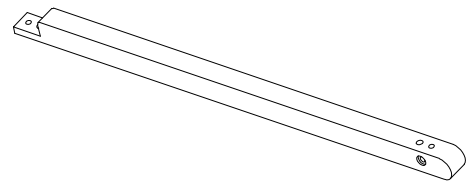
Back Right Leg

⑤ x1



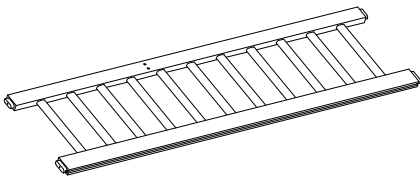
Mid (Left) Leg

⑥ x1



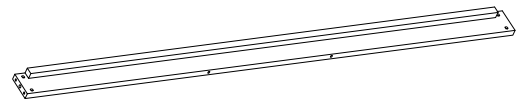
Mid (Right) Leg

⑦ x2



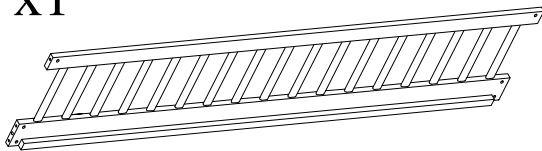
Frames Headboards

⑧ x1



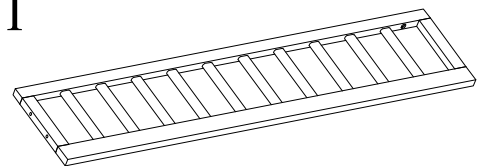
Side Rail

⑨ x1



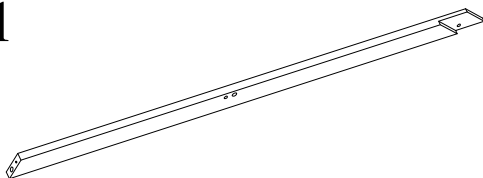
Side Rail

⑩ x1



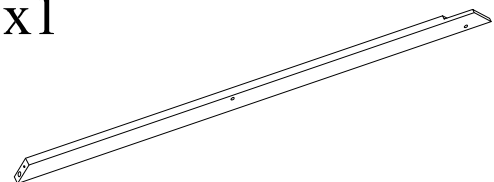
Side Rail Guards

⑪ x1



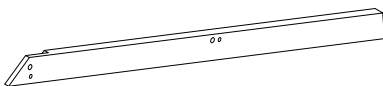
Back Left Roof Rail

⑫ x1



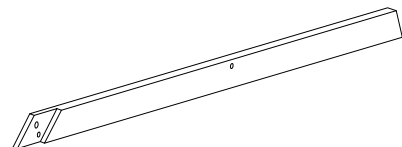
Front Left Roof Rail

⑬ x1



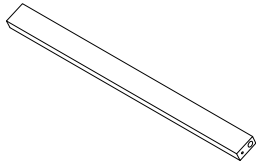
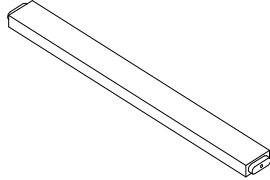
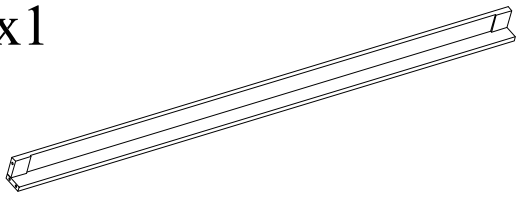
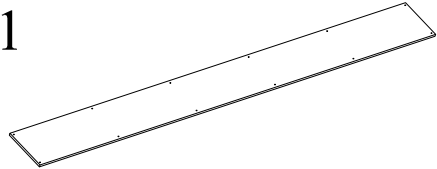
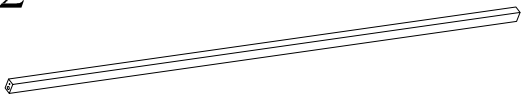
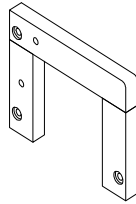
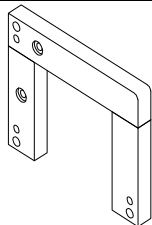
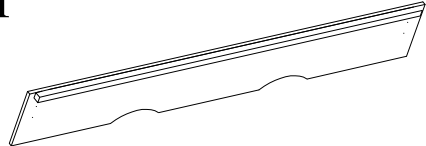
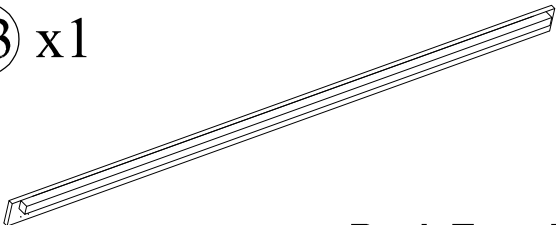

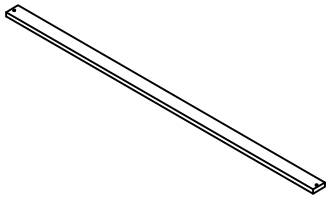
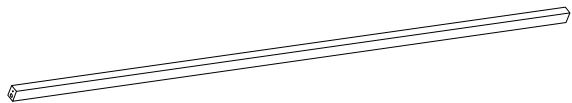
Back Right Roof Rail

⑭ x1

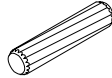
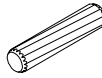
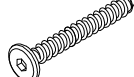


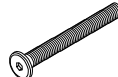
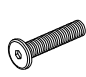



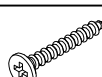
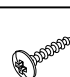

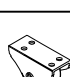

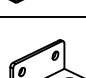
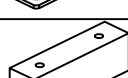


Front Right Roof Rail

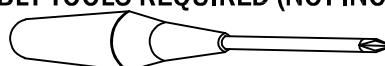
Part List (WF301682)

<p>①5 x3</p>  <p style="text-align: center;">Roof Rail</p>	<p>①6 x2</p>  <p style="text-align: center;">Top Guard</p>
<p>①7 x1</p>  <p style="text-align: center;">Small Shelf</p>	<p>①8 x1</p>  <p style="text-align: center;">Bottom Shelf Big</p>
<p>①9 x2</p>  <p style="text-align: center;">(Bottom) Shelf Guard</p>	<p>②0 x1</p>  <p style="text-align: center;">(Left) Side Shelf</p>
<p>②1 x2</p>  <p style="text-align: center;">(Right) Side Shelf</p>	<p>②2 x1</p>  <p style="text-align: center;">Front Trundle</p>
<p>②3 x1</p>  <p style="text-align: center;">Back Trundle</p>	<p>②4 x2</p>  <p style="text-align: center;">Panel Frames Headboard - Footboard</p>
<p>②5 x17</p>  <p style="text-align: center;">Slats</p>	<p>②9 x1</p>  <p style="text-align: center;">Back Guard (Shelf big)</p>


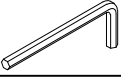
Hardware List (WF301682)

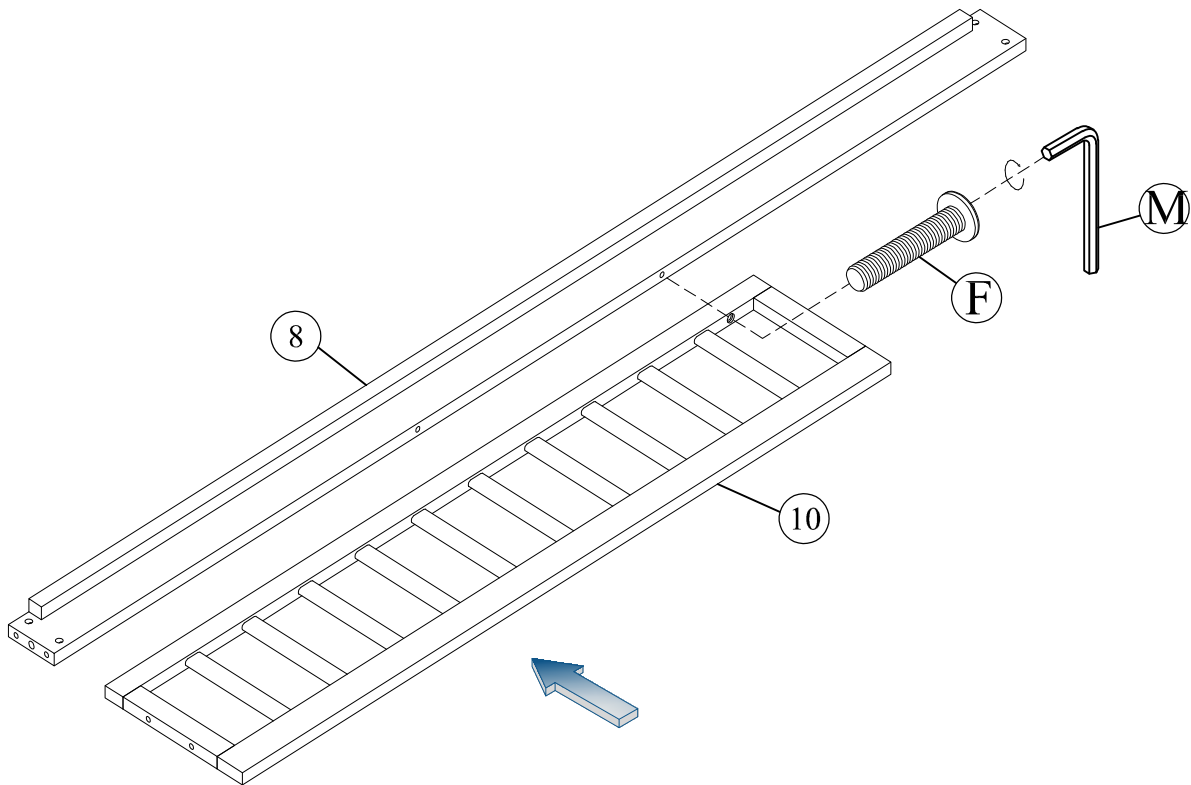
No.	OUTLOOK	DESC	QTY
(A)		Dowel Ø10*40mm	20
(B)		Dowel Ø8*30mm	04
(C)		Screws Ø6.5*50mm	12
(D)		Screws Ø6.5*70mm	10
(E)		Bolts 1/4"*70mm	16
(F)		Bolts 1/4"*50mm	03
(G)		Bolts 1/4"*35mm	06
(H)		Bolts 1/4"*25mm	04
(I)		Cross dowel 1/4"*13mm	16
(J)		Screws #7*12mm	32
(K)		Flat head screw #8*25mm	38
(L)		Round head screw #8*20mm	12
(M)		Allen key 60*22*4mm	01
(N)		Wheels	04
(O)		Base L Big	02
(P)		Base L small	02
(Q)		Stop Wood	02

ASSEMBLY TOOLS REQUIRED (NOT INCLUDED)

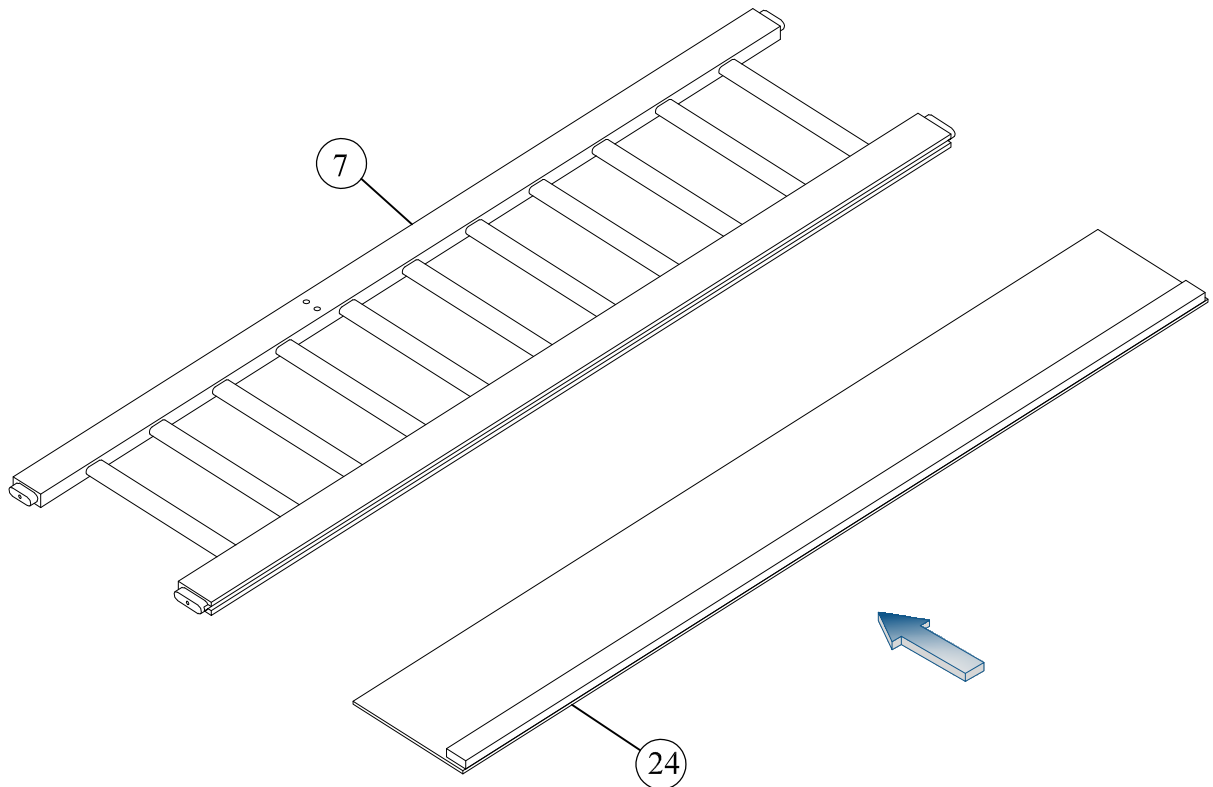


STEP 1:

(F)		01
(M)		01

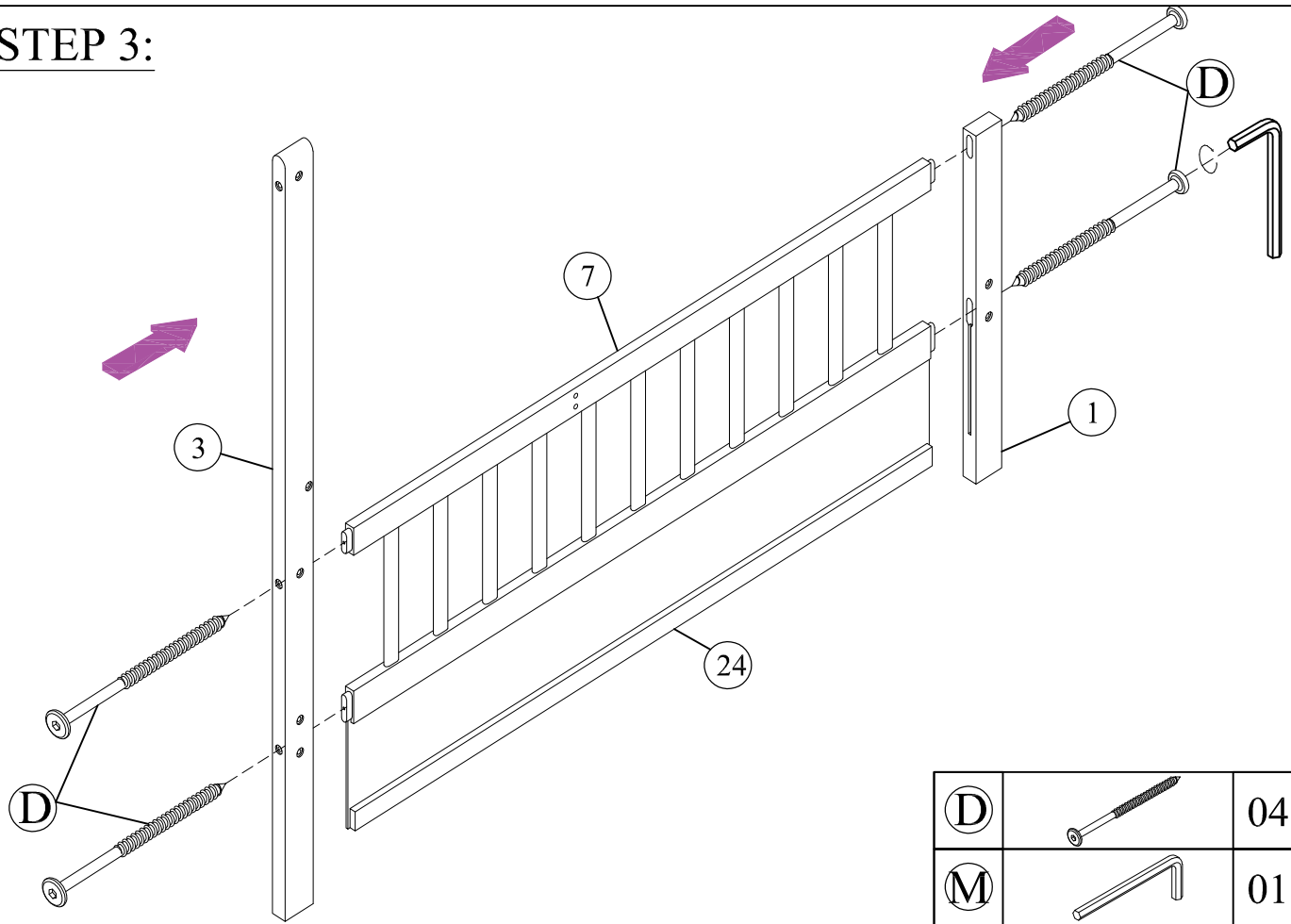


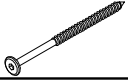

STEP 2:



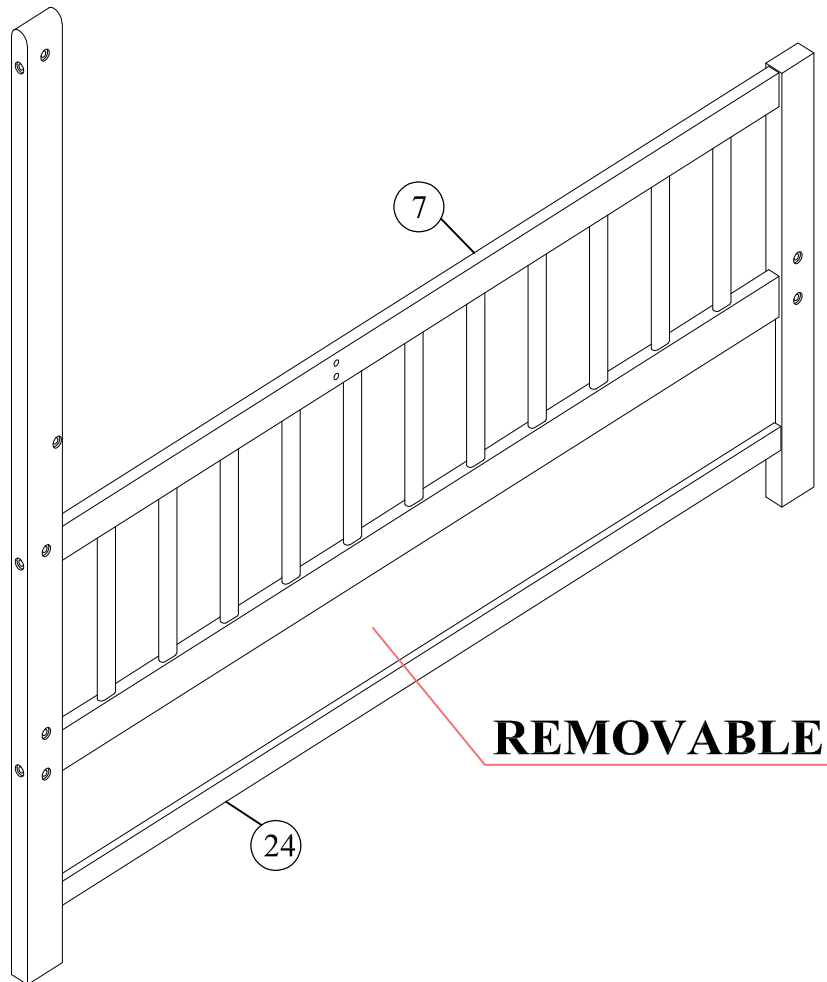
X2

STEP 3:

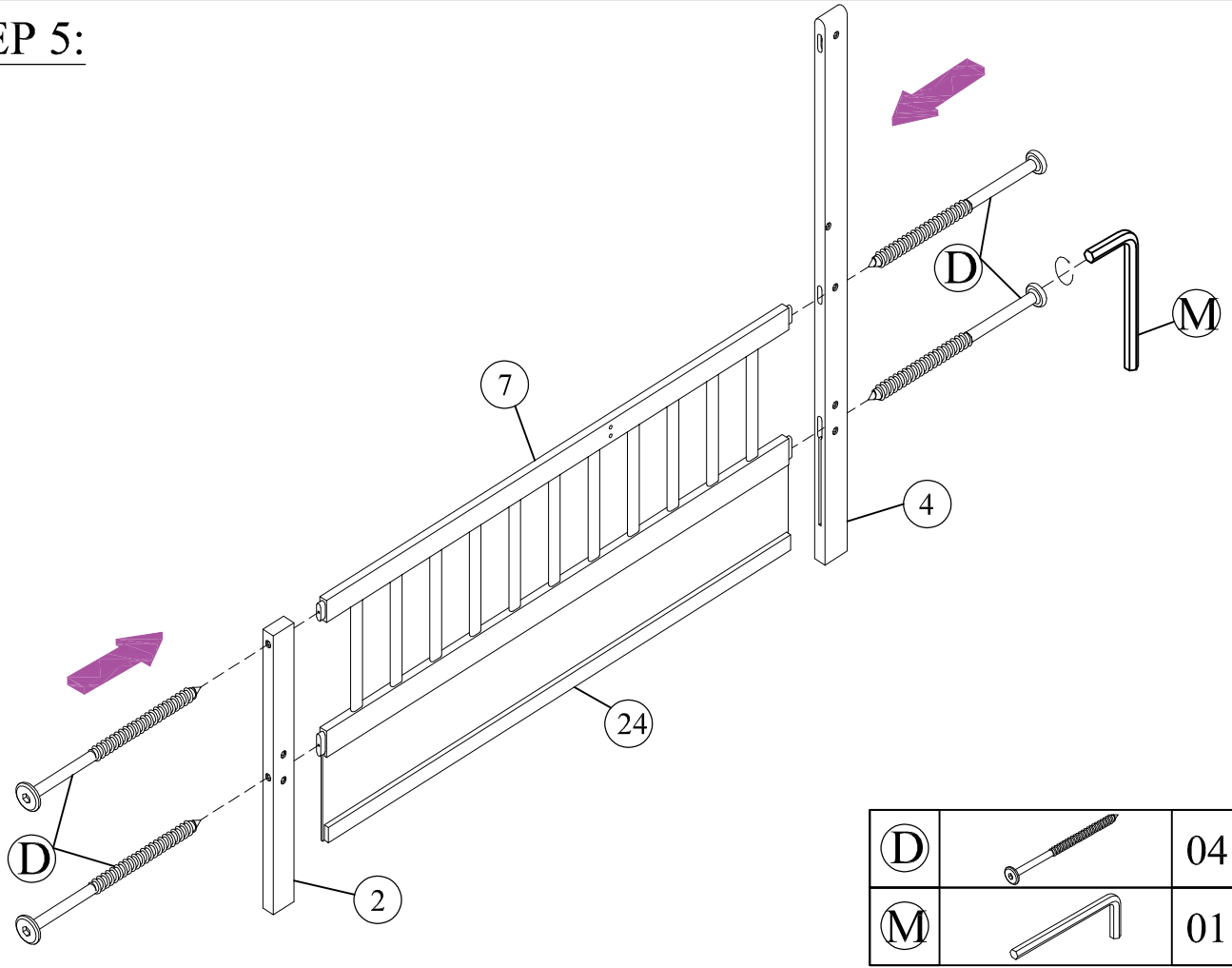


(D)		04
(M)		01

STEP 4:

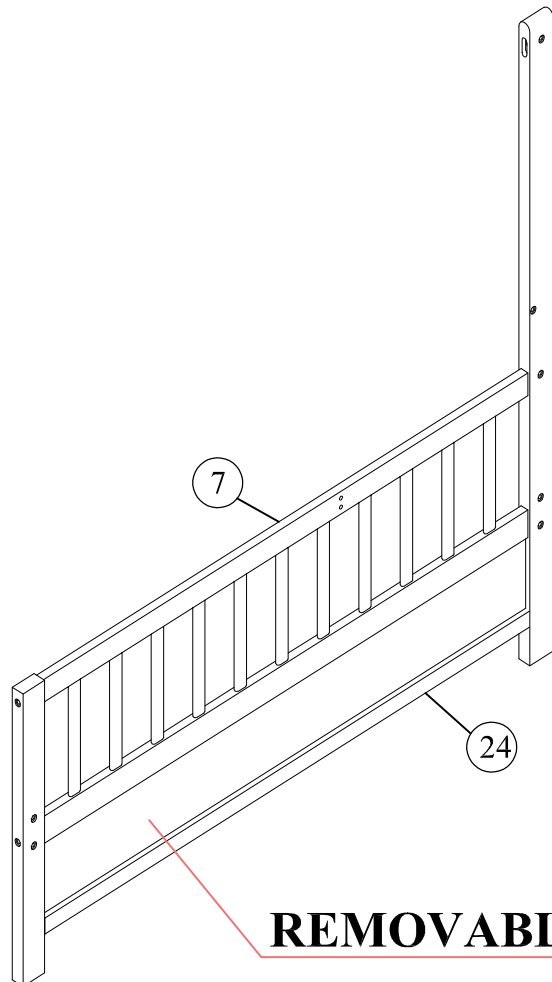


STEP 5:



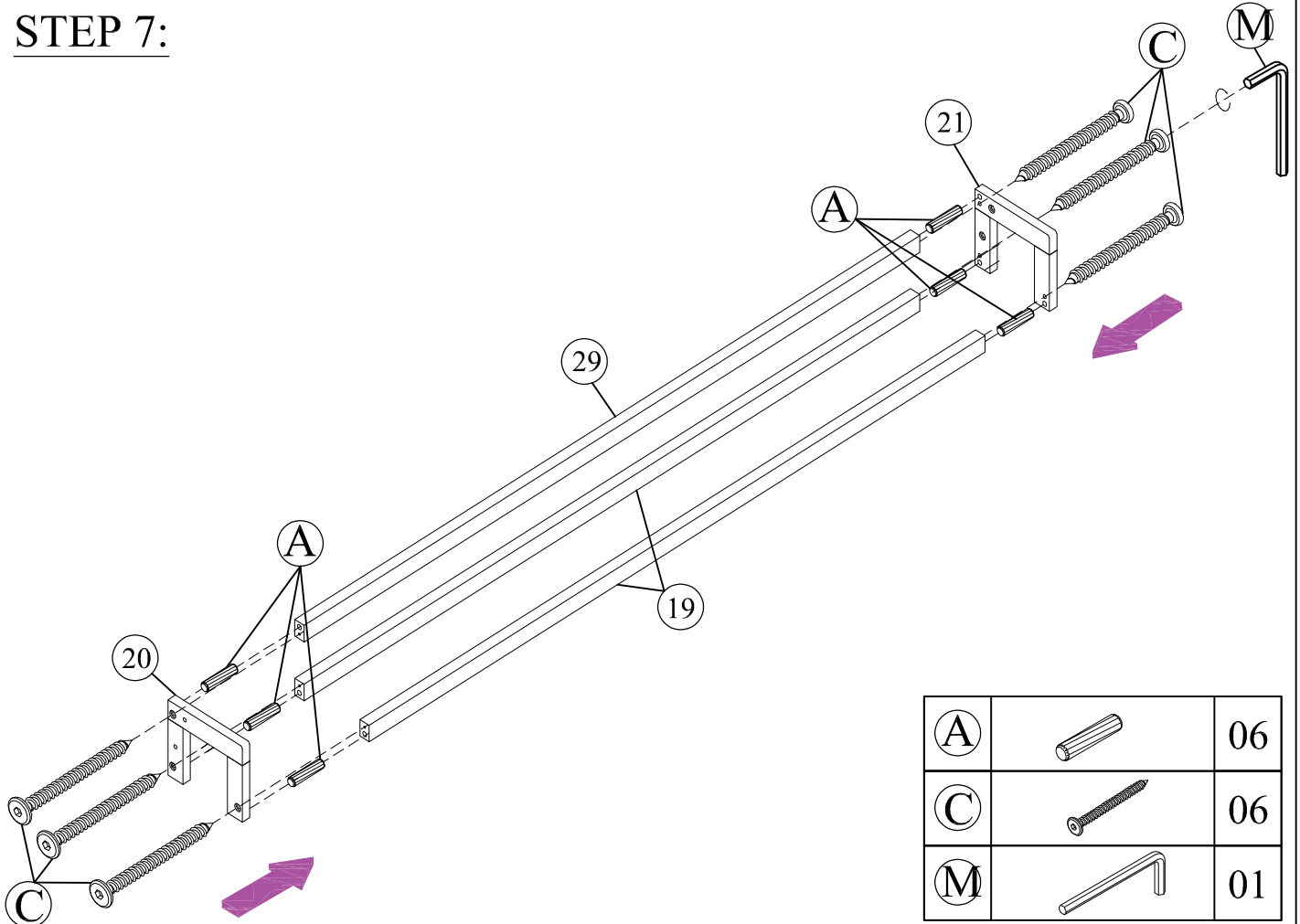
(D)		04
(M)		01

STEP 6:



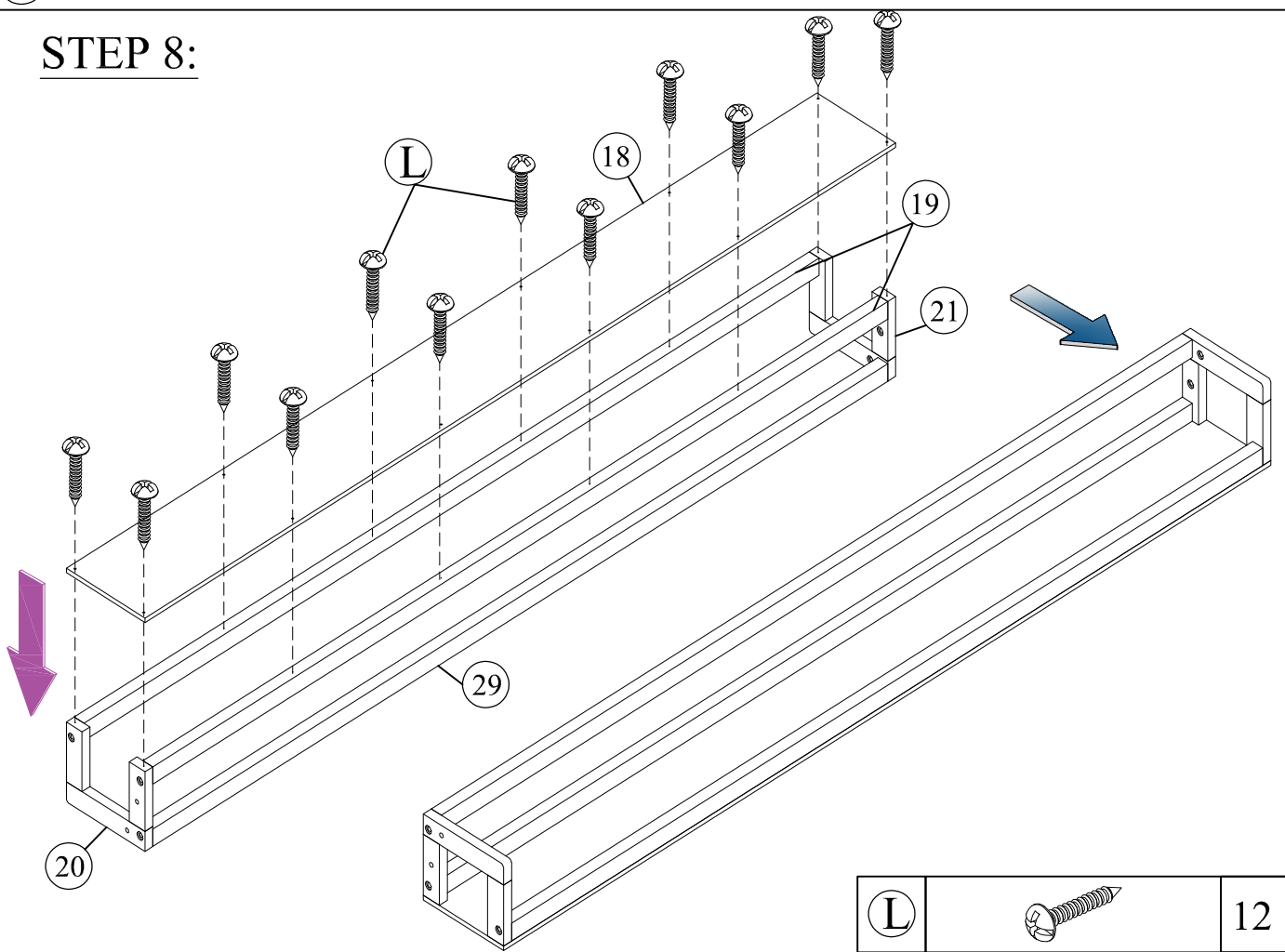
REMOVABLE

STEP 7:



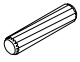
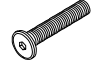


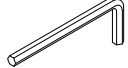
(A)		06
(C)		06
(M)		01

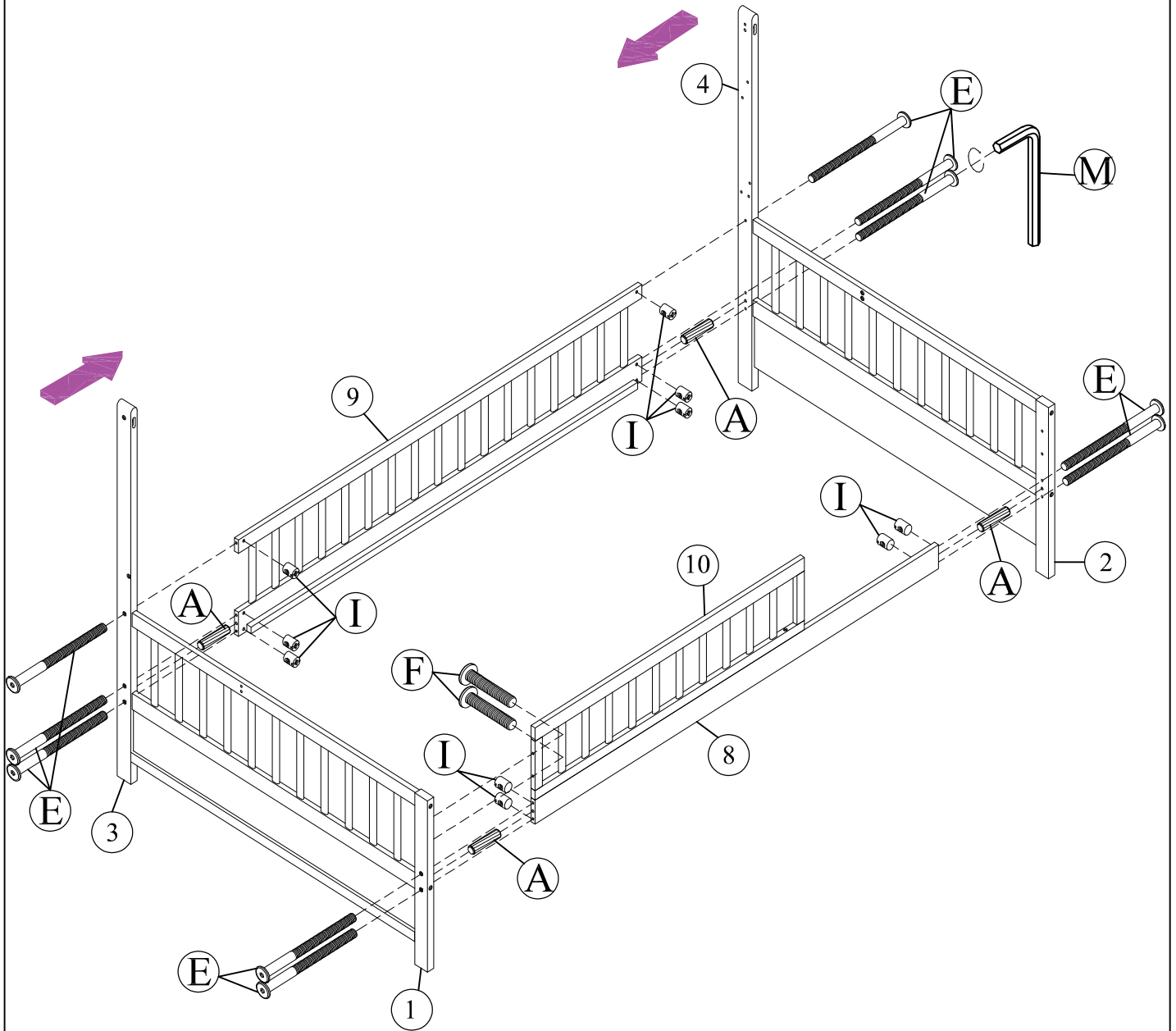
STEP 8:



(L)		12
-----	--	----

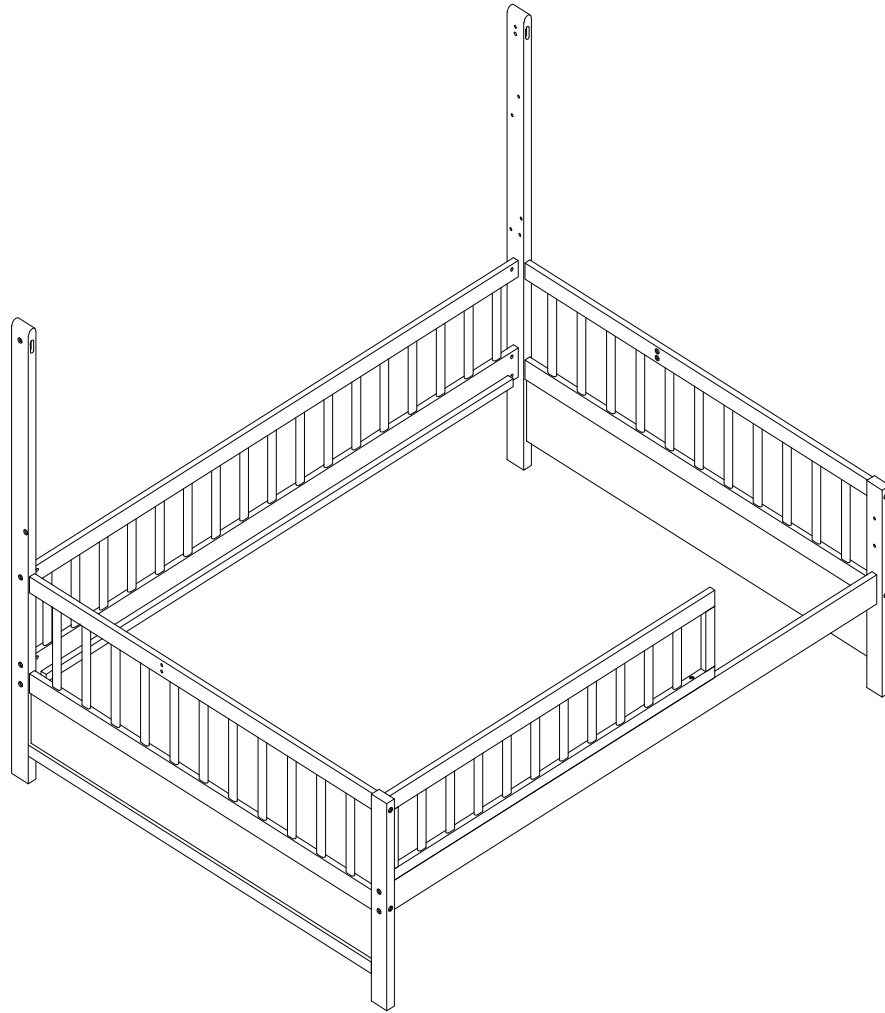
STEP 9:

(A)		04
(F)		02
(E)		10
(I)		10
(M)		01

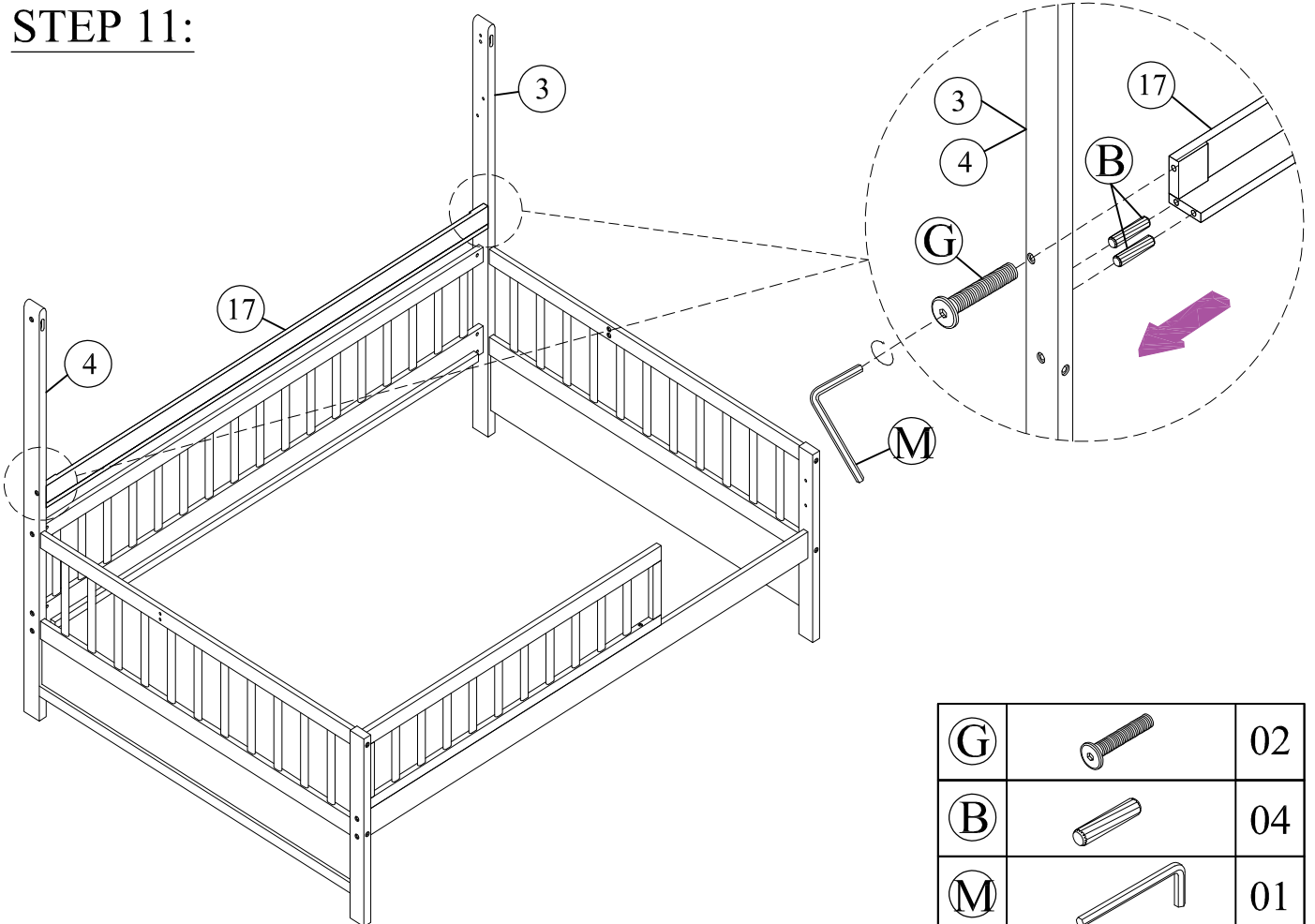


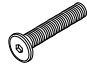
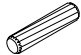
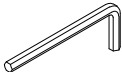
Note :
Do not lock the bolt.

STEP 10:

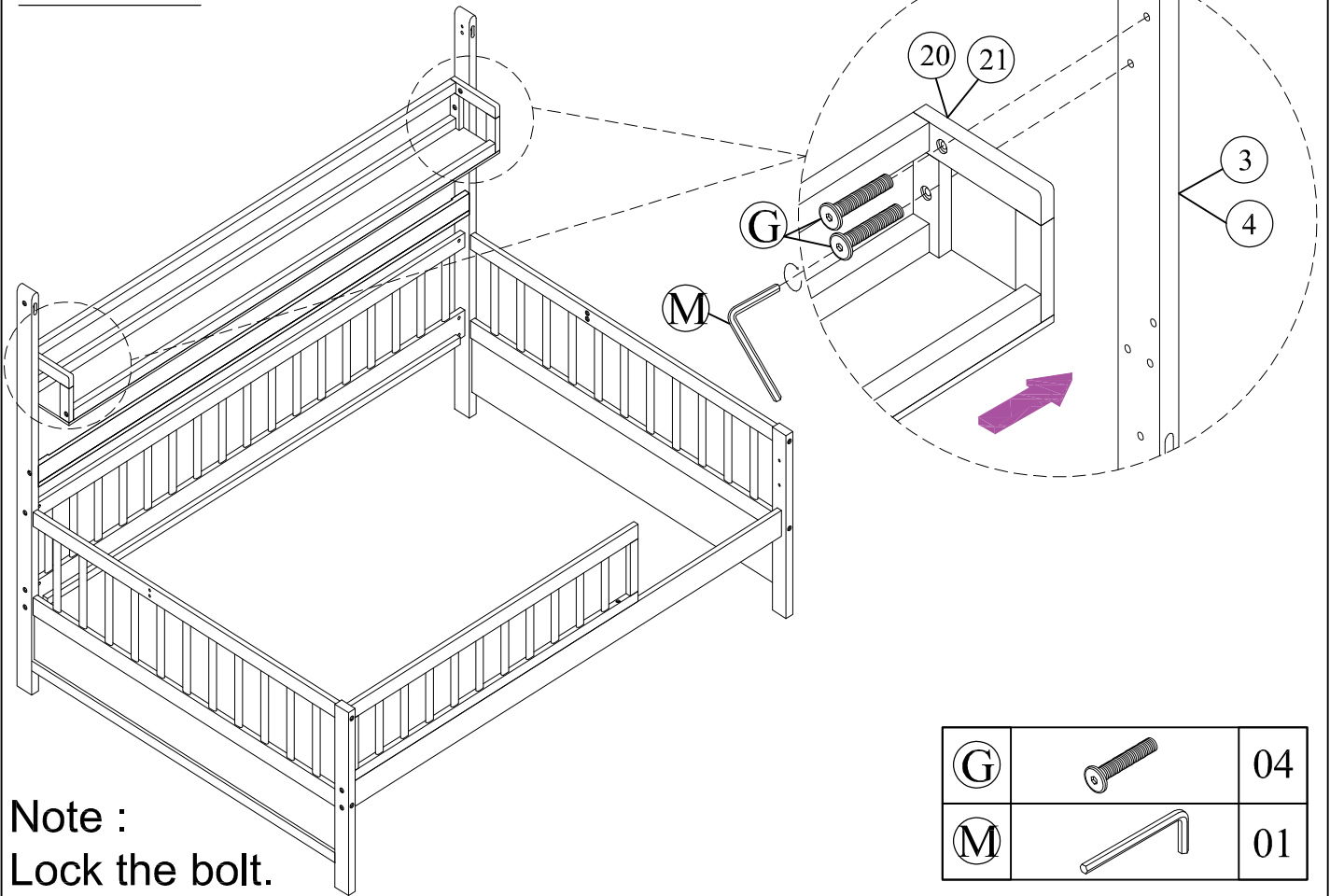


STEP 11:

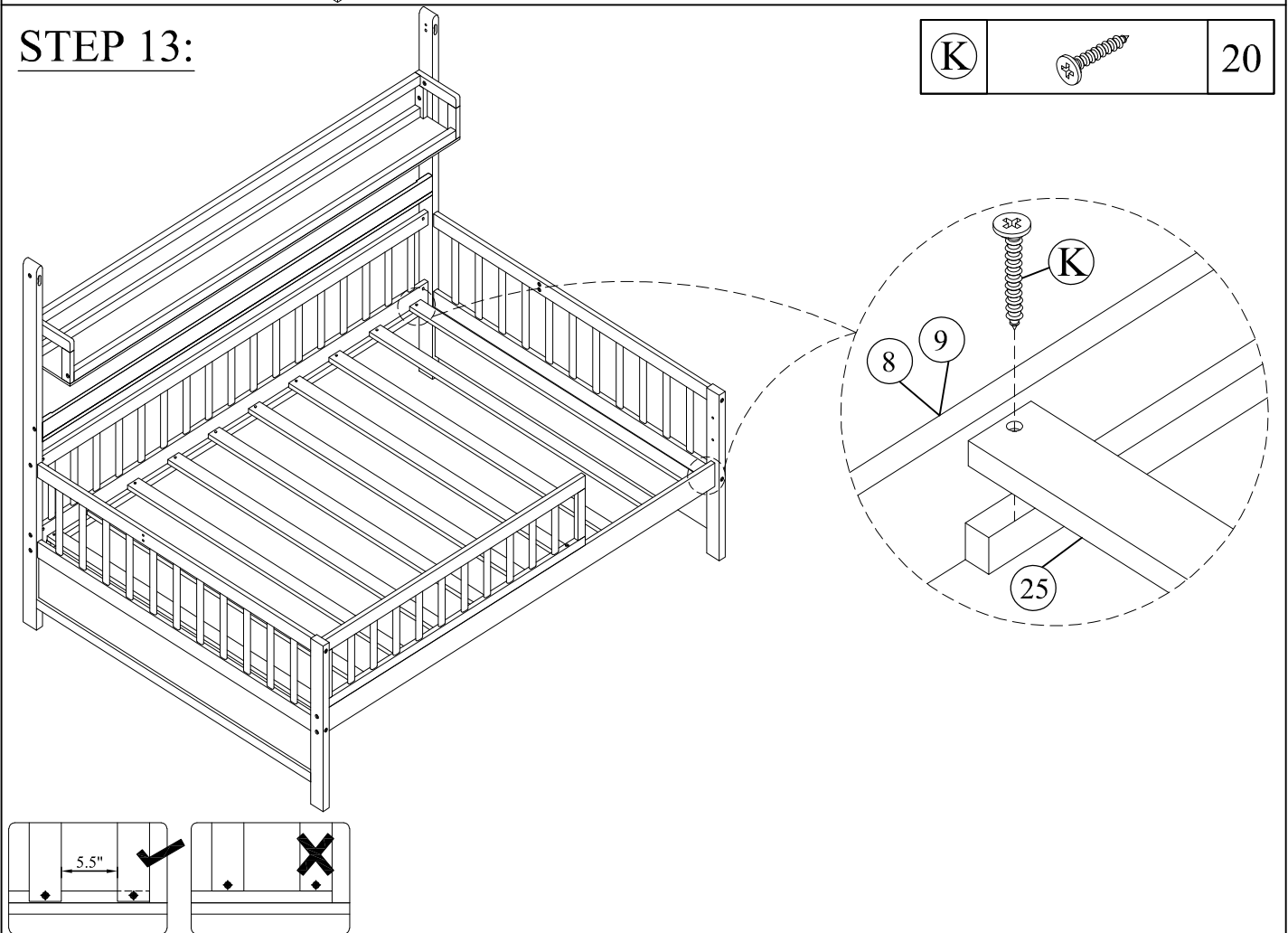


G		02
B		04
M		01

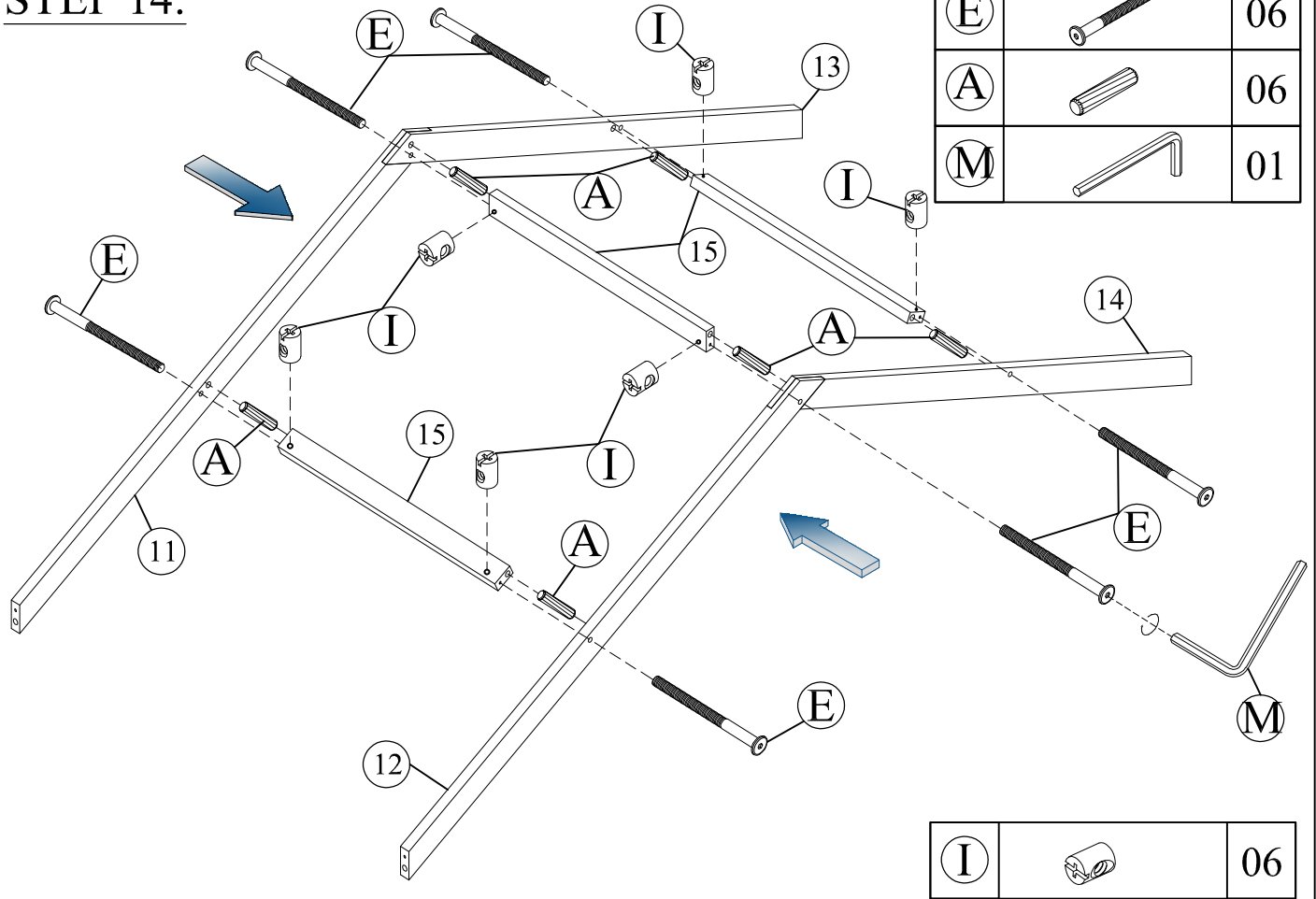
STEP 12:



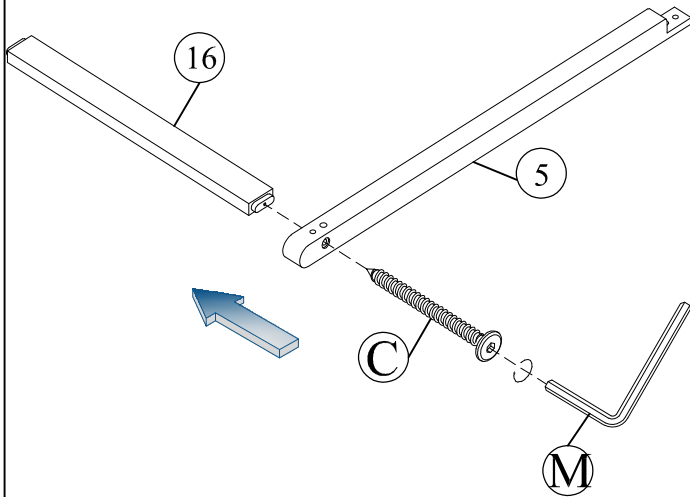
STEP 13:


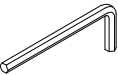


STEP 14:

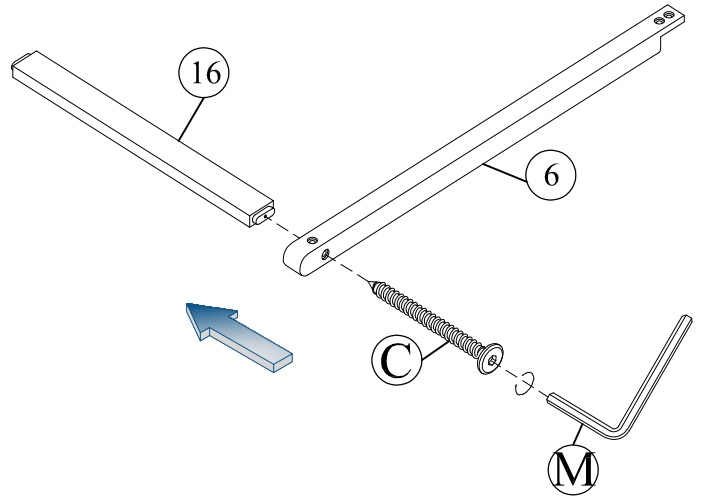



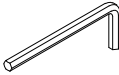
STEP 15:



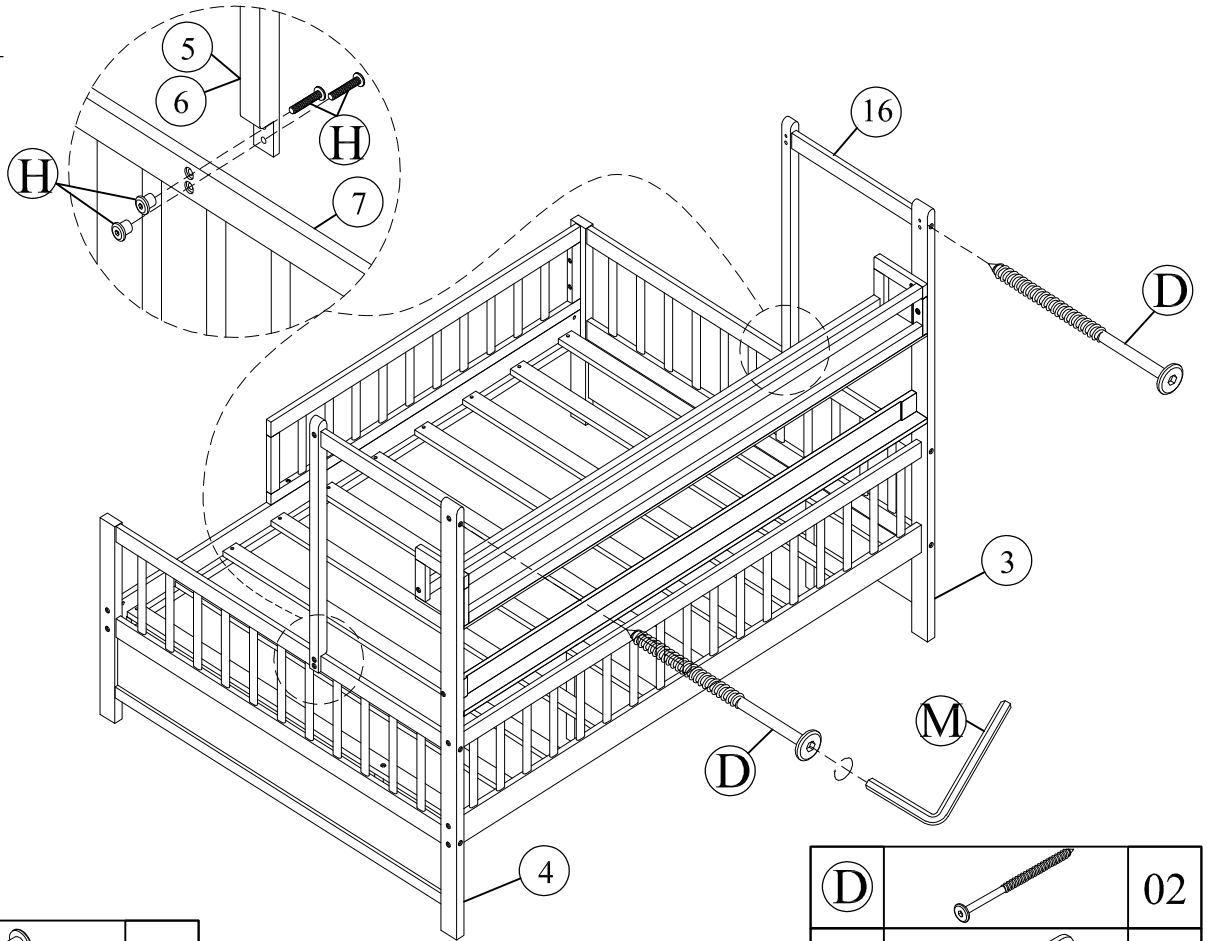
(C)		01
(M)		01

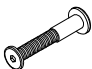
STEP 16:





(C)		01
(M)		01

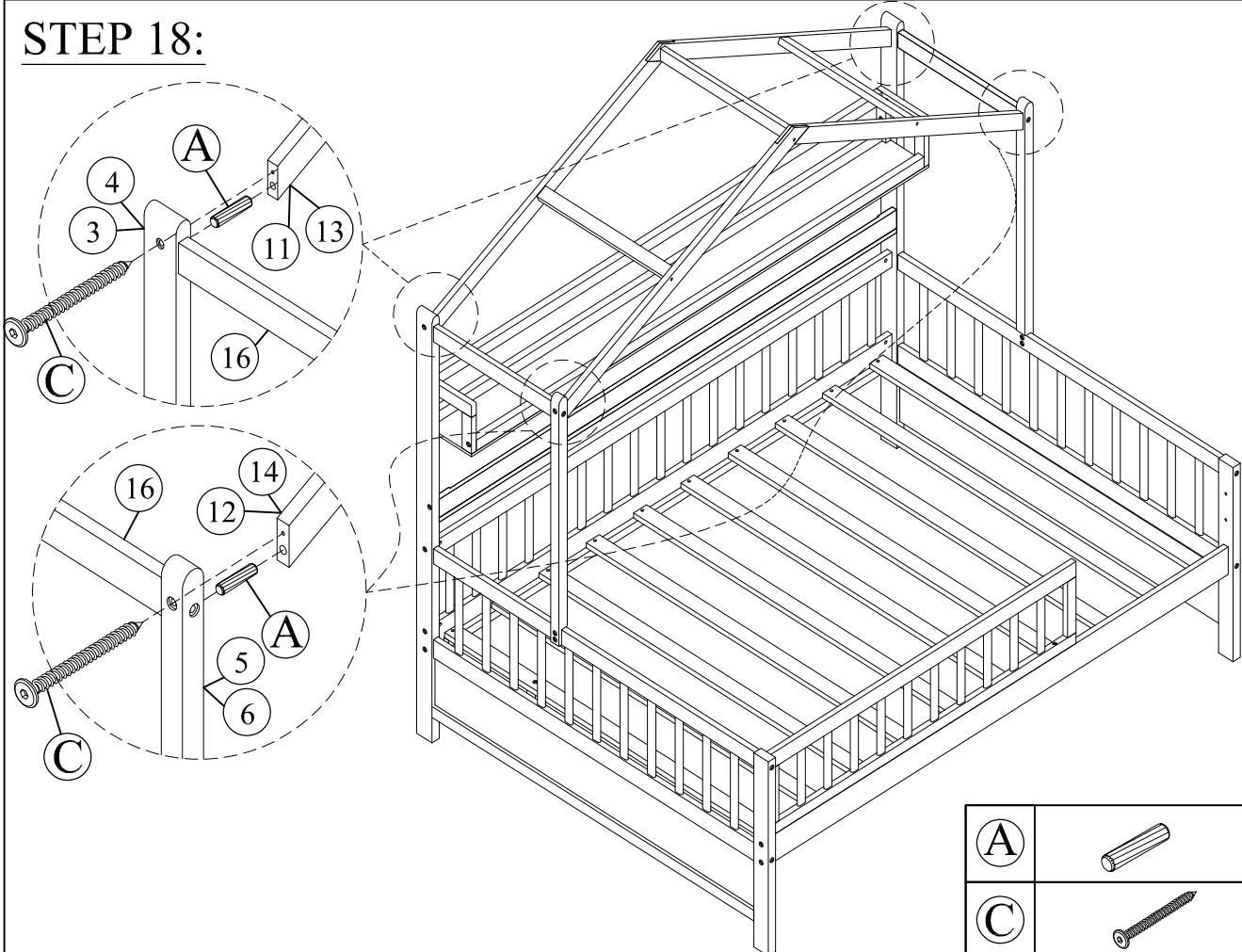
STEP 17:

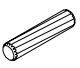



(H)		04
-----	---	----


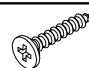
(D)		02
(M)		01

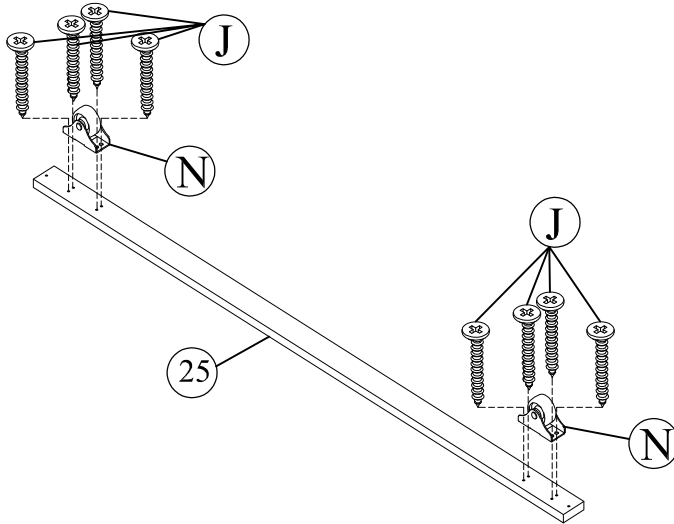
STEP 18:



(A)		04
(C)		04

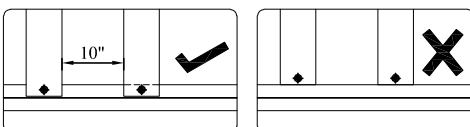
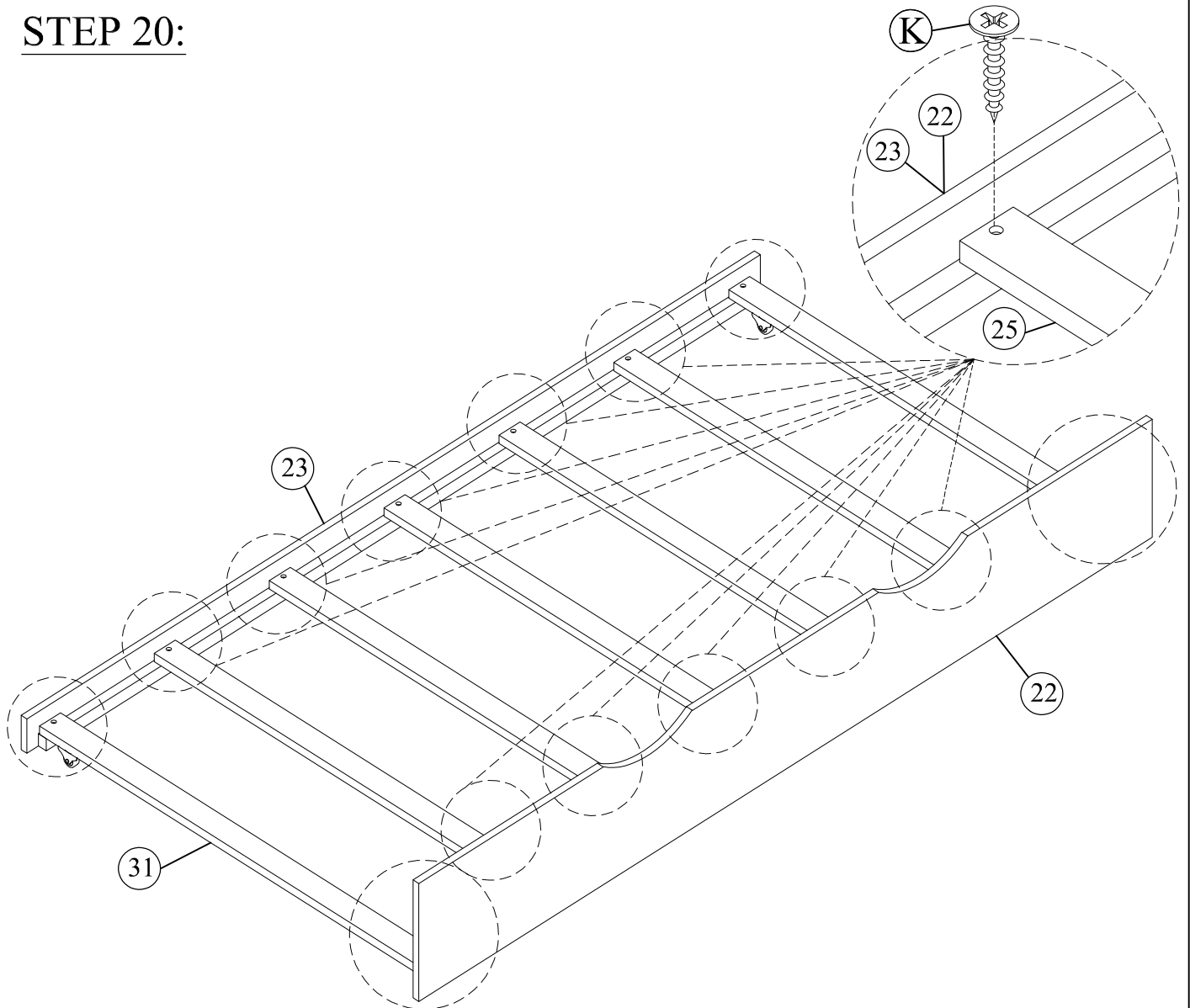
STEP 19:

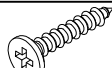
(N)		04
(J)		16




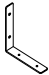
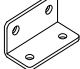
X2

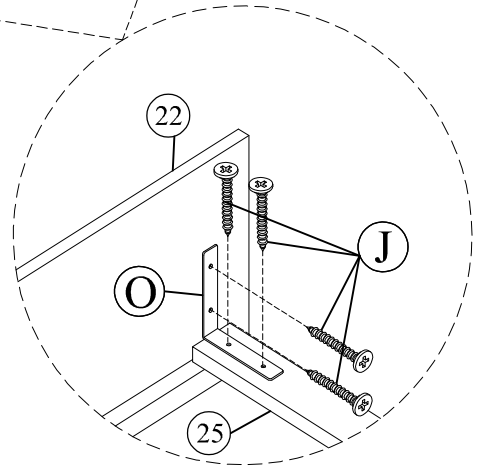
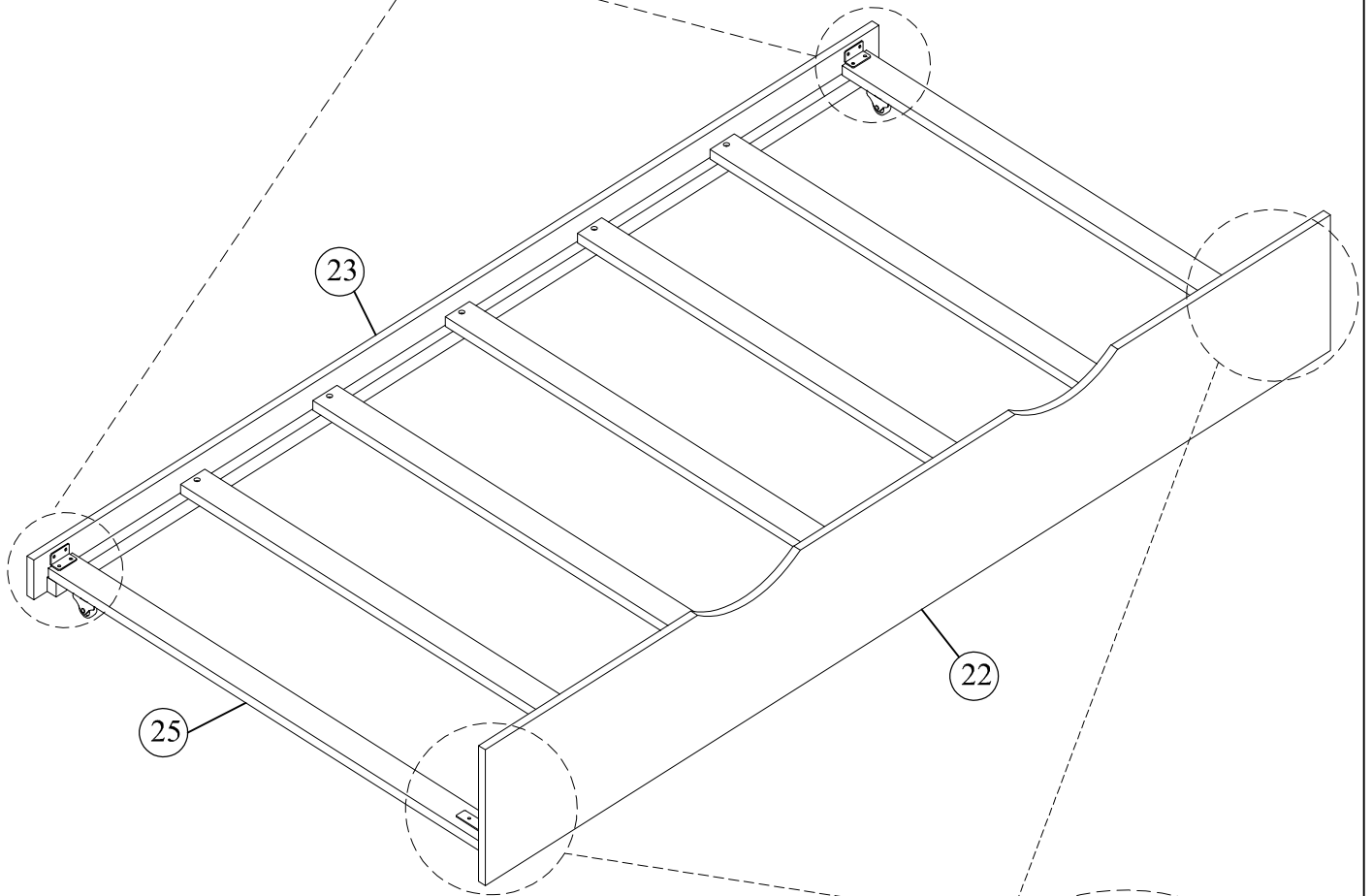
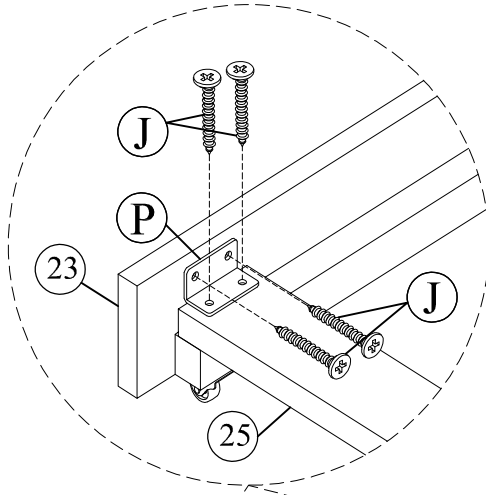
STEP 20:



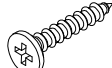
(K)		14
-----	---	----

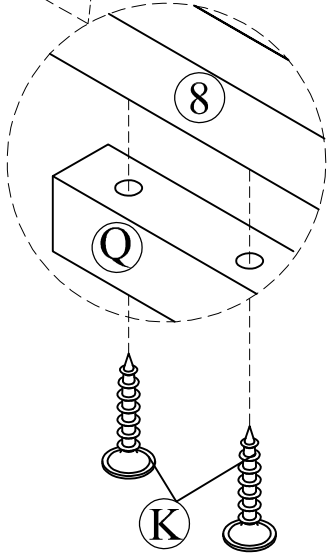
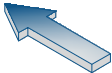
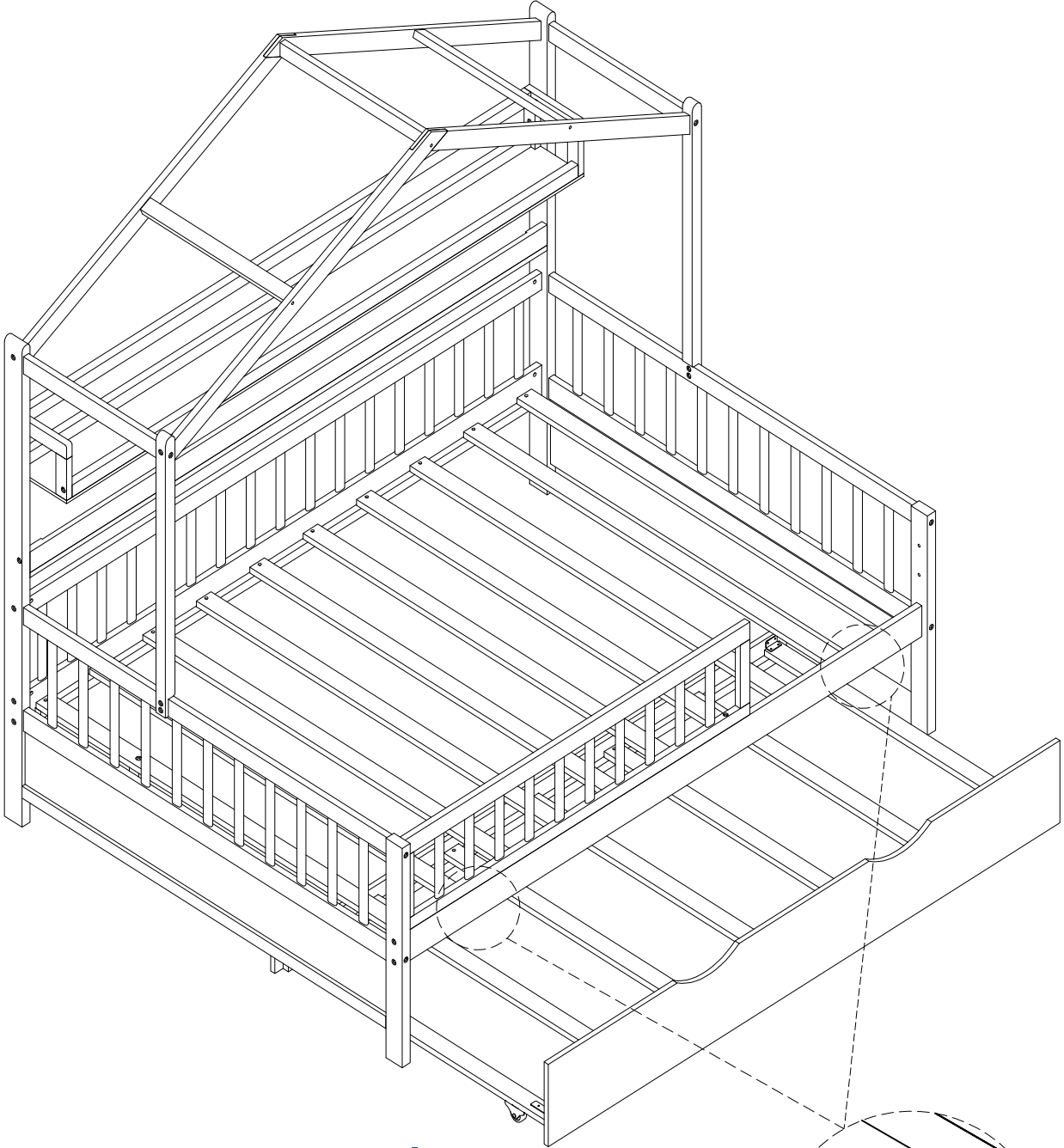
STEP 21:

J		16
O		02
P		02

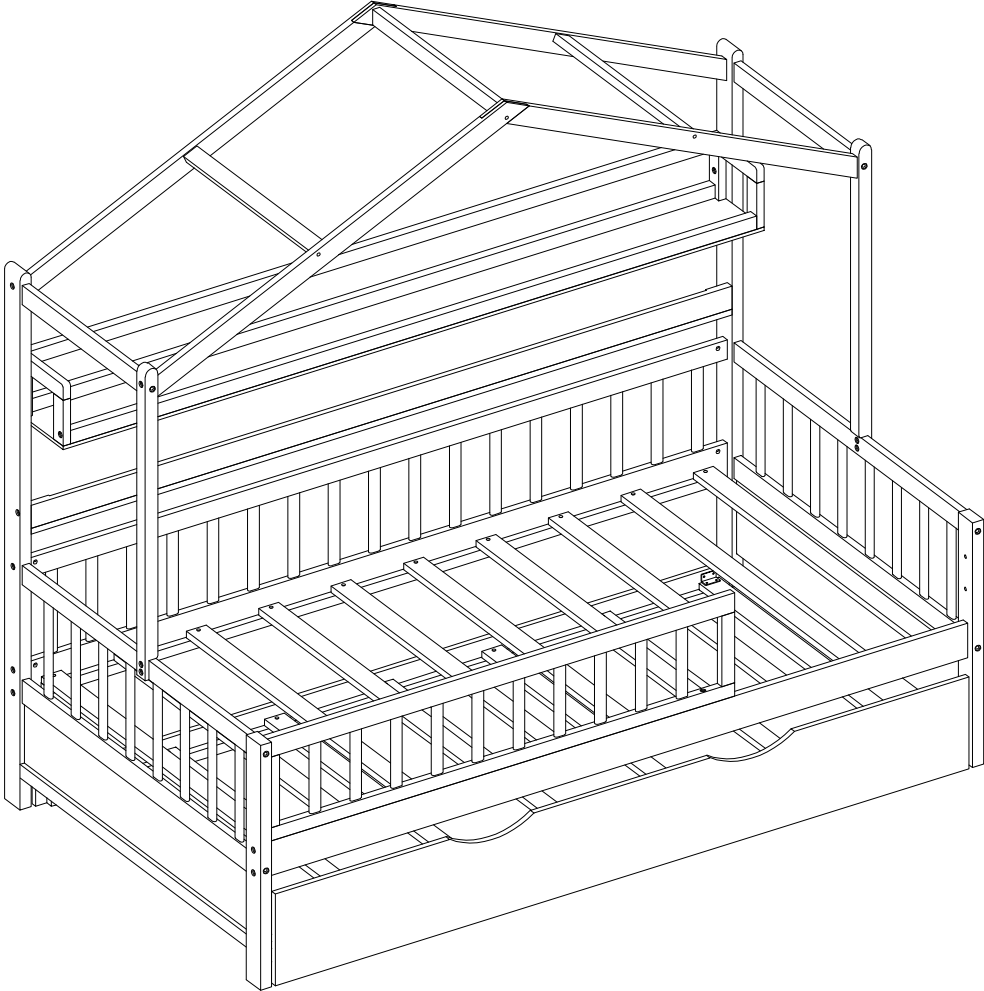


STEP 22:

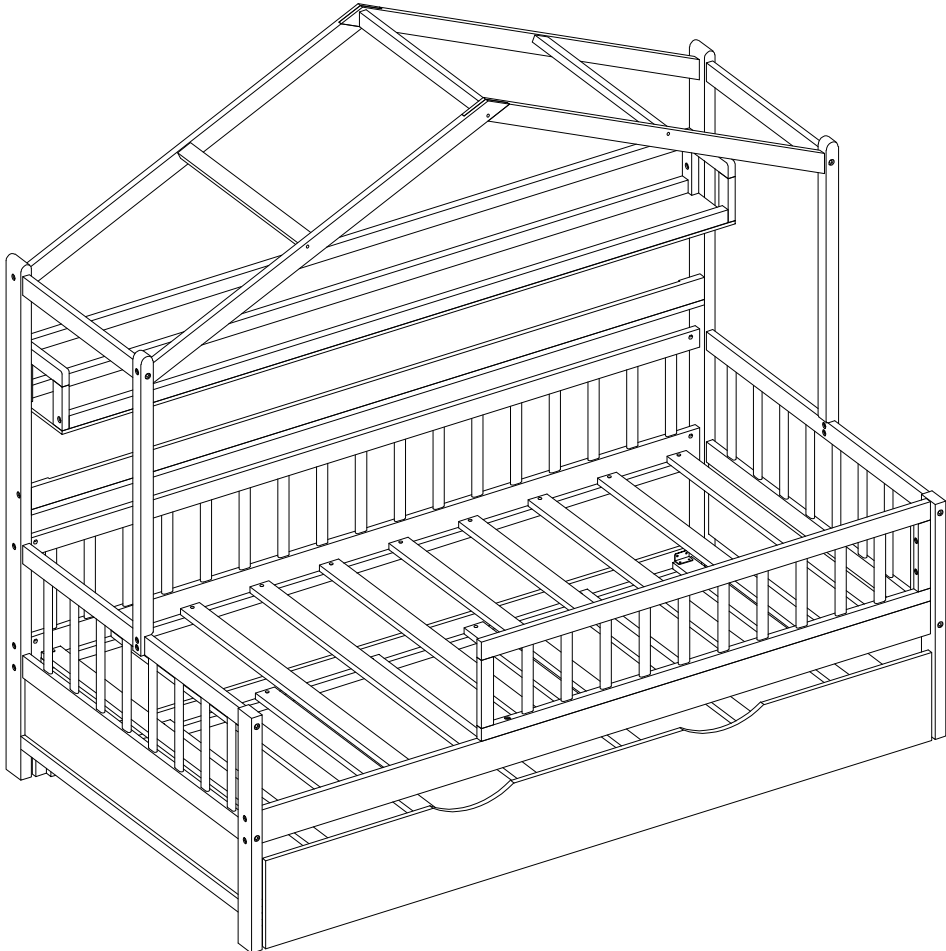
K		04
---	---	----



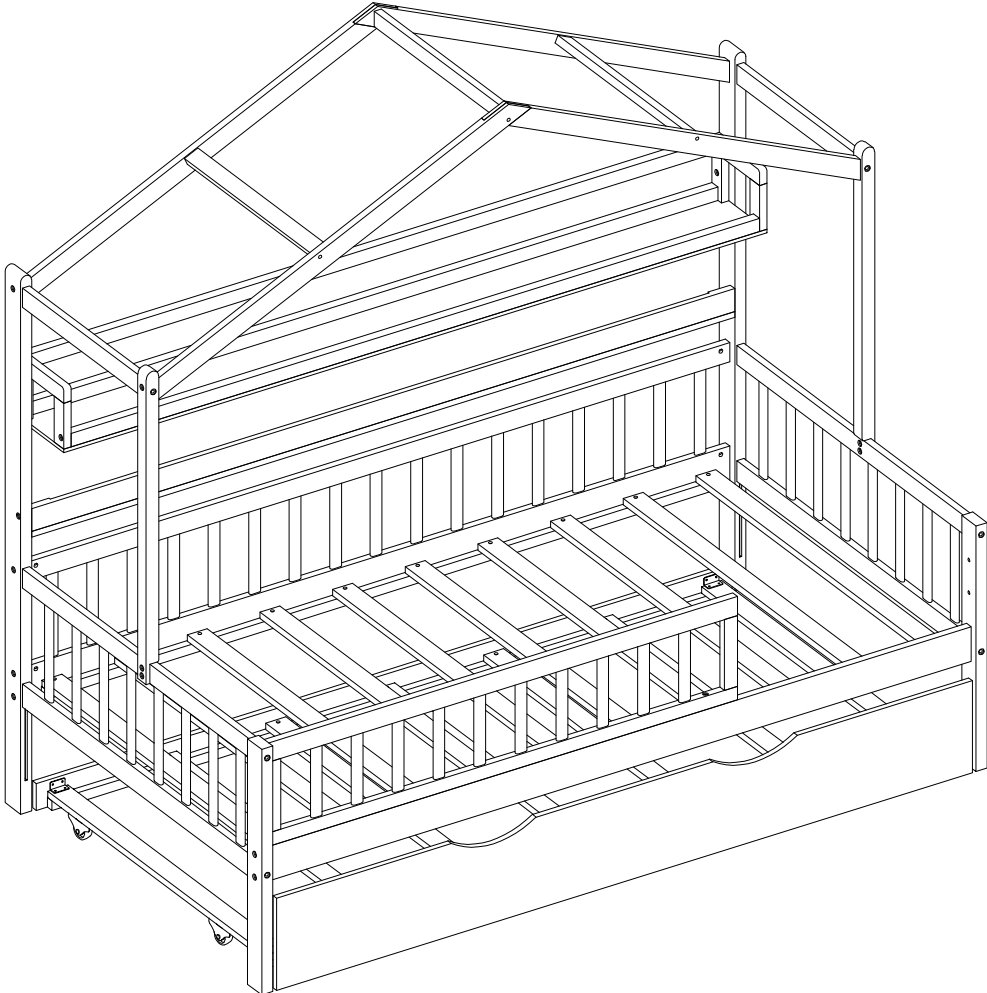
OPTION 1:



OPTION 2:



OPTION 3:



OPTION 4:

