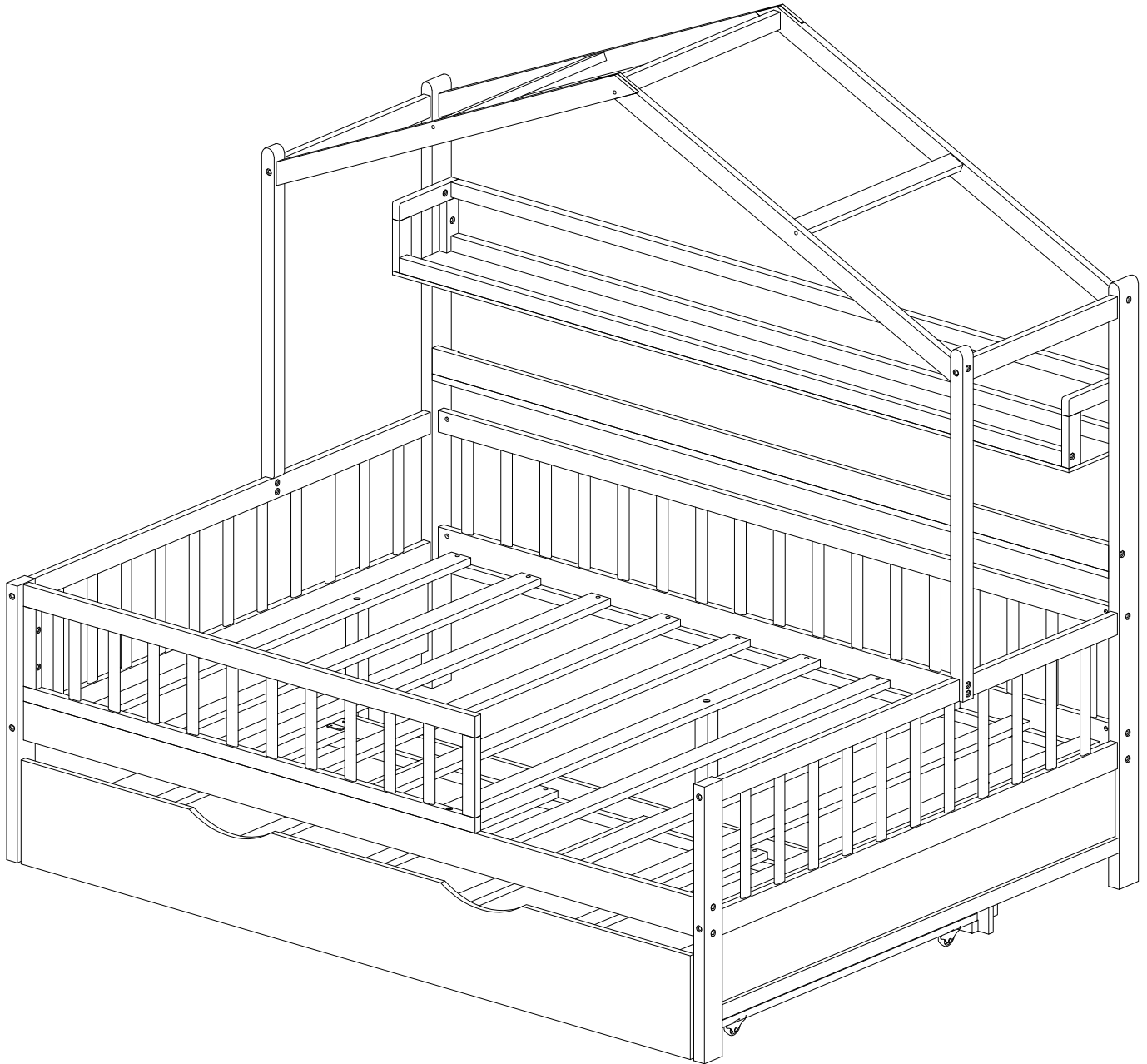
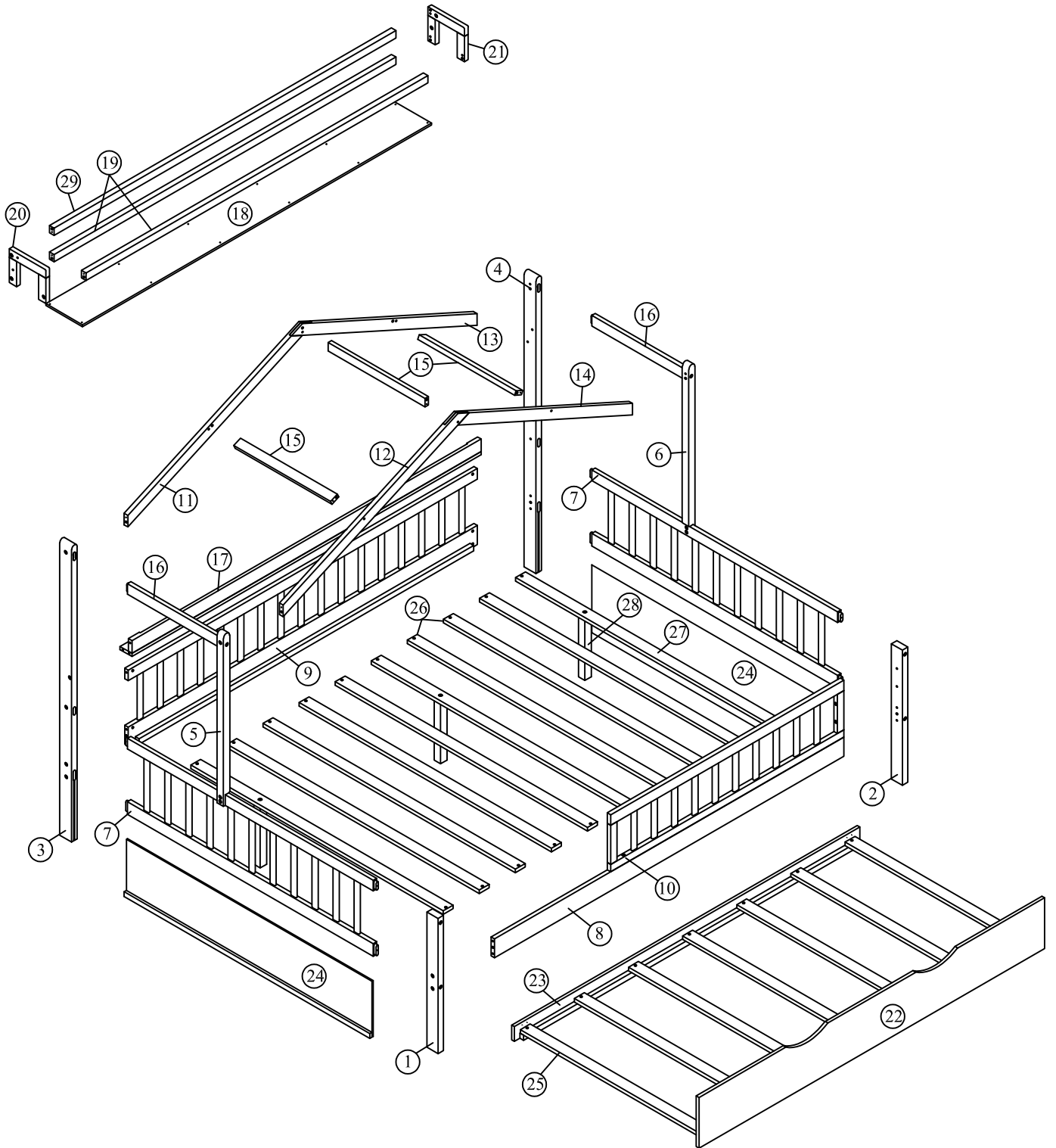


# ASSEMBLY INSTRUCTION

**SKU CODE: WF301683**

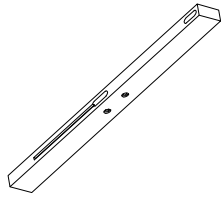


Detail:



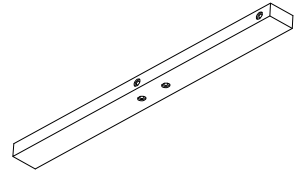
# Part List (WF301683)

① x1



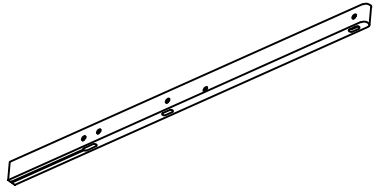
**Front Left Leg**

② x1



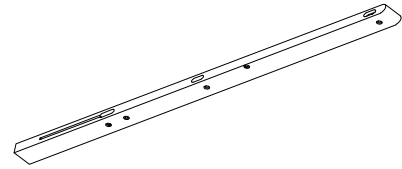
**Front Right Leg**

③ x1



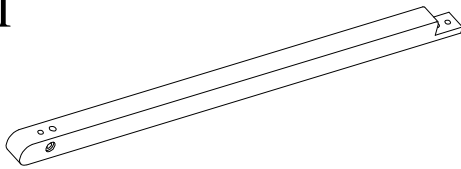
**Back Left Leg**

④ x1



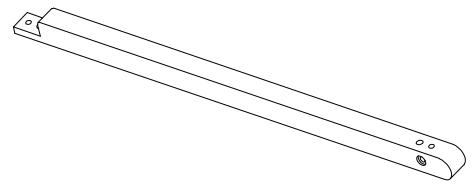
**Back Right Leg**

⑤ x1



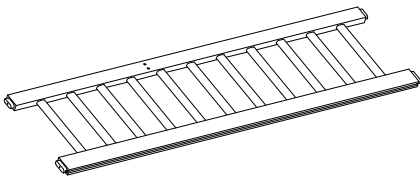
**Mid (Left) Leg**

⑥ x1



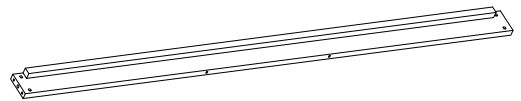
**Mid (Right) Leg**

⑦ x2



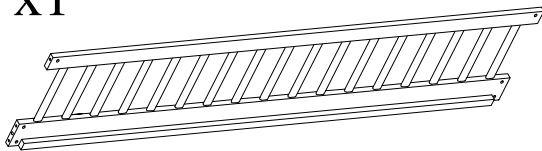
**Frames Headboards**

⑧ x1



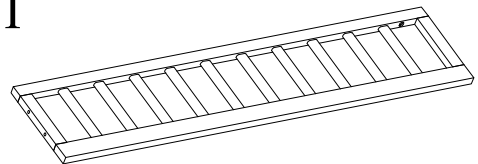
**Side Rail**

⑨ x1



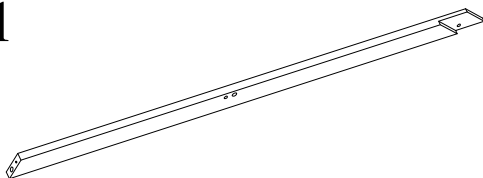
**Side Rail**

⑩ x1



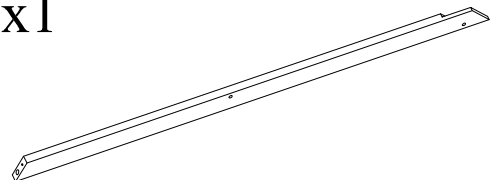
**Side Rail Guards**

⑪ x1



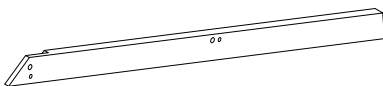
**Back Left Roof Rail**

⑫ x1



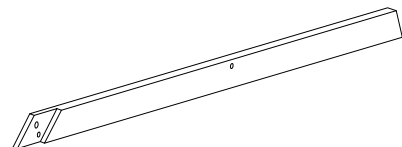
**Front Left Roof Rail**

⑬ x1



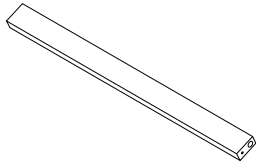
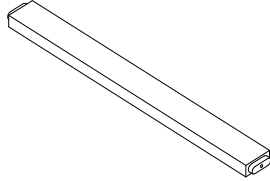
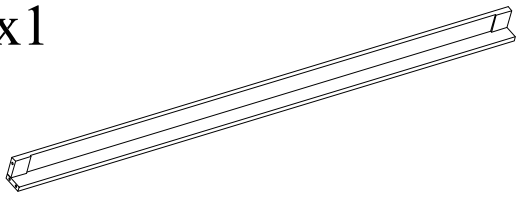
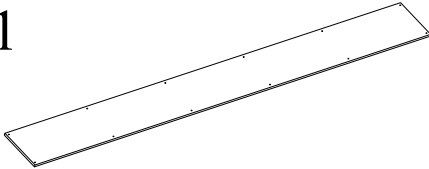

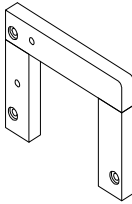

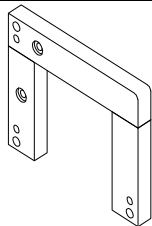
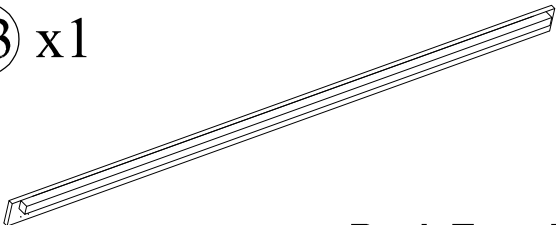
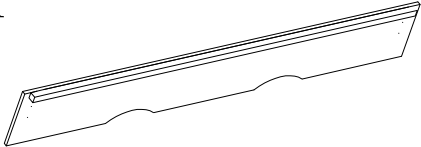
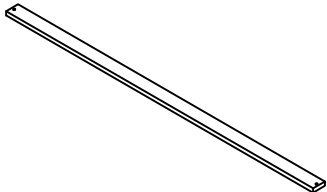

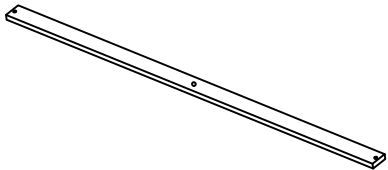
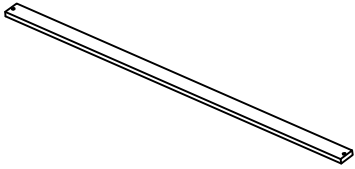

**Back Right Roof Rail**

⑭ x1

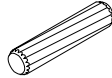
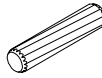
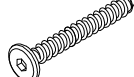


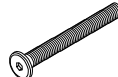
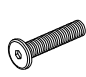



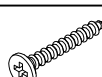
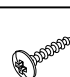

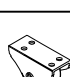

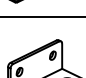
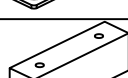


**Front Right Roof Rail**

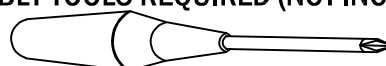
## Part List (WF301683)

<p><b>15</b> x3</p>  <p style="text-align: center;"><b>Roof Rail</b></p>	<p><b>16</b> x2</p>  <p style="text-align: center;"><b>Top Guard</b></p>
<p><b>17</b> x1</p>  <p style="text-align: center;"><b>Small Shelf</b></p>	<p><b>18</b> x1</p>  <p style="text-align: center;"><b>Bottom Shelf Big</b></p>
<p><b>19</b> x2</p>  <p style="text-align: center;"><b>Bottom Sheft Guard</b></p>	<p><b>20</b> x1</p>  <p style="text-align: center;"><b>(Left) Side Shelf</b></p>
<p><b>29</b> x1</p>  <p style="text-align: center;"><b>Back (Shelf) Guard</b></p>	<p><b>21</b> x2</p>  <p style="text-align: center;"><b>(Right) Side Shelf</b></p>
<p><b>23</b> x1</p>  <p style="text-align: center;"><b>Back Trundle</b></p>	<p><b>22</b> x1</p>  <p style="text-align: center;"><b>Front Drawer</b></p>
<p><b>25</b> x7</p>  <p style="text-align: center;"><b>Slats Trundle</b></p>	<p><b>24</b> x2</p>  <p style="text-align: center;"><b>Panel Frames Headboard - Footboard</b></p>
<p><b>27</b> x3</p>  <p style="text-align: center;"><b>Slats</b></p>	<p><b>26</b> x7</p>  <p style="text-align: center;"><b>Slats</b></p>
<p><b>28</b> x3</p>  <p style="text-align: center;"><b>Support Legs</b></p>	


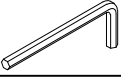
## Hardware List (WF301683)

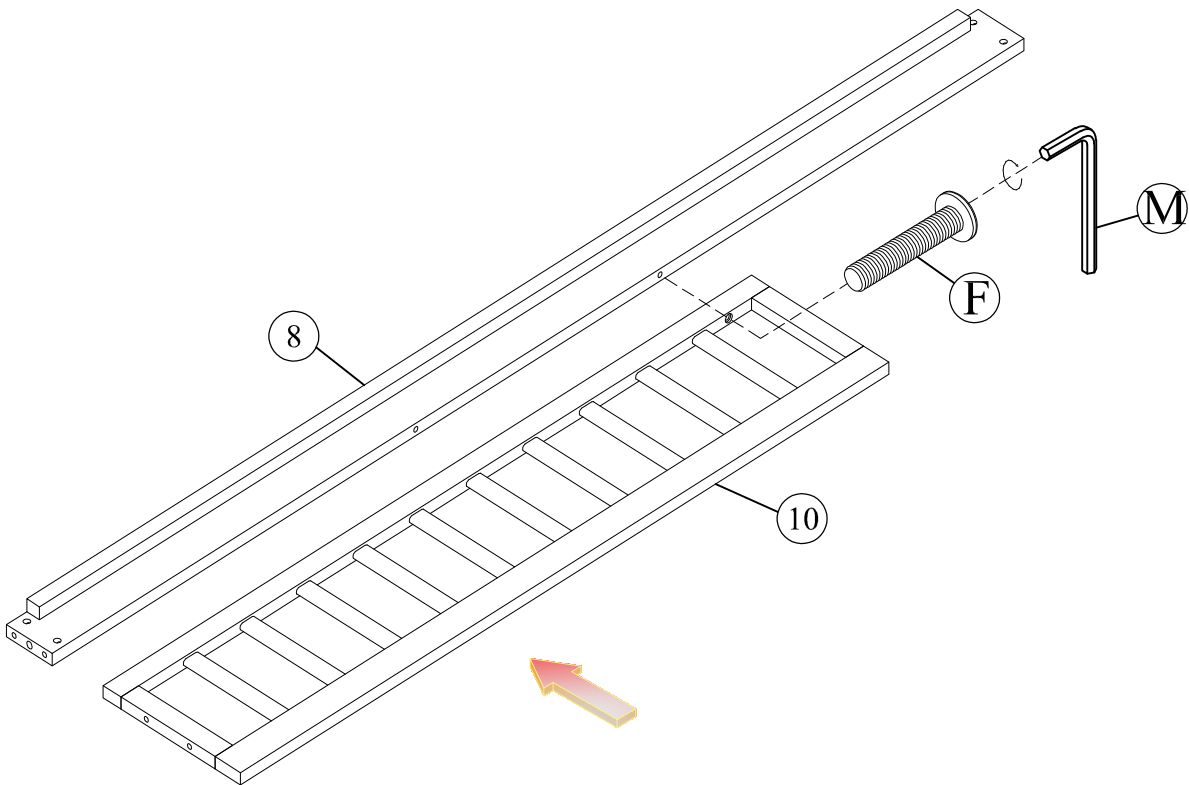
No.	OUTLOOK	DESC	QTY
(A)		Dowel Ø10*40mm	20
(B)		Dowel Ø8*30mm	04
(C)		Screws Ø6.5*50mm	12
(D)		Screws Ø6.5*70mm	10
(E)		Bolts 1/4"*70mm	16
(F)		Bolts 1/4"*50mm	03
(G)		Bolts 1/4"*35mm	09
(H)		Bolts 1/4"*25mm	04
(I)		Cross dowel 1/4"*13mm	16
(J)		Screws #7*12mm	32
(K)		Flat head screw #8*25mm	38
(L)		Round head screw #8*20mm	12
(M)		Allen key 60*22*4mm	01
(N)		Wheels	04
(O)		Base L Big	02
(P)		Base L small	02
(Q)		Stop Wood	02

ASSEMBLY TOOLS REQUIRED (NOT INCLUDED)

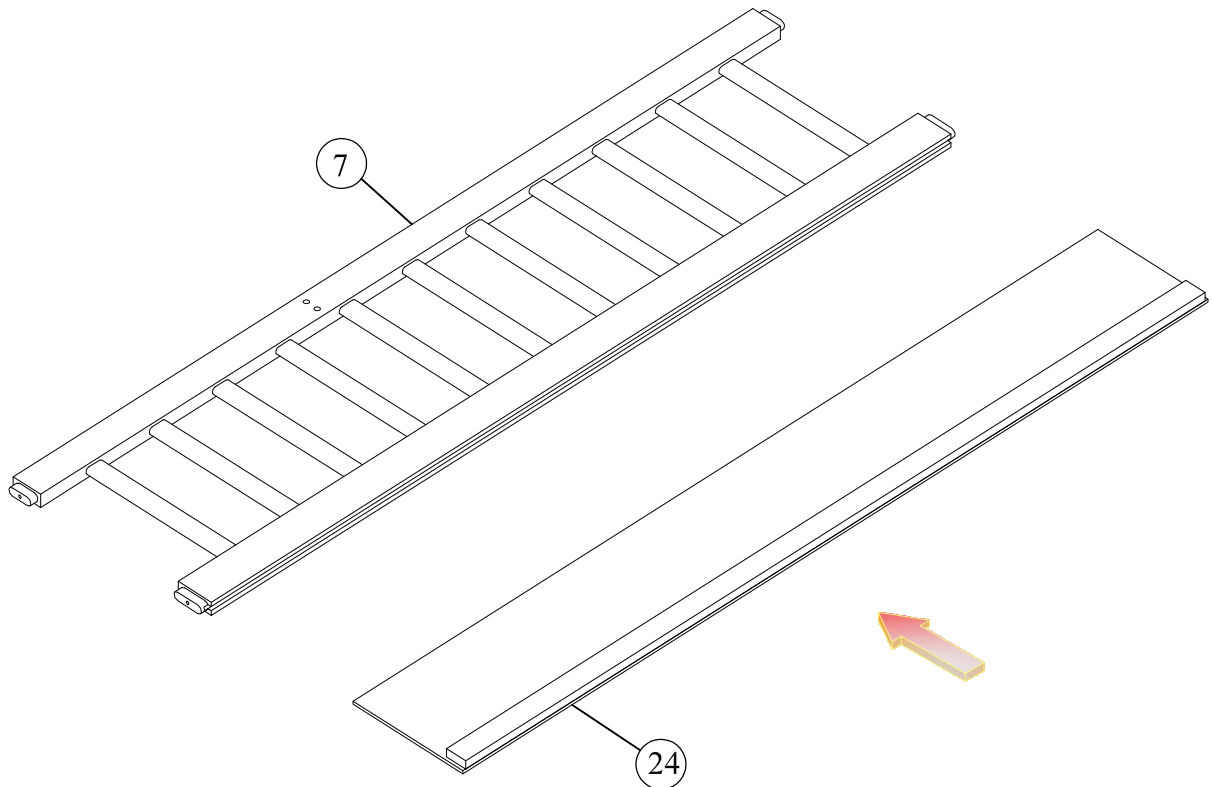


**STEP 1:**

(F)		01
(M)		01

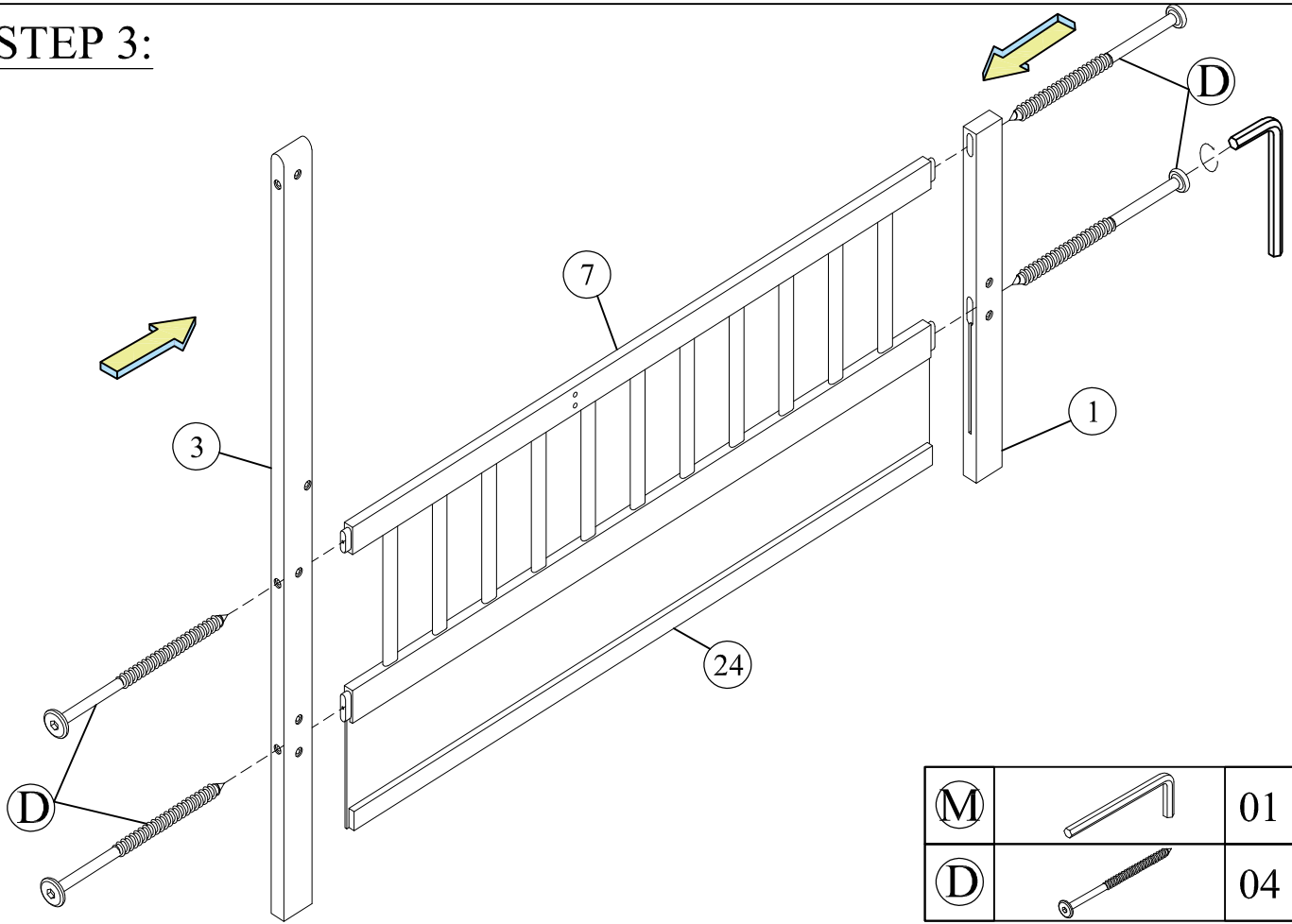


**STEP 2:**



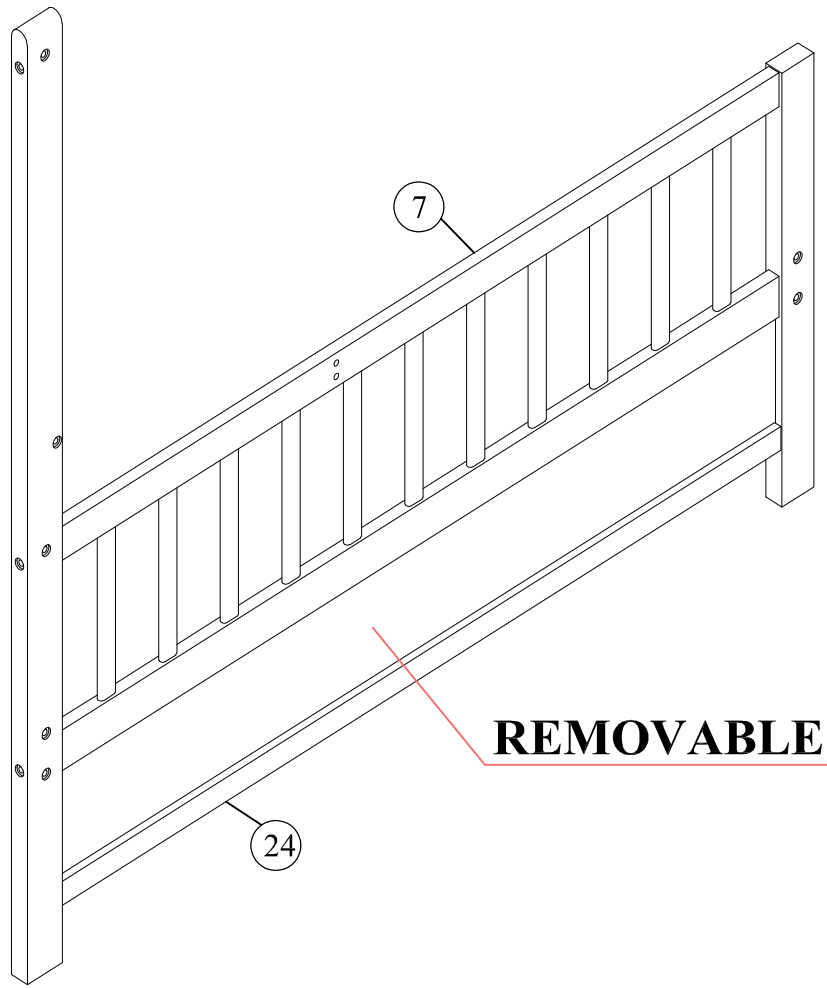
X2

**STEP 3:**

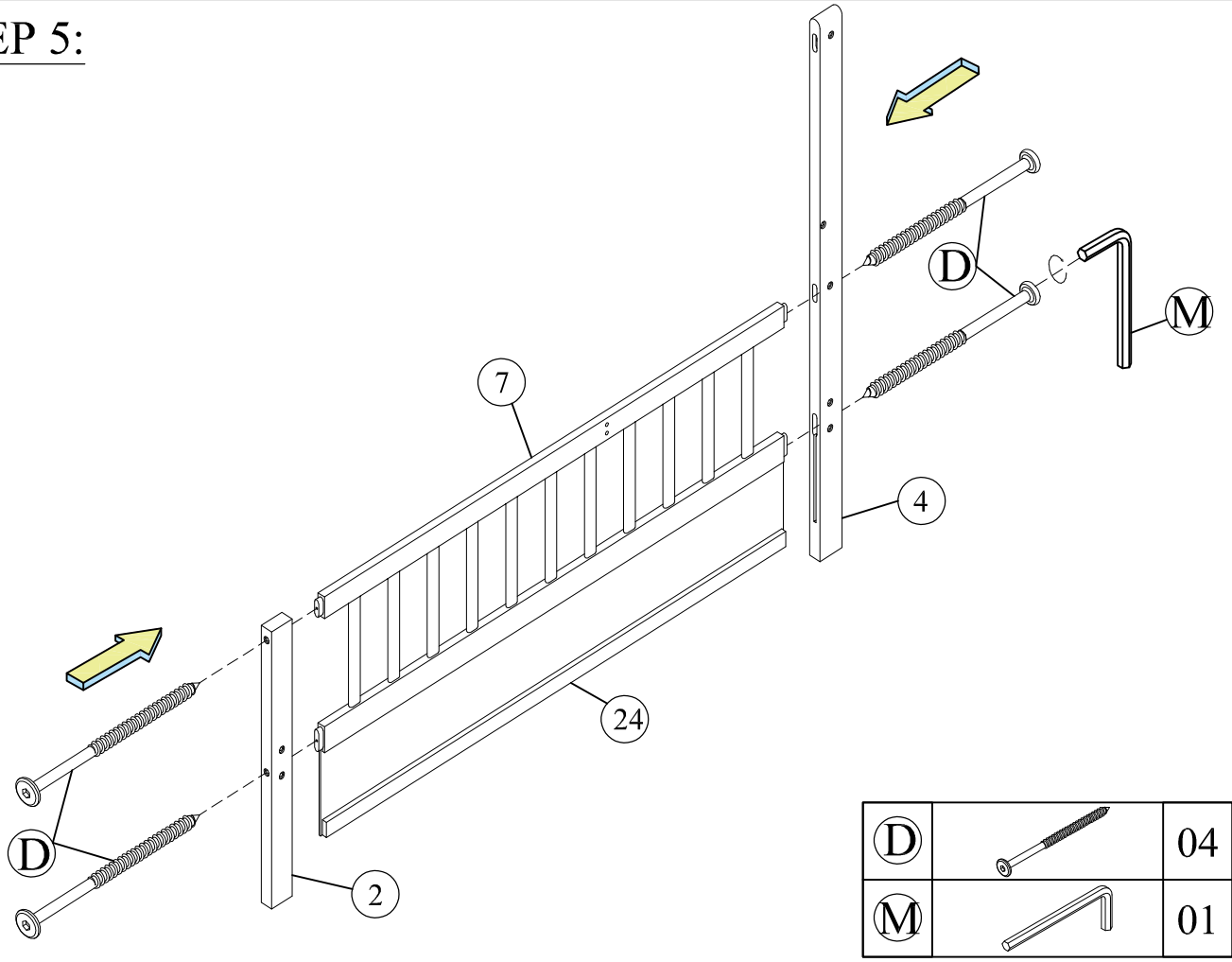


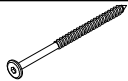
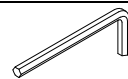
(M)		01
(D)		04

**STEP 4:**

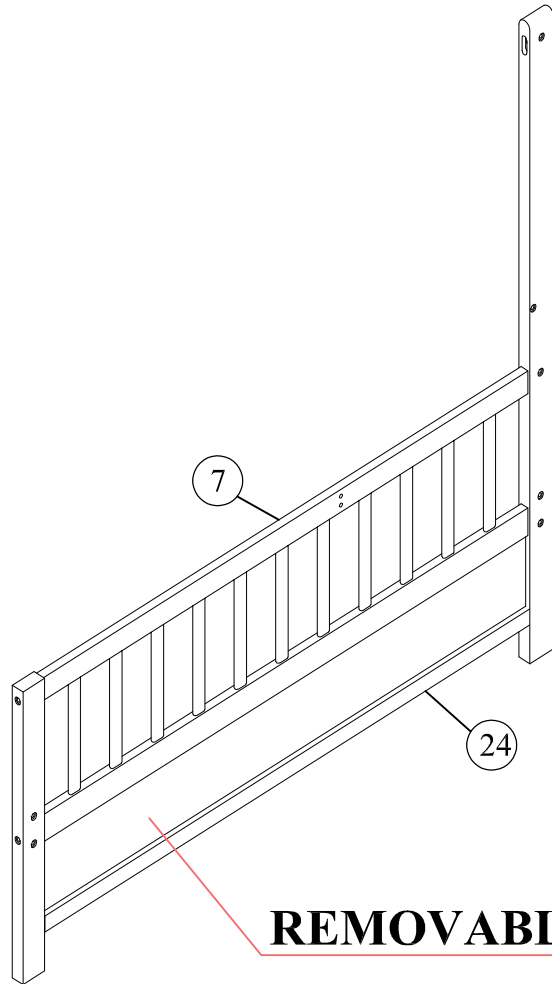


**STEP 5:**



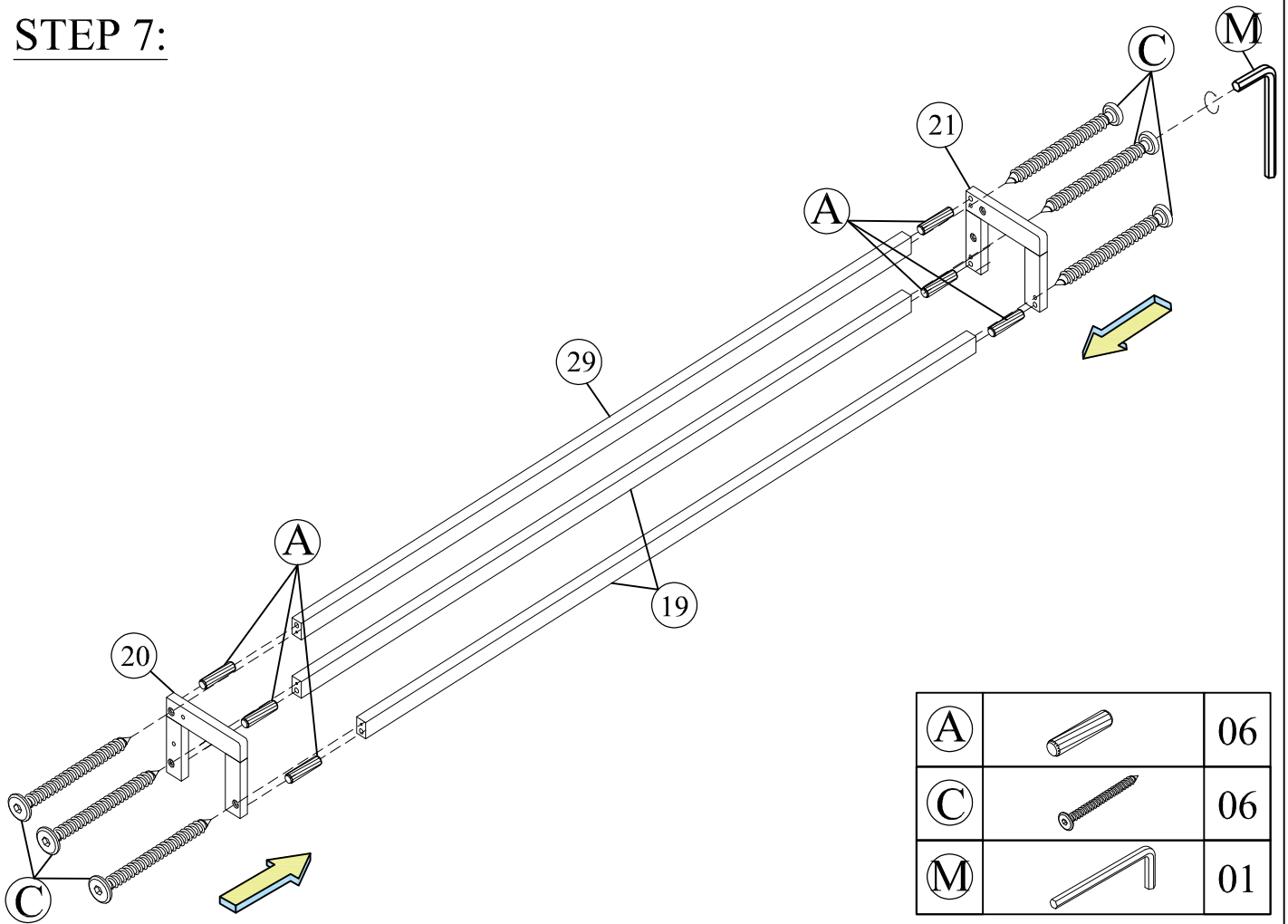
D		04
M		01

**STEP 6:**



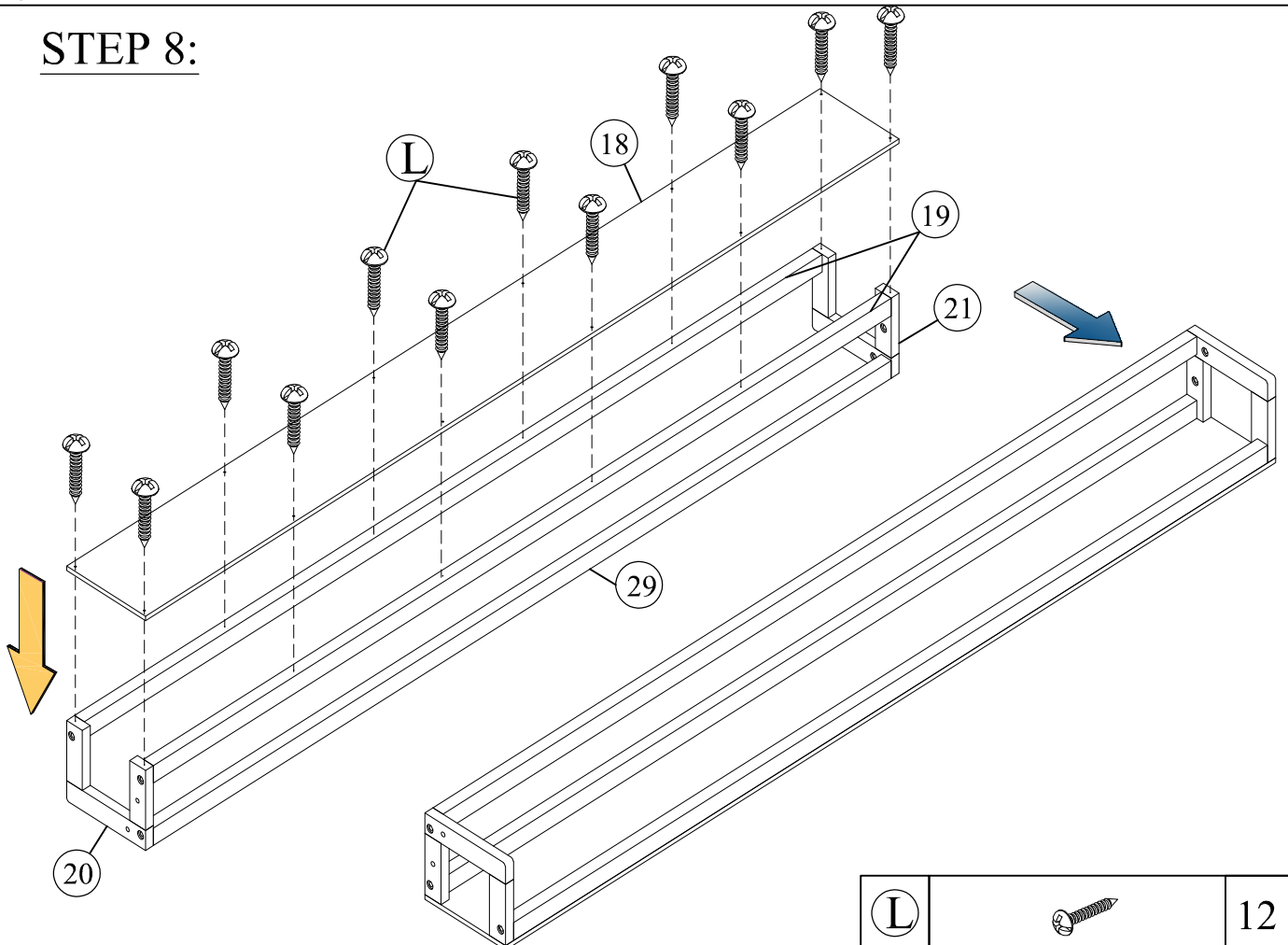


**STEP 7:**



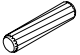

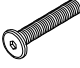


(A)		06
(C)		06
(M)		01

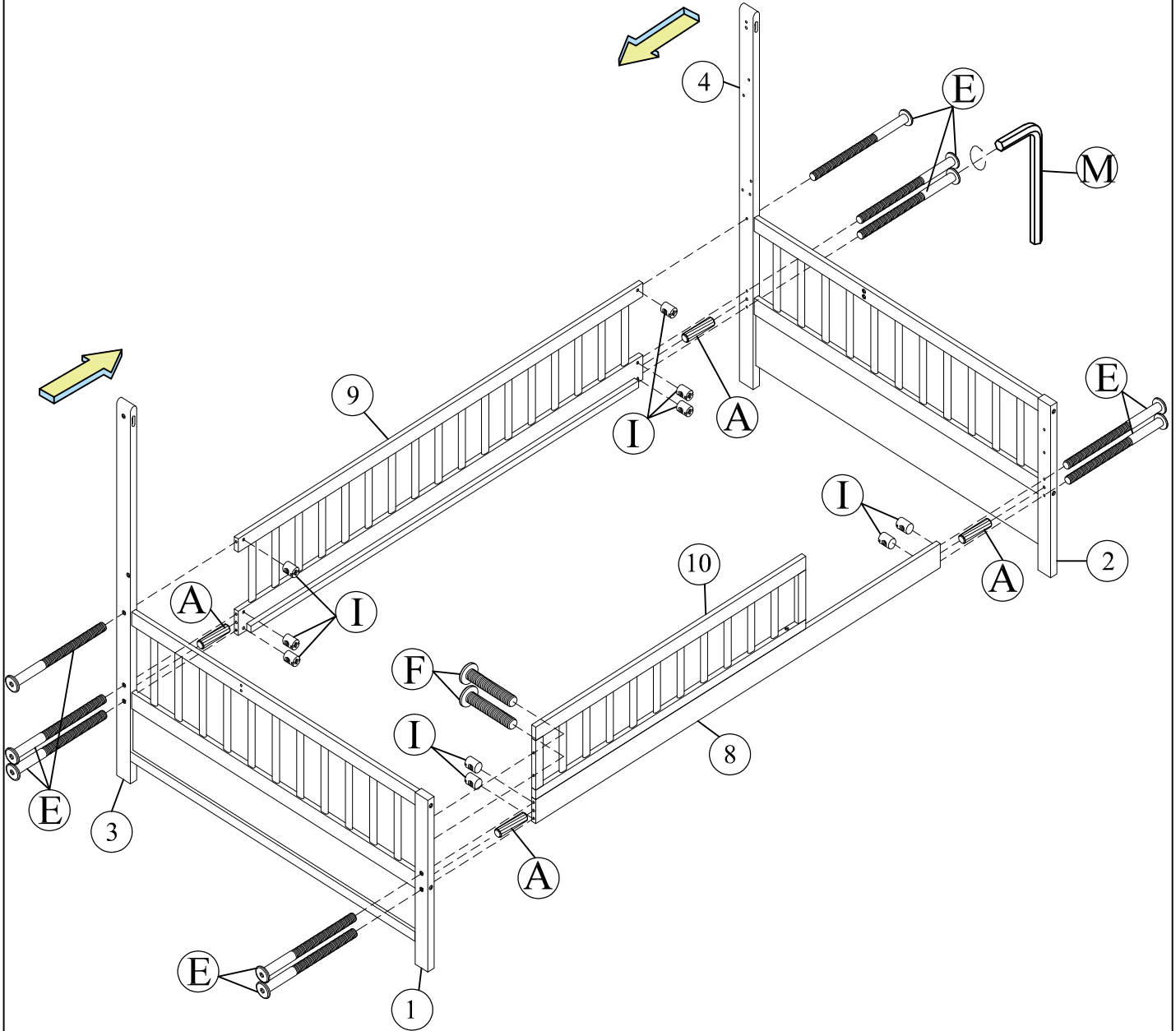
**STEP 8:**



(L)		12
-----	--	----

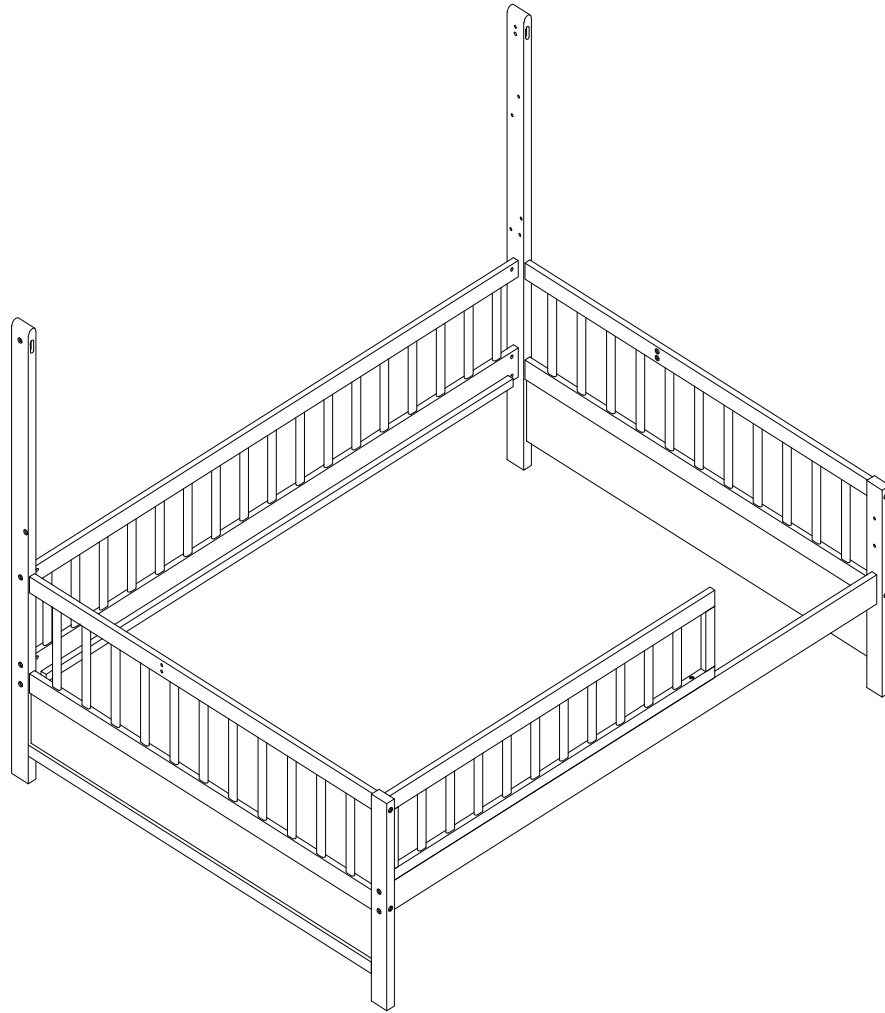
**STEP 9:**

(A)		04
(E)		10
(F)		02
(I)		10
(M)		01

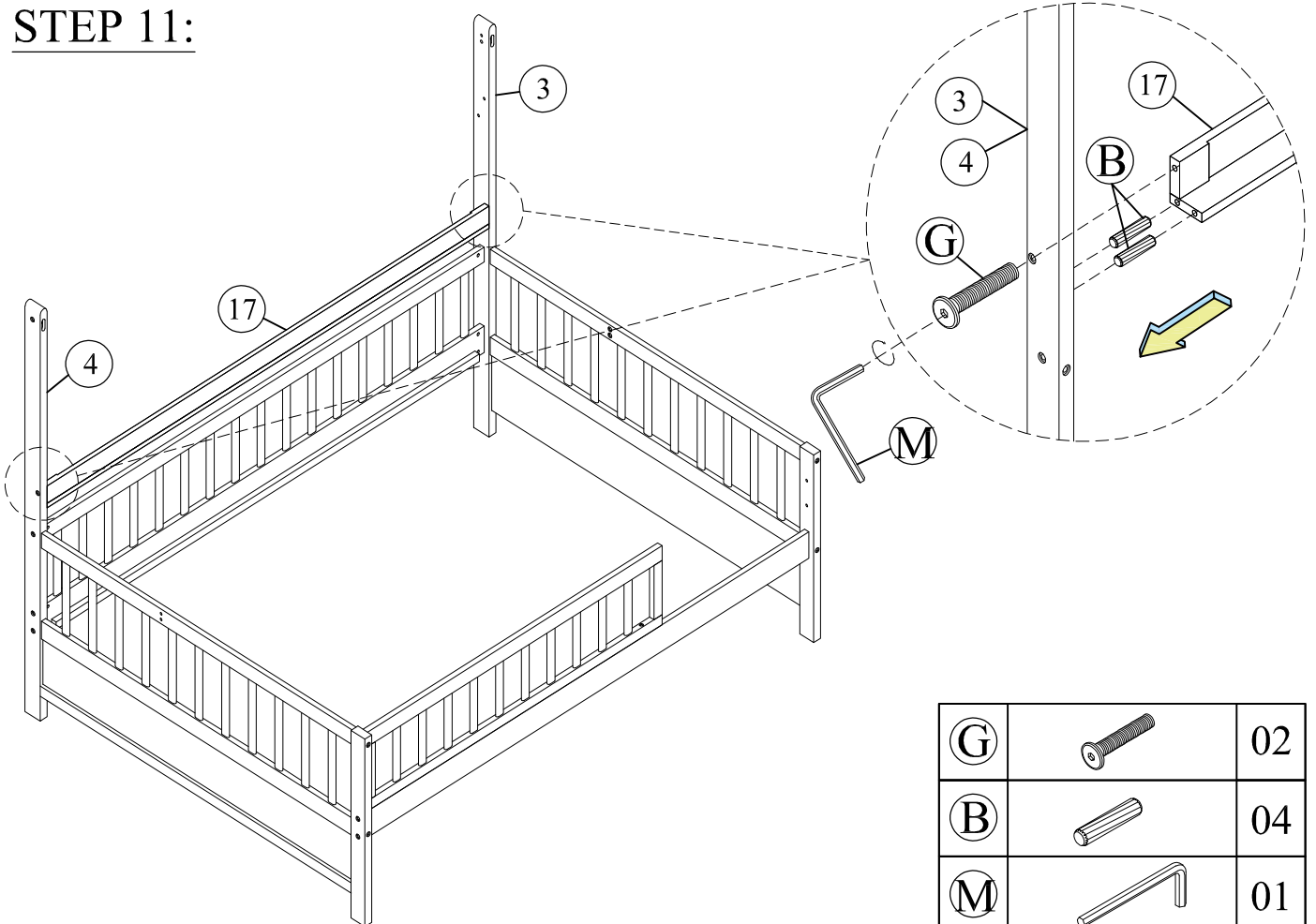


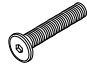
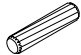
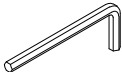
**Note :**  
Do not lock the bolt.

**STEP 10:**

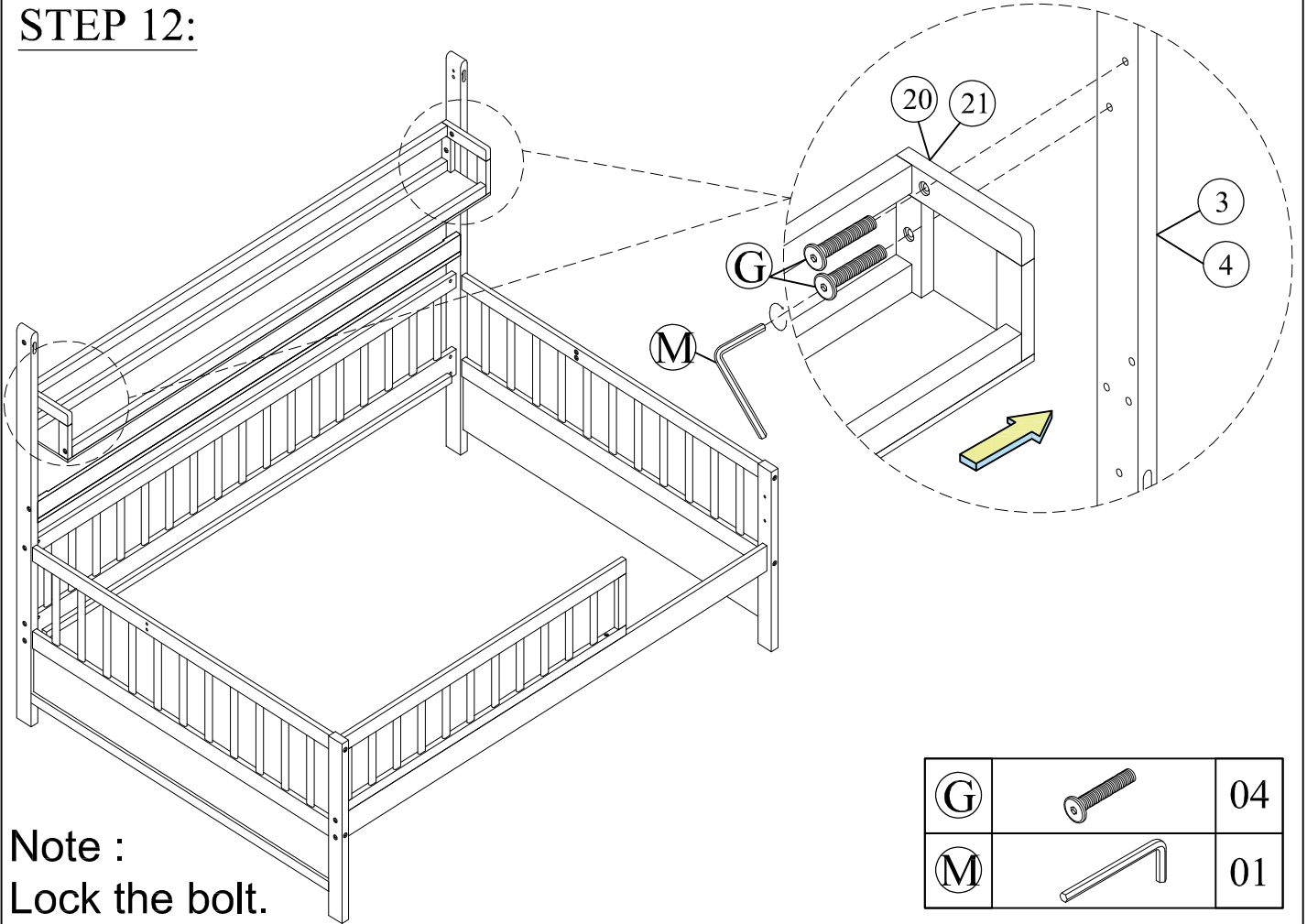


**STEP 11:**



<b>G</b>		02
<b>B</b>		04
<b>M</b>		01

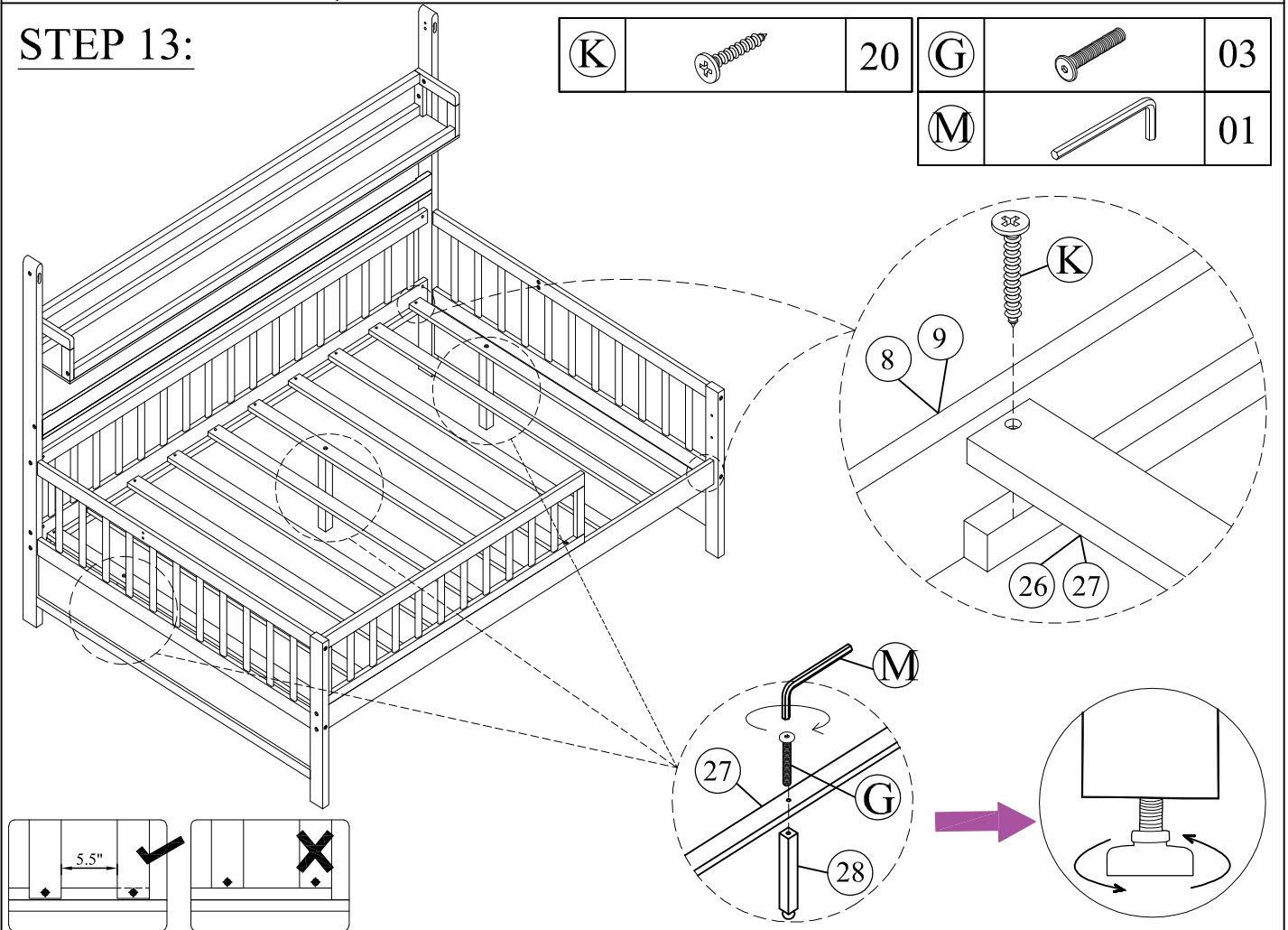
# STEP 12:



Note :  
Lock the bolt.

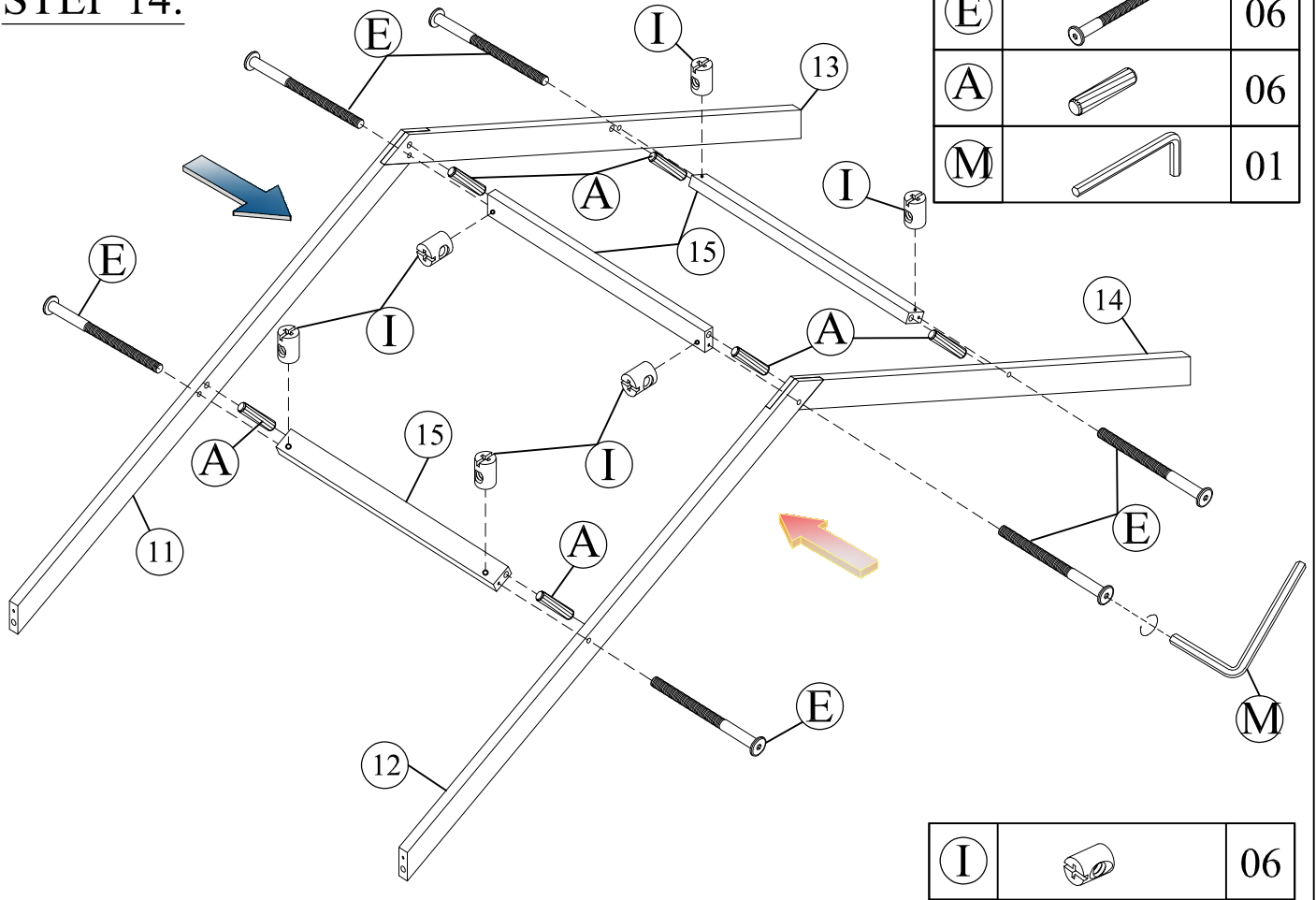
(G)		04
(M)		01

# STEP 13:

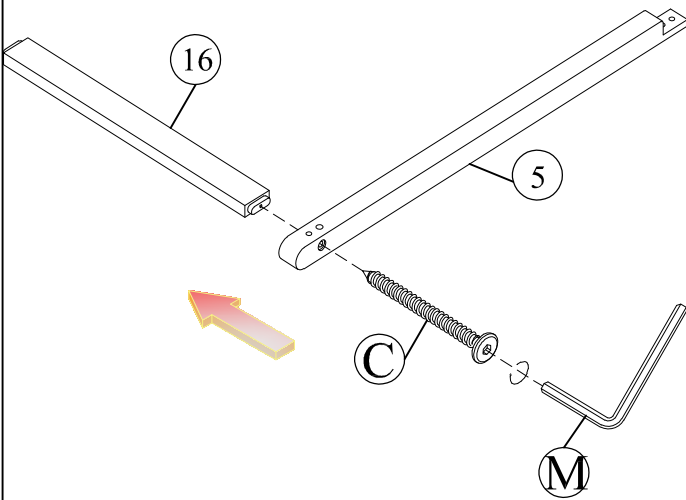



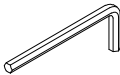
(K)		20	(G)		03
			(M)		01

**STEP 14:**

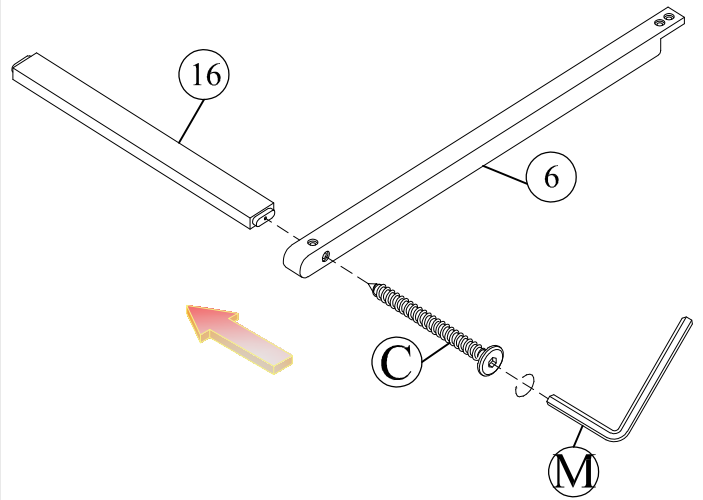



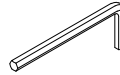
**STEP 15:**



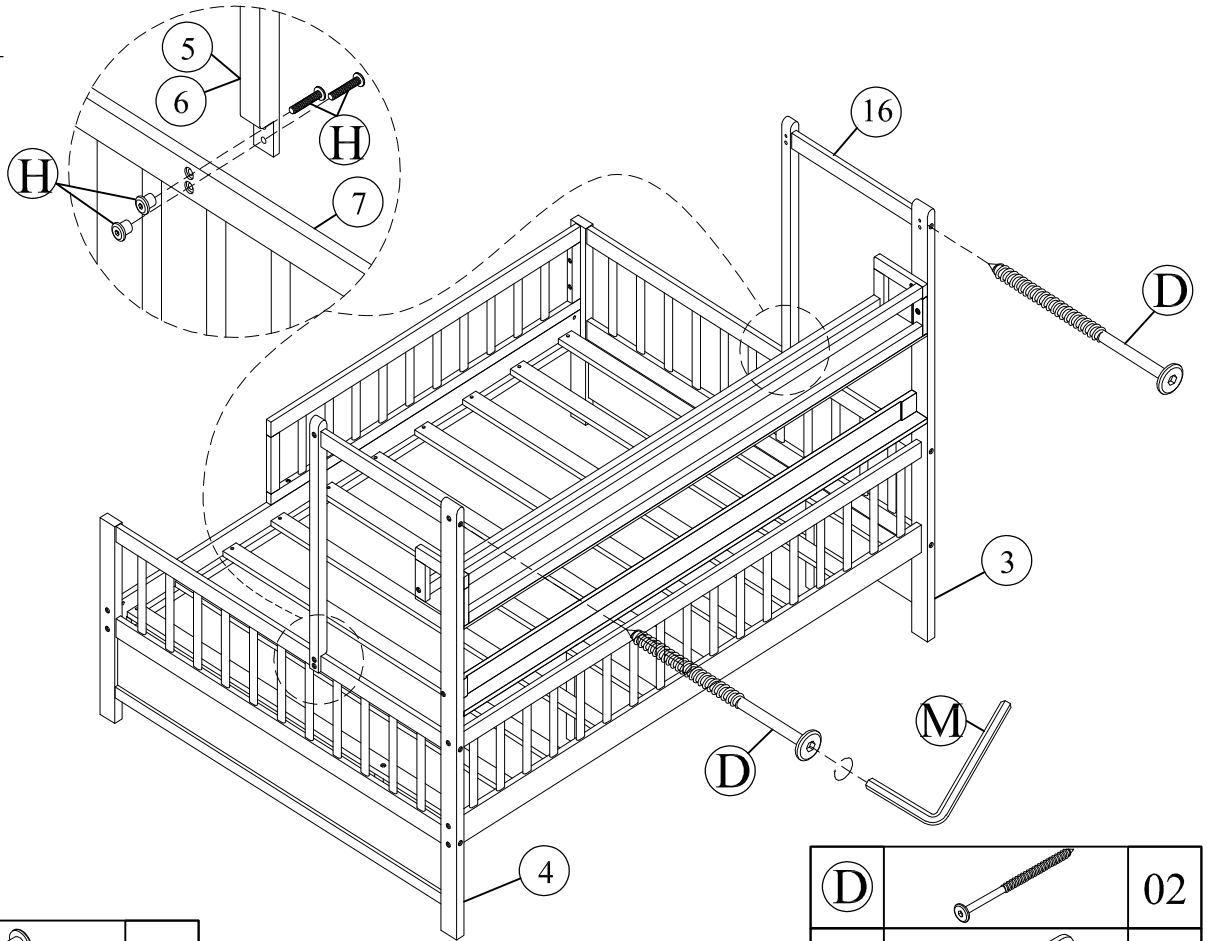
(C)		01
(M)		01

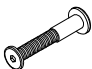
**STEP 16:**


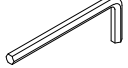


(C)		01
(M)		01

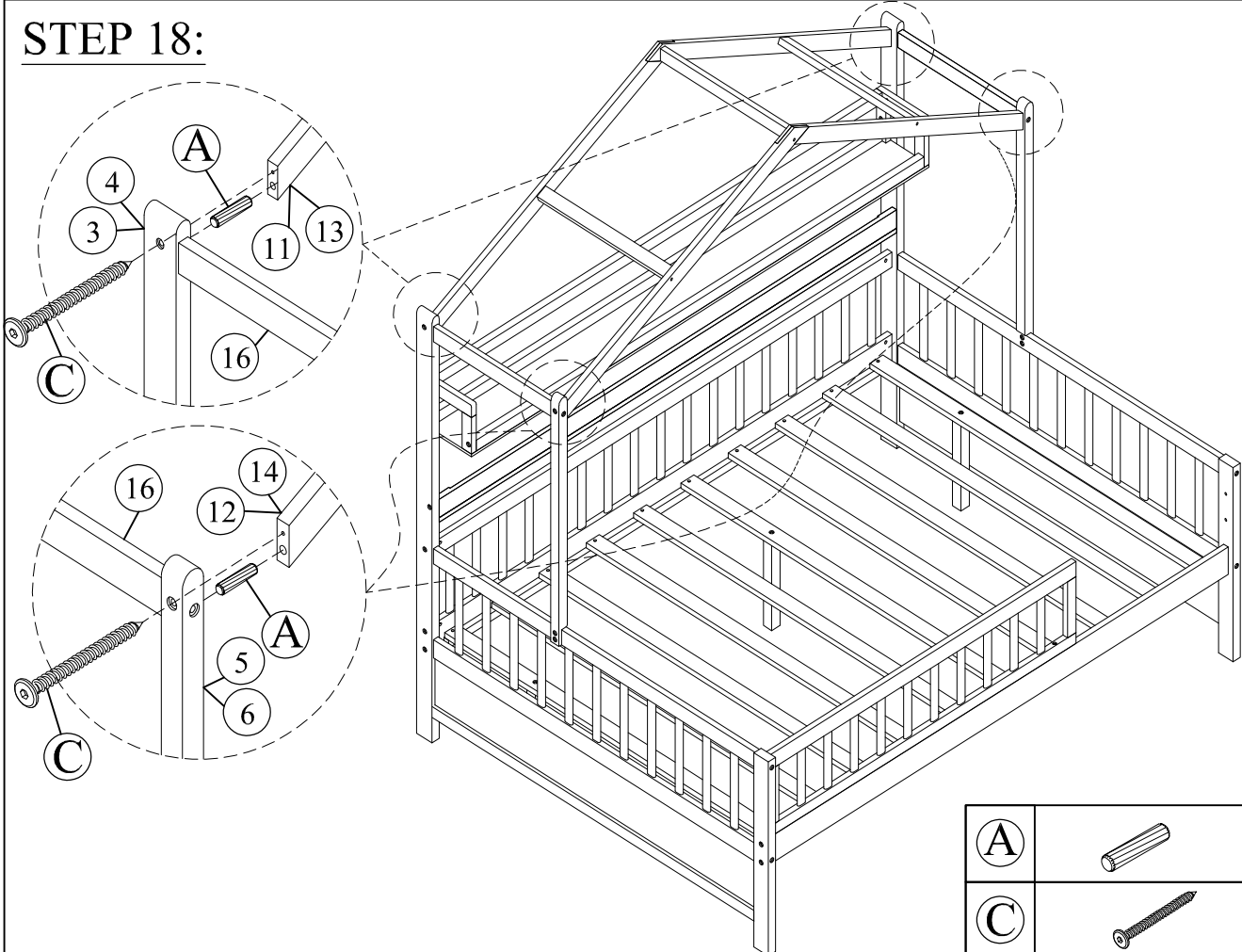
**STEP 17:**

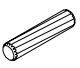



(H)		04
-----	---	----

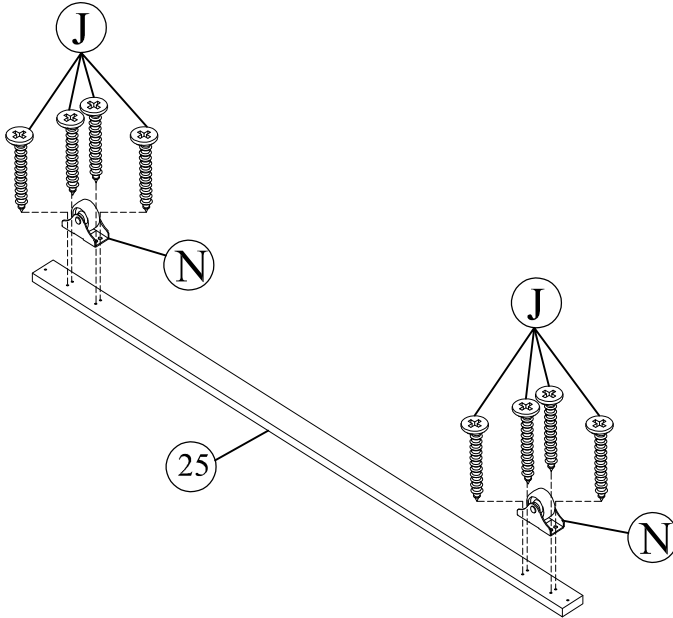
(D)		02
(M)		01


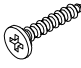
**STEP 18:**



(A)		04
(C)		04

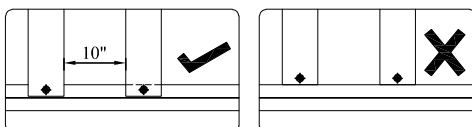
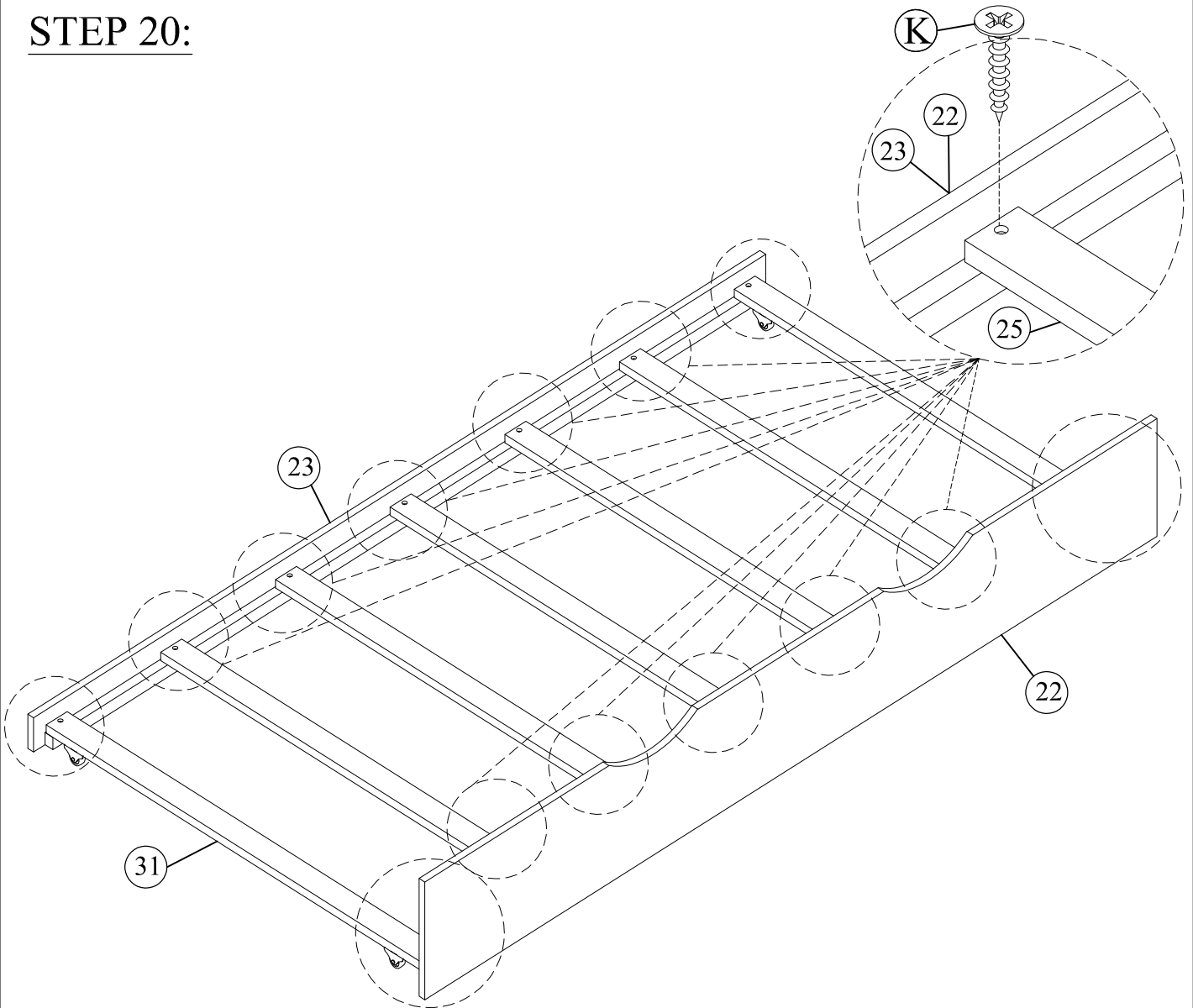
**STEP 19:**

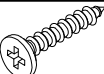


(N)		04
(J)		16


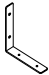
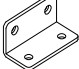
X2

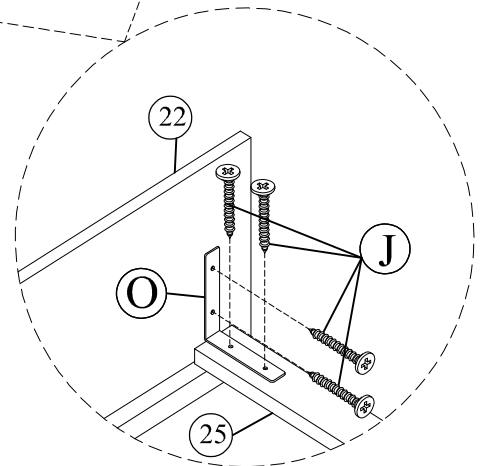
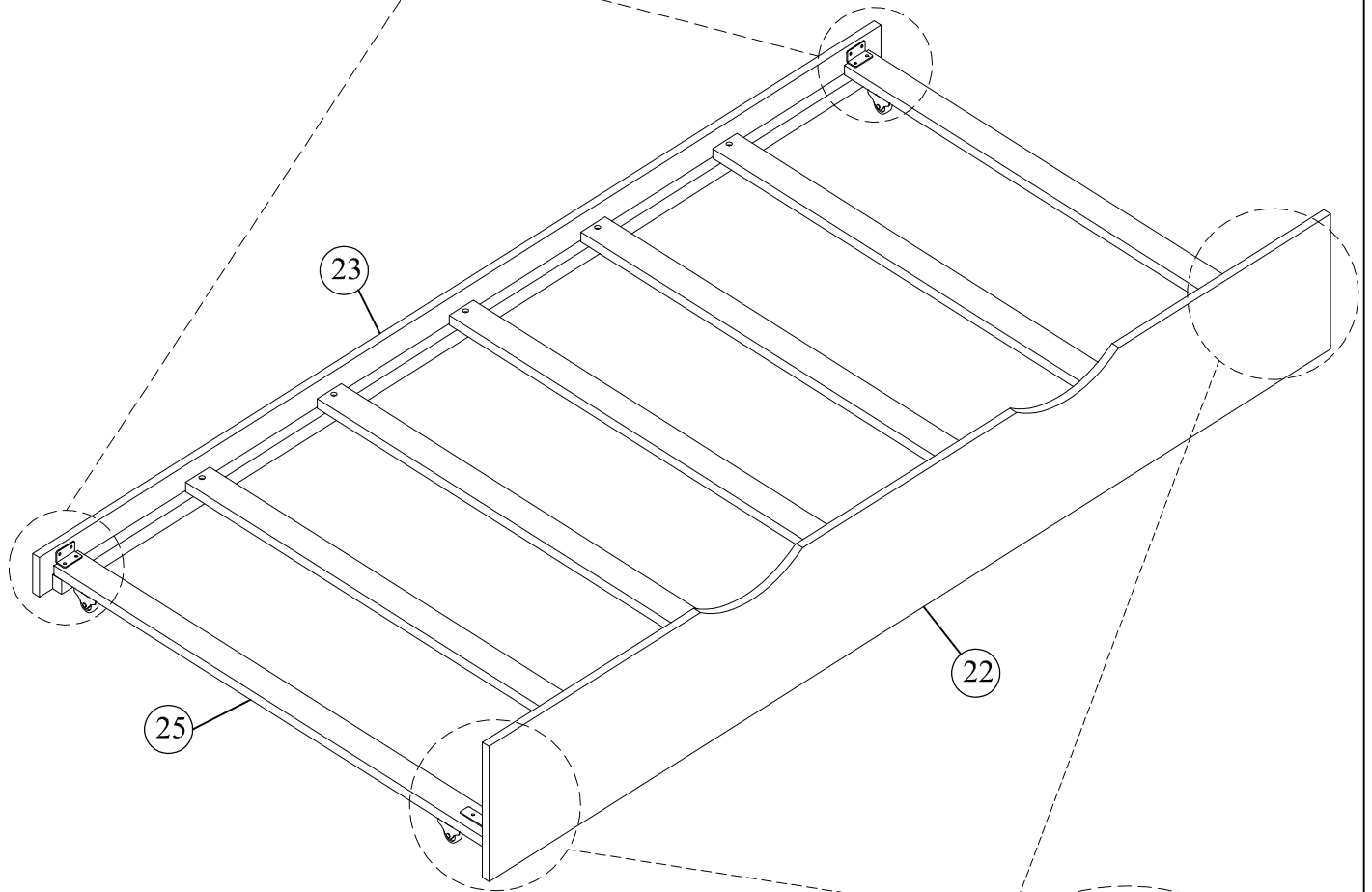
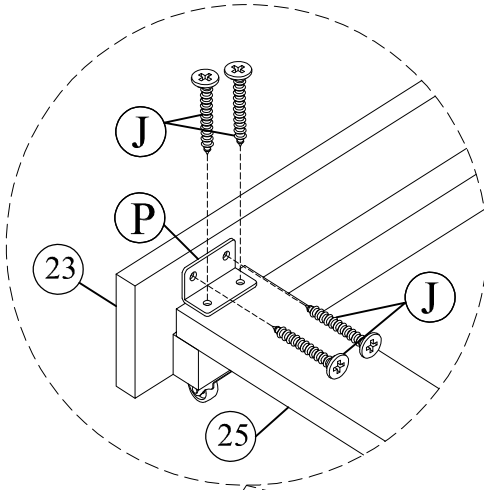
**STEP 20:**



(K)		14
-----	---	----

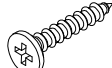
**STEP 21:**

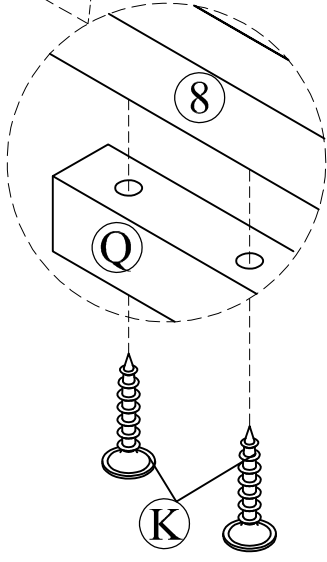
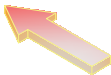
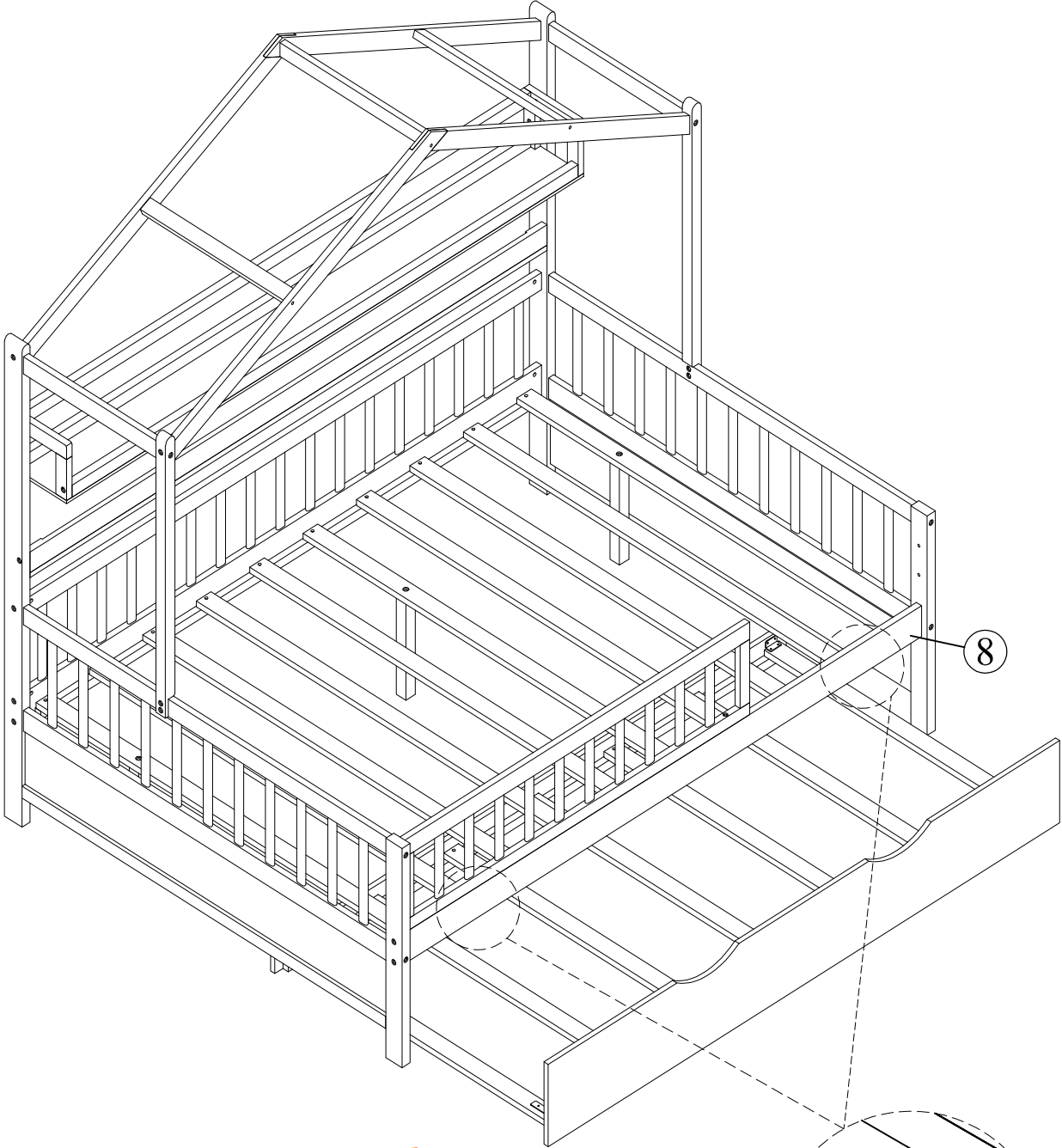
J		16
O		02
P		02



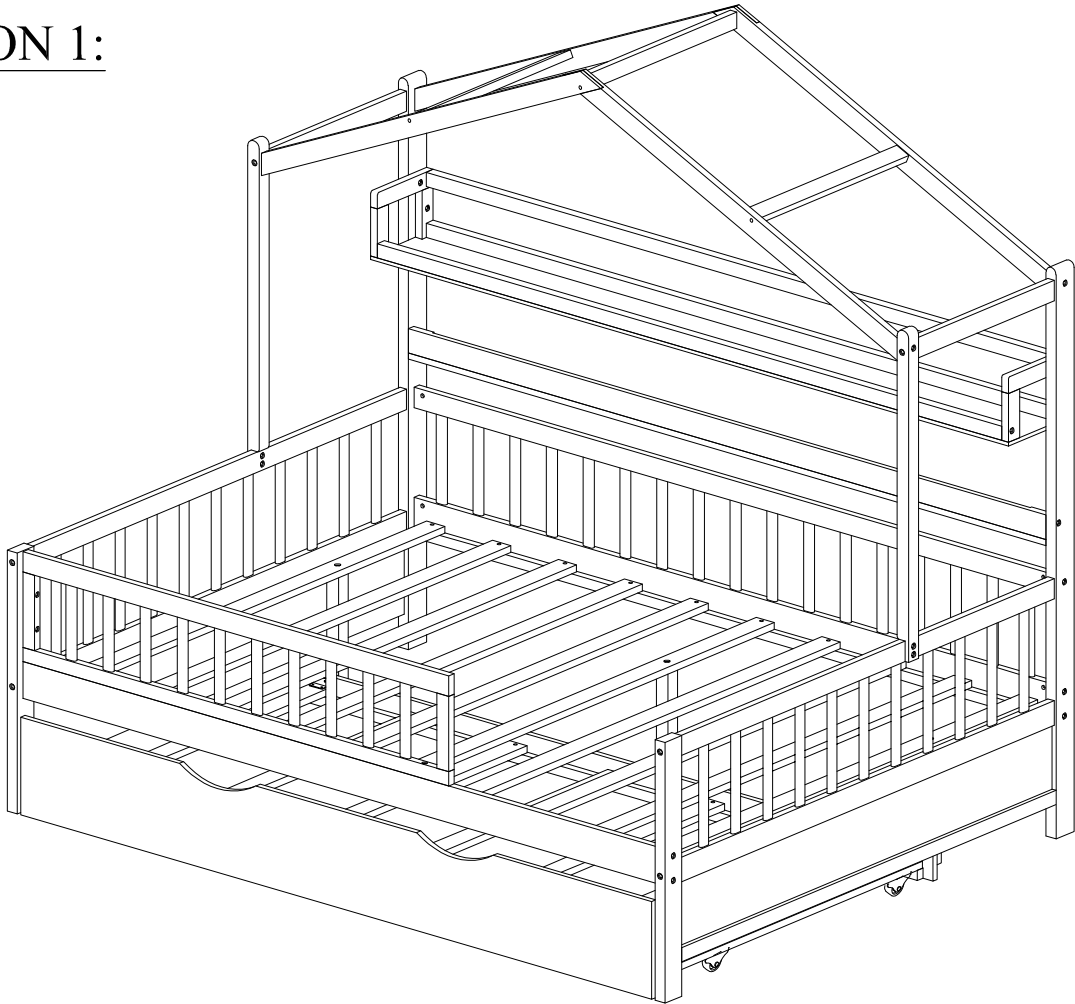


**STEP 22:**

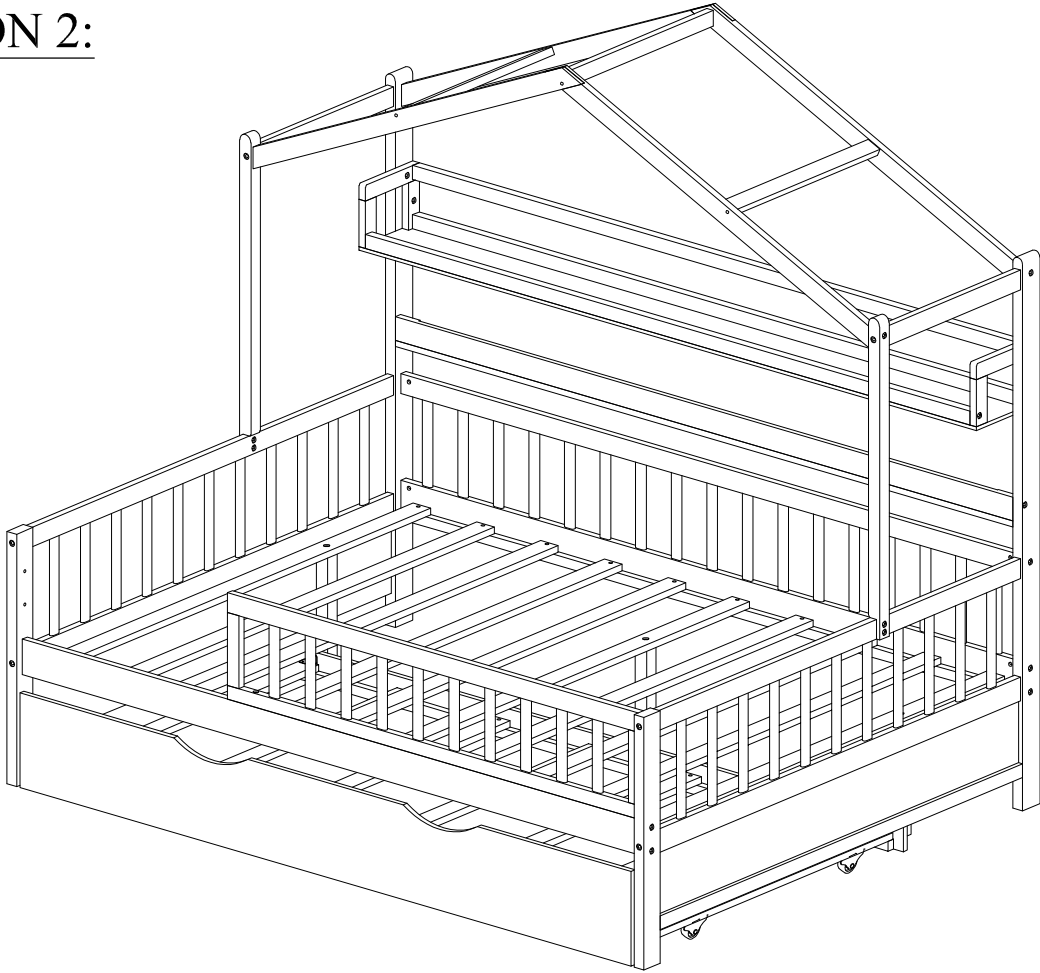
K		04
---	---	----



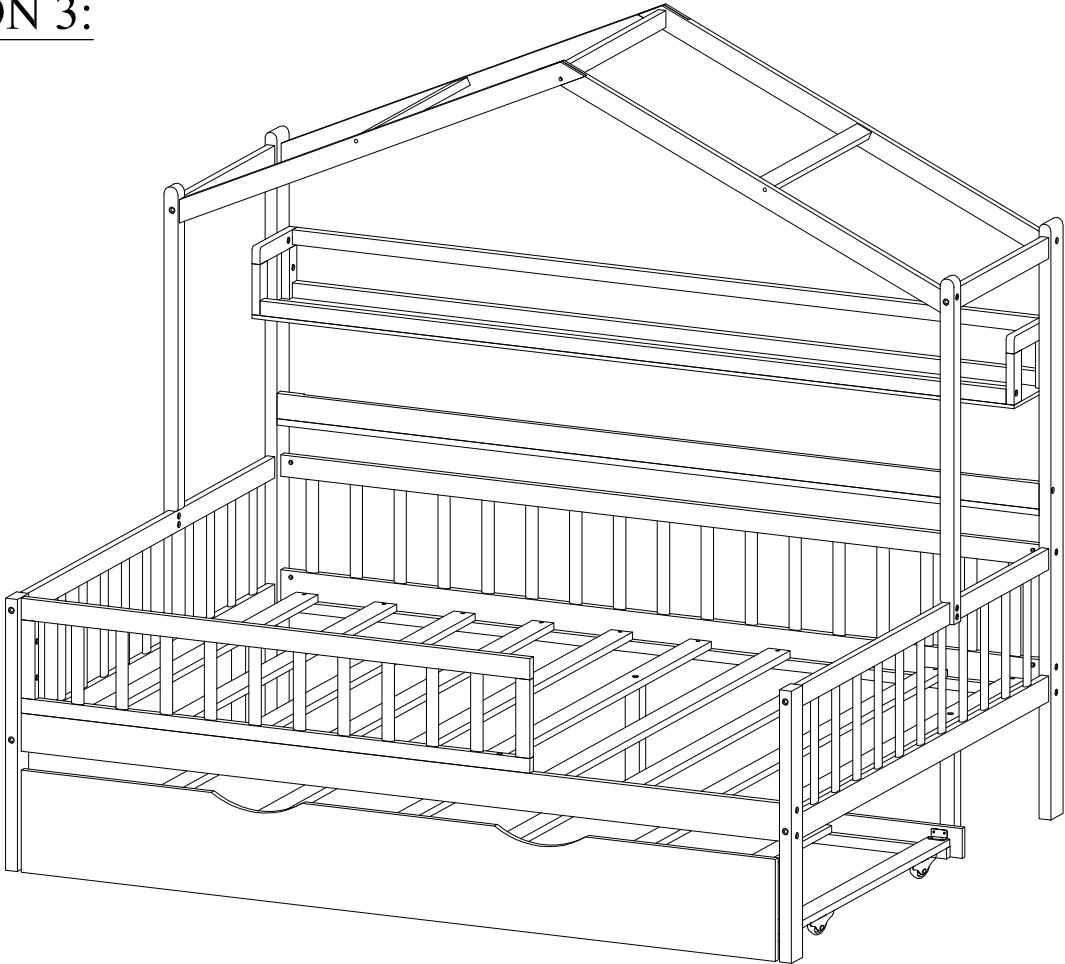
OPTION 1:



OPTION 2:



OPTION 3:



OPTION 4:

