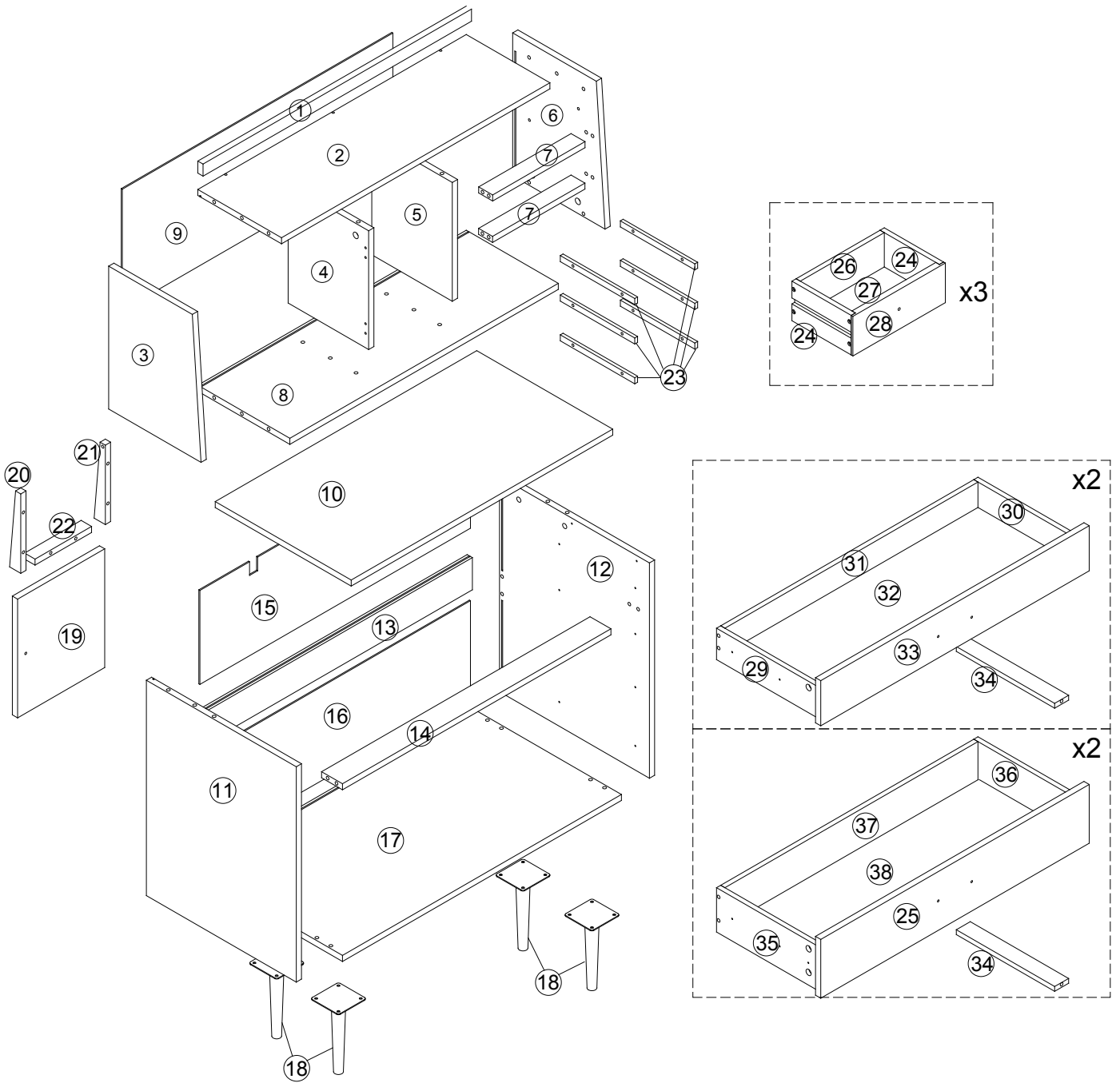
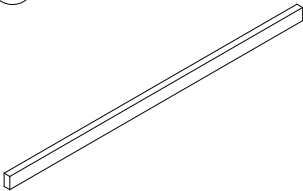
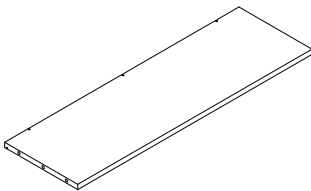
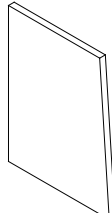
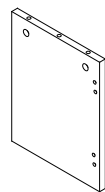
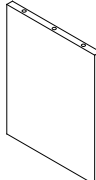
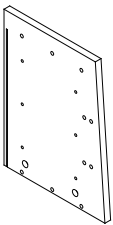
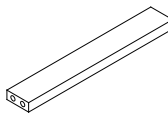
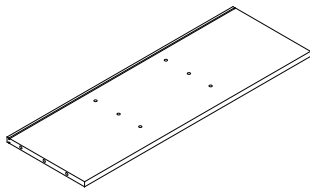
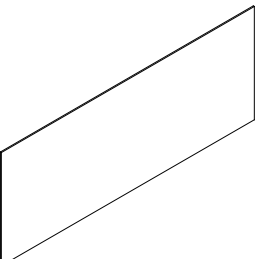
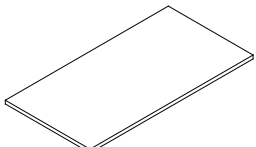
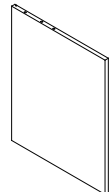
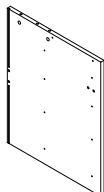
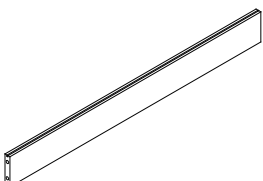
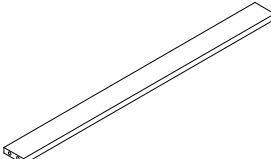
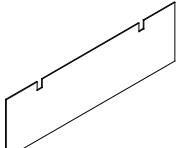
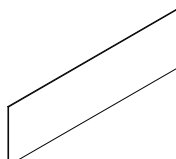
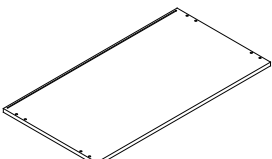

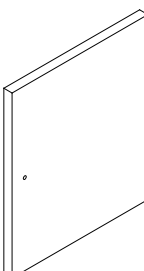

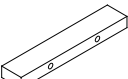

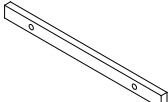
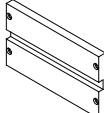


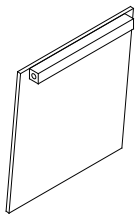
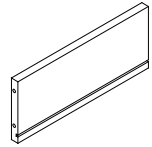
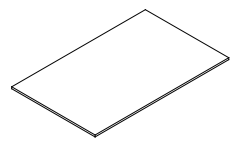
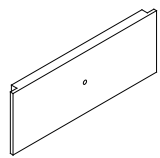
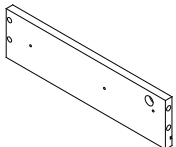
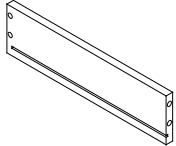
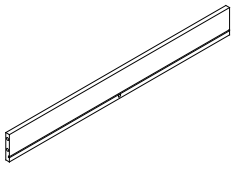
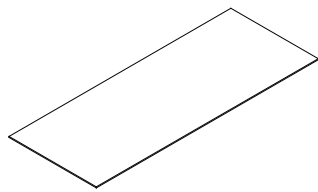
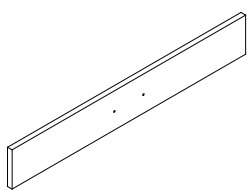
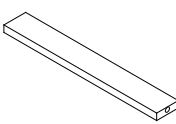
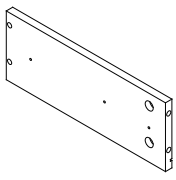
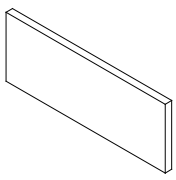
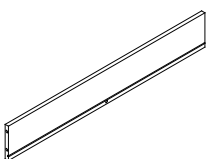
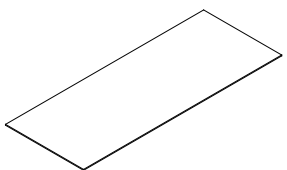
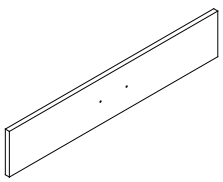
ASSEMBLY INSTRUCTION
SKU CODE: (WF299744AAK&WF29744AAB)

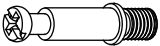
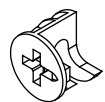
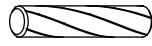
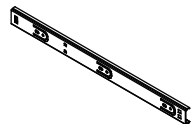
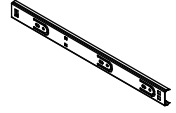
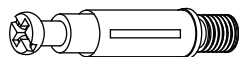
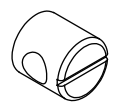
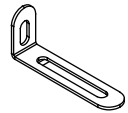
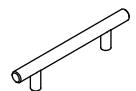
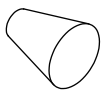
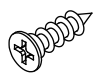
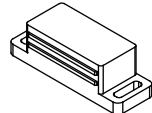
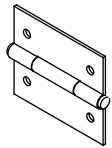
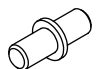
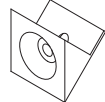
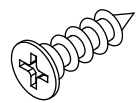
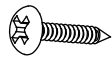
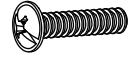

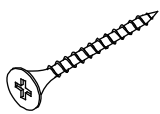
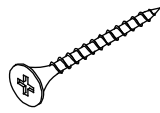
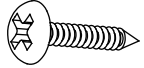

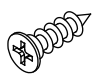


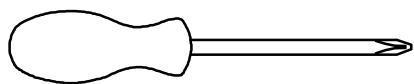
ASSEMBLY INSTRUCTION



<p>①</p>  <p>1PCS</p>	<p>②</p>  <p>1PCS</p>	<p>③</p>  <p>1PCS</p>	<p>④</p>  <p>1PCS</p>
<p>⑤</p>  <p>1PCS</p>	<p>⑥</p>  <p>1PCS</p>	<p>⑦</p>  <p>2PCS</p>	<p>⑧</p>  <p>1PCS</p>
<p>⑨</p>  <p>1PCS</p>	<p>⑩</p>  <p>1PCS</p>	<p>⑪</p>  <p>1PCS</p>	<p>⑫</p>  <p>1PCS</p>
<p>⑬</p>  <p>1PCS</p>	<p>⑭</p>  <p>1PCS</p>	<p>⑮</p>  <p>1PCS</p>	<p>⑯</p>  <p>1PCS</p>
<p>⑰</p>  <p>1PCS</p>	<p>⑱</p>  <p>4PCS</p>	<p>⑲</p>  <p>1PCS</p>	<p>⑳</p>  <p>1PCS</p>
<p>㉑</p>  <p>1PCS</p>	<p>㉒</p>  <p>1PCS</p>	<p>㉓</p>  <p>6PCS</p>	<p>㉔</p>  <p>6PCS</p>

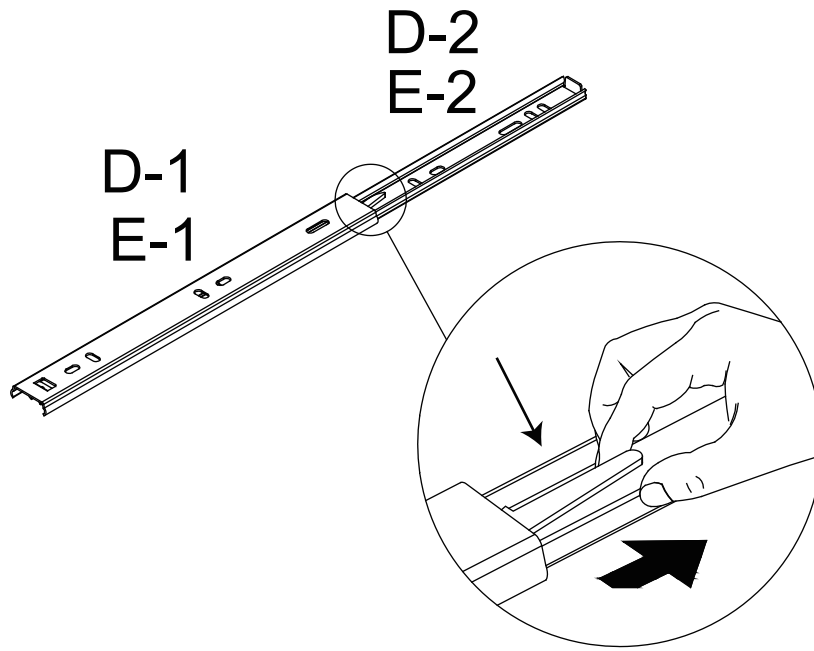
<p>25</p>  <p>1PCS</p>	<p>26</p>  <p>3PCS</p>	<p>27</p>  <p>3PCS</p>	<p>28</p>  <p>3PCS</p>
<p>29</p>  <p>3PCS</p>	<p>30</p>  <p>3PCS</p>	<p>31</p>  <p>3PCS</p>	<p>32</p>  <p>3PCS</p>
<p>33</p>  <p>3PCS</p>	<p>34</p>  <p>4PCS</p>	<p>35</p>  <p>3PCS</p>	<p>36</p>  <p>3PCS</p>
<p>37</p>  <p>3PCS</p>	<p>38</p>  <p>3PCS</p>	<p>39</p>  <p>3PCS</p>	

<p>A</p>  <p>32PCS</p>	<p>B</p>  <p>36PCS</p>	<p>C</p>  <p>30PCS</p>	<p>D</p>  <p>8PCS</p>
<p>E</p>  <p>2PCS</p>	<p>F</p>  <p>4PCS</p>	<p>G</p>  <p>4PCS</p>	<p>H</p>  <p>2PCS</p>
<p>J</p>  <p>4PCS</p>	<p>K</p>  <p>4PCS</p>	<p>L</p>  <p>14PCS</p>	<p>M</p>  <p>1PCS</p>
<p>N</p>  <p>2PCS</p>	<p>O</p>  <p>5PCS</p>	<p>P</p>  <p>12PCS</p>	<p>Q</p>  <p>3*12</p> <p>50PCS</p>
<p>R</p>  <p>2PCS</p>	<p>S</p>  <p>12PCS</p>	<p>T</p>  <p>4*20</p> <p>12PCS</p>	<p>U</p>  <p>4*30</p> <p>33PCS</p>
<p>V</p>  <p>4*35</p> <p>30PCS</p>	<p>W</p>  <p>16PCS</p>	<p>X</p>  <p>2PCS</p>	<p>Y</p>  <p>8PCS</p>






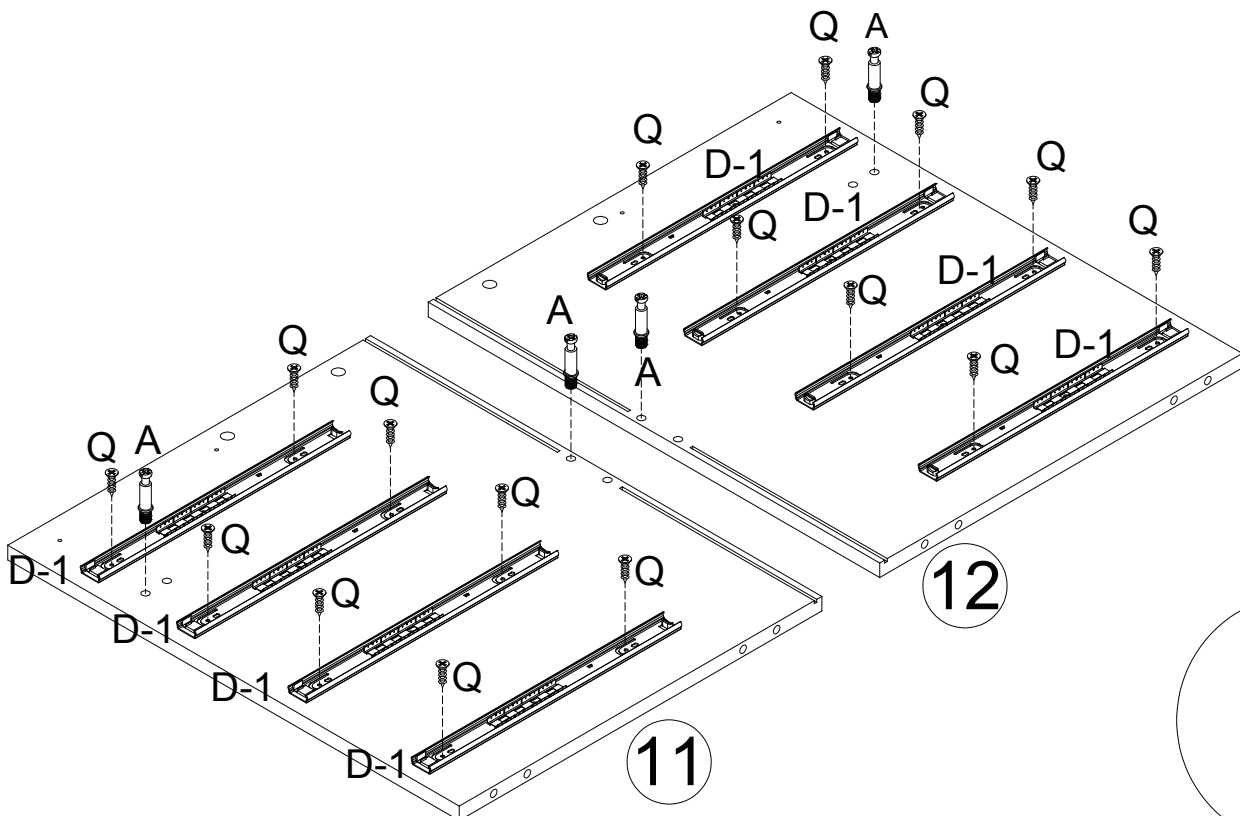
Assembly Tools Required (Not Included)

STEP 1

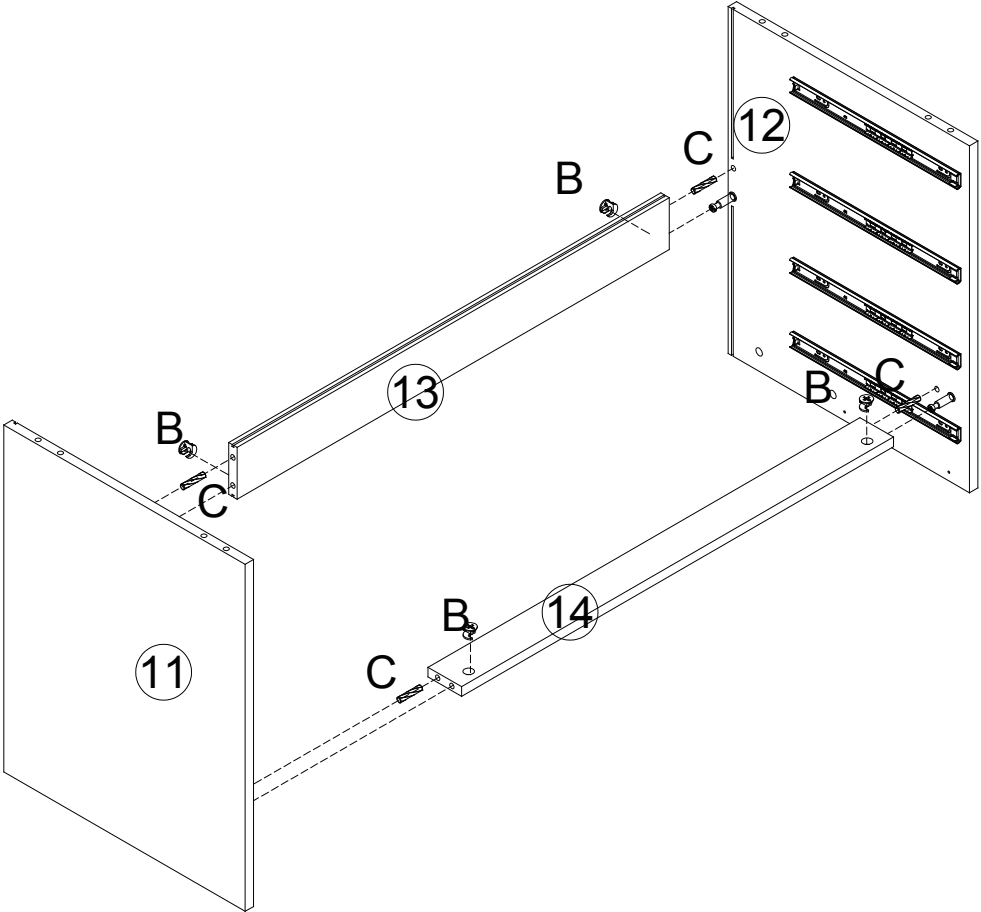




STEP 2

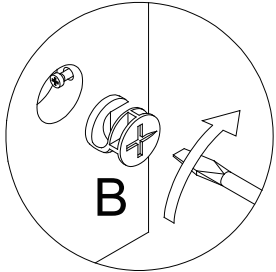
A 	Q 	D 
4(pcs)	16(pcs)	8(pcs)



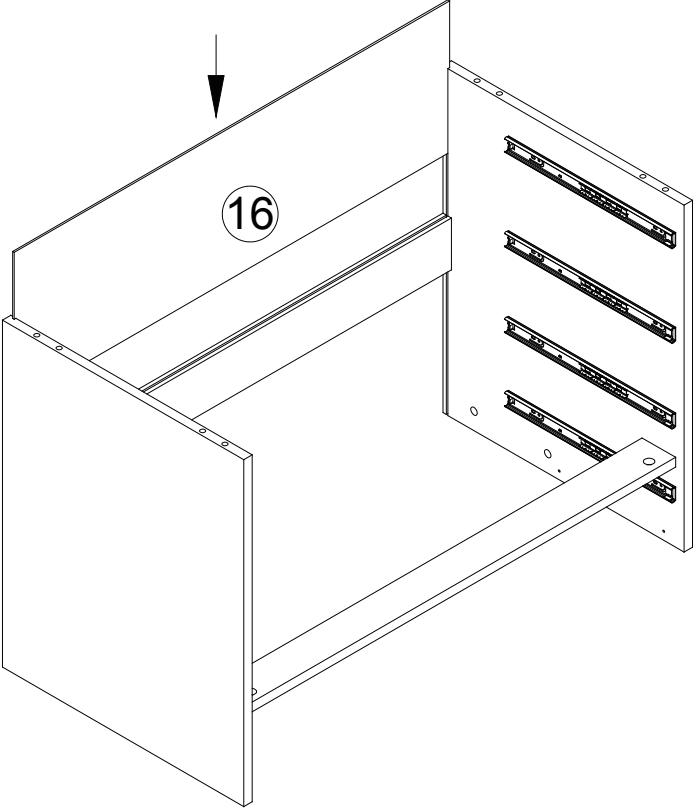
STEP 3



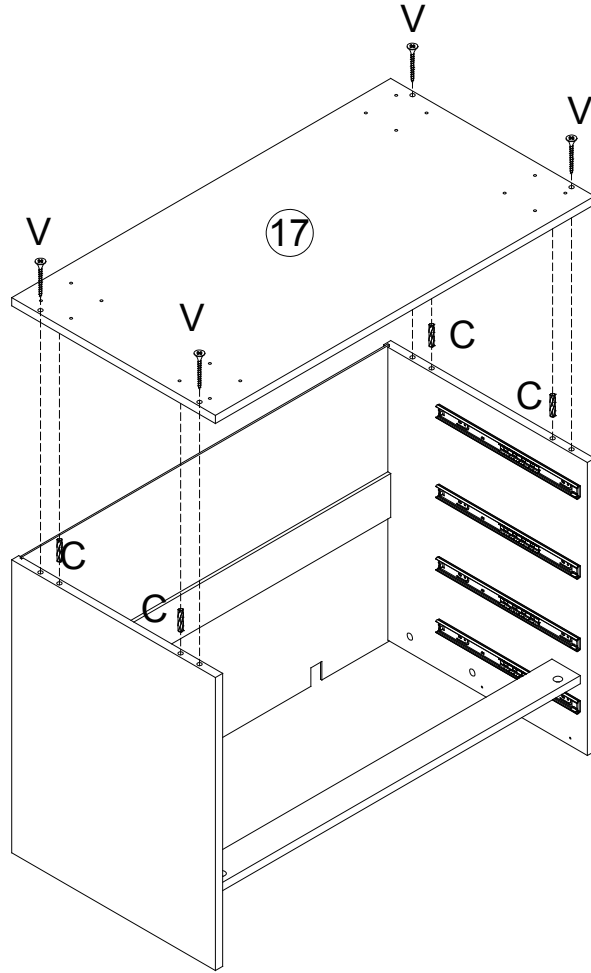
B 	C 
4(pcs)	4(pcs)

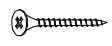
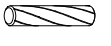


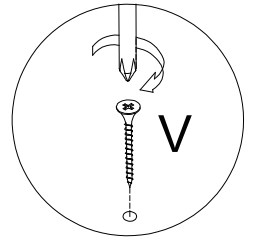
STEP 4



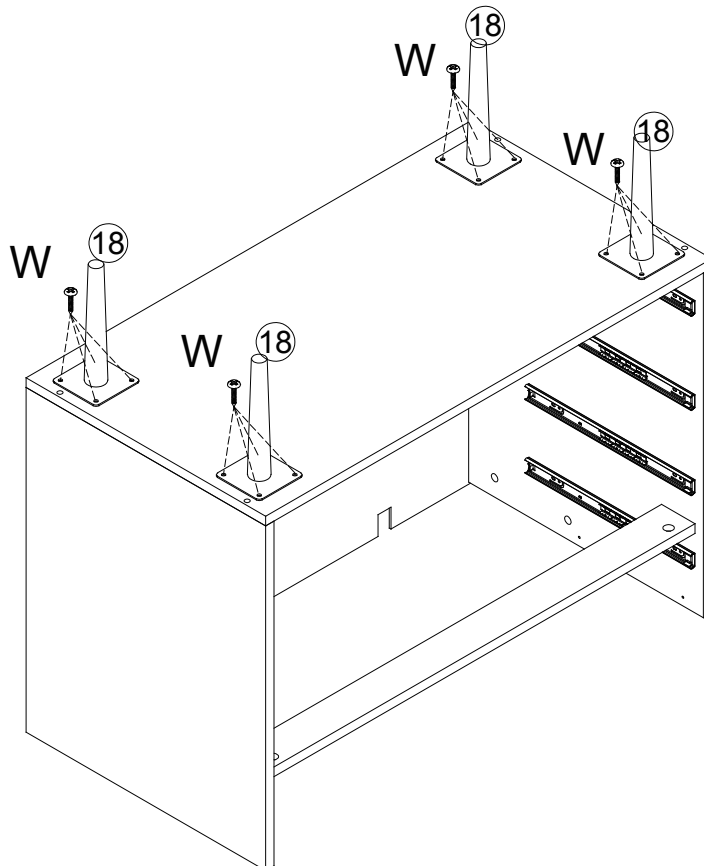
STEP 5




V	C
	
4(pcs)	4(pcs)

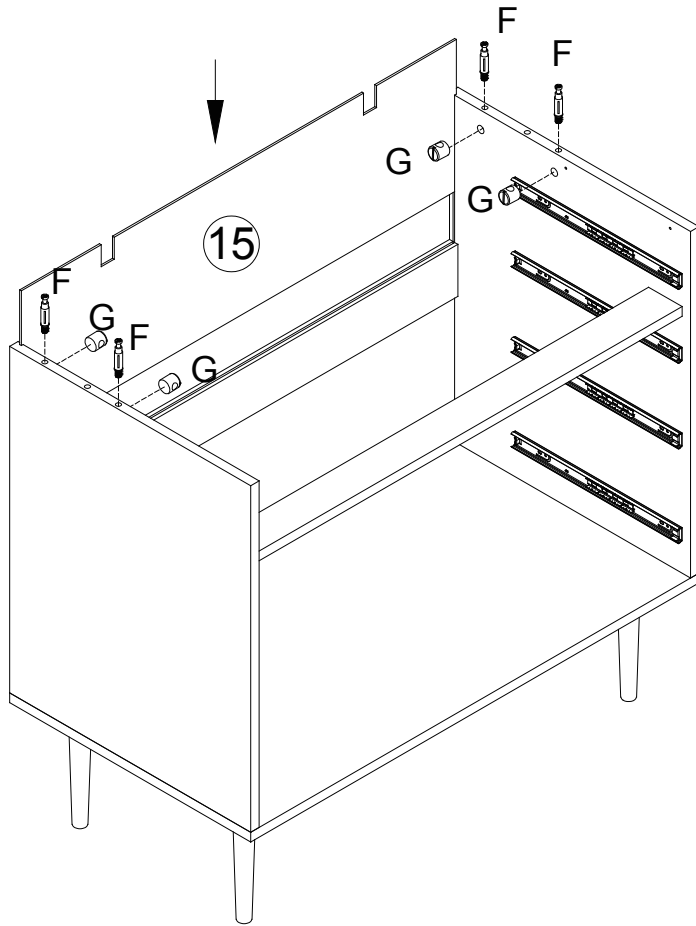


STEP 6

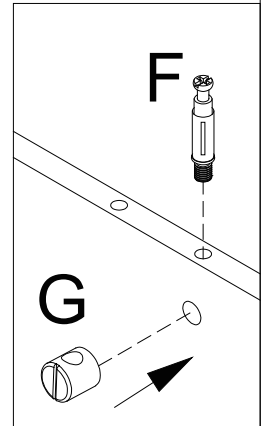


W

16(pcs)

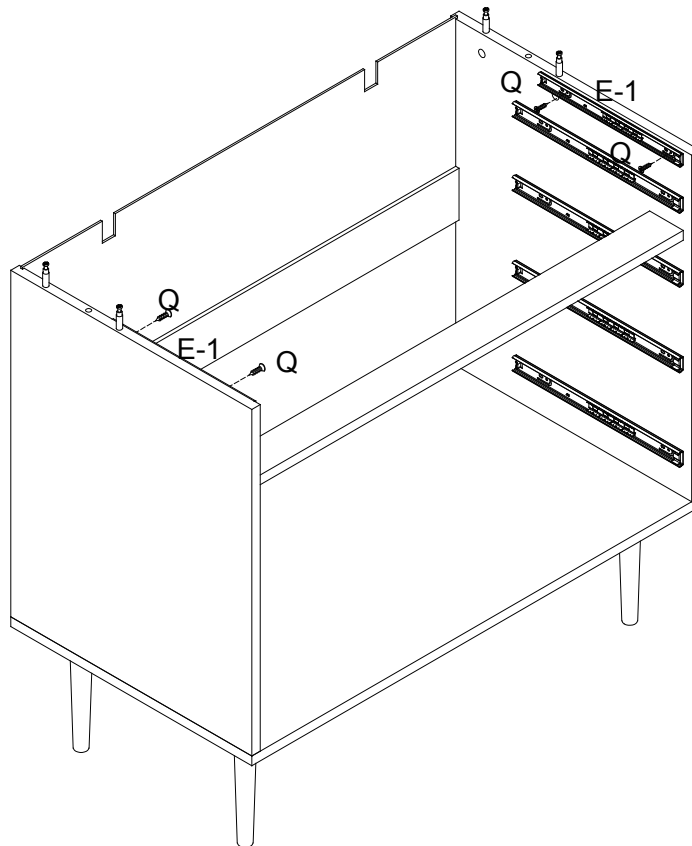
STEP 7



F	G
4(pcs)	4(pcs)

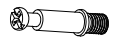

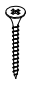
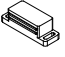


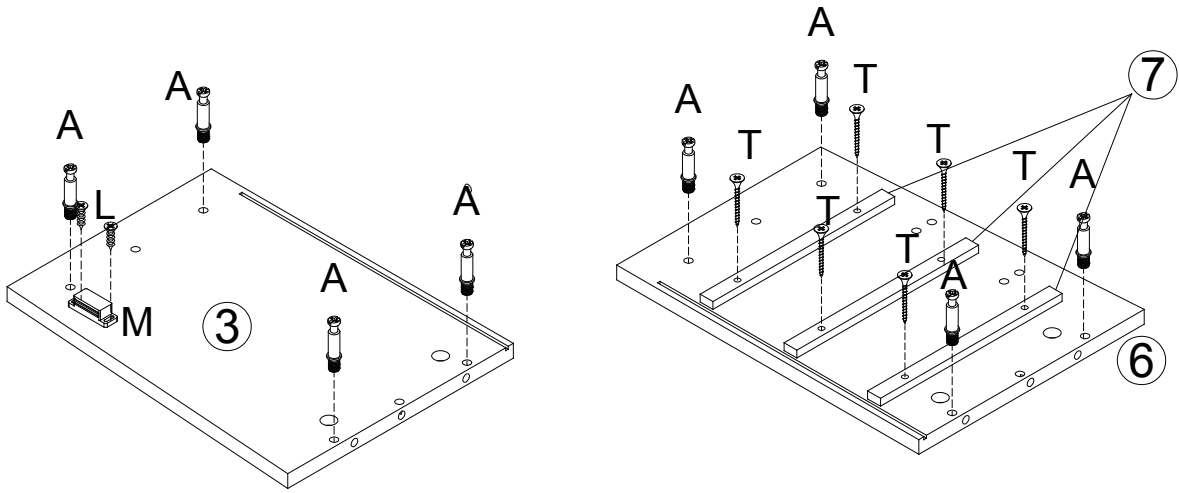
STEP 8



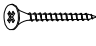
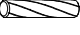
E	Q
2(pcs)	4(pcs)

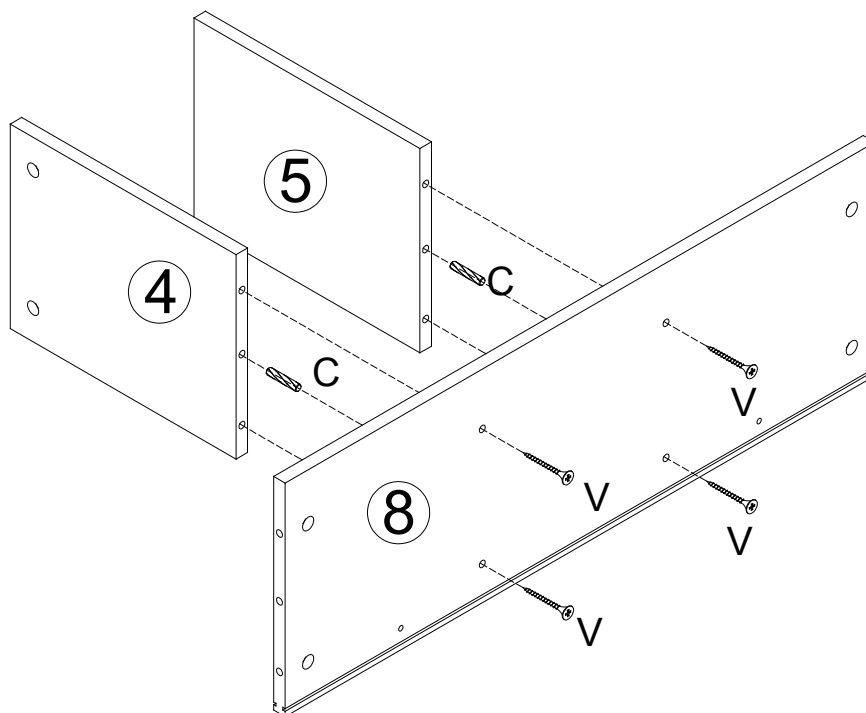
STEP 9

			
8(pcs)	2(pcs)	6(pcs)	1(pcs)

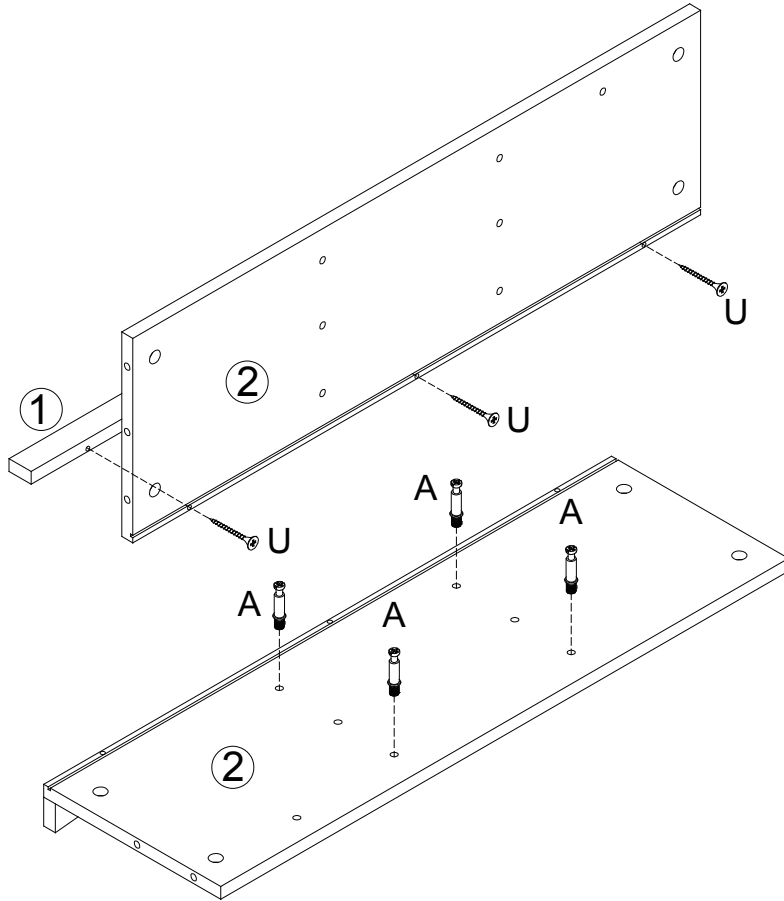




STEP 10

	
4(pcs)	2(pcs)

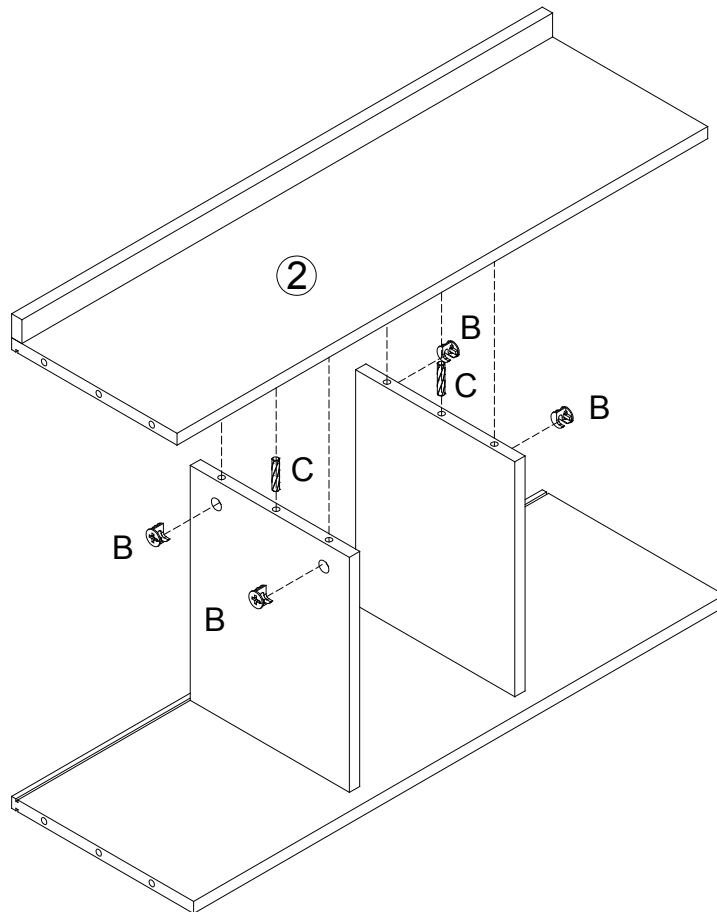


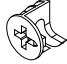
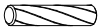
STEP 11



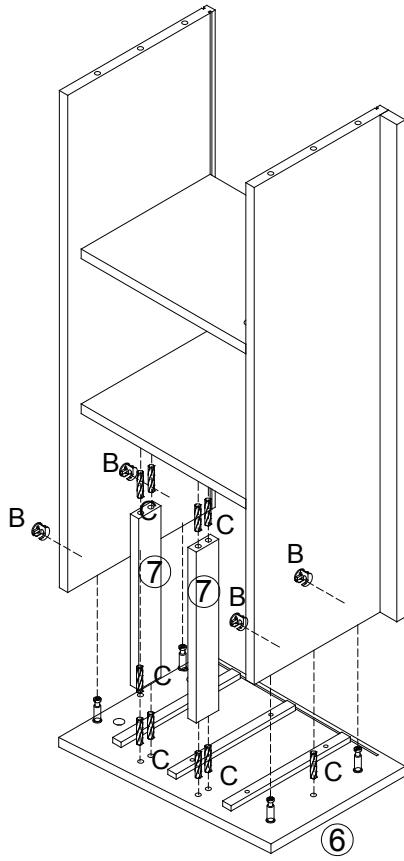
A	U
	
4(pcs)	3(pcs)


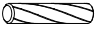
STEP 12

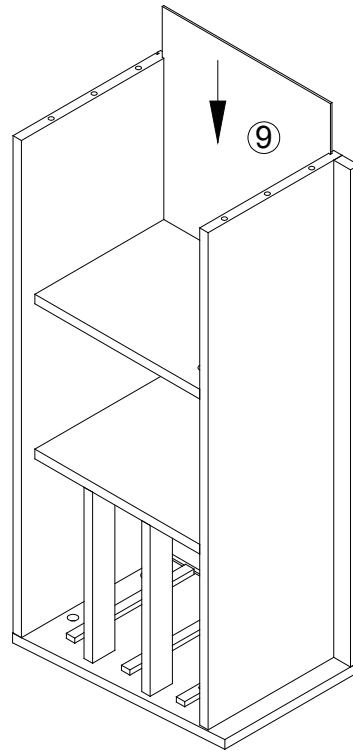


B	C
	
4(pcs)	2(pcs)

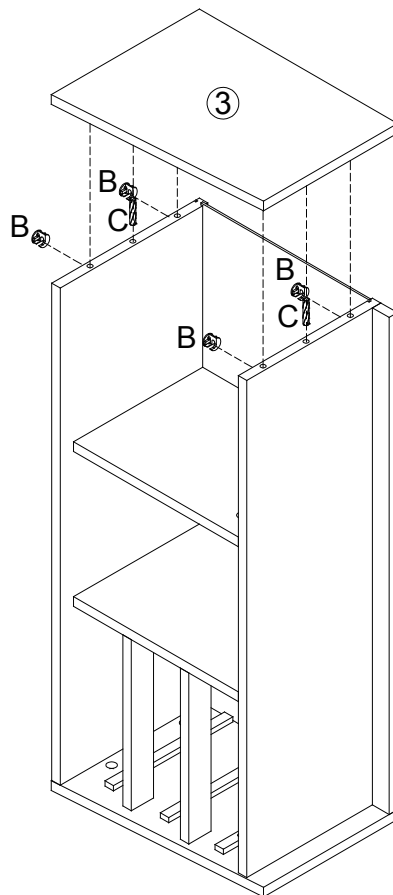
STEP 13


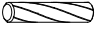


B	C
	
4(pcs)	10(pcs)






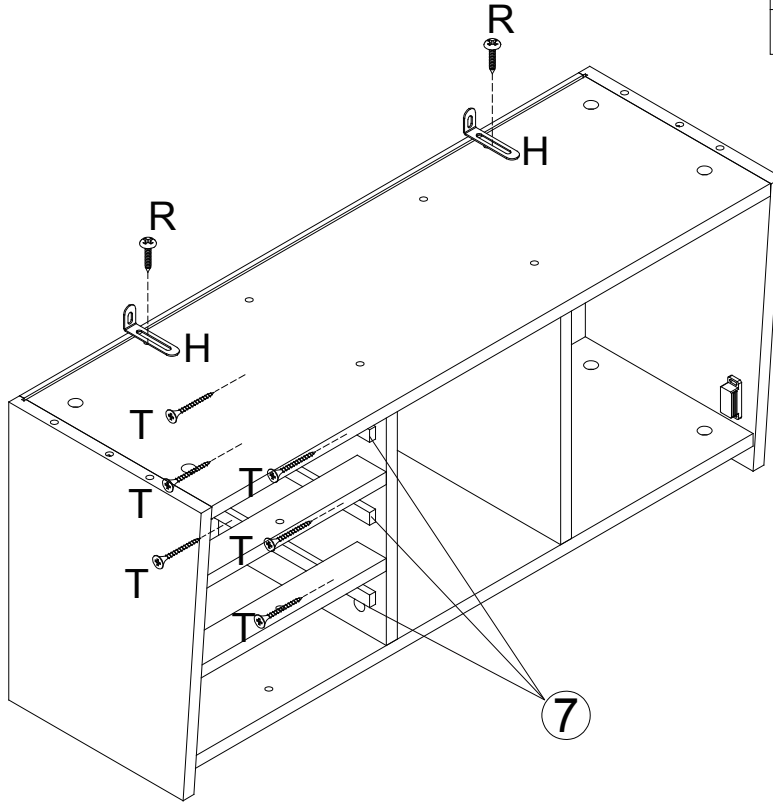
STEP 14



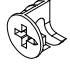
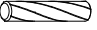
B	C
	
4(pcs)	2(pcs)

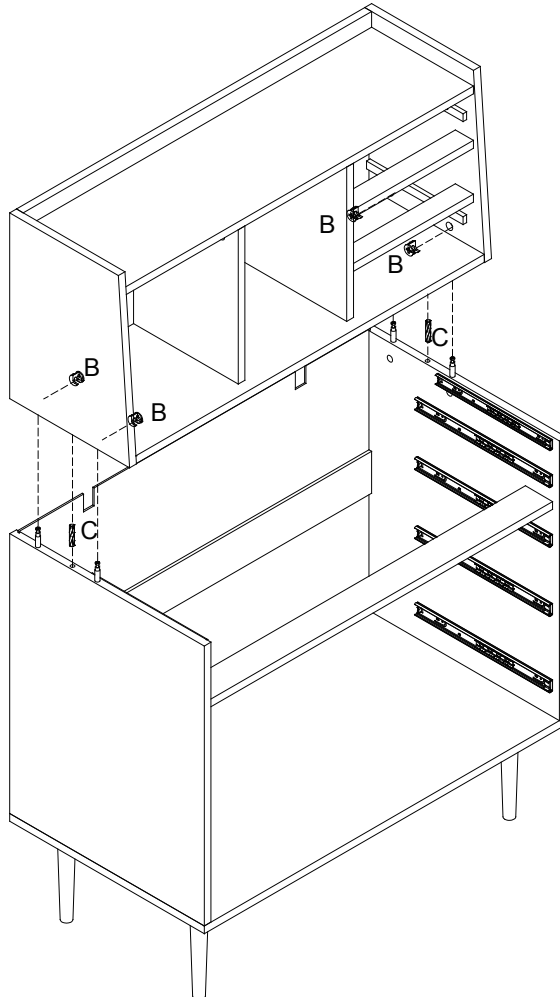
STEP 15

T		R		H	
	6(pcs)		2(pcs)		2(pcs)






STEP 16

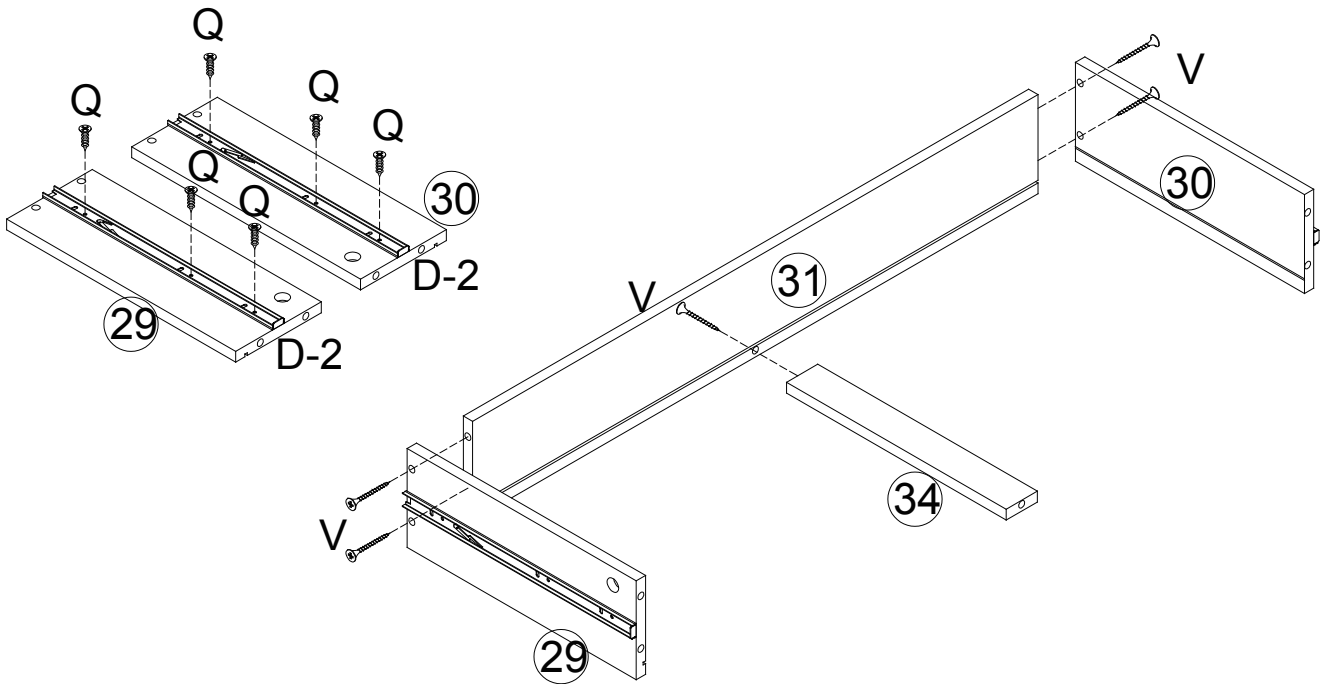
B		C	
	4(pcs)		2(pcs)



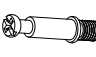
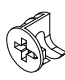
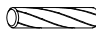

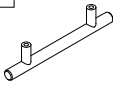
STEP 17

Q	D	V
		
12(pcs)	4(pcs)	10(pcs)

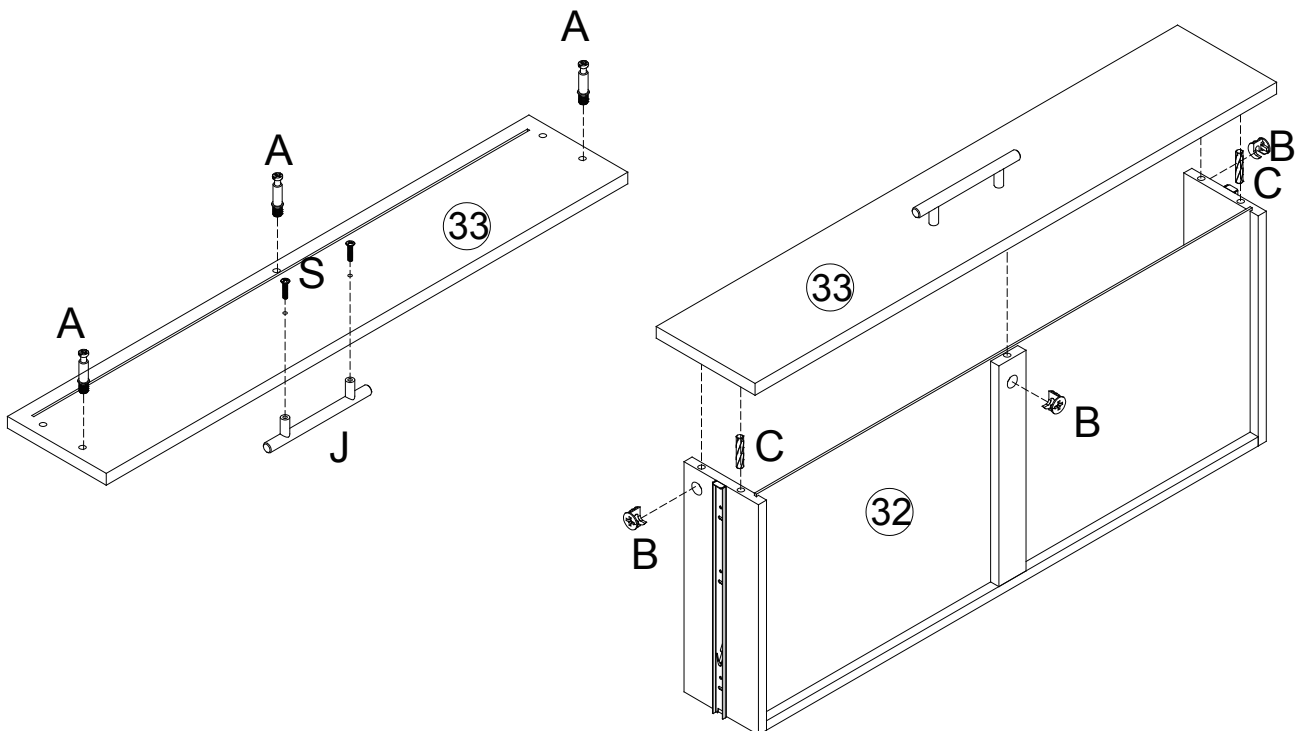
x2






STEP 18

A	B	C	S	J
				
6(pcs)	6(pcs)	4(pcs)	4(pcs)	2(pcs)

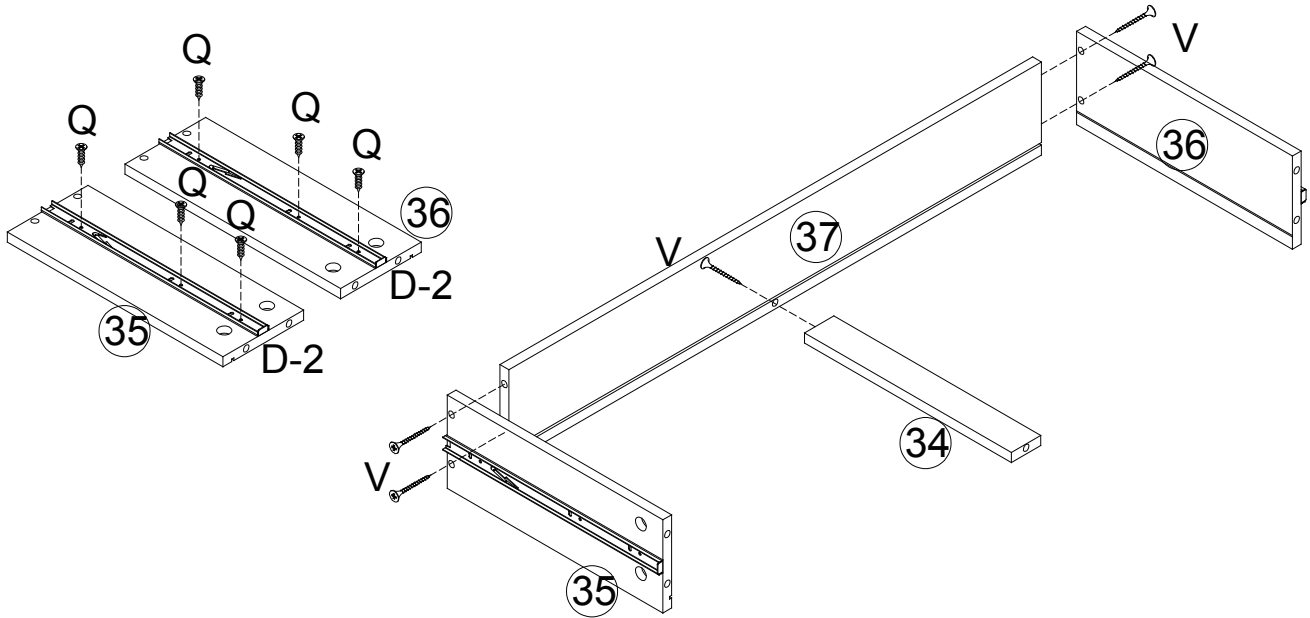
x2



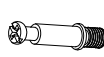
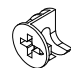

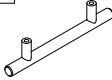
STEP 19

Q	D	V
		
12(pcs)	4(pcs)	10(pcs)

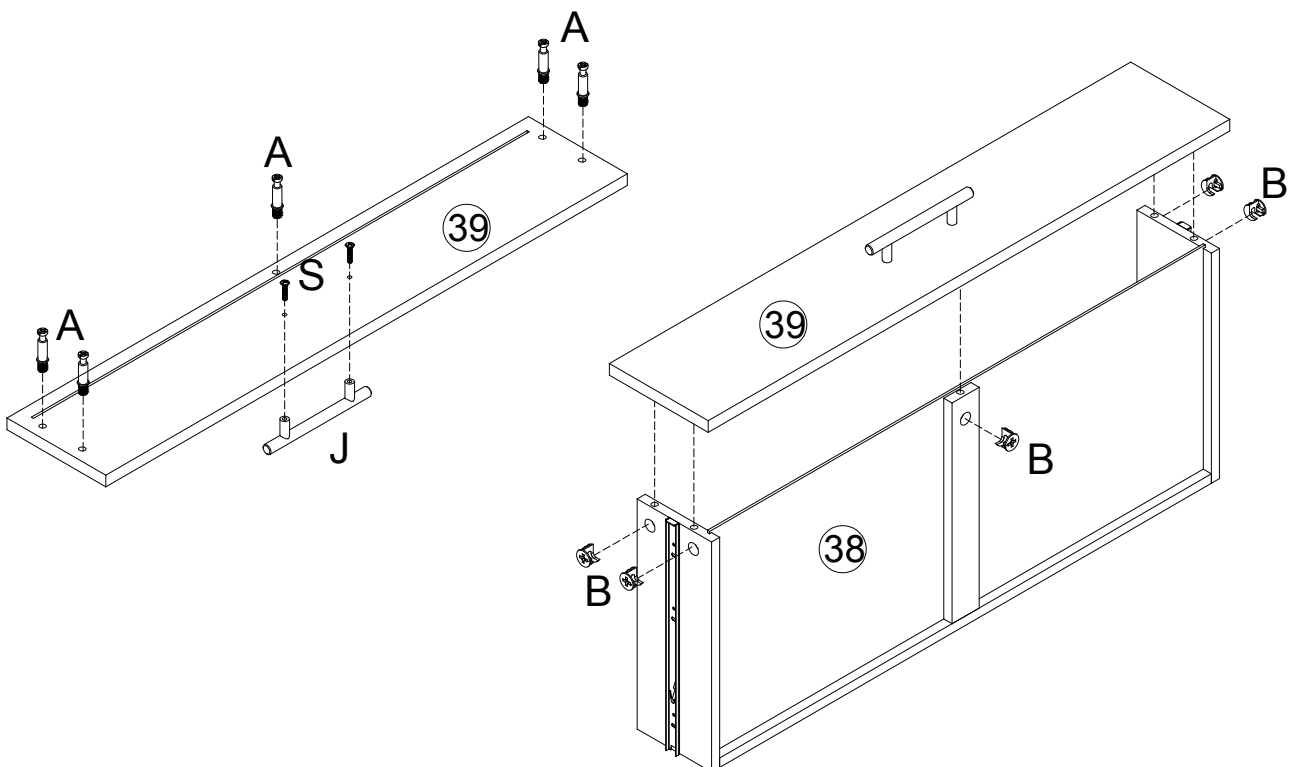
x2





STEP 20

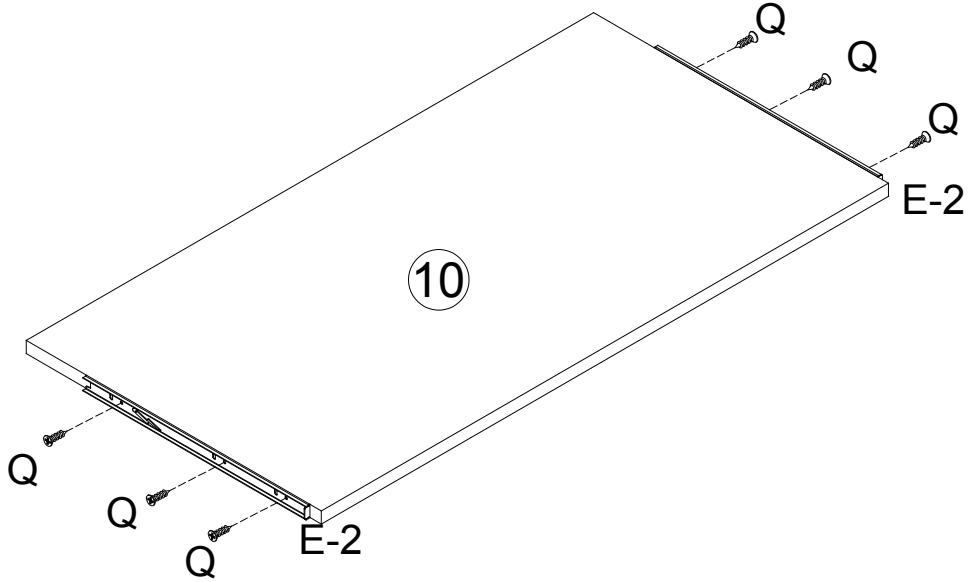
A	B	S	J
			
10(pcs)	10(pcs)	4(pcs)	2(pcs)

x2




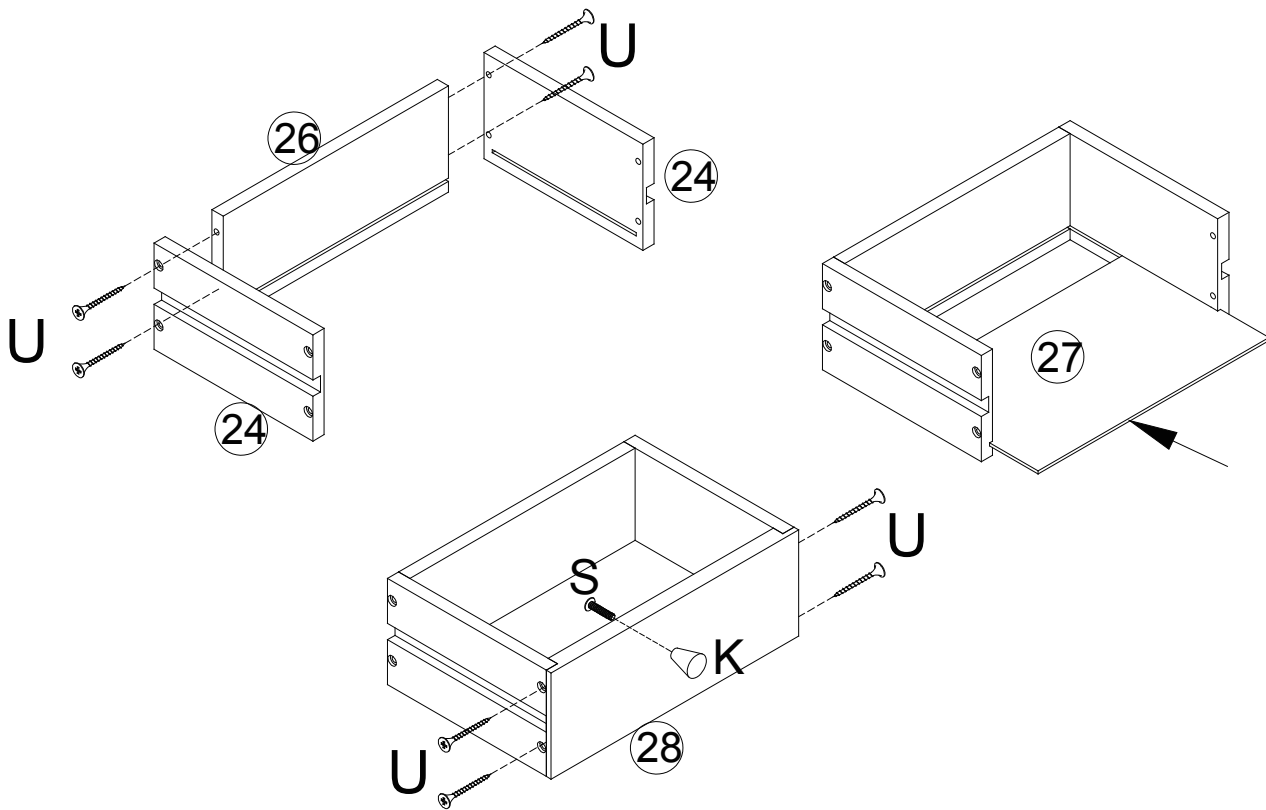
STEP 21

Q	E
	
6(pcs)	2(pcs)







STEP 22

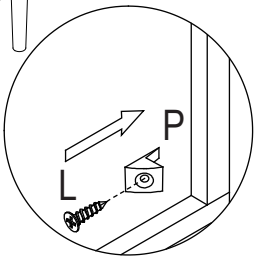
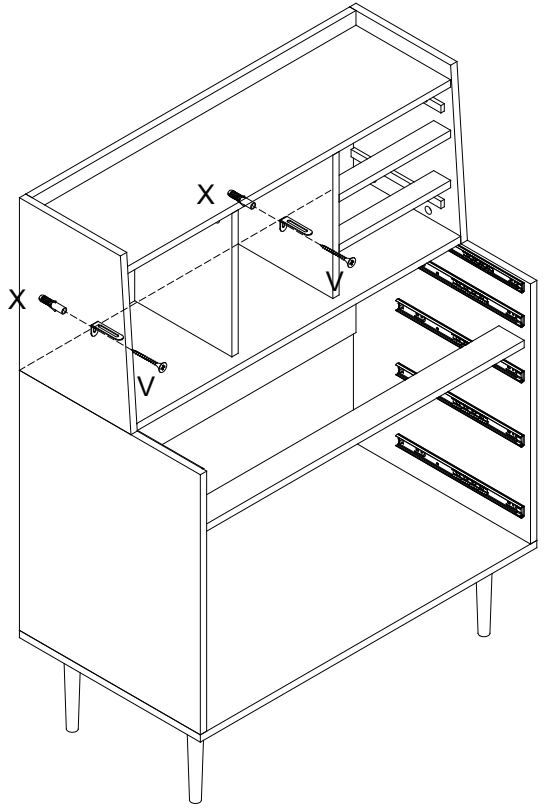
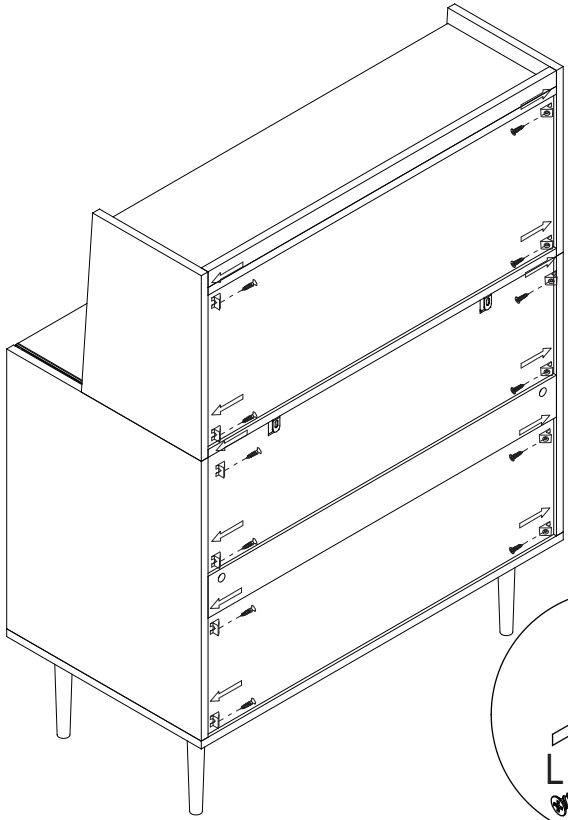
U

24(pcs)



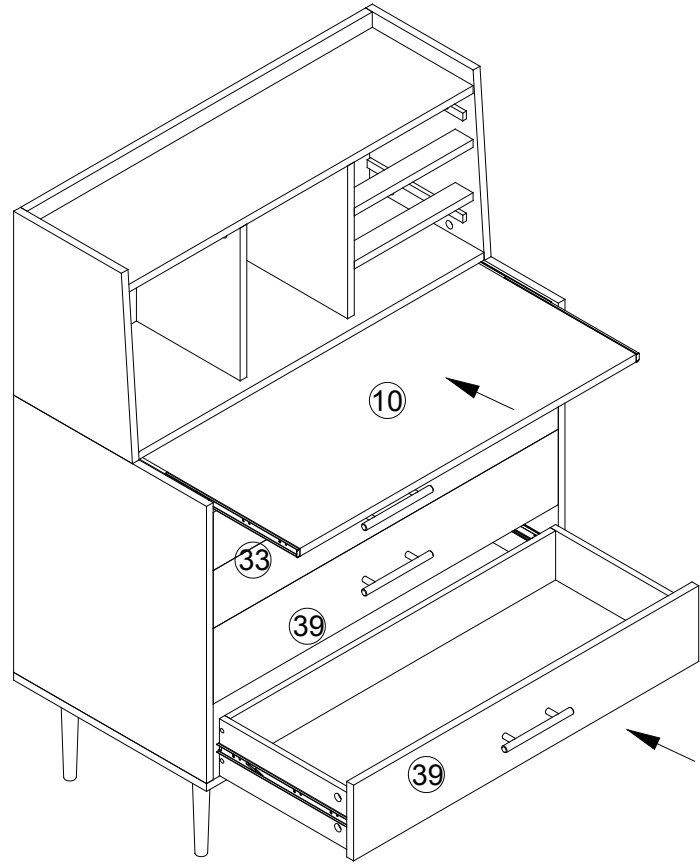
x3

STEP 23

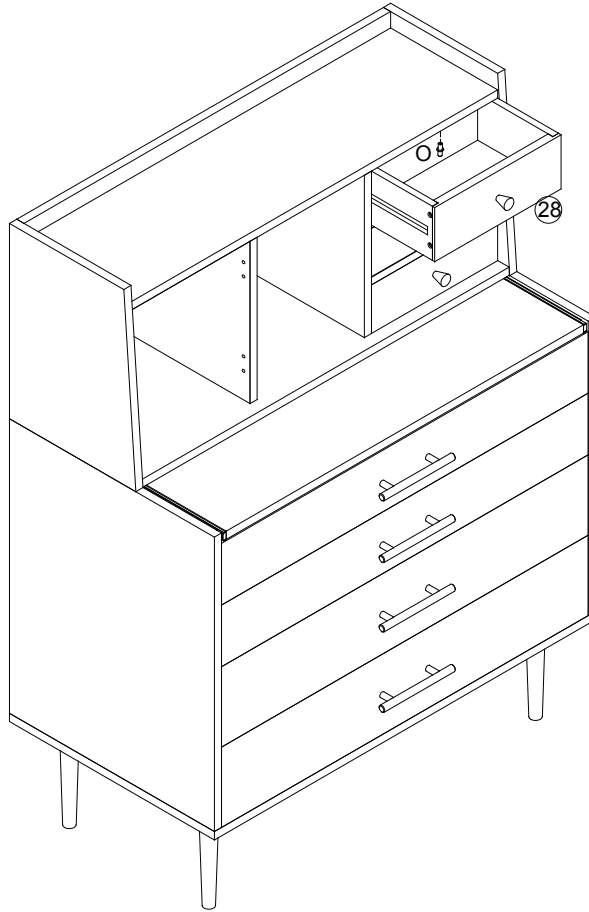
P	L	X	V
			
12(pcs)	12(pcs)	2(pcs)	2(pcs)





STEP 24

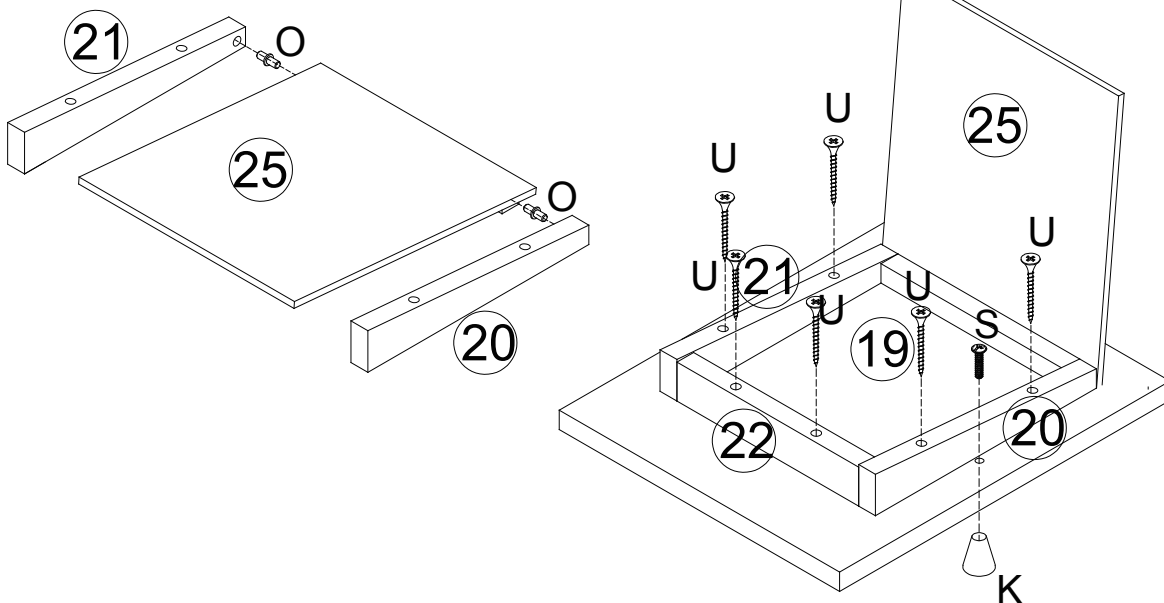


STEP 25

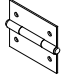



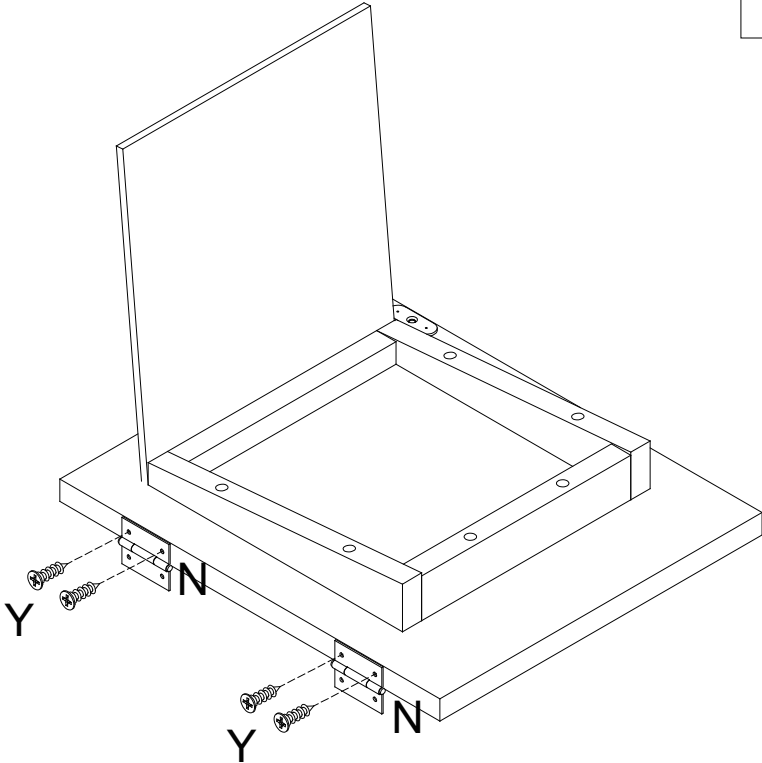
STEP 26

U	O
	
6(pcs)	2(pcs)




STEP 27

N		Y	
2(pcs)		4(pcs)	



STEP 28

Y	
4(pcs)	

