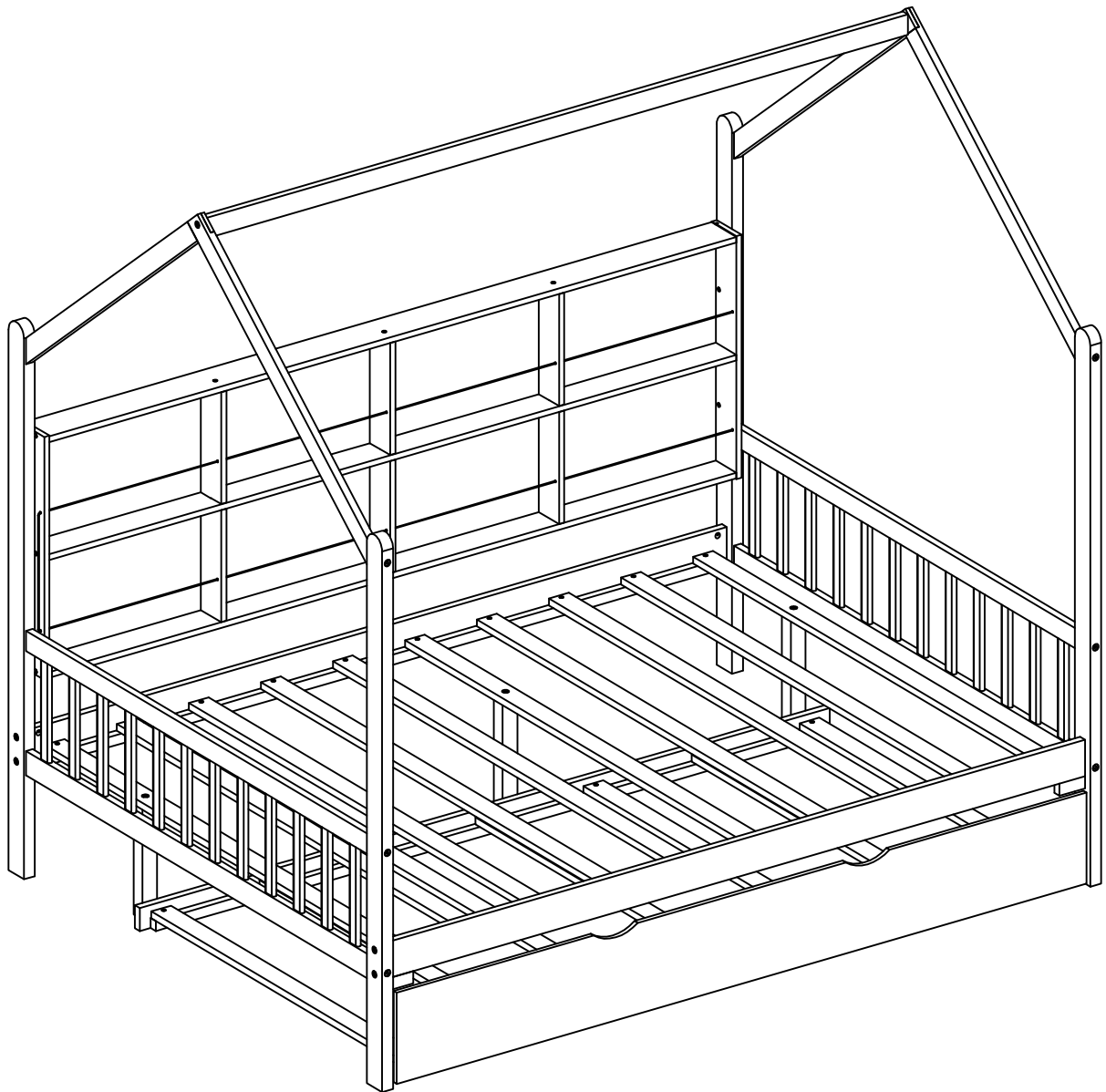
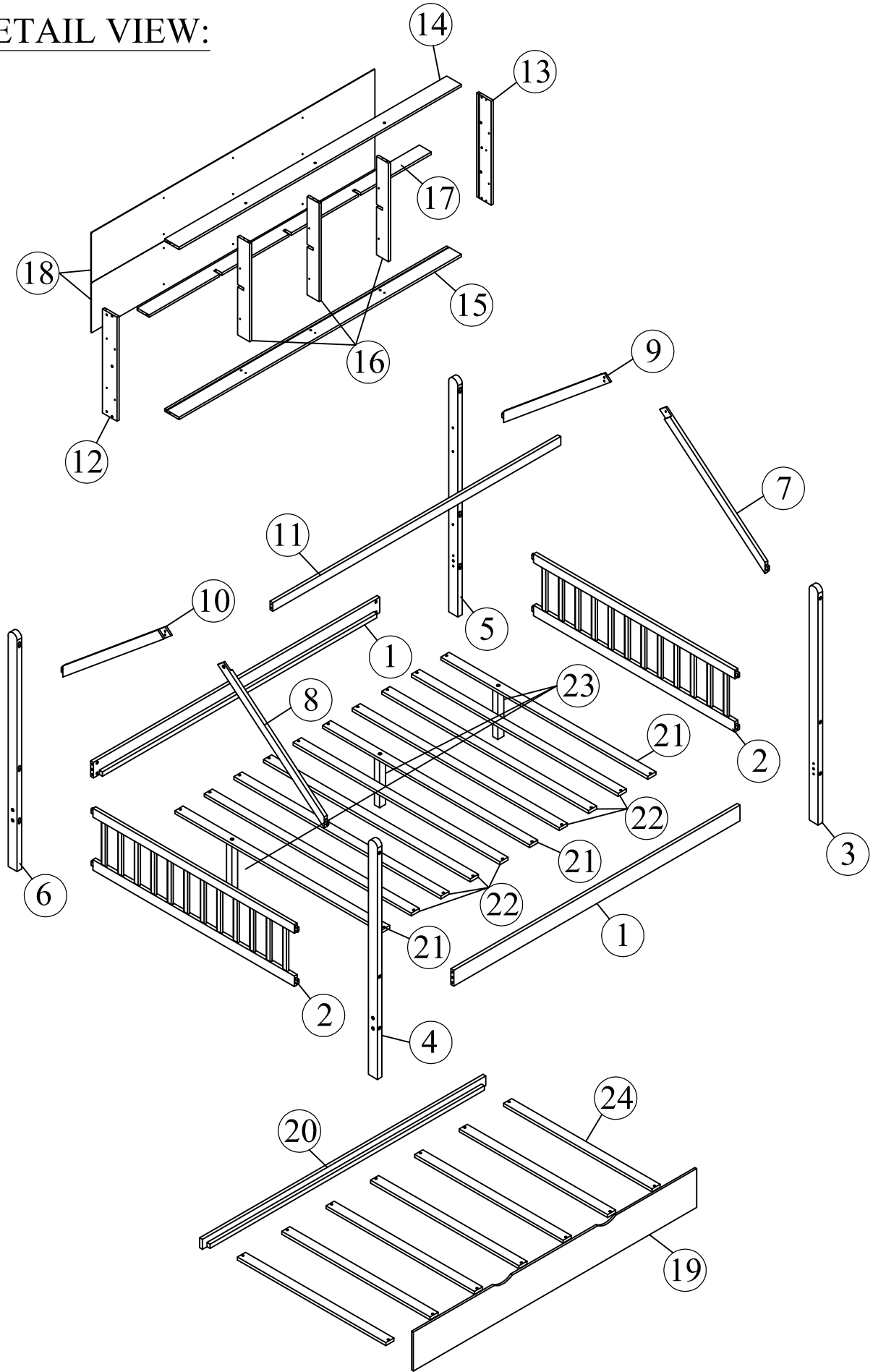


ASSEMBLY INSTRUCTION

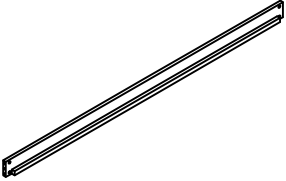
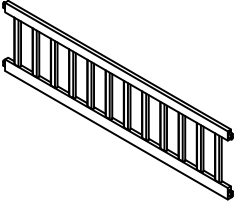




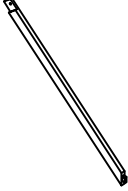
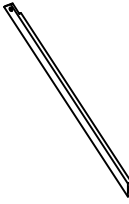


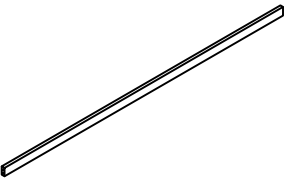


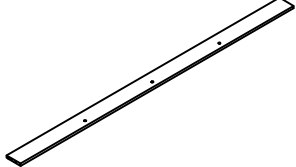
SKU CODE: WF297070



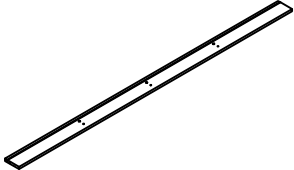

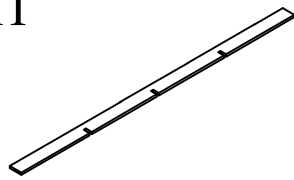
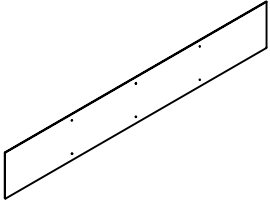
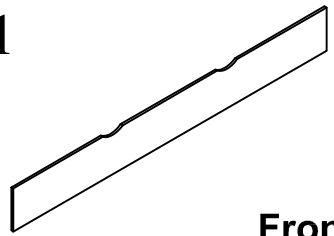
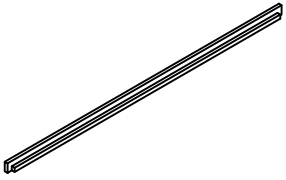
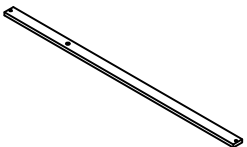
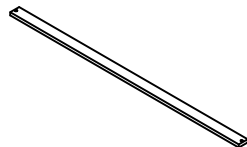

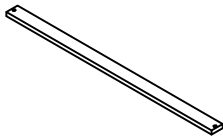
DETAIL VIEW:



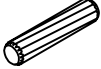
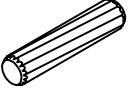






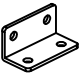
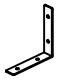



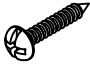
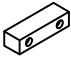

Part List (WF297070)

<p>① x2</p>  <p>Side Rails</p>	<p>② x2</p>  <p>Frames Headboards</p>
<p>③ x1</p>  <p>Front Right Leg</p>	<p>④ x1</p>  <p>Front Left Leg</p>
<p>⑤ x1</p>  <p>Back Right Leg</p>	<p>⑥ x1</p>  <p>Back Left Leg</p>
<p>⑦ x1</p>  <p>Front Right Roof Rail</p>	<p>⑧ x1</p>  <p>Front Left Roof Rail</p>
<p>⑨ x1</p>  <p>Back Right Roof Rail</p>	<p>⑩ x1</p>  <p>Back Left Roof Rail</p>
<p>⑪ x1</p>  <p>Roof Rail</p>	<p>⑫ x1</p>  <p>Left Side Shelf</p>
<p>⑬ x1</p>  <p>Right Side Shelf</p>	<p>⑭ x1</p>  <p>Top Shelf</p>

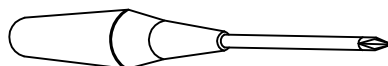
Part List (WF297070)

<p>①⑤ x1</p>  <p>Bottom Shelf</p>	<p>①⑥ x3</p>  <p>Shelf</p>
<p>①⑦ x1</p>  <p>Shelf</p>	<p>①⑧ x2</p>  <p>Back Shelf</p>
<p>①⑨ x1</p>  <p>Front Trundle</p>	<p>②⑩ x1</p>  <p>Back Trundle</p>
<p>②① x3</p>  <p>Slats</p>	<p>②② x7</p>  <p>Slats</p>
<p>②③ x3</p>  <p>Support Legs</p>	<p>②④ x7</p>  <p>Slats</p>


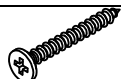
Hardware List WF297070

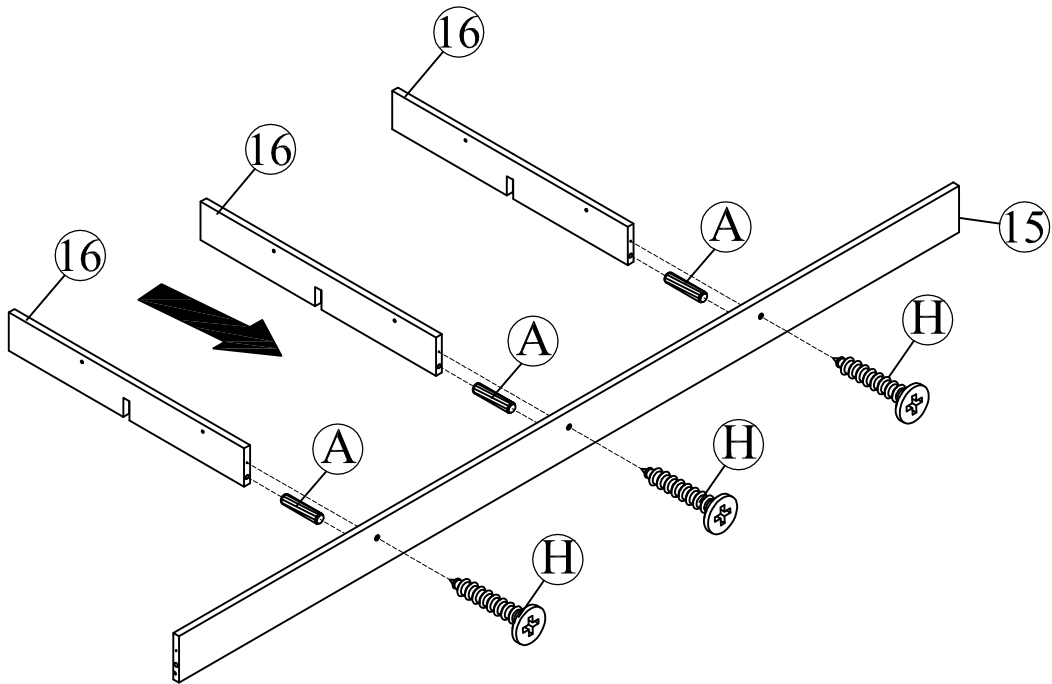
No.	OUTLOOK	DESC	QTY
(A)		Dowel Ø8*30mm	18
(B)		Dowel Ø10*40mm	4
(C)		Screws Ø6.5*70mm	12
(D)		Bolts 1/4"*25mm	7
(E)		Bolts 1/4"*70mm	10
(F)		Screws #6*12mm	36
(G)		Screws #8*25mm	38
(H)		Screws #8*35mm	12
(I)		Base L small	2
(J)		Base L long	2
(K)		Wheels	4
(M)		Rip cord 4150mm	1
(N)		Allen key 60*22*4mm	1
(O)		Round head screw #8*20mm	12
(P)		Wood stops	2
(Q)		Base L	2

ASSEMBLY TOOLS REQUIRED (NOT INCLUDED)

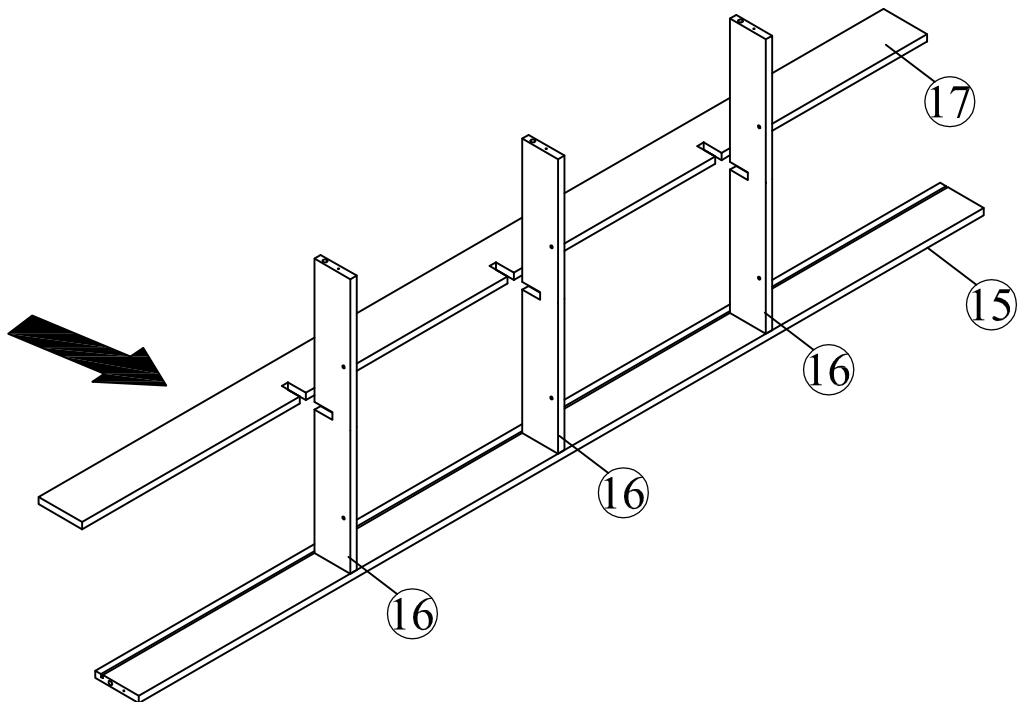


STEP 1:


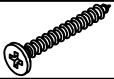
(A)		03
(H)		03

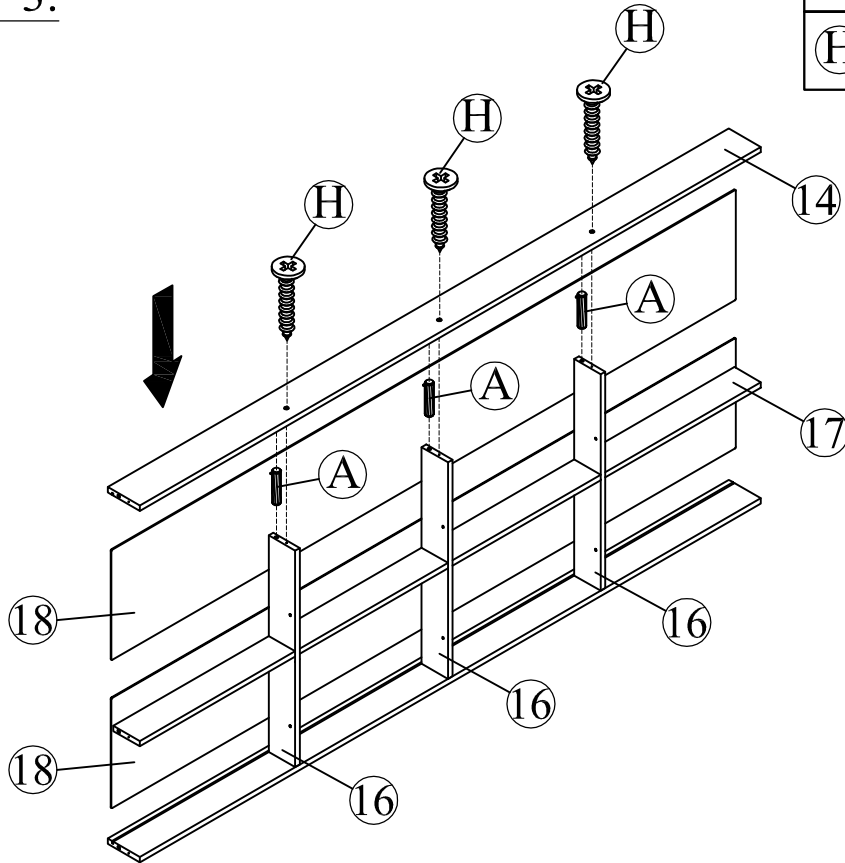


STEP 2:

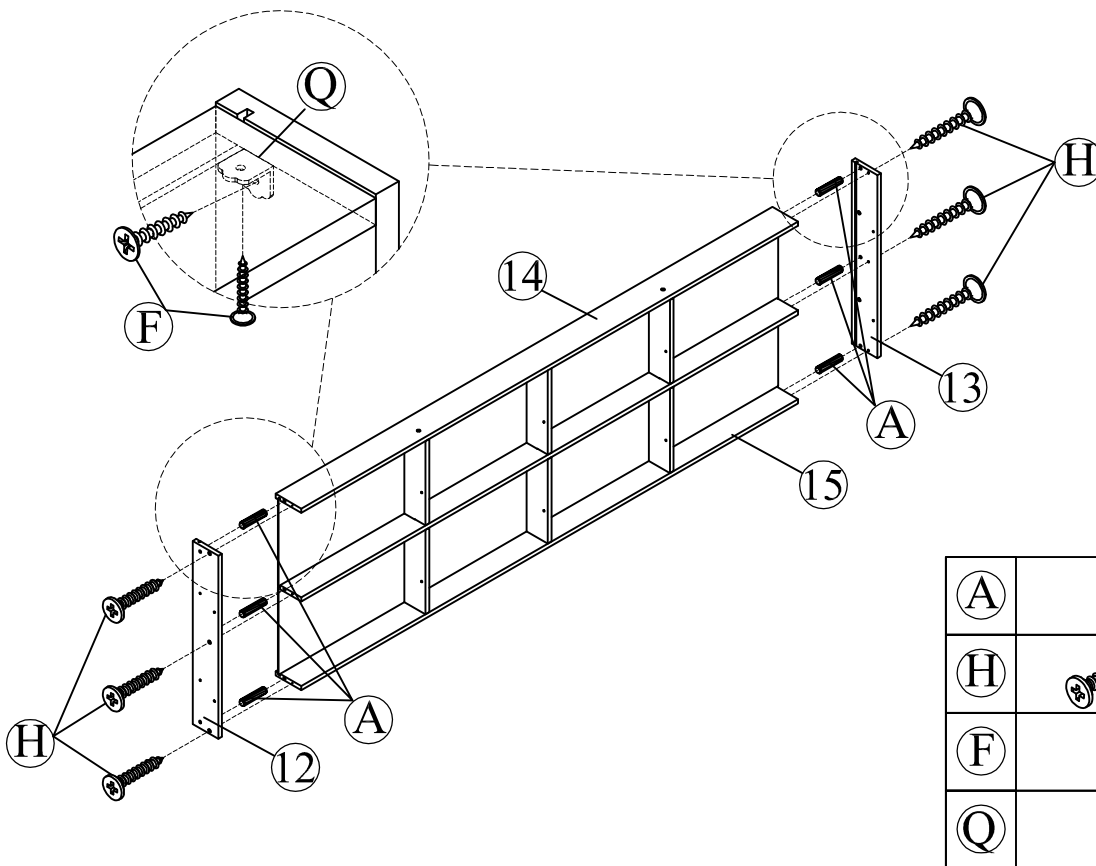



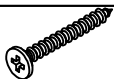


STEP 3:

(A)		03
(H)		03




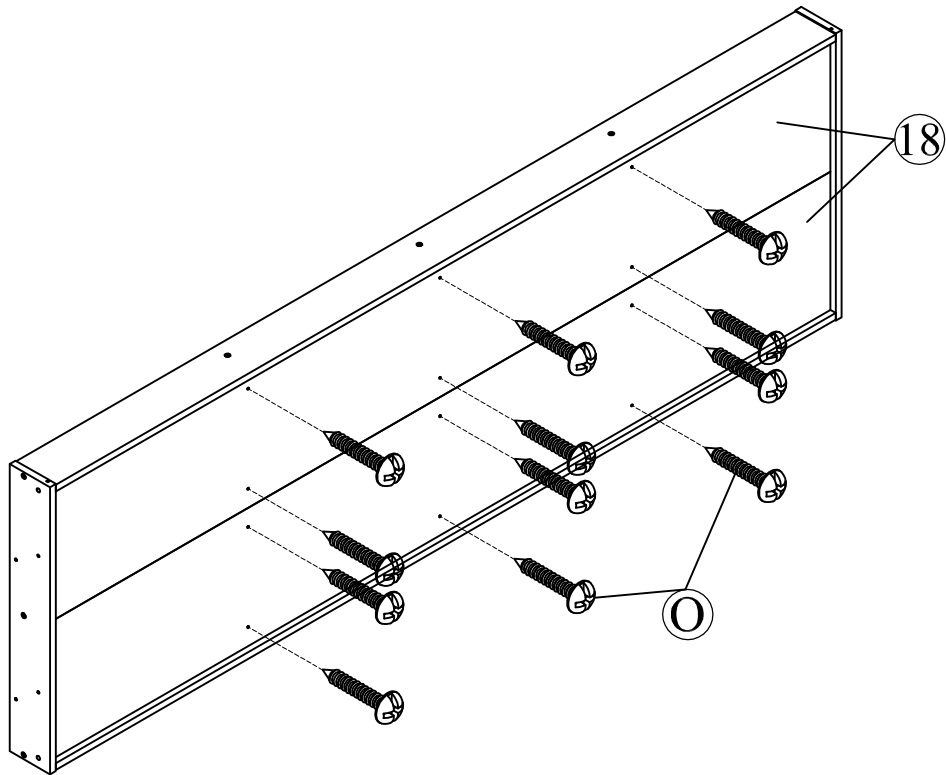
STEP 4:




(A)		06
(H)		06
(F)		04
(Q)		02

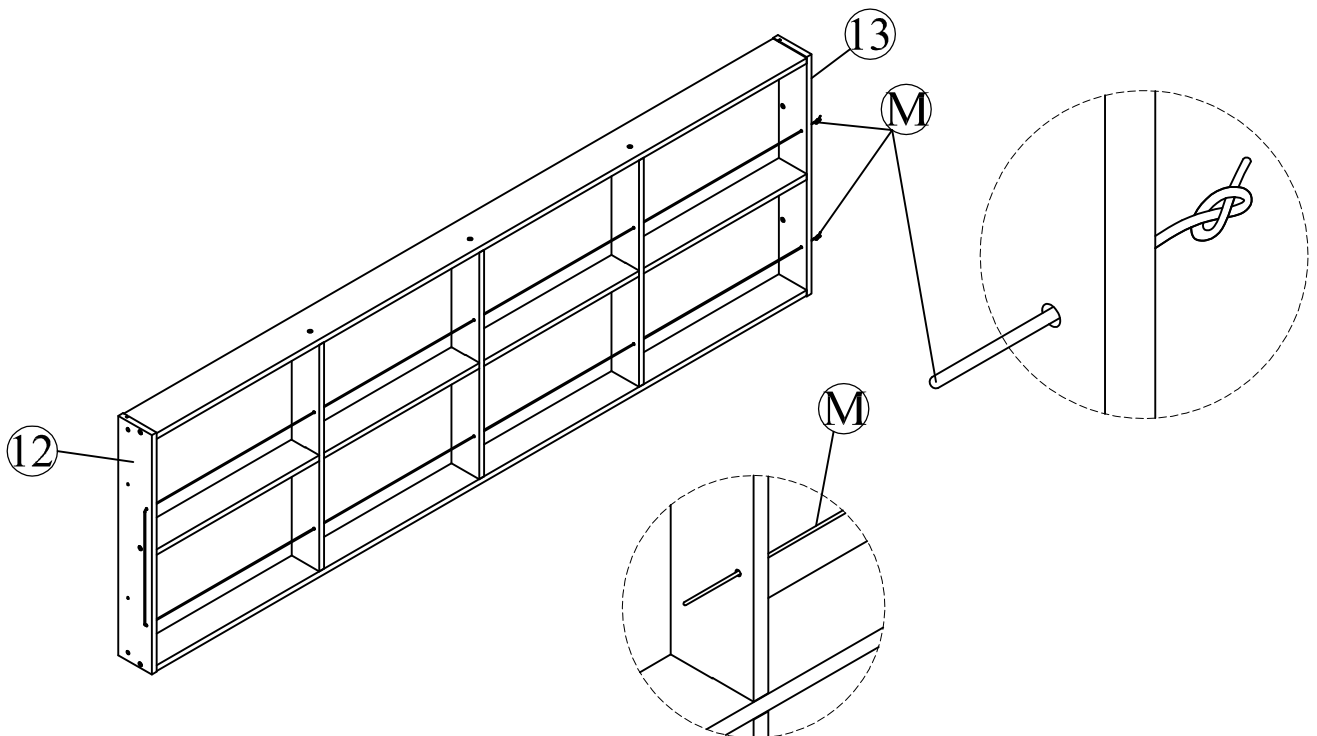
STEP 5:

O		12
---	---	----





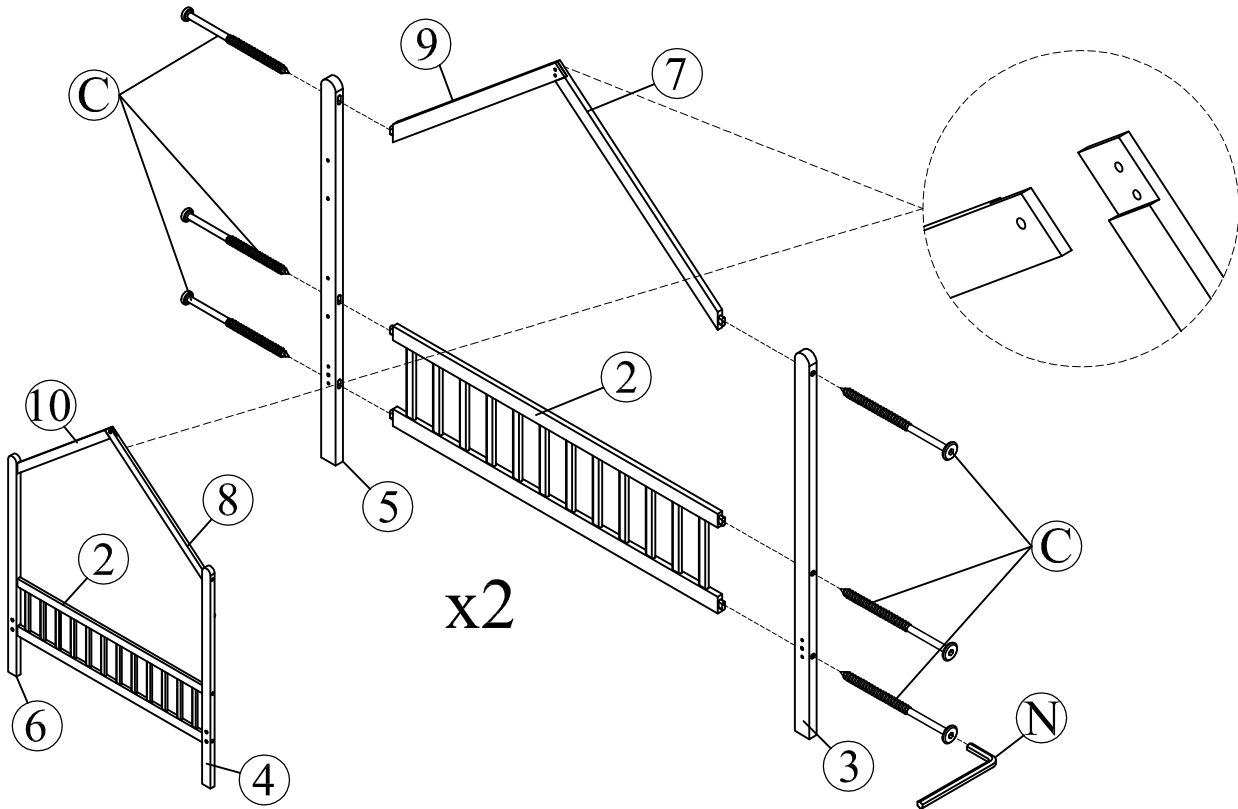
STEP 6:

M		01
---	---	----




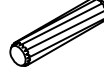


STEP 7:

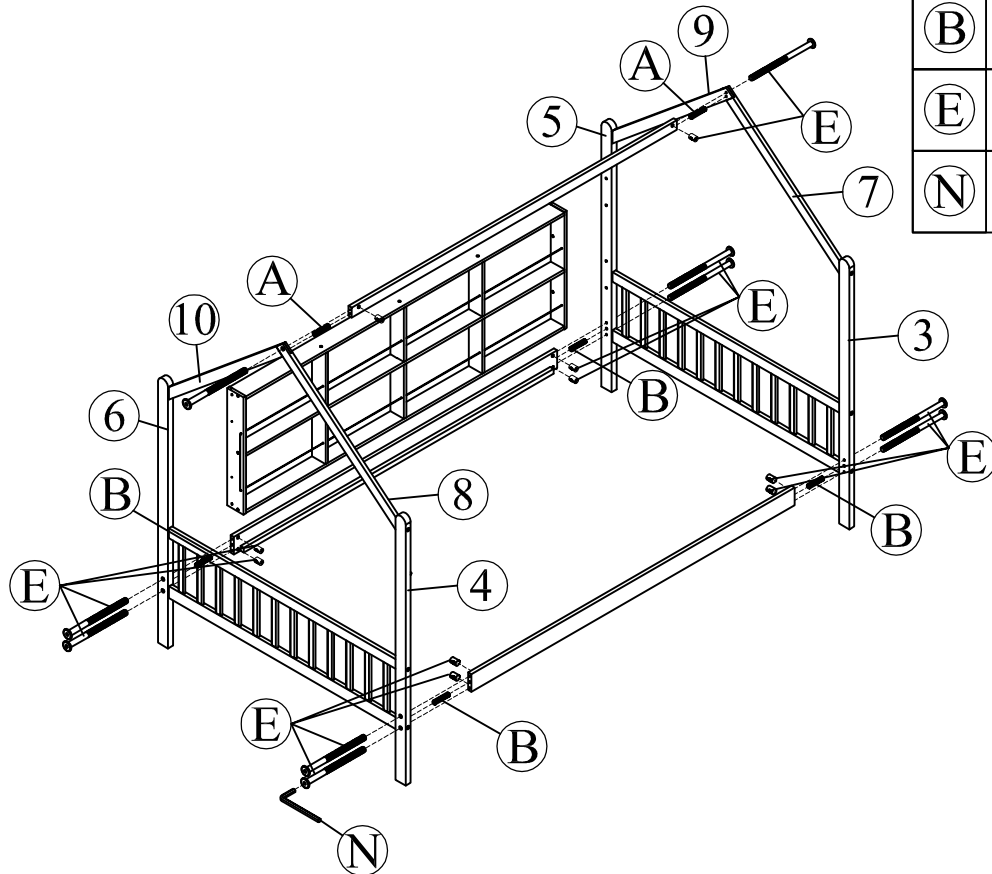
(C)		12
(N)		01



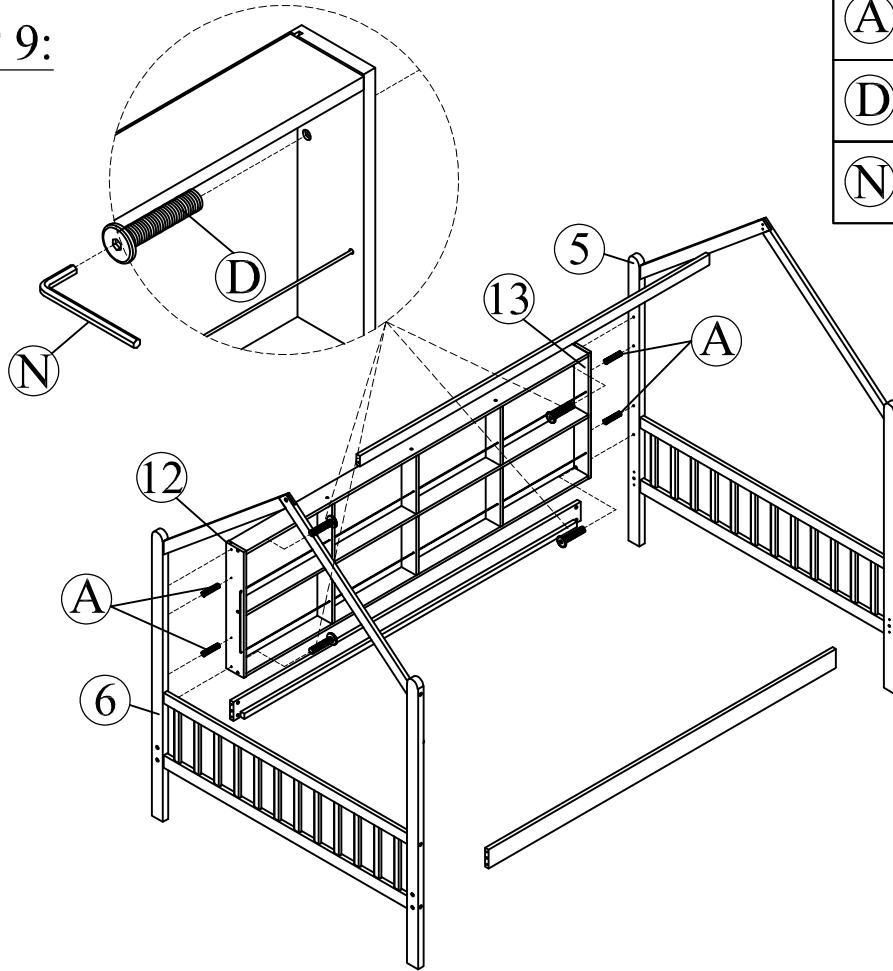
x2

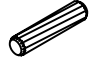


STEP 8:

(A)		02
(B)		04
(E)		10
(N)		01

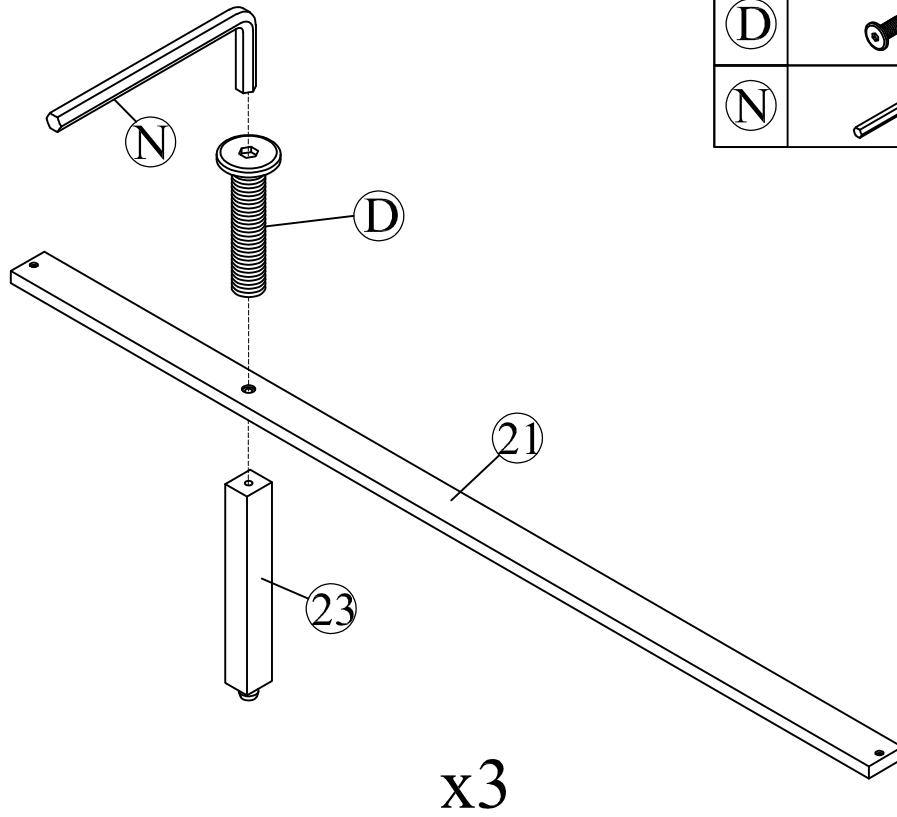




STEP 9:




(A)		04
(D)		04
(N)		01

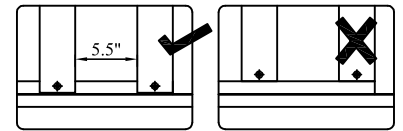
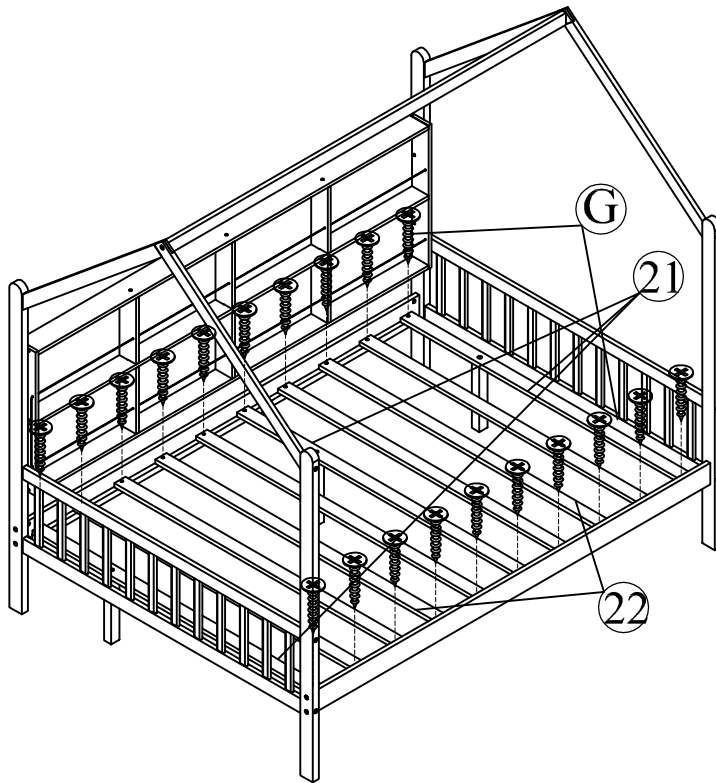
STEP 10:





(D)		03
(N)		01

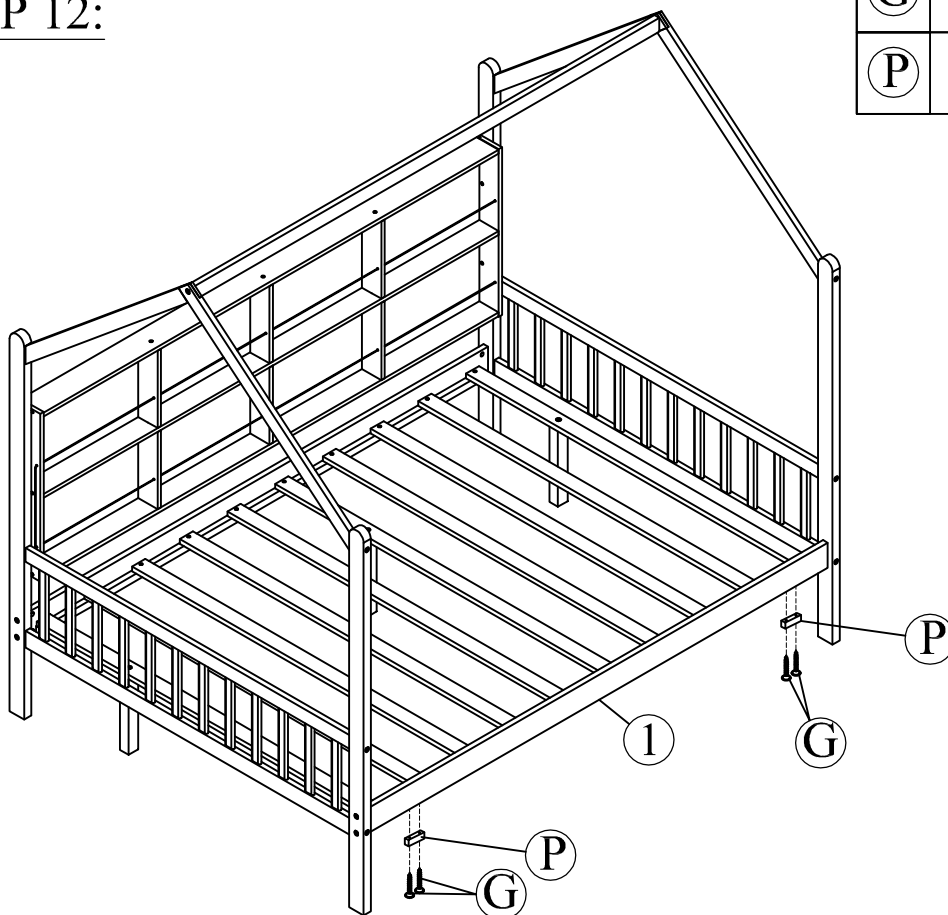
STEP 11:

G		20
---	---	----





STEP 12:

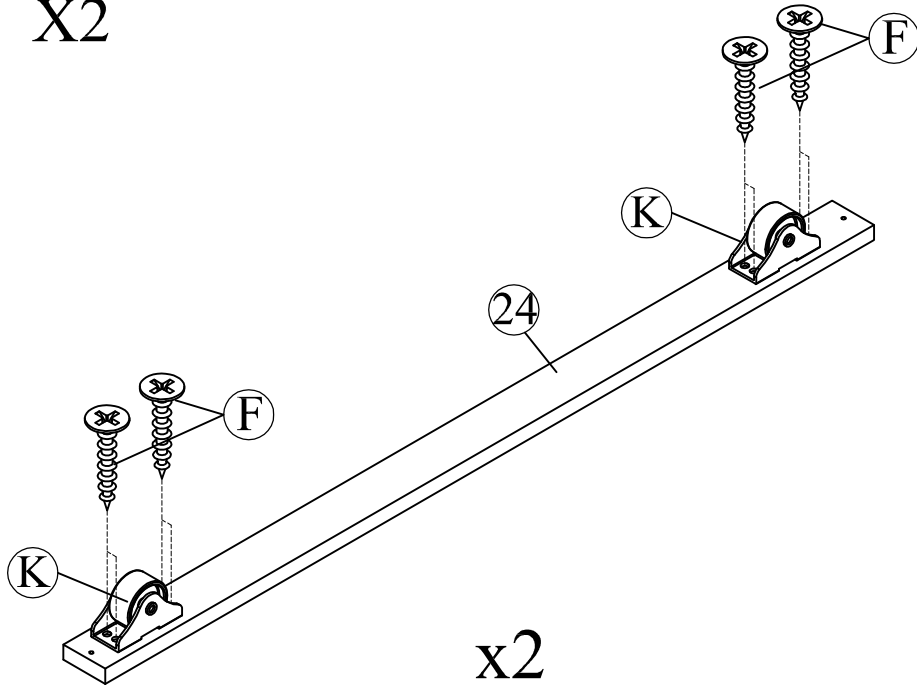
G		04
P		02



STEP 13:

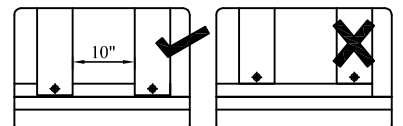
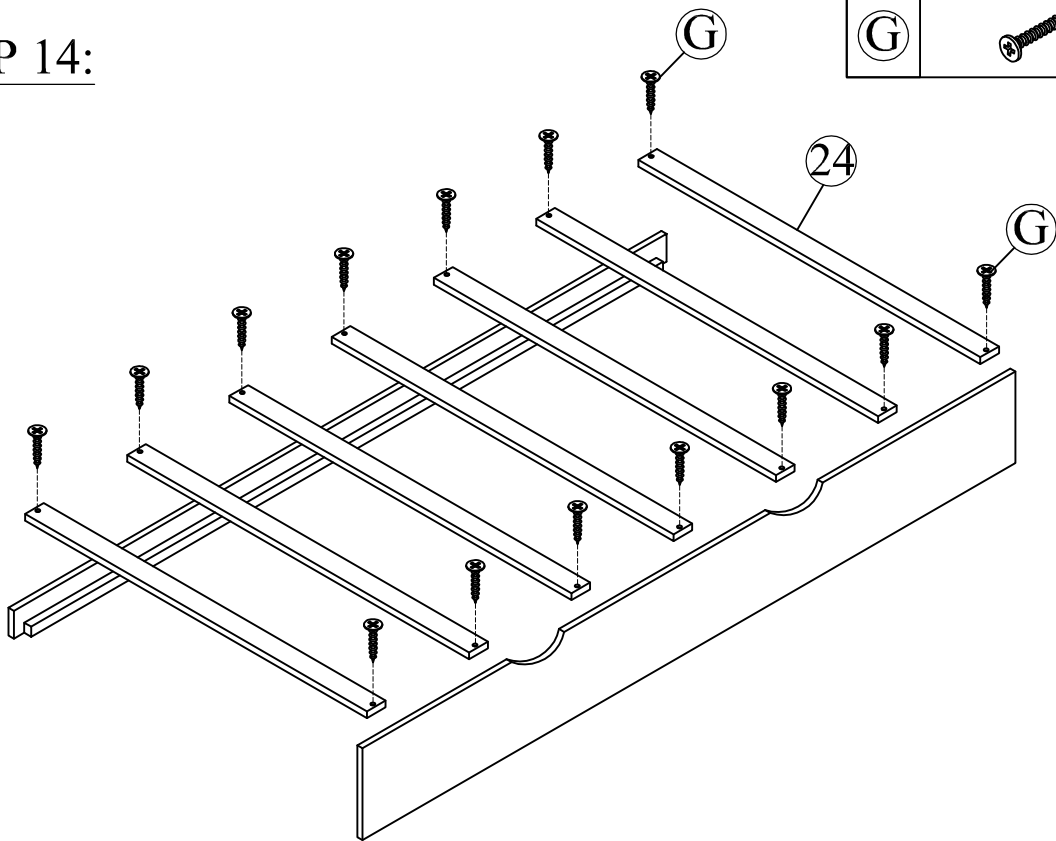
(F)		16
(K)		04

X2






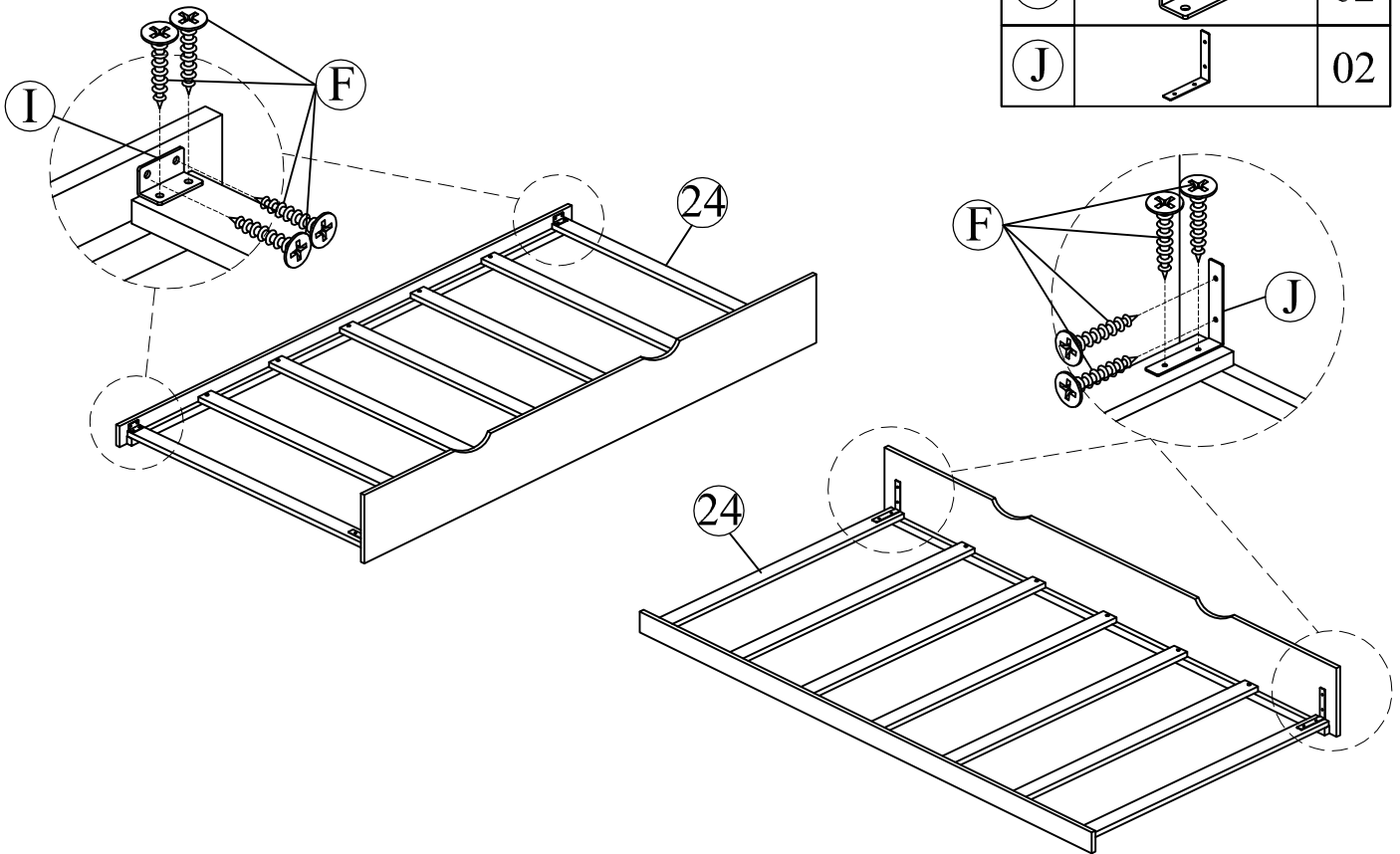
STEP 14:

(G)		14
-----	---	----

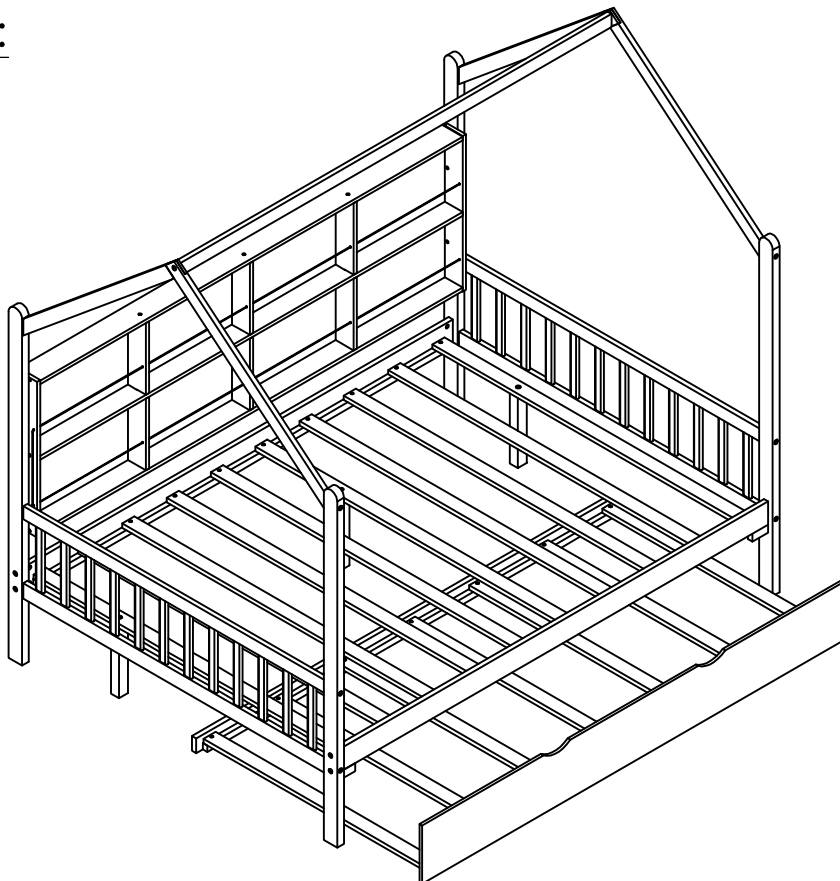


STEP 15:

(F)		16
(I)		02
(J)		02



STEP 16:



FINAL:

