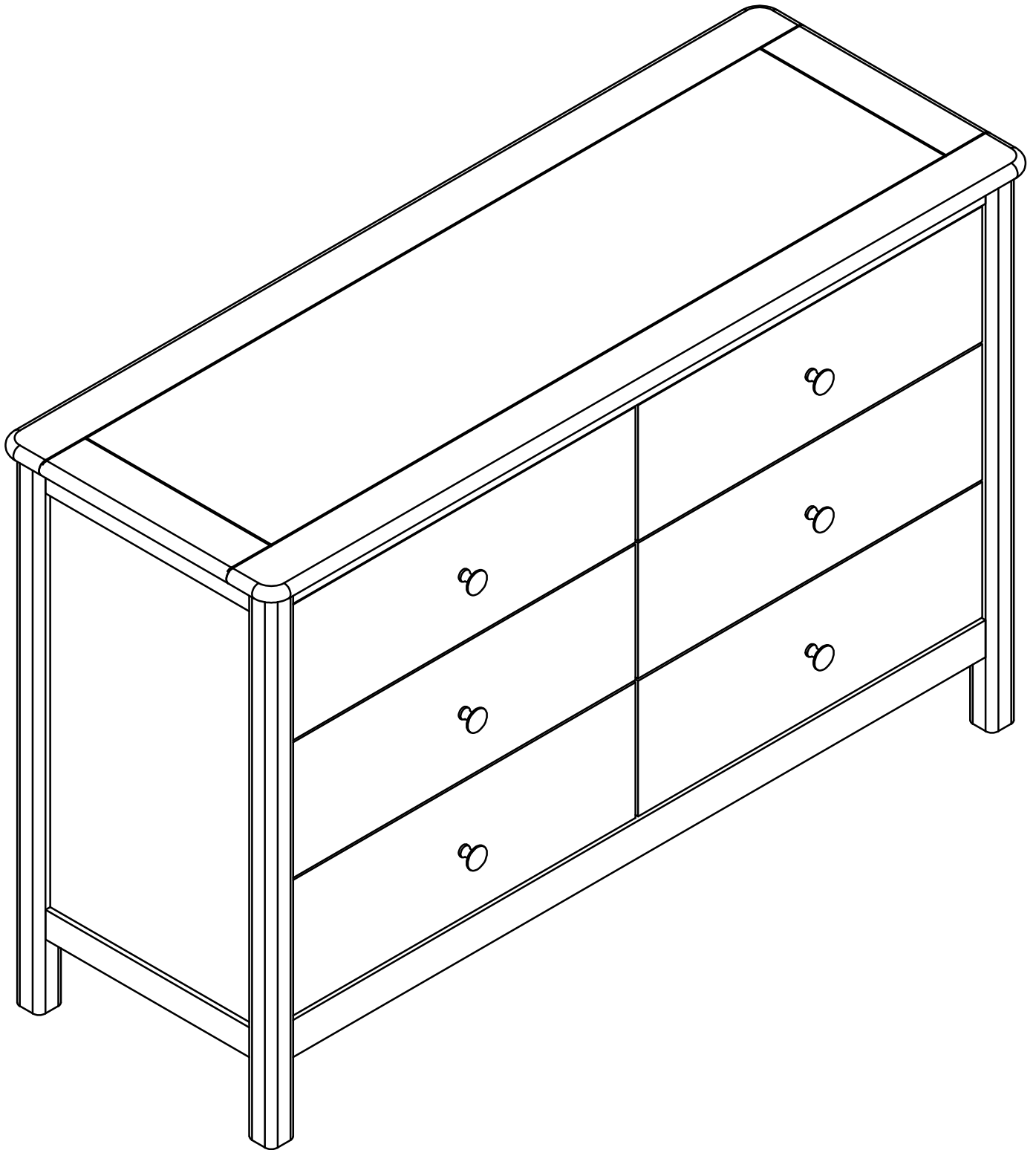
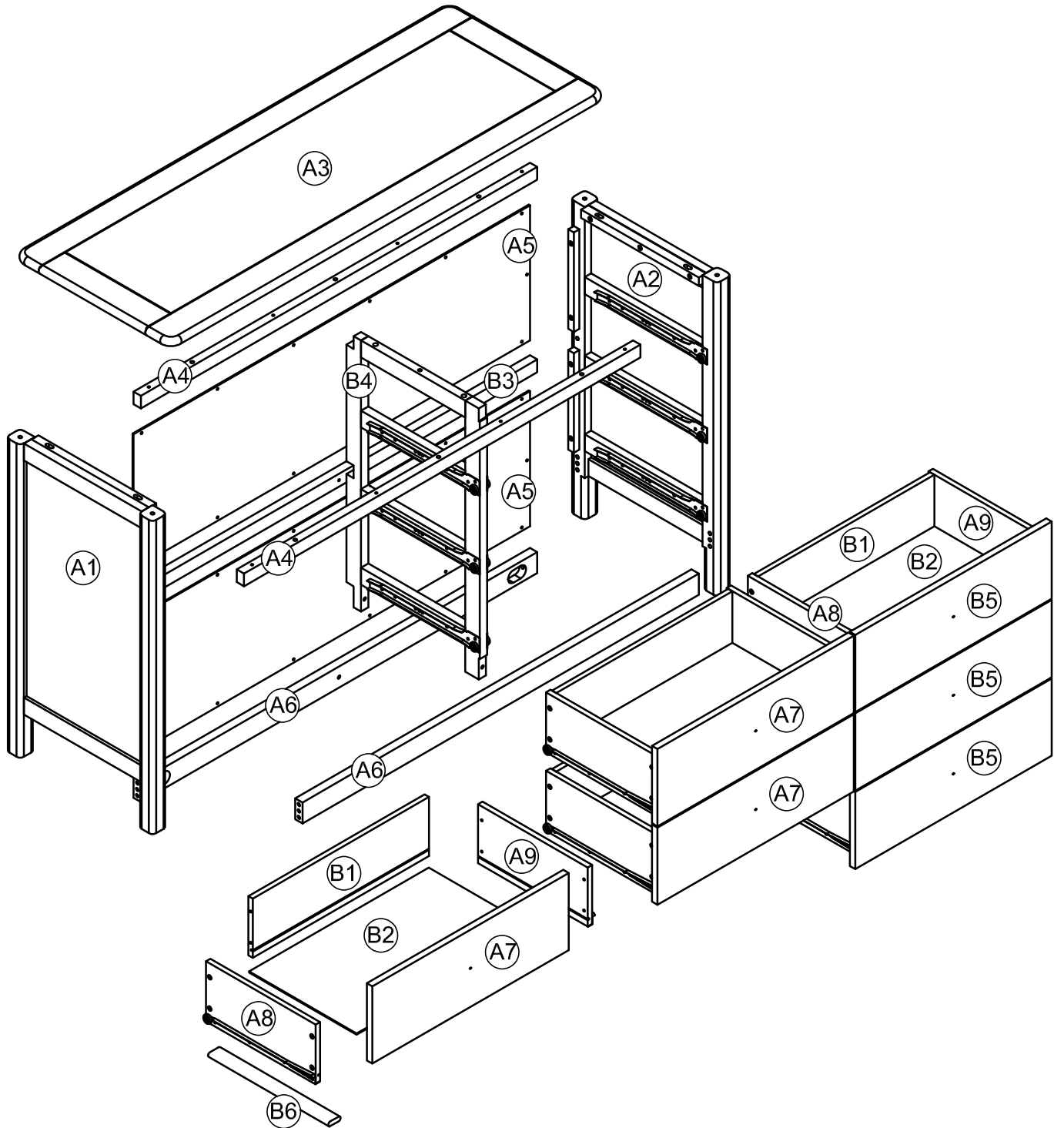


ASSEMBLY INSTRUCTION

SKU CODE: (WF297964)

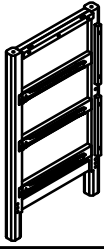


ASSEMBLY INSTRUCTION



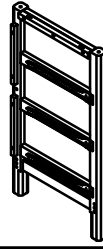
Part List & Hardware List (Box 1-WF297964)

A1



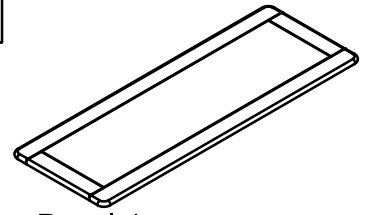
Left frame- 1pc

A2



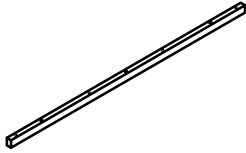
Right frame- 1pc

A3



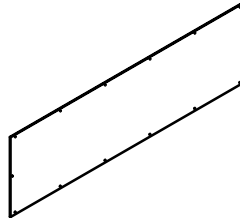
Top Panel-1pc

A4



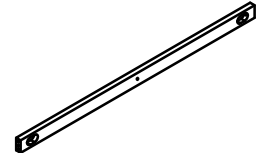
WoodBar-2pcs

A5



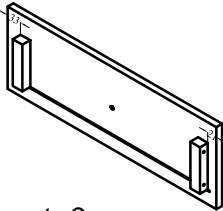
Back panel-2pcs

A6



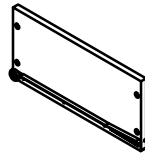
WoodBar-2pcs

A7



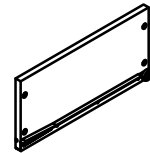
Drawer front -3pcs

A8



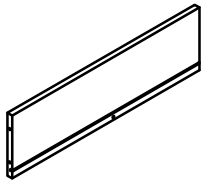
Drawer Left-6pcs

A9



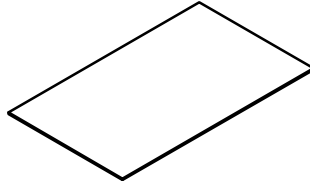
Drawer Right-6pcs

B1



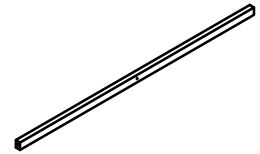
Drawer Rear-6pcs

B2



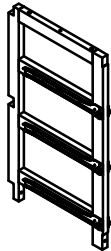
Drawer Bottom Panels-6pcs

B3



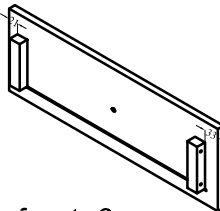
WoodBar-1pc

B4



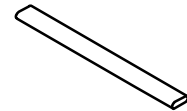
Centre Frame-1pc

B5




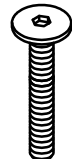
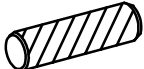





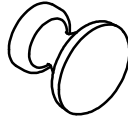


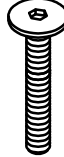



Drawer front -3pcs

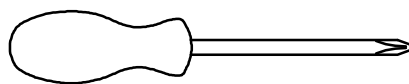
B6



WoodBar-6pcs

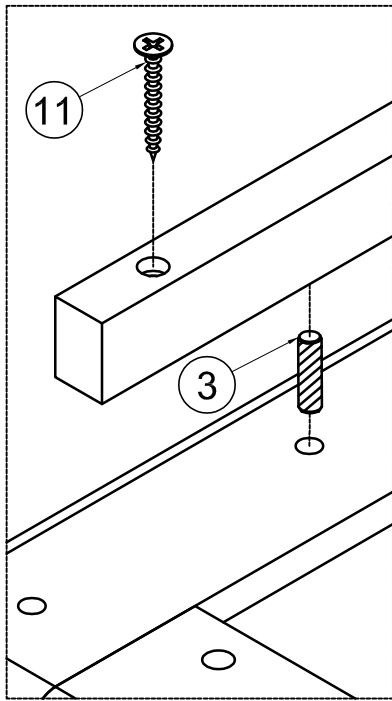
Hardware List (Box 1-WF297964)



<p>1</p>  <p>Ø1/4" x 35 mm Hex-Head bolts 5pcs</p>	<p>2</p>  <p>Ø1/4" x 45 mm Hex-Head bolts 4pcs</p>	<p>3</p>  <p>Ø8 x 30 mm Wood dowel 21pcs</p>
<p>4</p>  <p>Washer 4pcs</p>	<p>5</p>  <p>Washer 8pcs</p>	<p>6</p>  <p>M4 x 30 mm Wood Screws 55pcs</p>
<p>7</p>  <p>M4 x 15 mm Wood Screws 28pcs</p>	<p>8</p>  <p>M4 x 25 mm Wood Screws 6pcs</p>	<p>9</p>  <p>Handle Wood 6pcs</p>
<p>10</p>  <p>Allen Key 1pc</p>	<p>11</p>  <p>M4 x 40 mm Wood Screws 8pcs</p>	<p>12</p>  <p>Ø1/4" x 50 mm Hex-Head bolts 3pcs</p>
<p>13</p>  <p>2pcs</p>	<p>14</p>  <p>1pc</p>	<p>15</p>  <p>M4 x 20 mm Wood Screws 2pcs</p>

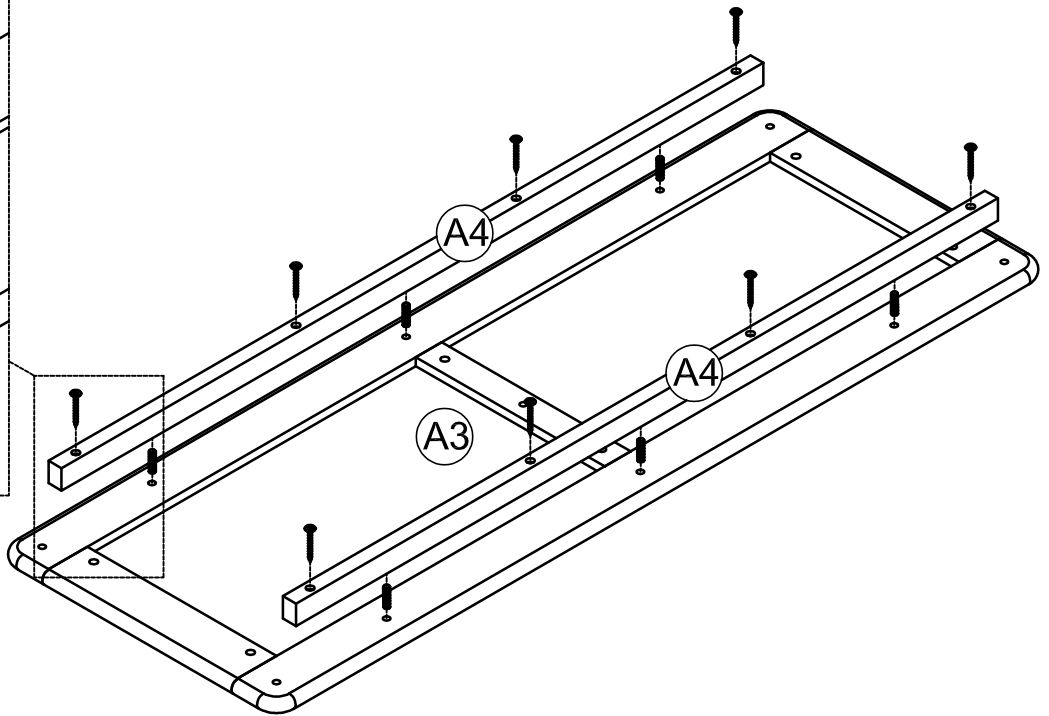


Assembly Tools Required (Not Included)

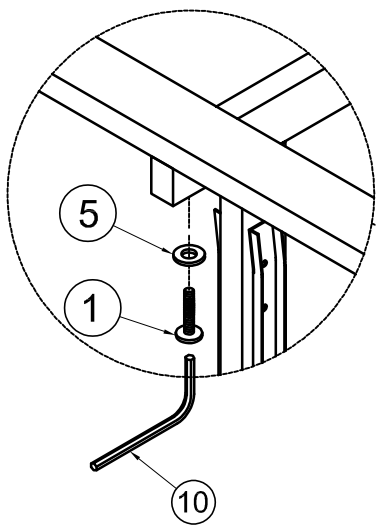
STEP1: Following below illustration.



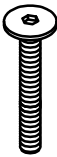


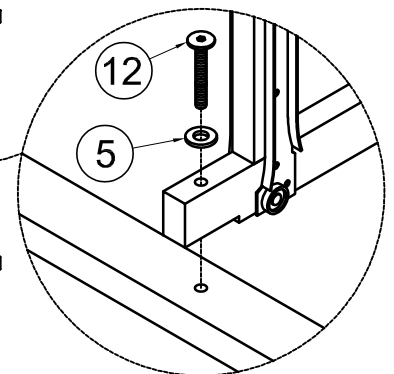
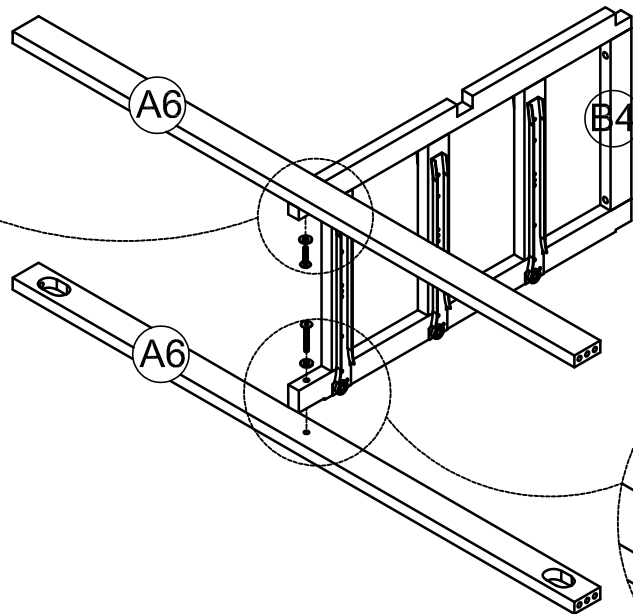
3		11	
6(pcs)		8(pcs)	





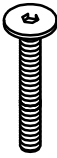
STEP2: Following below illustration.

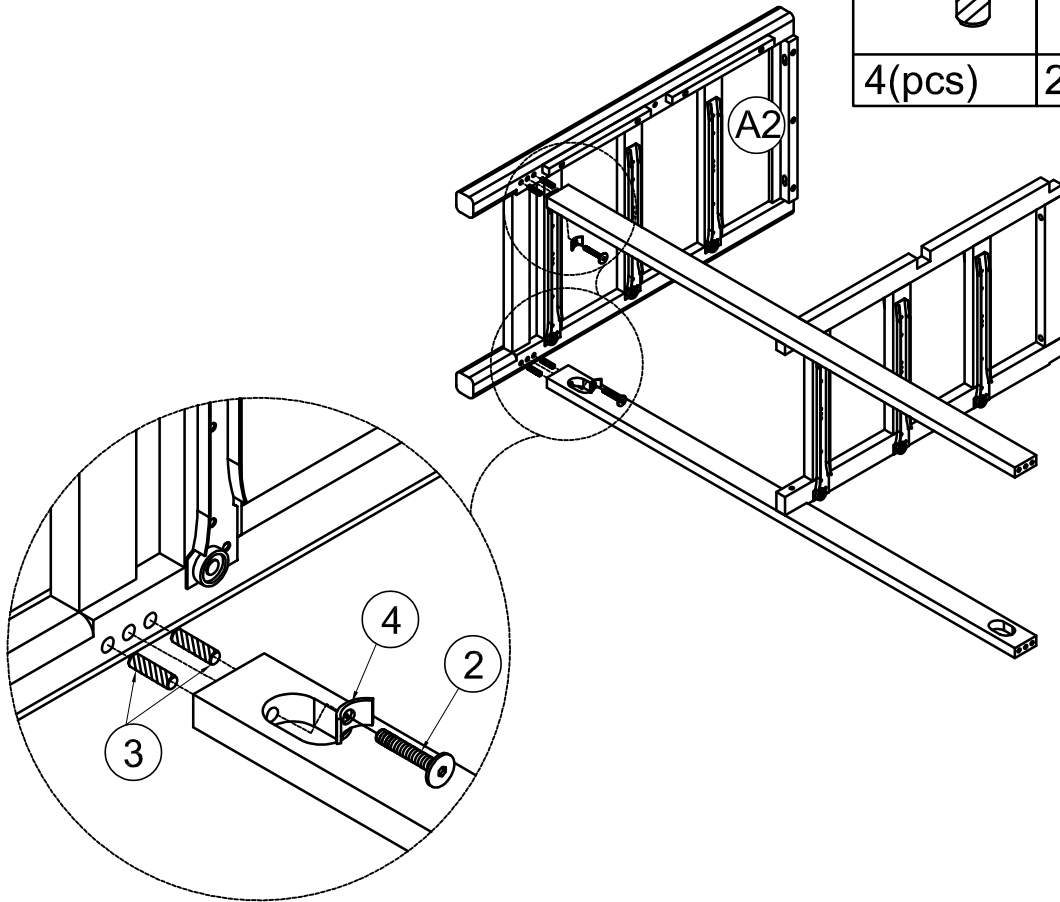


5		1	
2(pcs)		1(pc)	
		12	
		1(pc)	



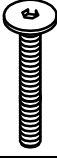


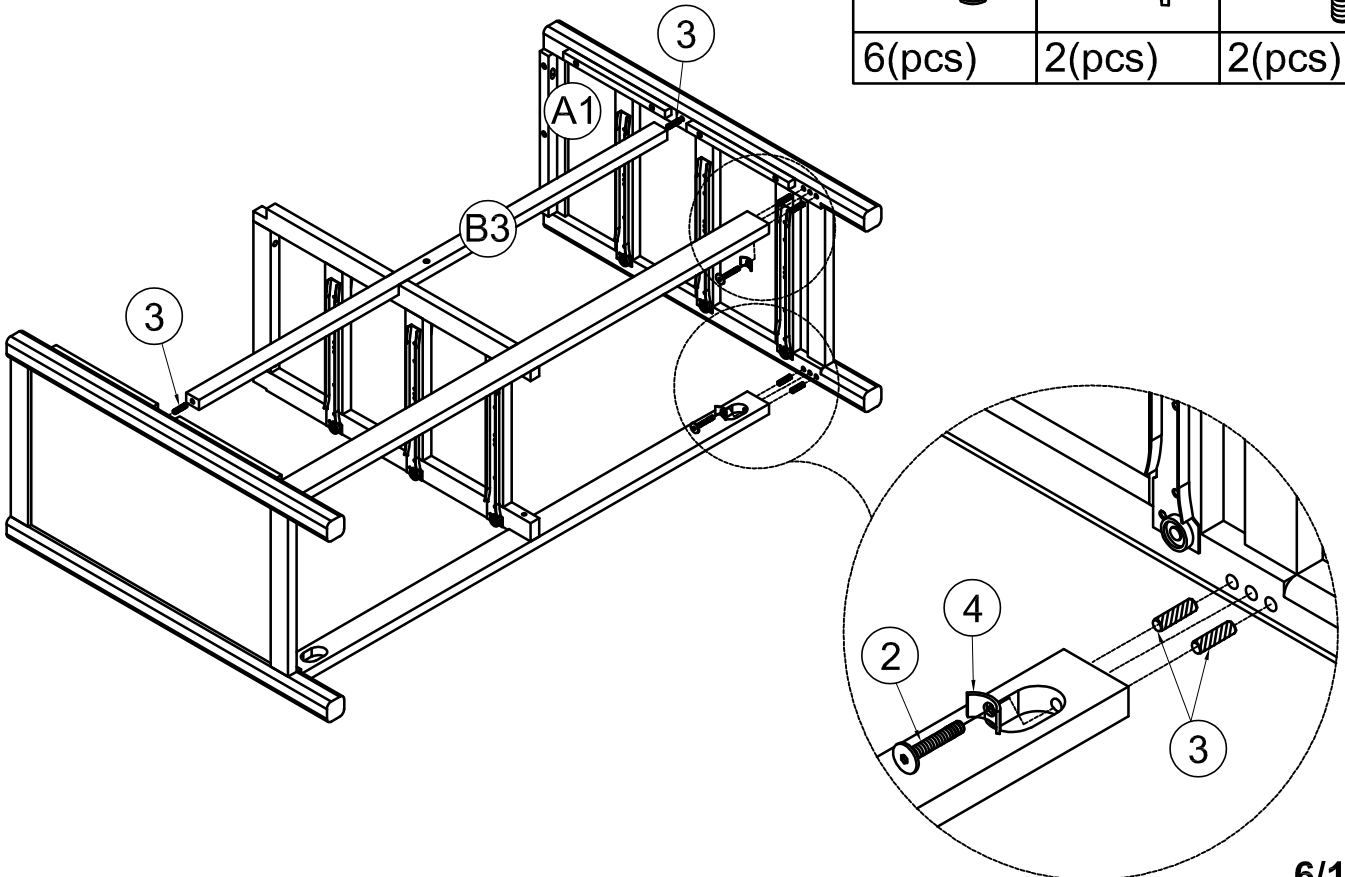
STEP3: Following below illustration.

3		4		2	
4(pcs)		2(pcs)		2(pcs)	

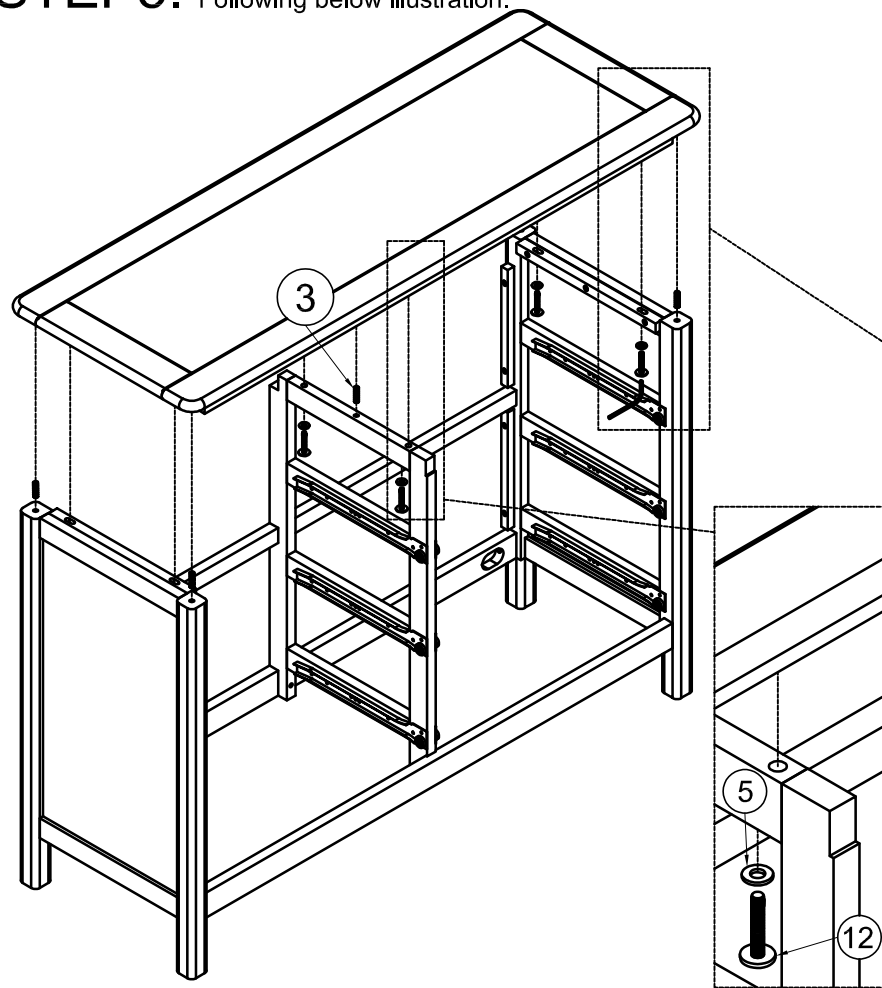


STEP4: Following below illustration.

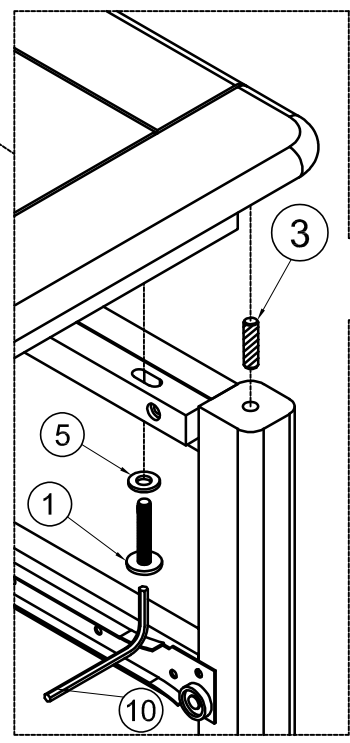
3		4		2	
6(pcs)		2(pcs)		2(pcs)	



STEP5: Following below illustration.

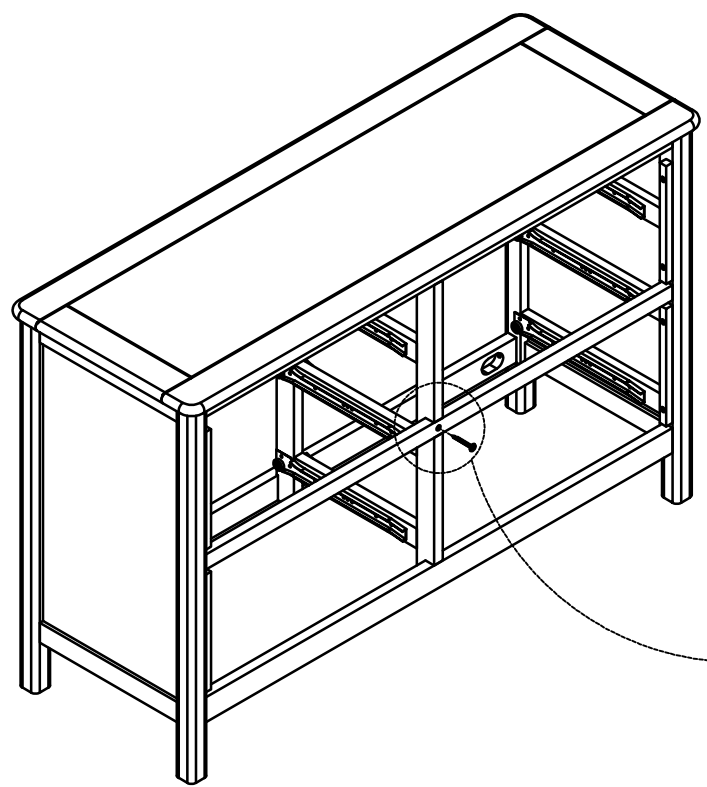


12		5		1	
2(pc)		6(pcs)		4(pc)	
				3	
				5(pcs)	

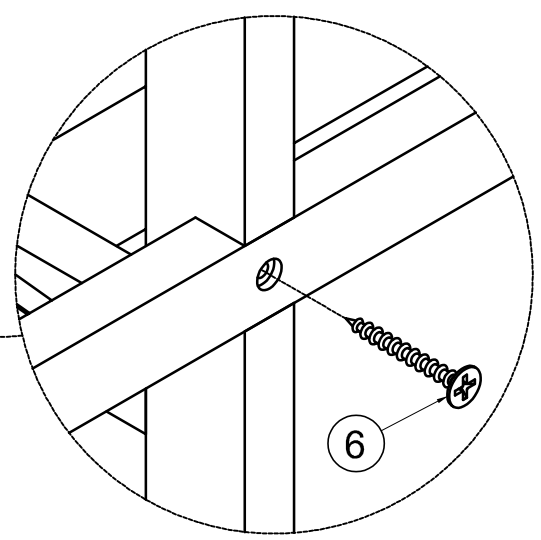


x4


STEP6: Following below illustration.

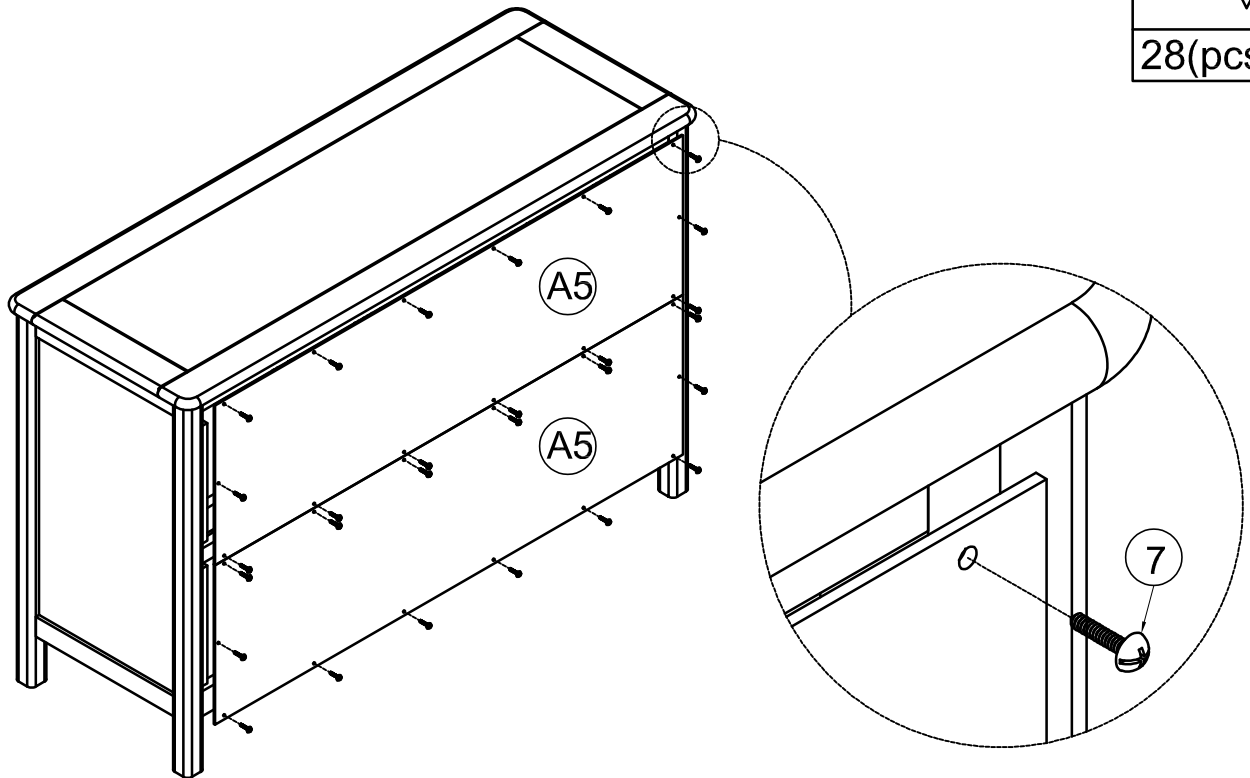


6	
1(pc)	






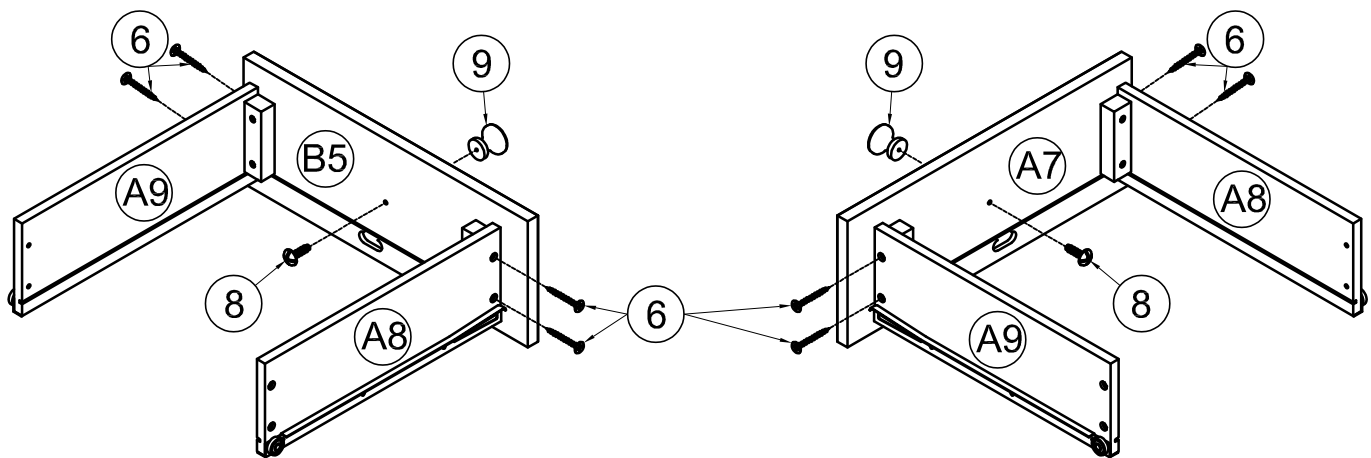
STEP7: Following below illustration.

7	
28(pcs)	




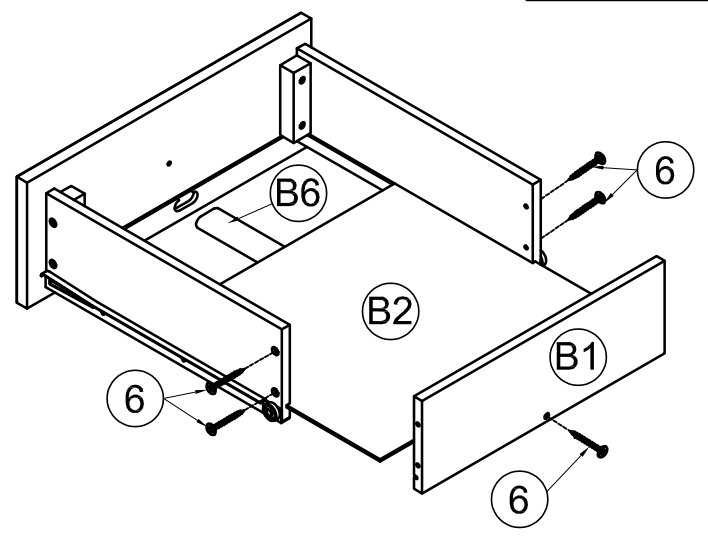
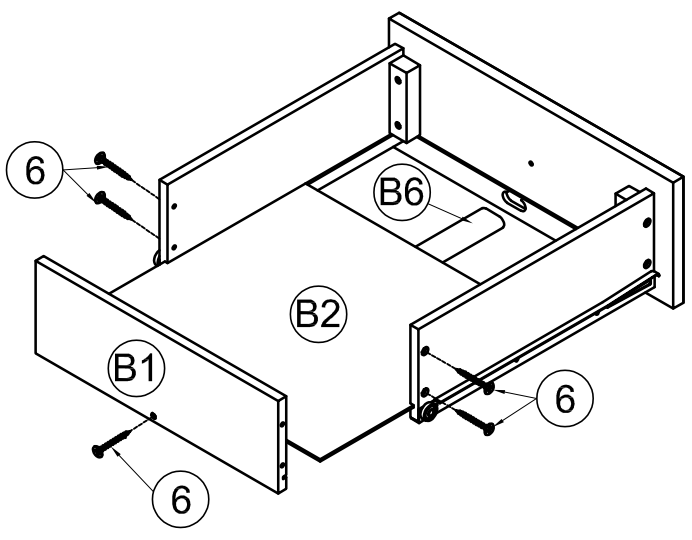
STEP8 x 3: Following below illustration.

6		8		9	
24(pcs)		6(pc)		6(pc)	

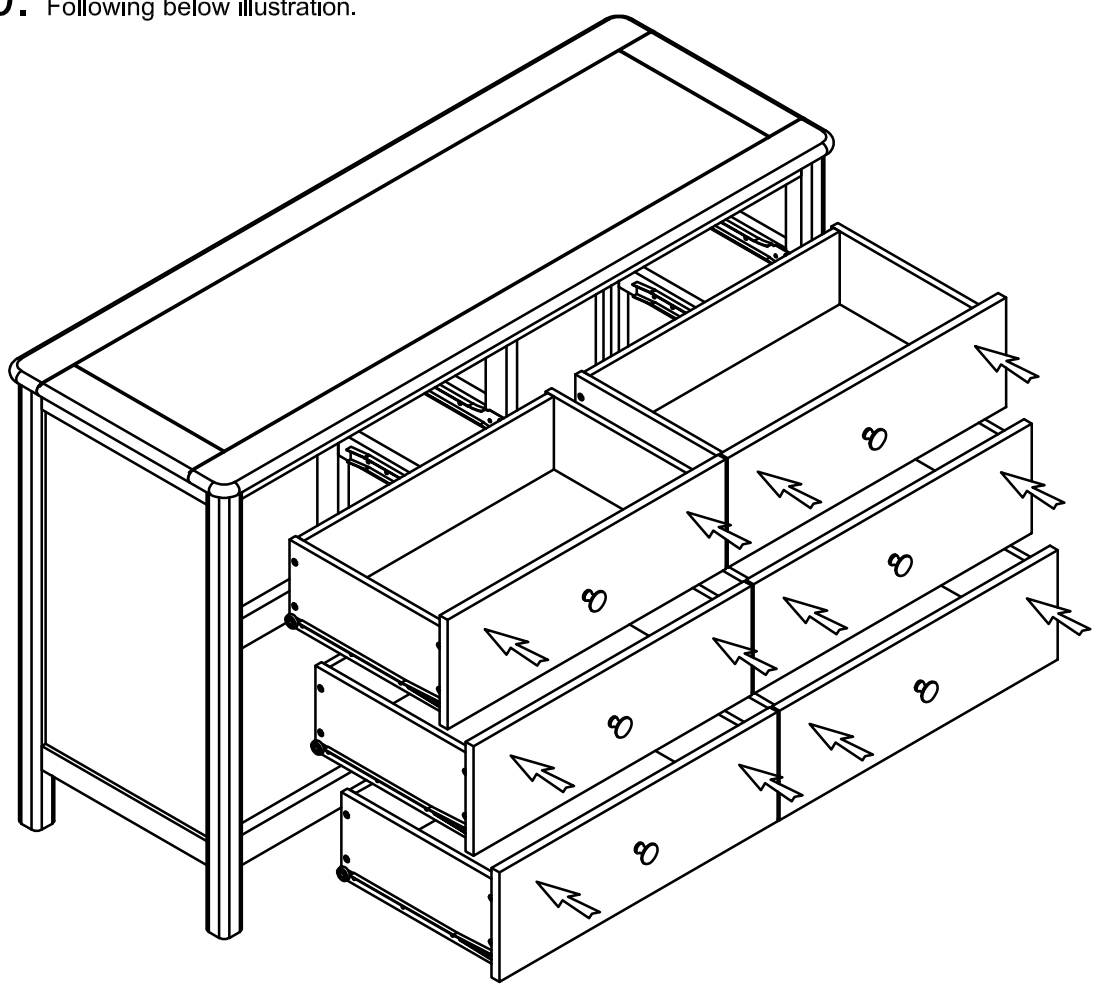


STEP9 x 3: Following below illustration.

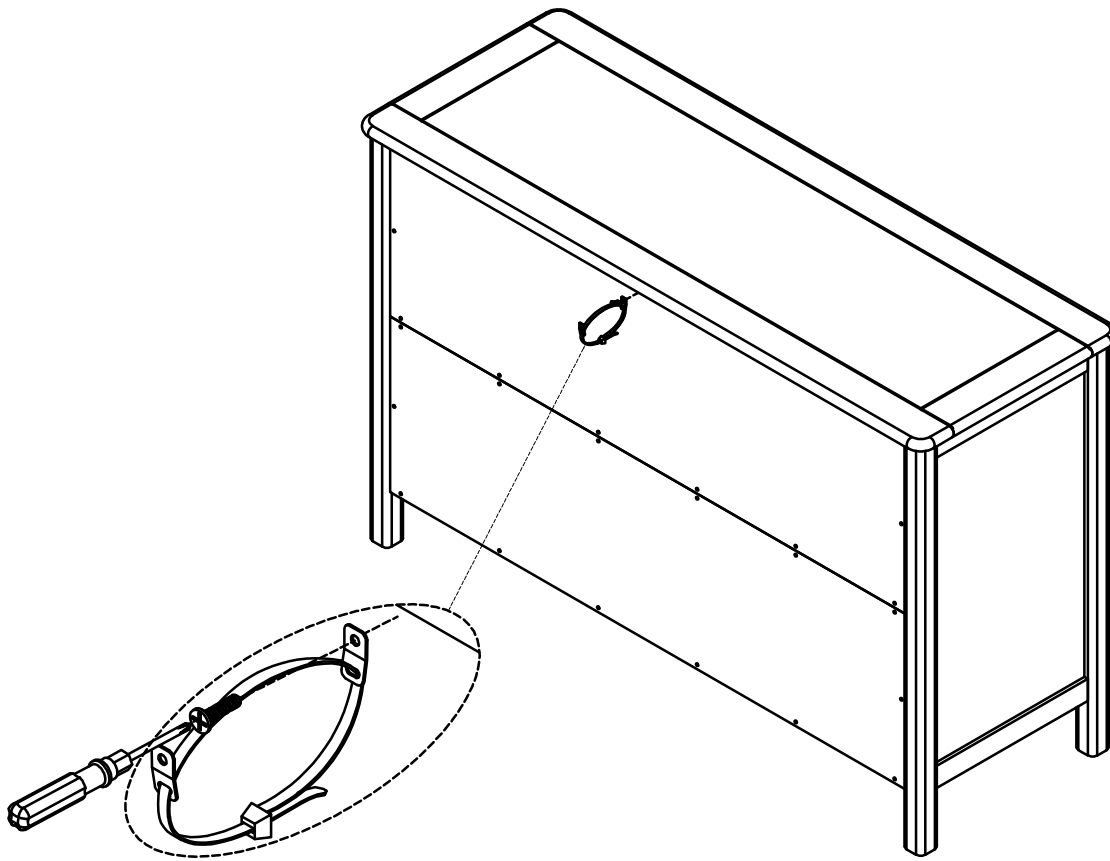
6	
30(pcs)	

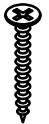




STEP10: Following below illustration.

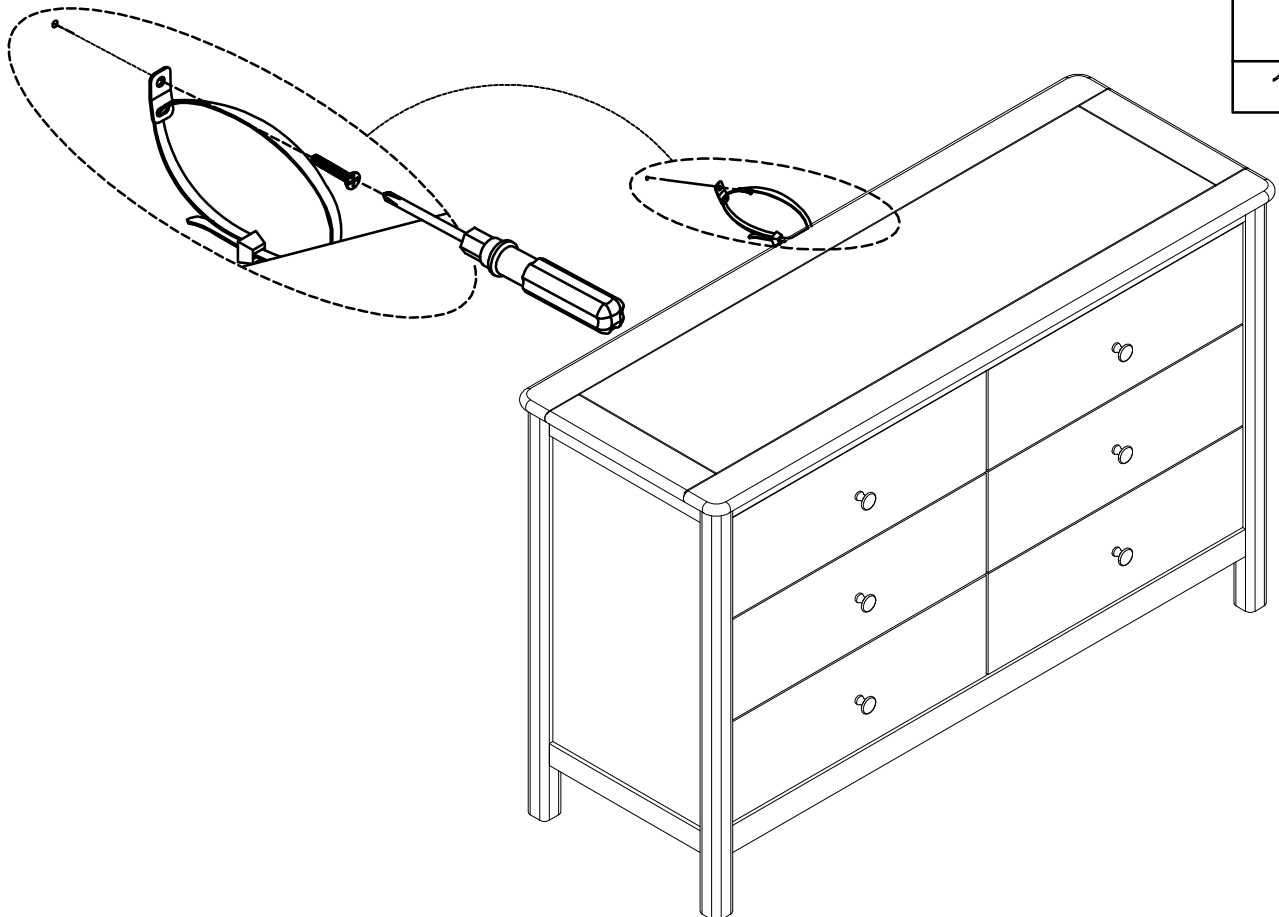


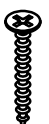
STEP11: Following below illustration.



- 15  1(pc)
- 14  1(pc)
- 13  2(pcs)

STEP12: Following below illustration.



- 15  1(pc)