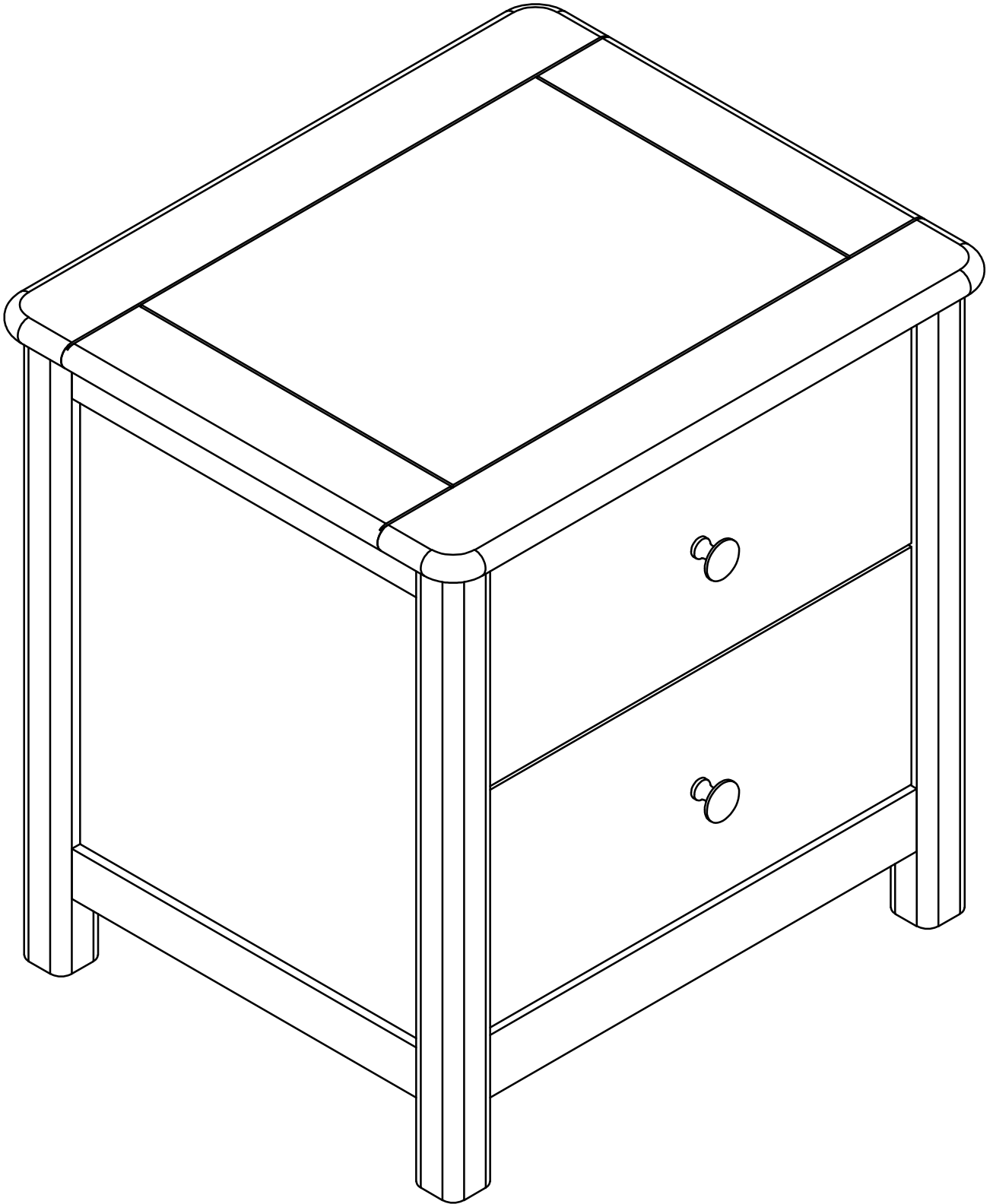
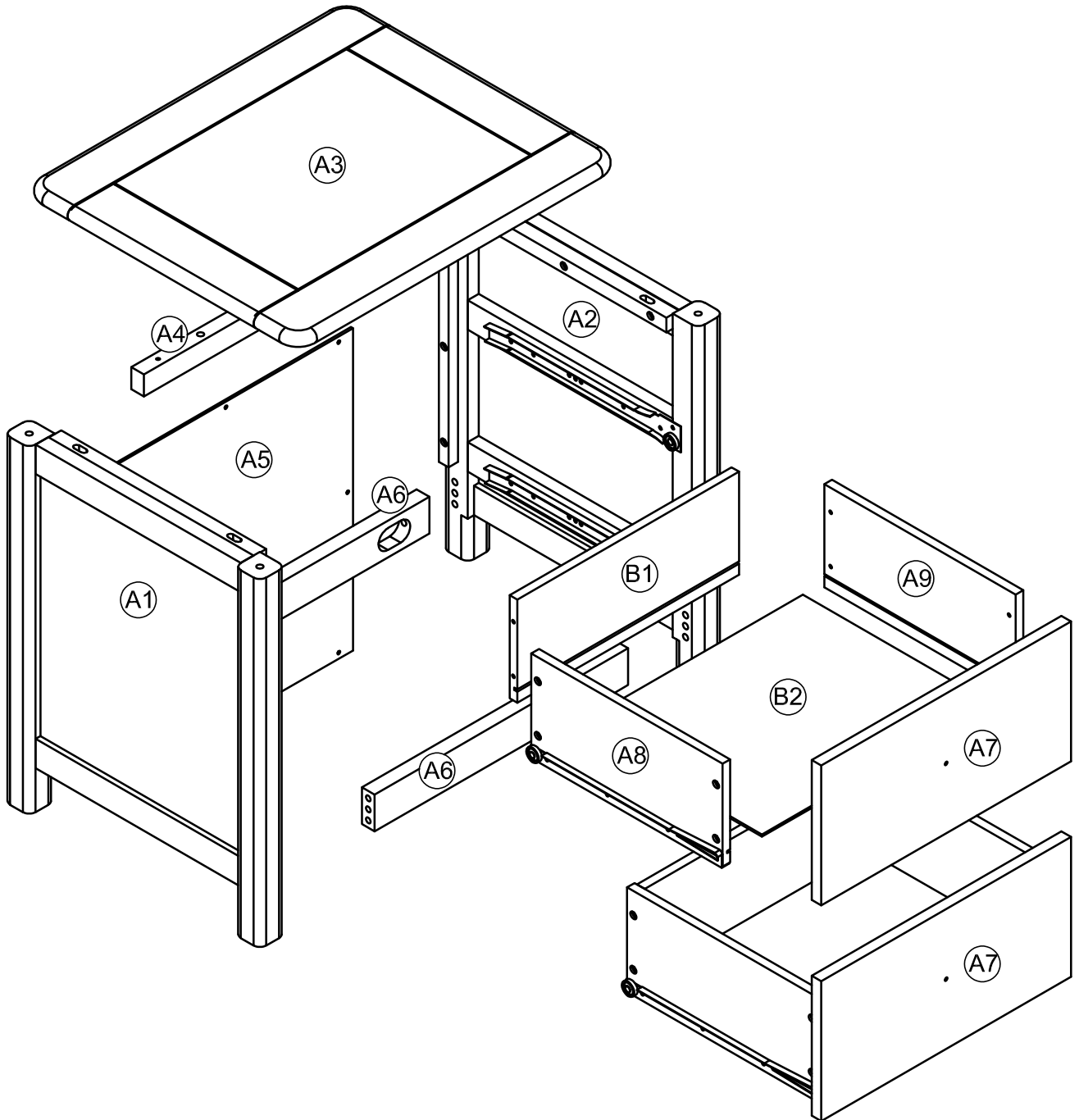


ASSEMBLY INSTRUCTION

SKU CODE: (WF297965)

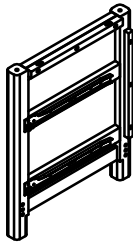


ASSEMBLY INSTRUCTION



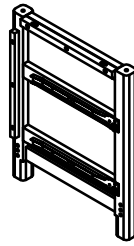
Part List & Hardware List (Box 1-WF297965)

A1



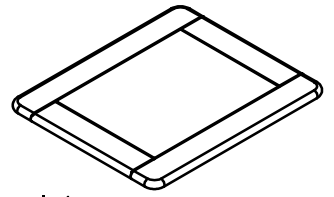
Left frame- 1pc

A2



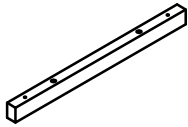
Right frame- 1pc

A3



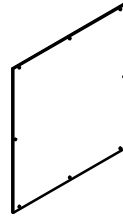
Top Panel-1pc

A4



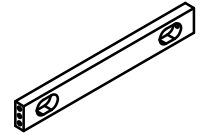
WoodBar-1pc

A5



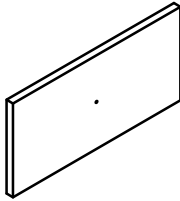
Back panel-1pc

A6



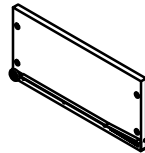
WoodBar-2pcs

A7



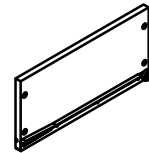
Drawer front -2pcs

A8



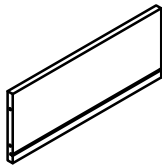
Drawer Left-2pcs

A9



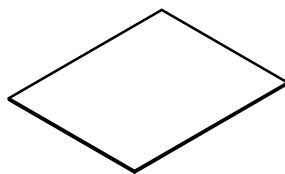
Drawer Right-2pcs

B1




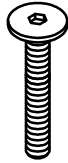
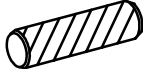





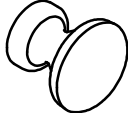


Drawer Rear-2pcs

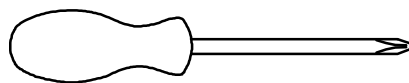
B2



Drawer Bottom Panels-2pcs


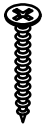
Hardware List (Box 1-WF297965)

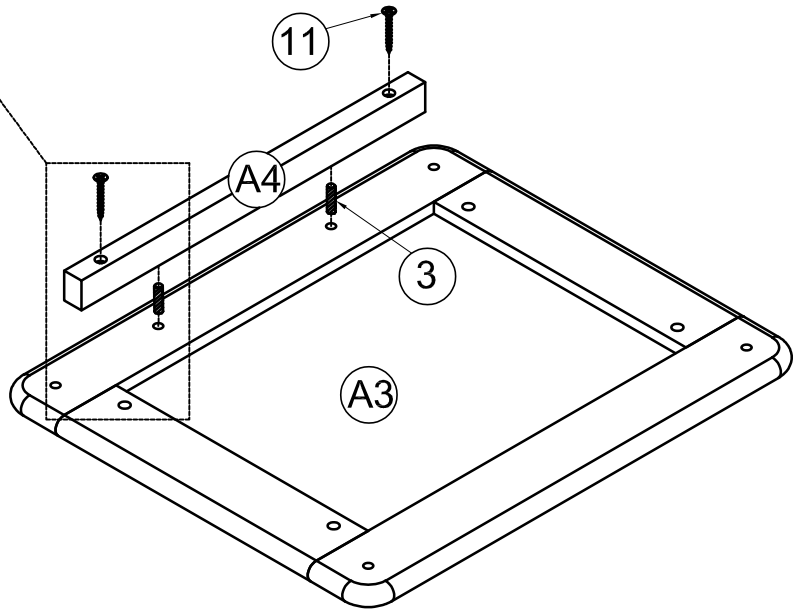
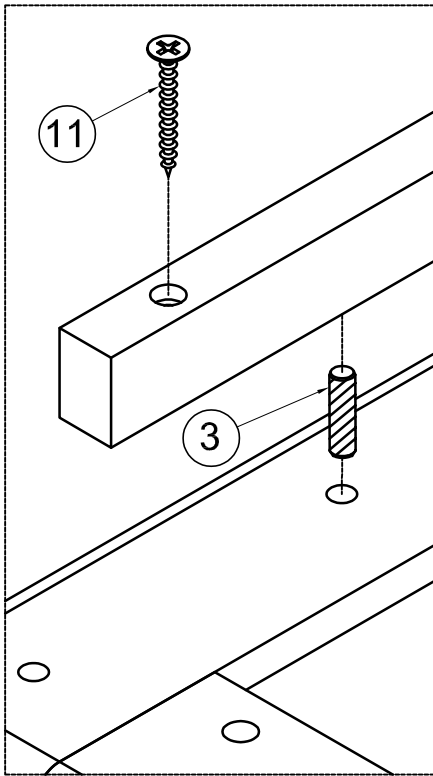
1  Ø1/4" x 35 mm Hex-Head bolts 4pcs	2  Ø1/4" x 45 mm Hex-Head bolts 4pcs	3  Ø8 x 30 mm Wood dowel 14pcs
4  Washer 4pcs	5  Washer 4pcs	6  M4 x 30 mm Wood Screws 16pcs
7  M4 x 15 mm Wood Screws 8pcs	8  M4 x 25 mm Wood Screws 2pcs	9  Handle Wood 2pcs
10  Allen Key 1pc	11  M4 x 40 mm Wood Screws 2pcs	





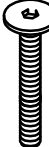
Assembly Tools Required (Not Included)

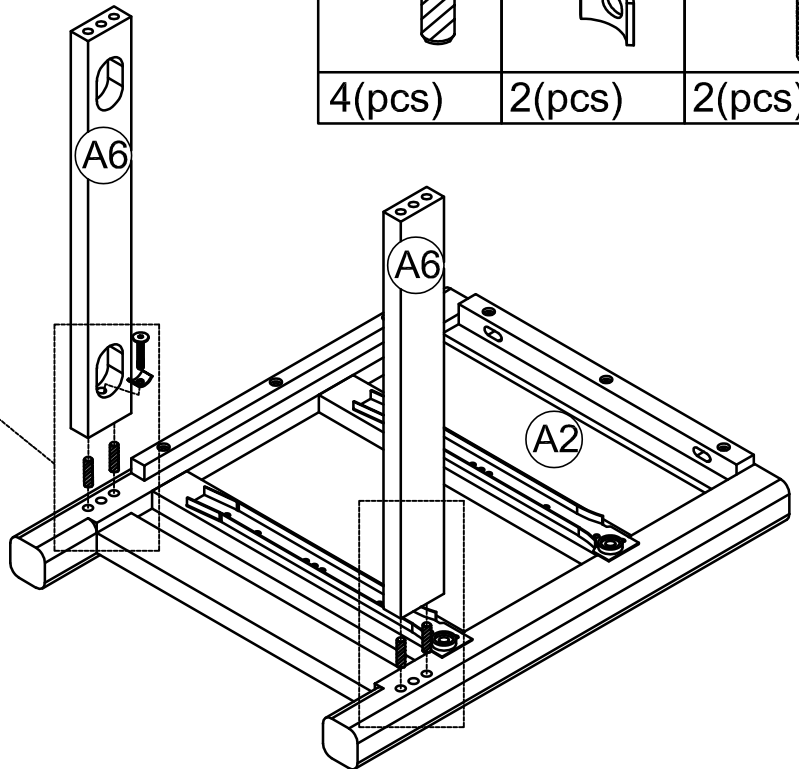
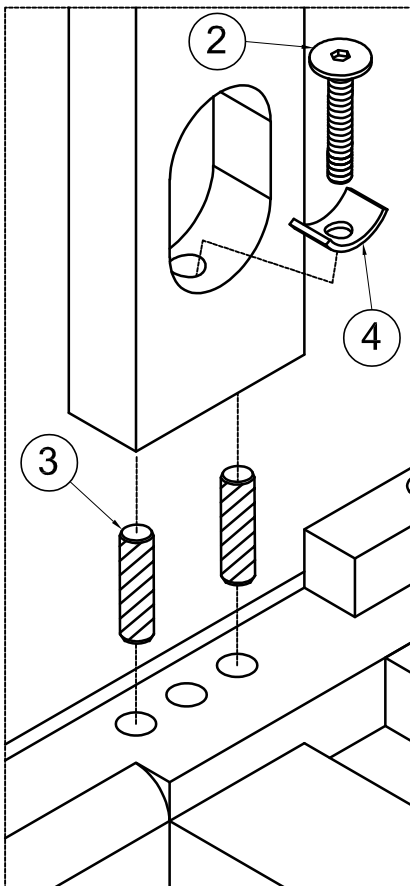
STEP1: Following below illustration.

3		11	
2(pcs)		2(pcs)	



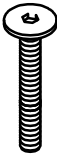


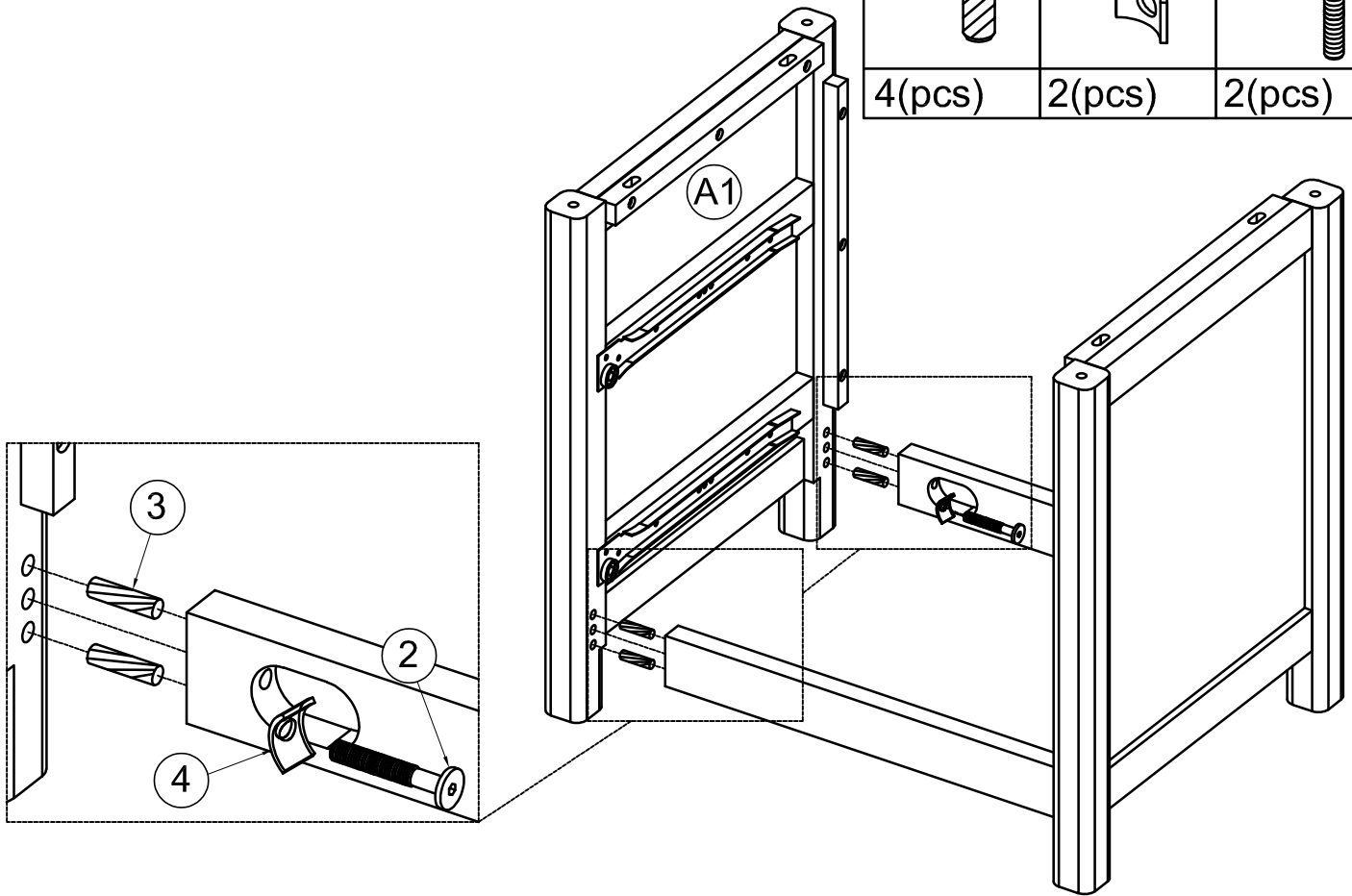
STEP2: Following below illustration.

3		4		2	
4(pcs)		2(pcs)		2(pcs)	






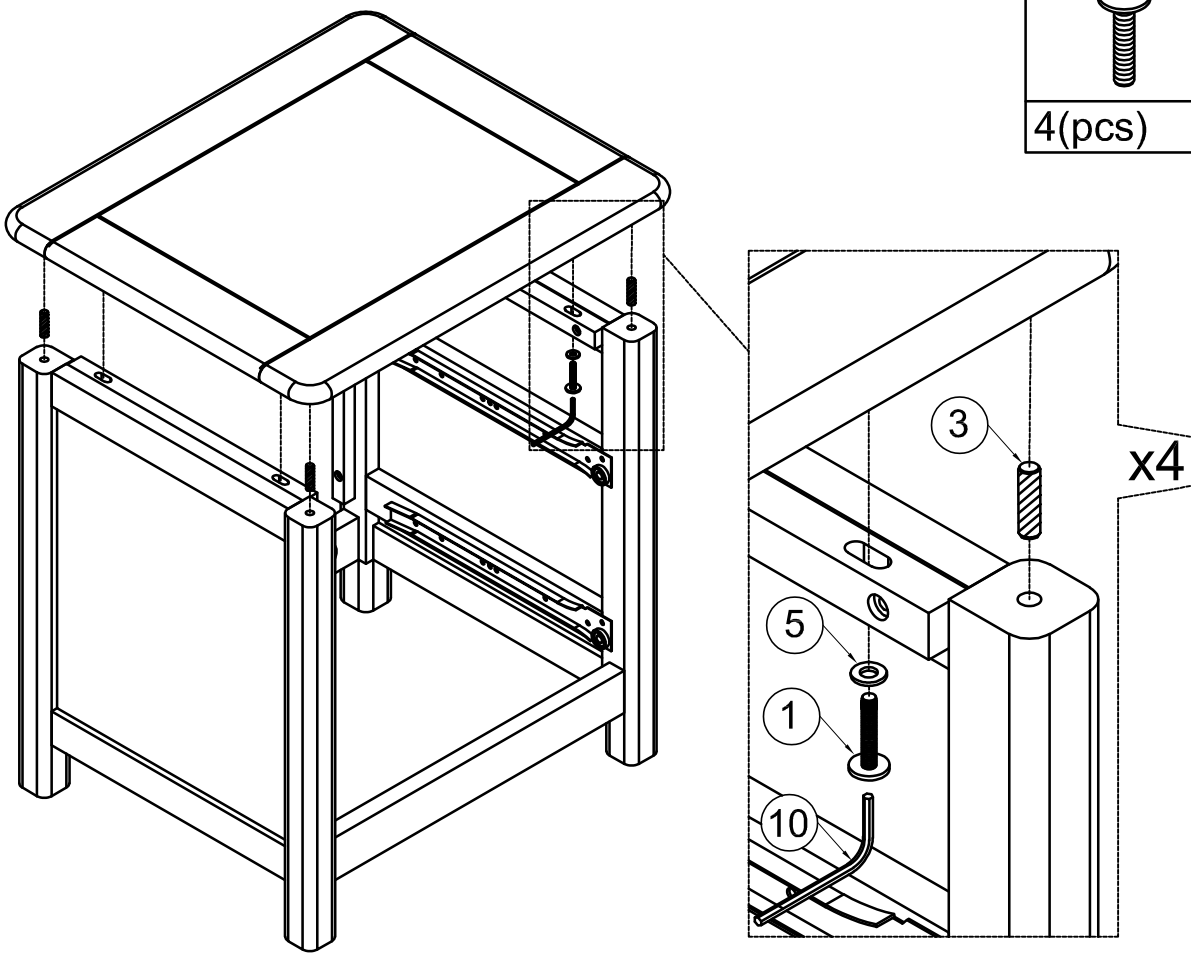
STEP3: Following below illustration.

3		4		2	
4(pcs)		2(pcs)		2(pcs)	

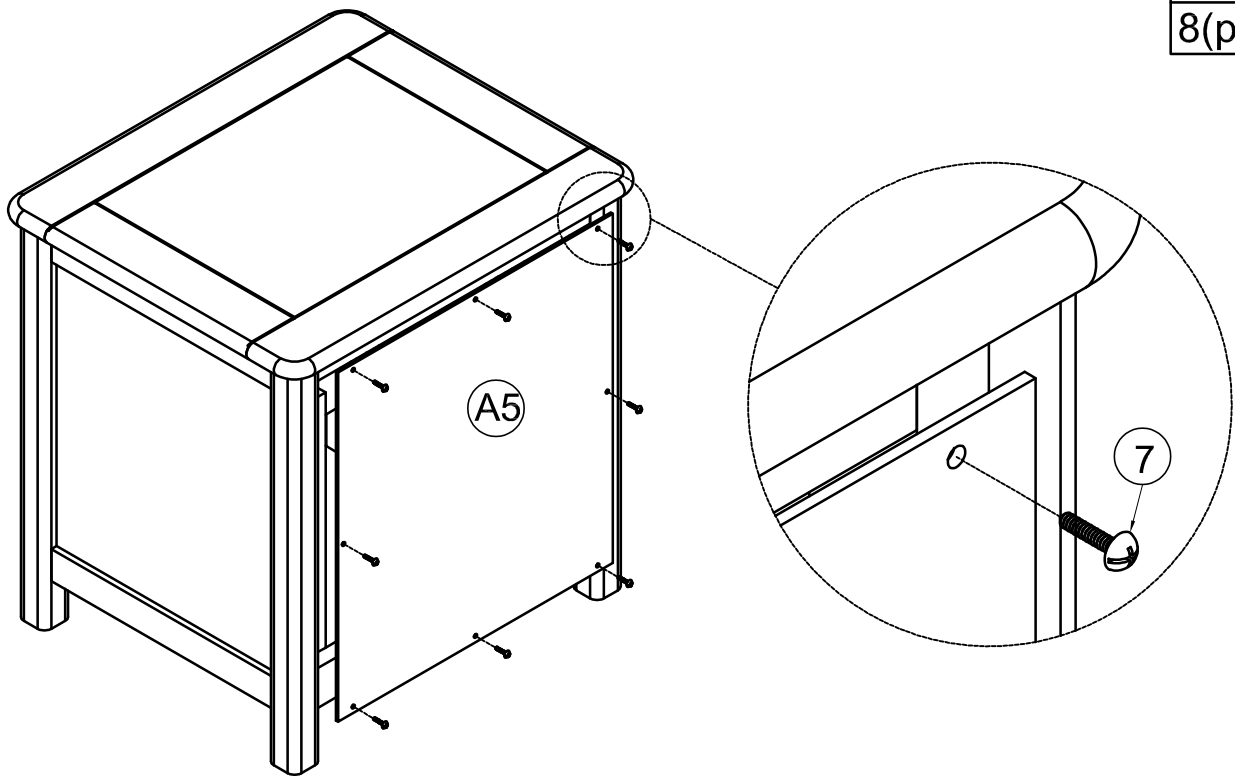
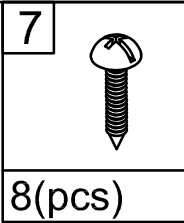


STEP4: Following below illustration.

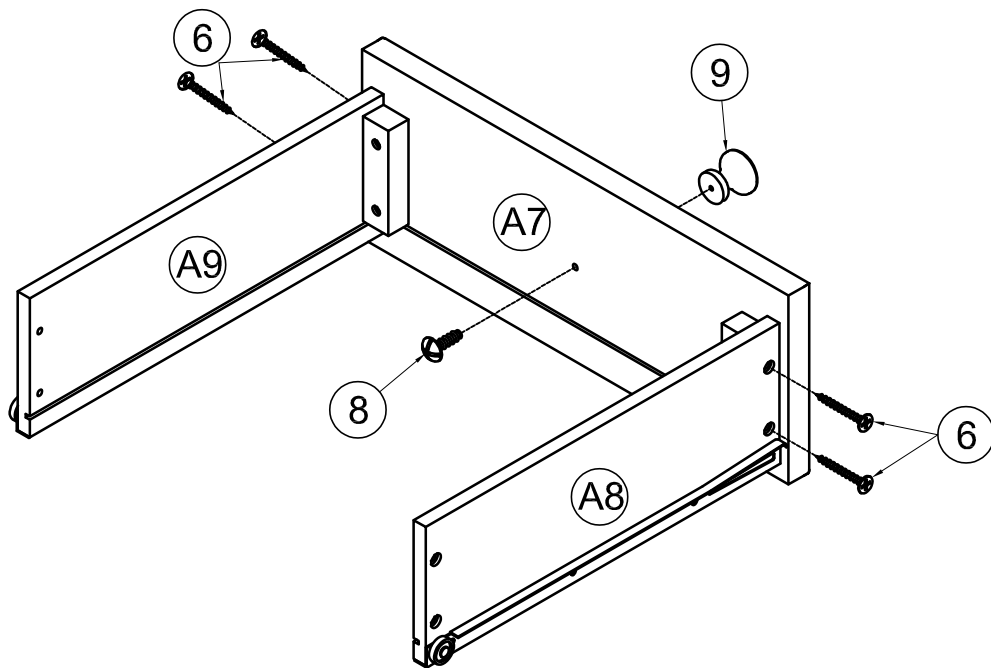
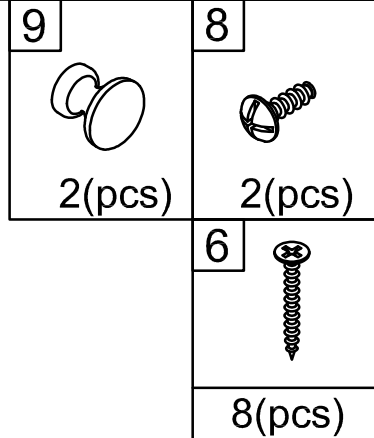
1		3	
4(pcs)		4(pcs)	
		5	
		4(pcs)	




STEP5: Following below illustration.

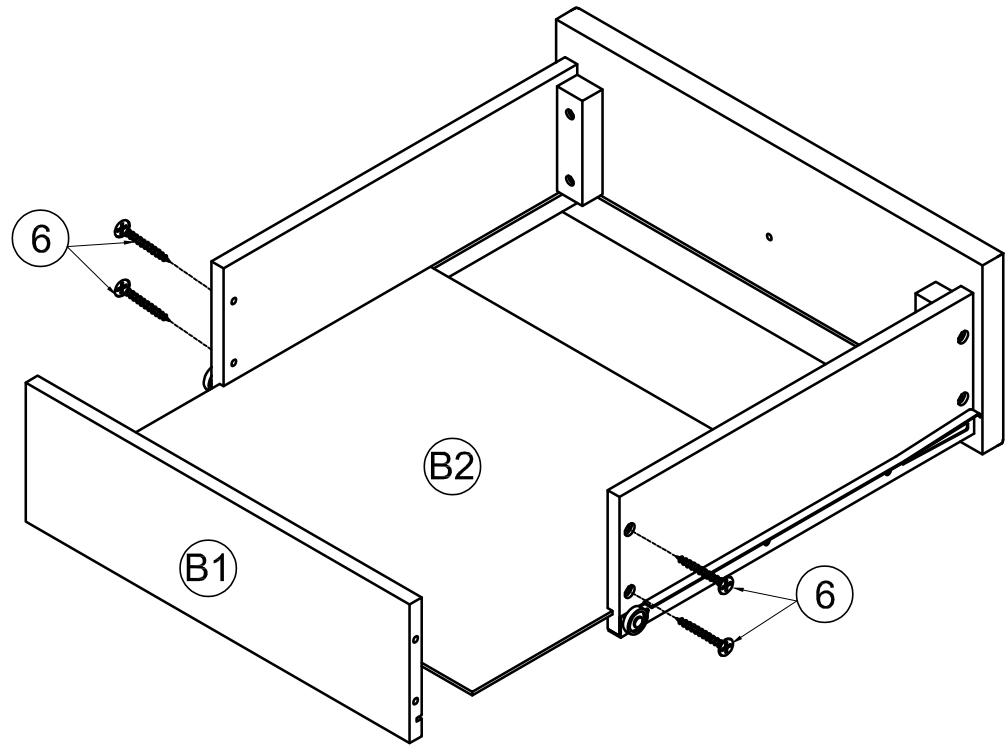


STEP6 x 2: Following below illustration.



STEP7 x 2: Following below illustration.

6	
8(pcs)	



STEP8: Following below illustration.

