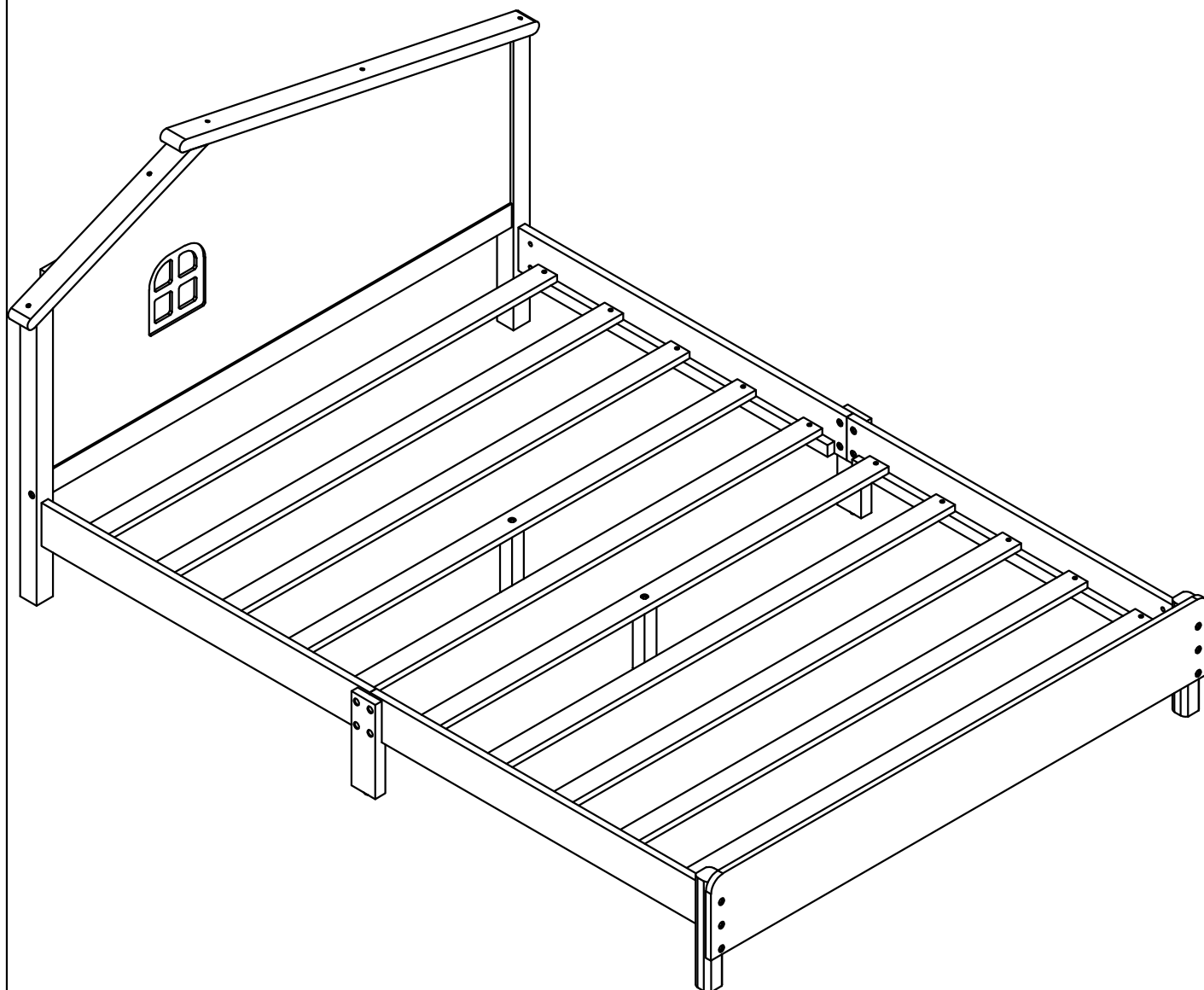
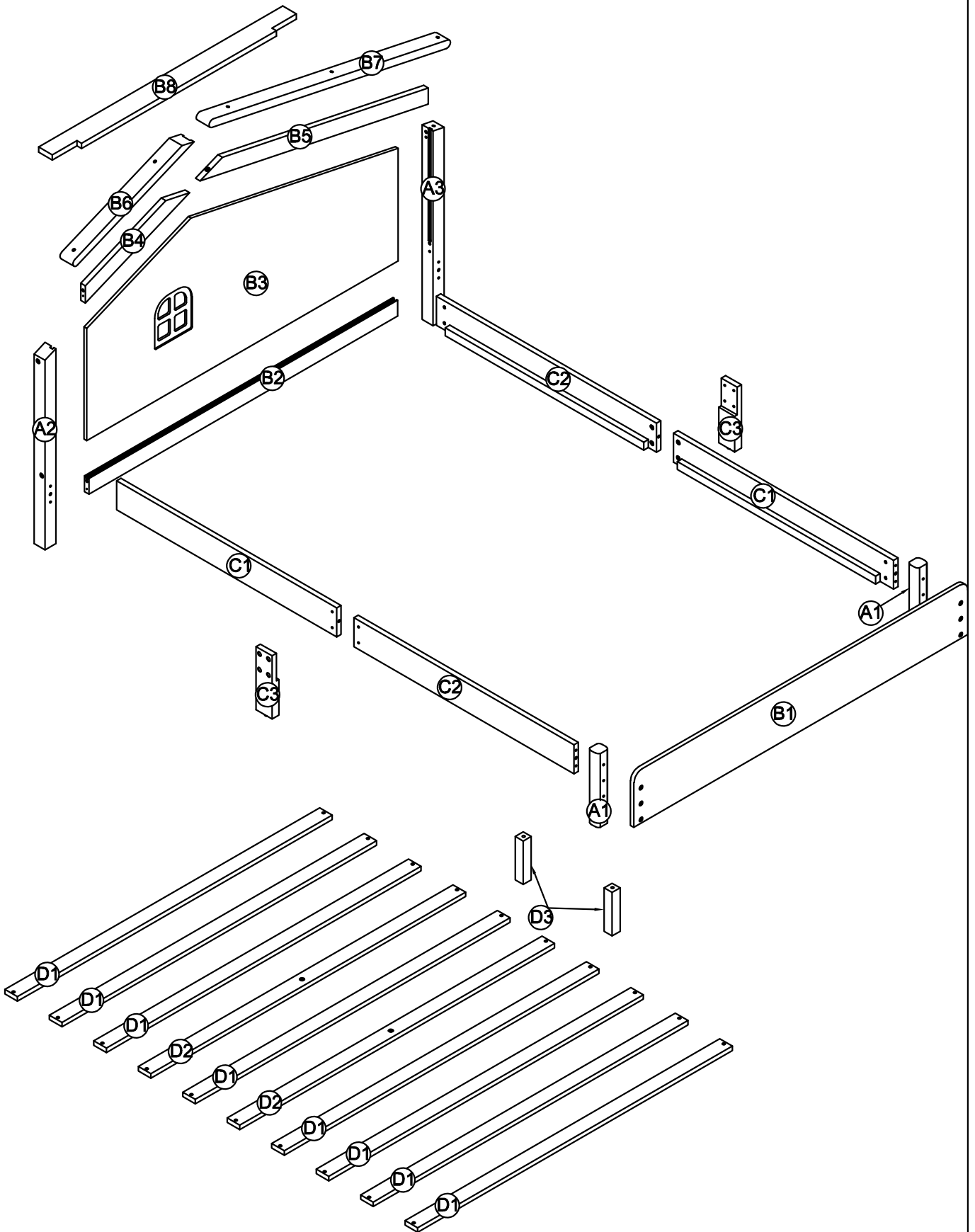


# ASSEMBLY INSTRUCTION




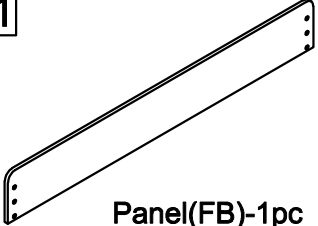
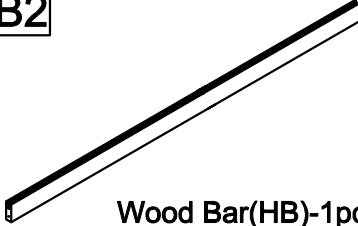
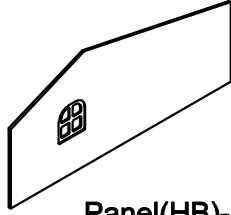
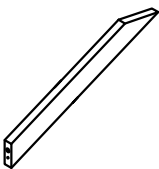
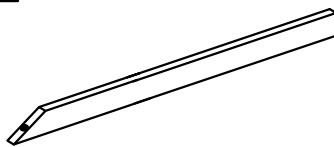
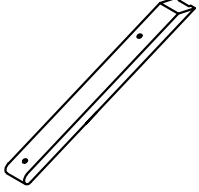
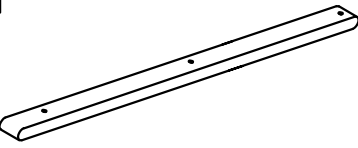
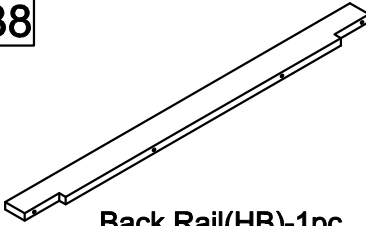
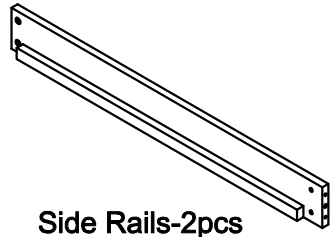
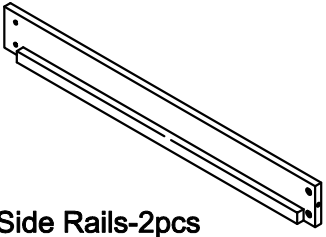

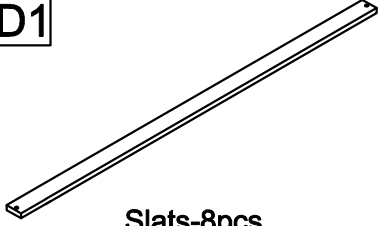
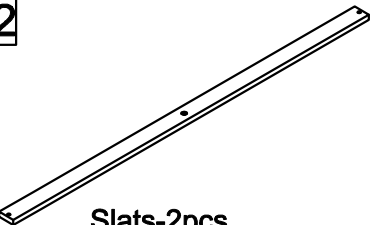

SKU CODE: (WF297963)





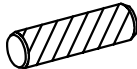







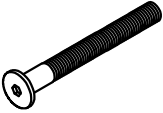

# ASSEMBLY INSTRUCTION



# Part List (WF297963)

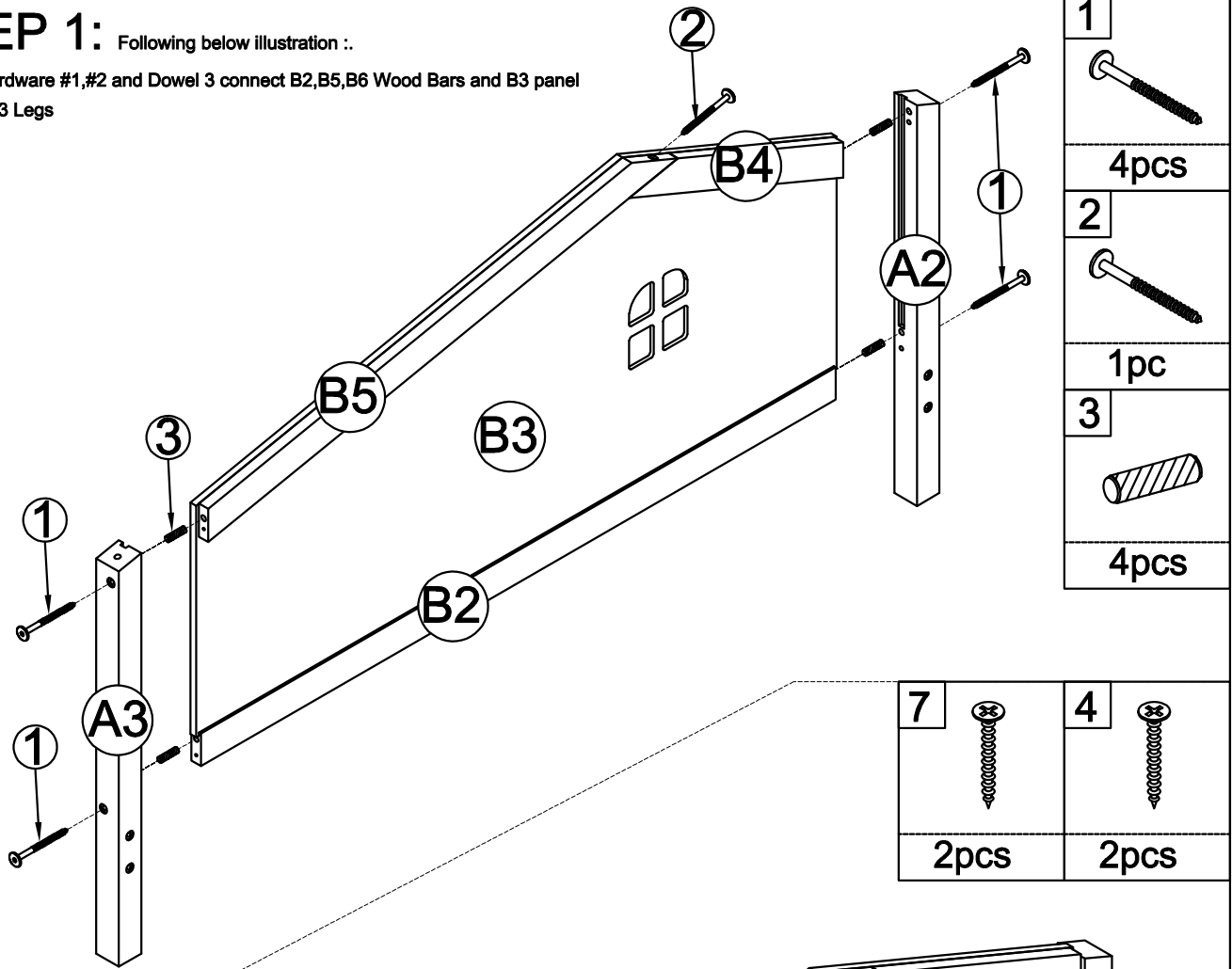
<p><b>A1</b></p>  <p>Legs-2pcs</p>	<p><b>A2</b></p>  <p>Leg-1pc</p>	<p><b>A3</b></p>  <p>Leg-1pc</p>
<p><b>B1</b></p>  <p>Panel(FB)-1pc</p>	<p><b>B2</b></p>  <p>Wood Bar(HB)-1pc</p>	<p><b>B3</b></p>  <p>Panel(HB)-1pc</p>
<p><b>B4</b></p>  <p>Wood Bar(HB)-1pc</p>	<p><b>B5</b></p>  <p>Wood Bar(HB)-1pc</p>	<p><b>B6</b></p>  <p>Top Rail(HB)-1pc</p>
<p><b>B7</b></p>  <p>Top Rail(HB)-1pc</p>	<p><b>B8</b></p>  <p>Back Rail(HB)-1pc</p>	<p><b>C1</b></p>  <p>Side Rails-2pcs</p>
<p><b>C2</b></p>  <p>Side Rails-2pcs</p>	<p><b>C3</b></p>  <p>Support Side Rails-2pcs</p>	<p><b>D1</b></p>  <p>Slats-8pcs</p>
<p><b>D2</b></p>  <p>Slats-2pcs</p>	<p><b>D3</b></p>  <p>Support Slats-2pcs</p>	

# Hardware List

<p>1</p>  <p>Screws 1/4" x80 4pcs</p>	<p>2</p>  <p>Screws 1/4" x50 1pc</p>	<p>3</p>  <p>Ø10 x 40 mm Wood dowel 11pcs</p>
<p>4</p>  <p>M4 x 50 mm Wood Screws 2pcs</p>	<p>5</p>  <p>M4 x 30 mm Wood Screws 20pcs</p>	<p>6</p>  <p>Allen Key 1pc</p>
<p>7</p>  <p>M4 x 40 mm Wood Screws 7pcs</p>	<p>8</p>  <p>Ø1/4" x 25 mm Hex-Head bolts 8pcs</p>	<p>9</p>  <p>Ø1/4" x 15 mm Canopy head though -8pcs</p>
<p>10</p>  <p>Ø1/4" x 30 mm Hex-Head bolts 4pcs</p>	<p>11</p>  <p>Ø1/4" x 100 mm Hex-Head bolts 8pcs</p>	<p>12</p>  <p>Ø1/4" x 13 mm Horizontal-Hole bolts 8pcs</p>

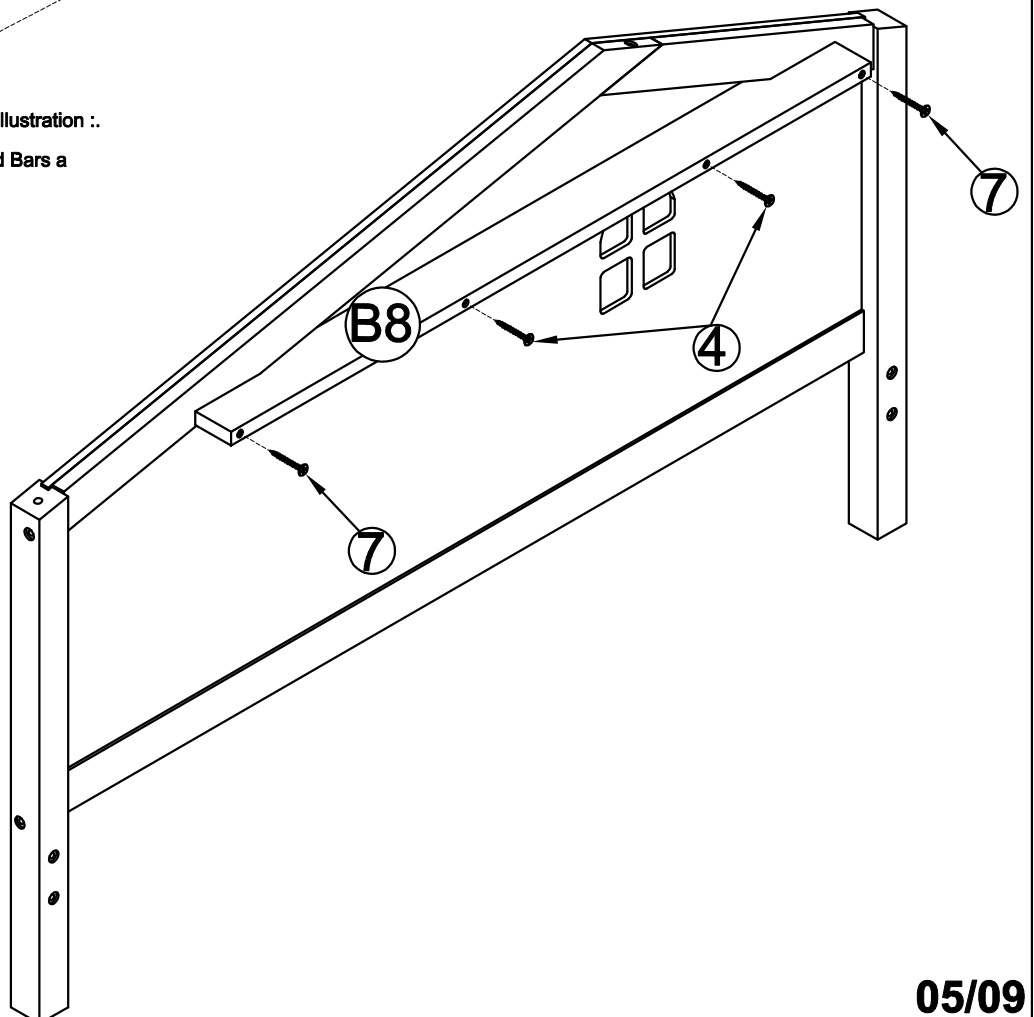
# STEP 1: Following below illustration .:

-Using hardware #1,#2 and Dowel 3 connect B2,B5,B6 Wood Bars and B3 panel with A2,A3 Legs



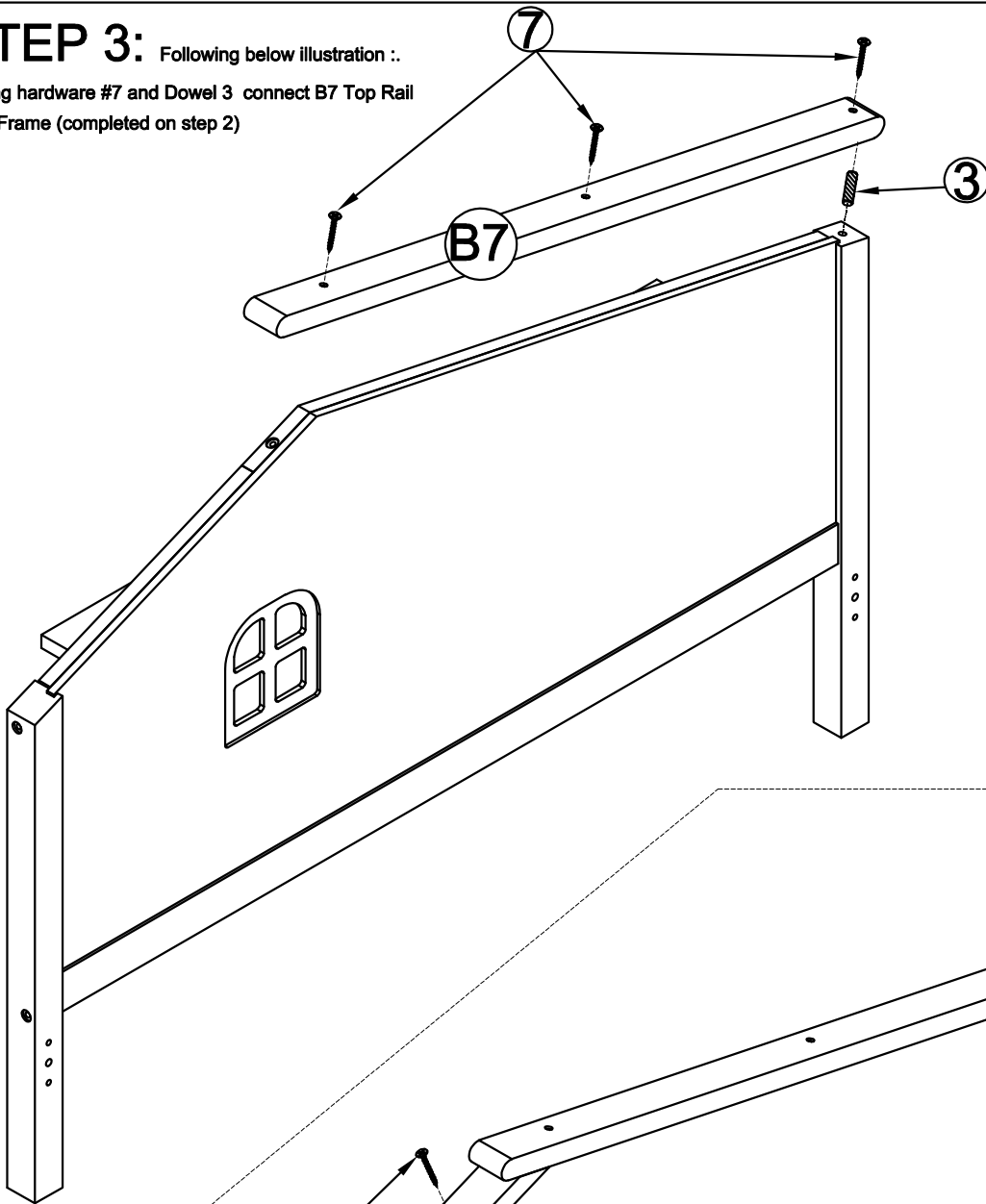
# STEP 2: Following below illustration .:

-Using hardware #4,#7 connect B8 Wood Bars a with Frame (completed on step 1)

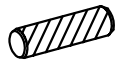


### STEP 3: Following below illustration .:

-Using hardware #7 and Dowel 3 connect B7 Top Rail with Frame (completed on step 2)



3



1pc

7

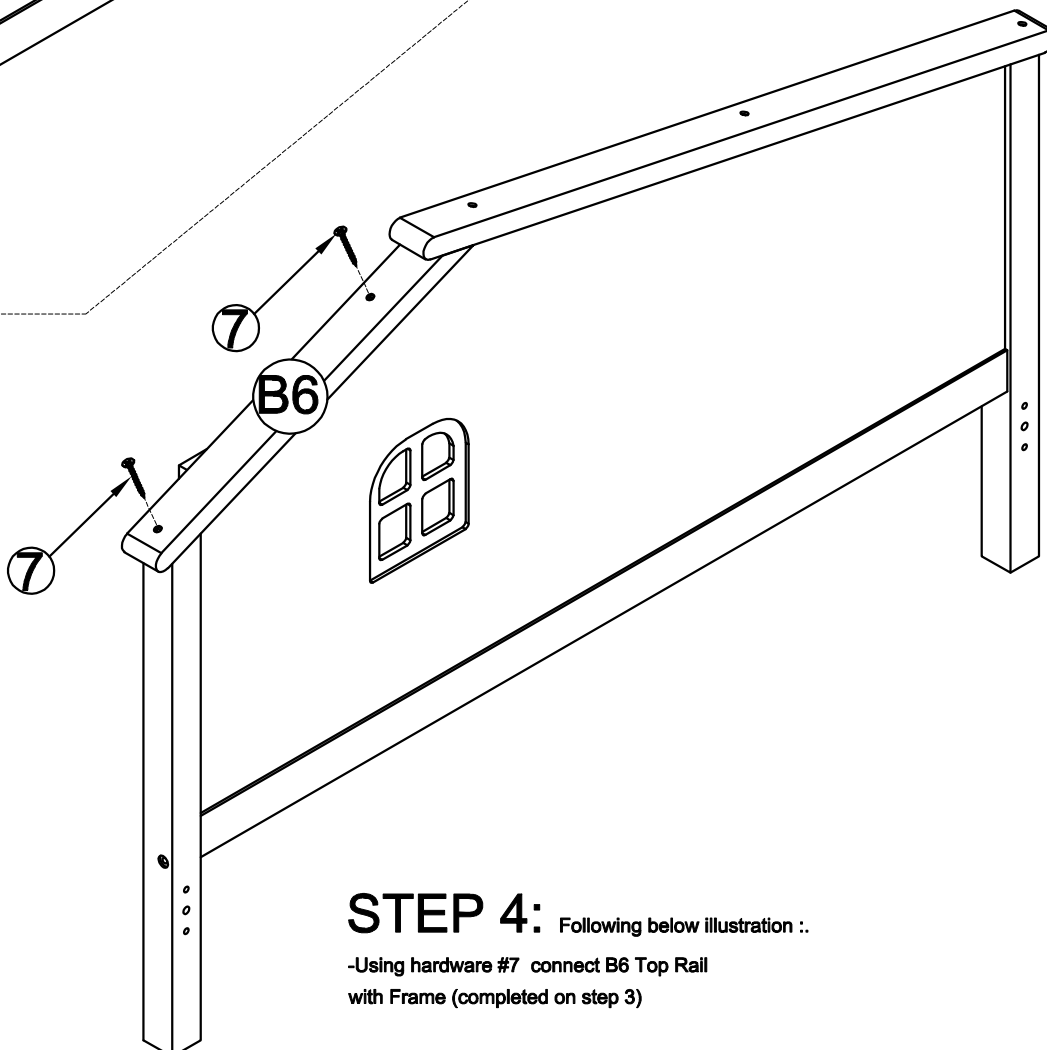


3pcs

7



2pcs

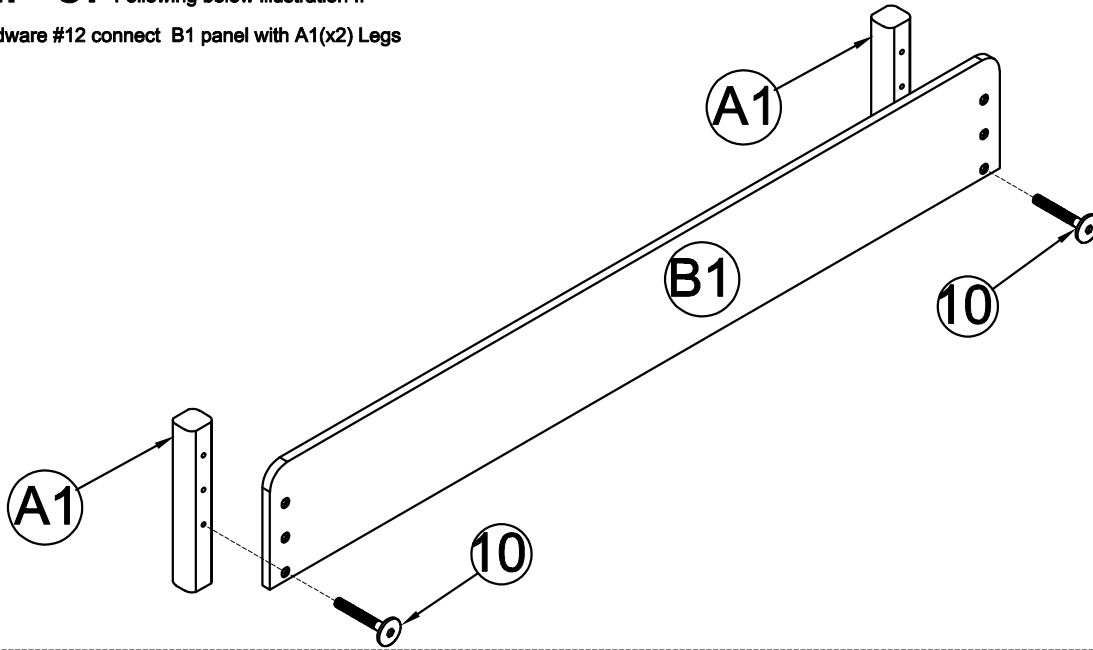


### STEP 4: Following below illustration .:

-Using hardware #7 connect B6 Top Rail with Frame (completed on step 3)

# STEP 5: Following below illustration :

-Using hardware #12 connect B1 panel with A1(x2) Legs



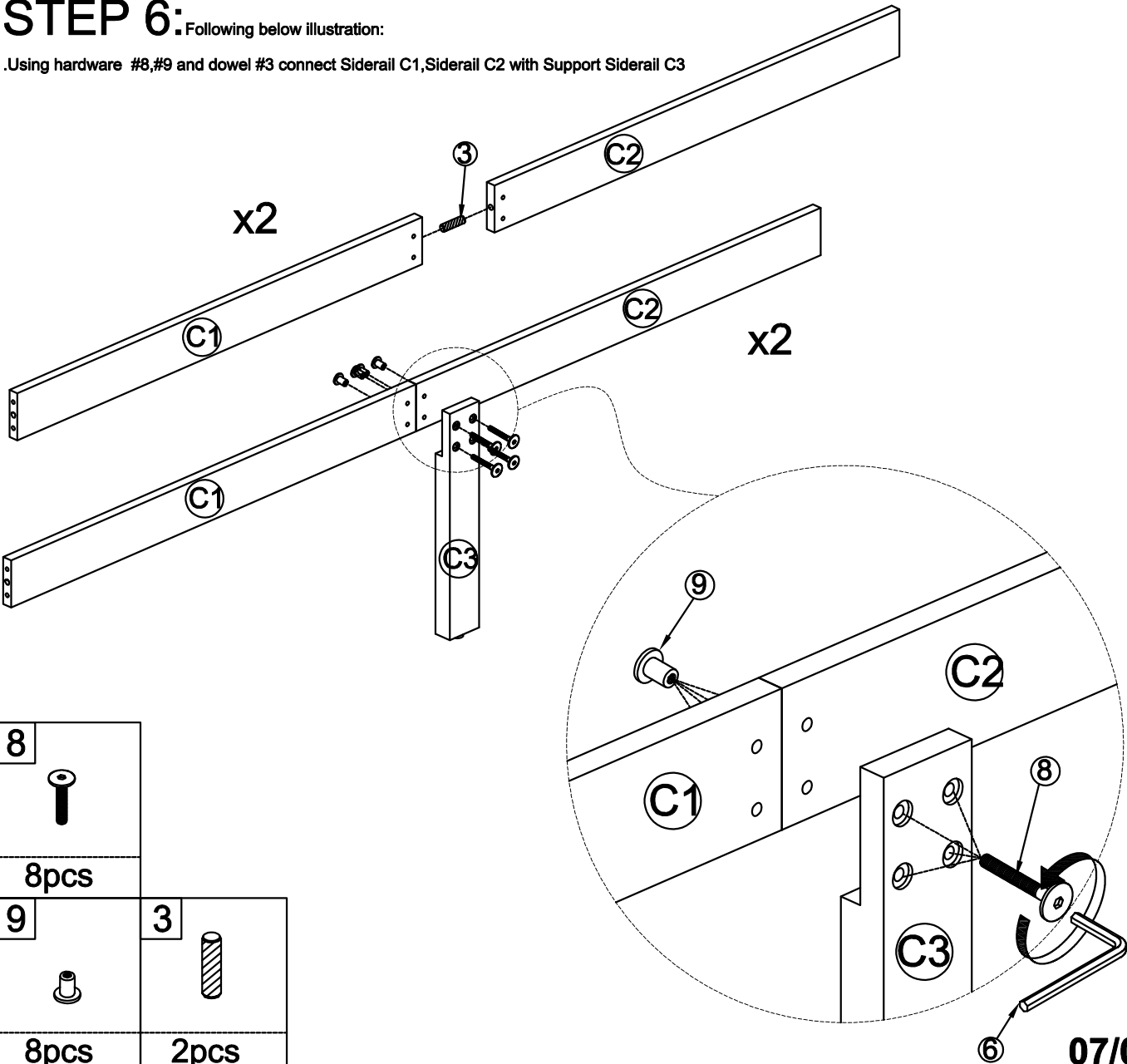
10



2pcs

# STEP 6: Following below illustration:

.Using hardware #8,#9 and dowel #3 connect Siderail C1,Siderail C2 with Support Siderail C3



8



8pcs

9



8pcs

3



2pcs

6


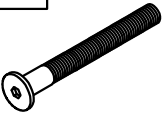

07/09

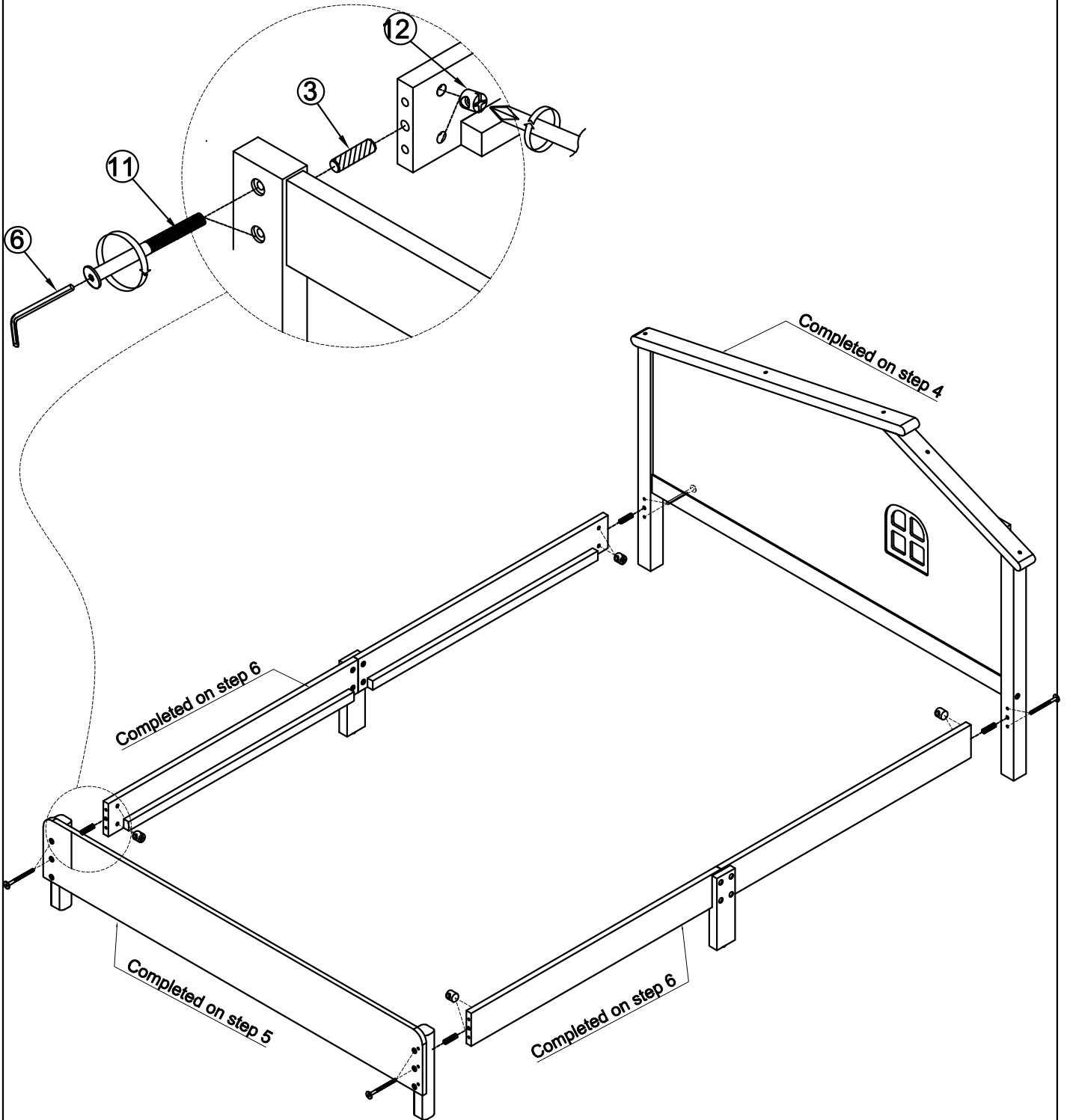
# STEP 7:

Following below illustration:

Using hardware #11, #12 and dowel #3 to Assembly Frame (completed on step 4, step 5) with siderail Frame (completed on step 6).

Look at detail view for more detail

12	11	3
		
8pcs	8pcs	4pcs

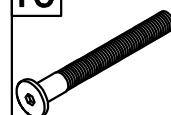




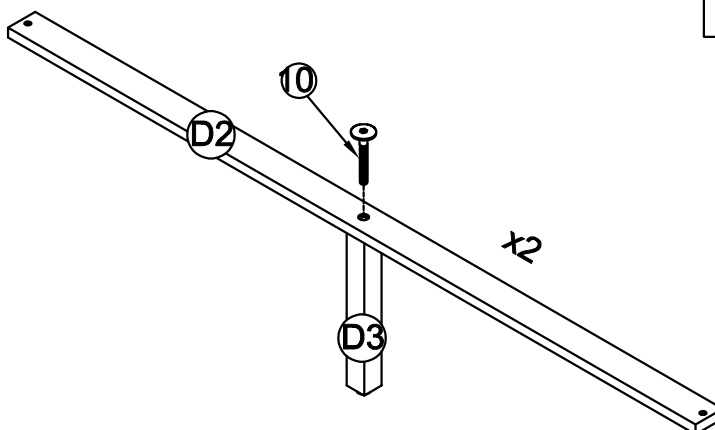
# STEP 8:

Following below illustration:  
-Assembly 2 slats D2 with 2 Support Slats(D3) by using hardward #10.  
Look at detail view

10



2pcs



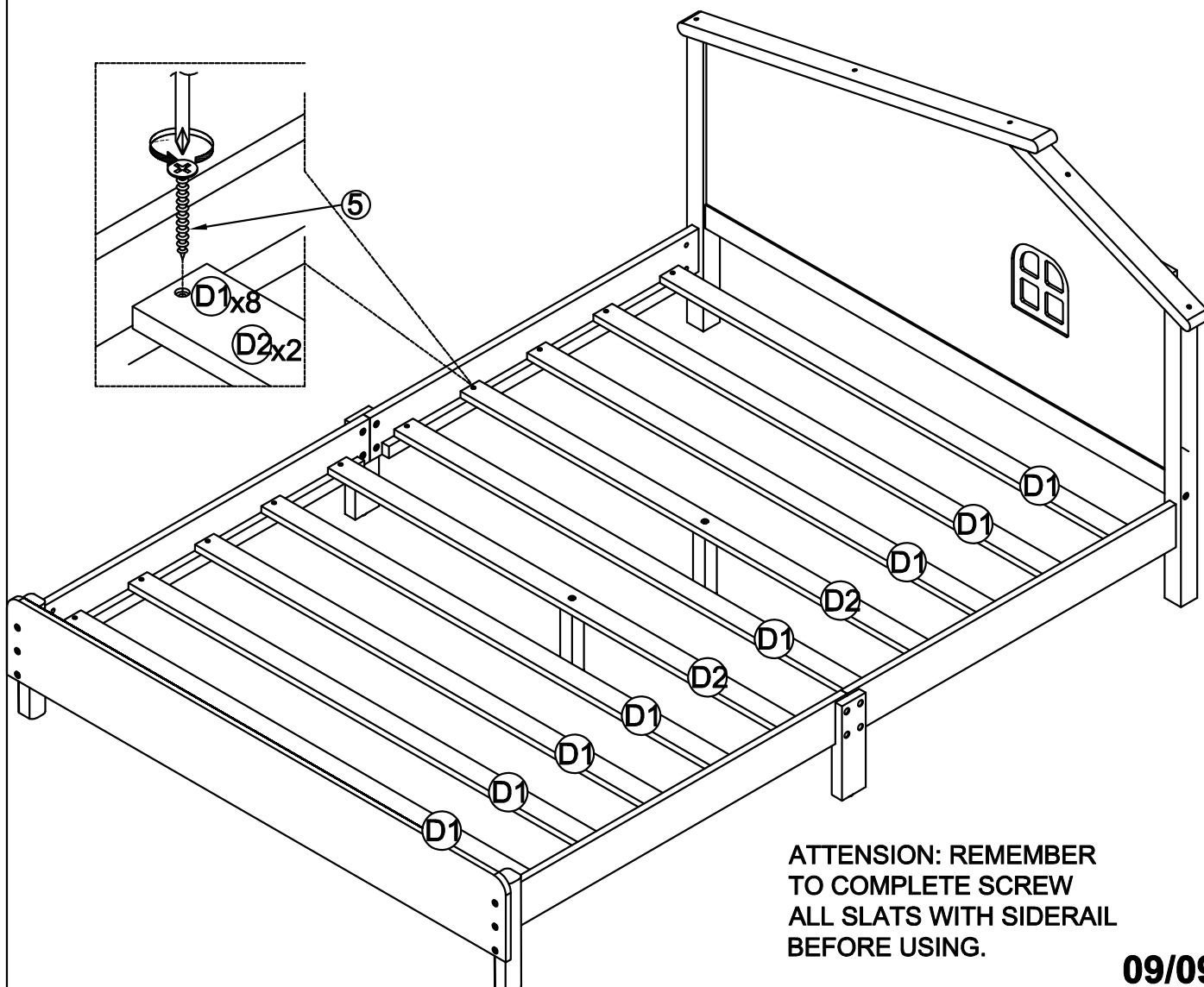
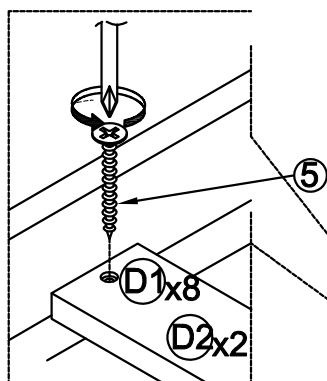
# STEP 9:

Following below illustration:  
-Assembly 8 slat D1 & 2 slat D2 using hardward #5.  
- Look at detail view

5



20pcs



ATTENTION: REMEMBER  
TO COMPLETE SCREW  
ALL SLATS WITH SIDERAIL  
BEFORE USING.

09/09