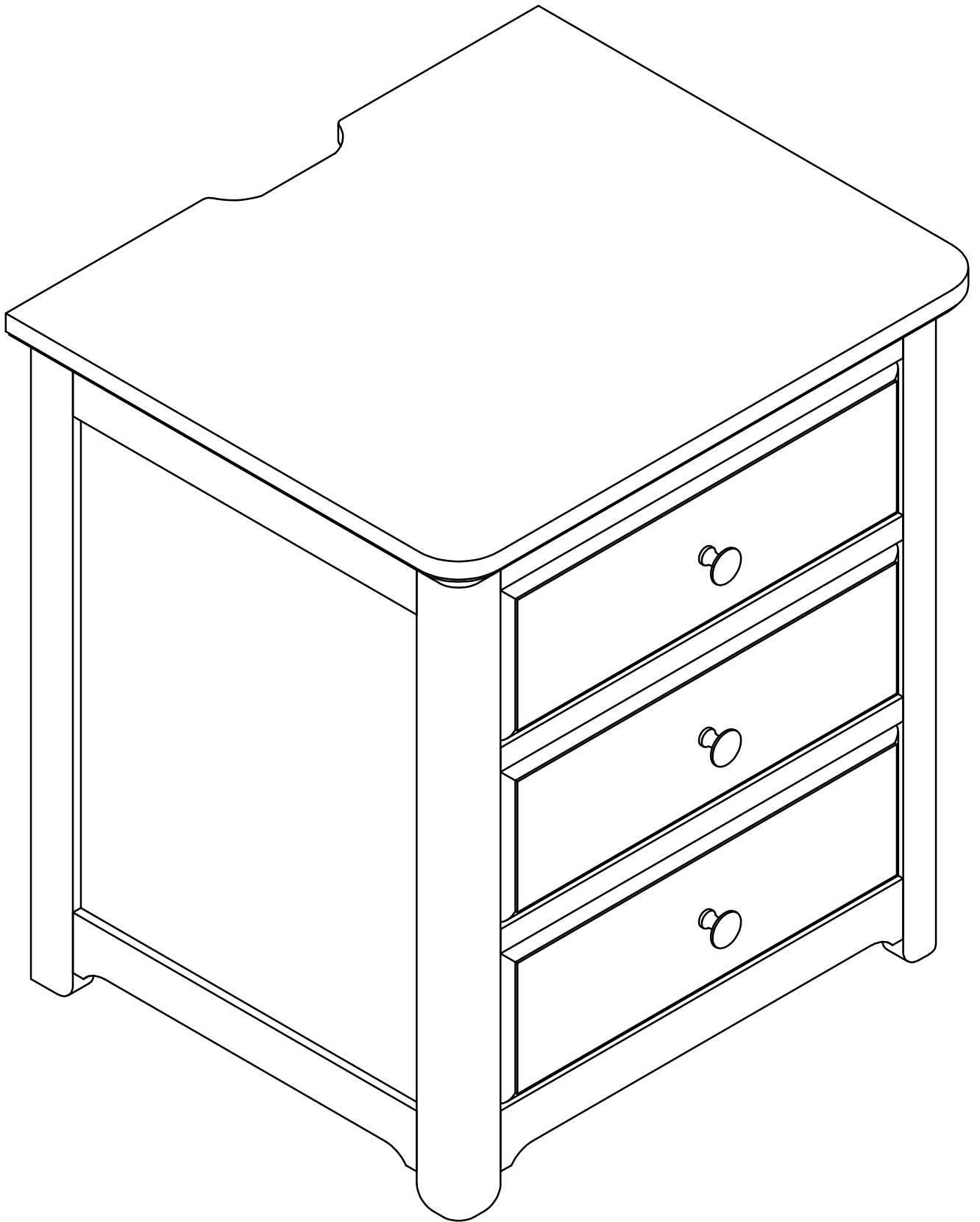
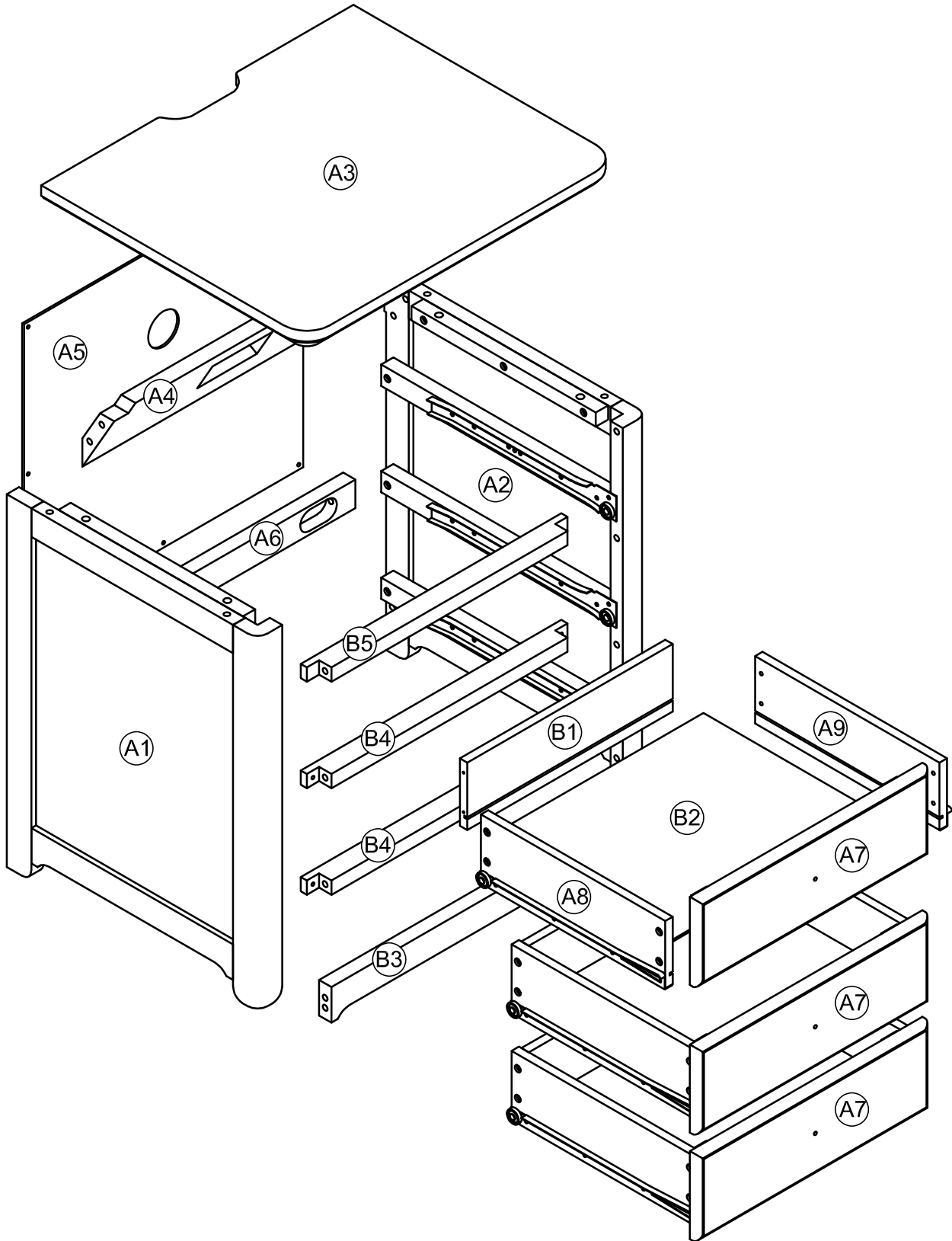


ASSEMBLY INSTRUCTION

SKU CODE: (WF297096)

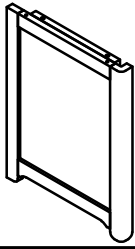


ASSEMBLY INSTRUCTION



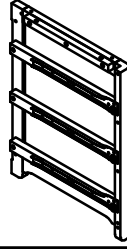
Part List & Hardware List (Box 1-WF297096)

A1



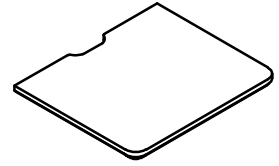
Left frame- 1pc

A2



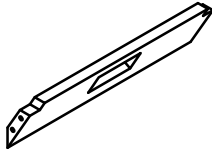
Right frame- 1pc

A3



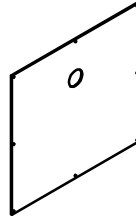
Top Panel-1pc

A4



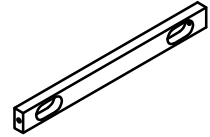
WoodBar-1pc

A5



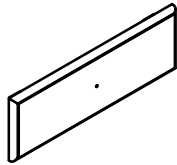
Back panel-1pc

A6



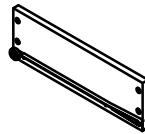
WoodBar-1pc

A7



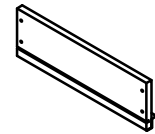
Drawer front -3pcs

A8



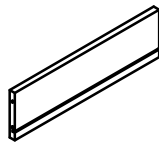
Drawer Left-3pcs

A9



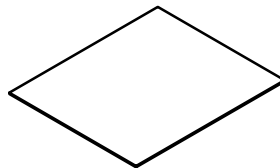
Drawer Right-3pcs

B1



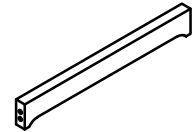
Drawer Rear-3pcs

B2



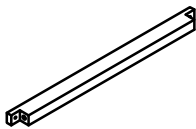
Drawer Bottom Panels-3pcs

B3



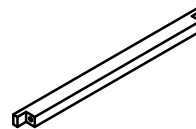
WoodBar-1pc

B4




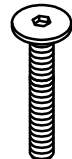
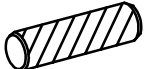
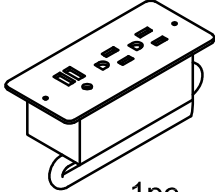




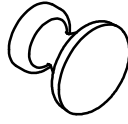




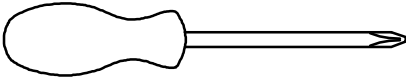
WoodBar-2pcs

B5

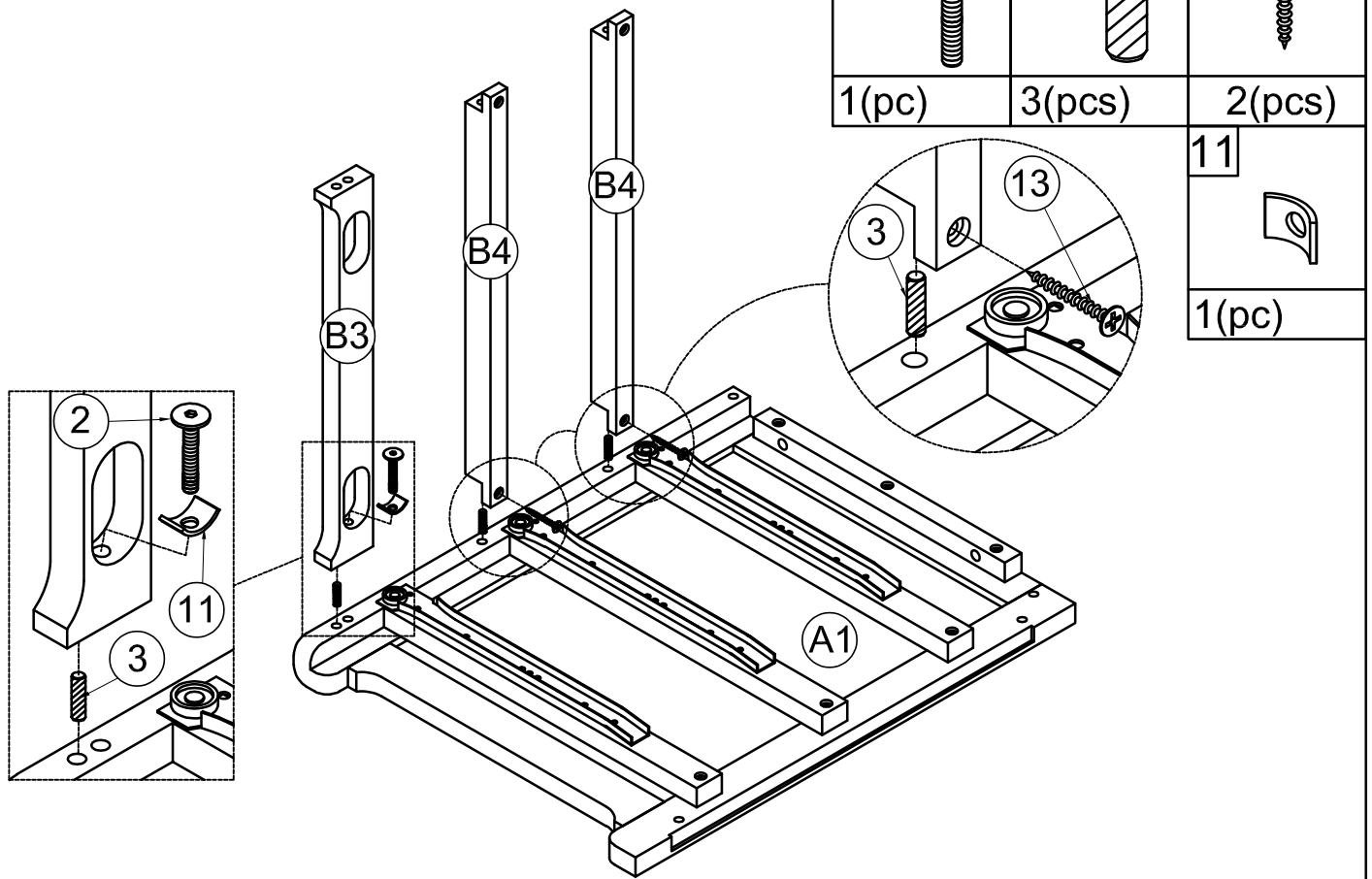


WoodBar-1pc

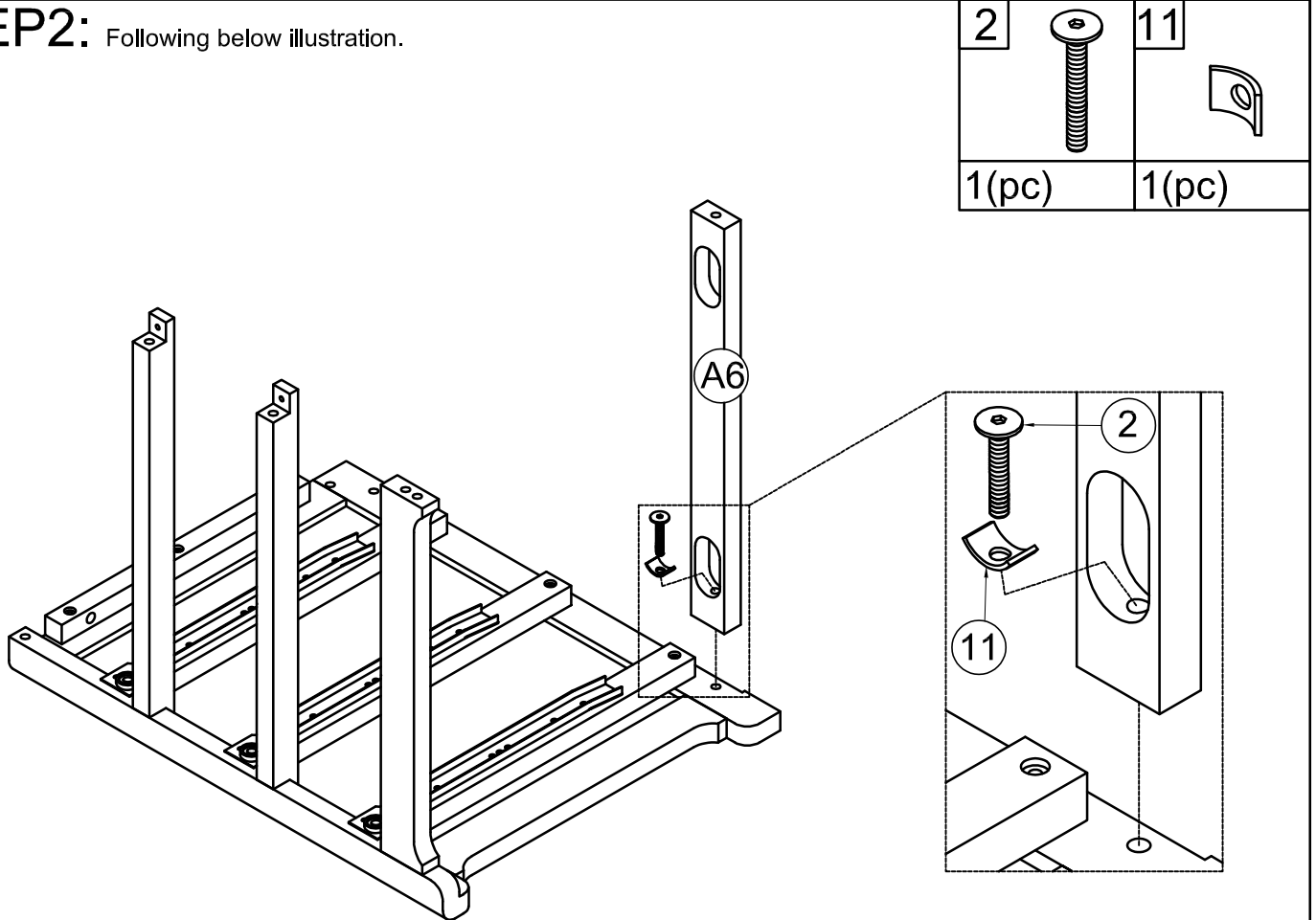
Hardware List (Box 1-WF297096)

<p>1</p>  <p>Ø1/4" x 35 mm Hex-Head bolts 4pcs</p>	<p>2</p>  <p>Ø1/4" x 45 mm Hex-Head bolts 4pcs</p>	<p>3</p>  <p>Ø8 x 30 mm Wood dowel 16pcs</p>
<p>4</p>  <p>1pc</p>	<p>5</p>  <p>4pcs</p>	<p>6</p>  <p>M4 x 30 mm Wood Screws 24pcs</p>
<p>7</p>  <p>M4 x 15 mm Wood Screws 8pcs</p>	<p>8</p>  <p>M4 x 25 mm Wood Screws 3pcs</p>	<p>9</p>  <p>Handle Wood 3pcs</p>
<p>10</p>  <p>Allen Key 1pc</p>	<p>11</p>  <p>4pcs</p>	<p>12</p>  <p>M3 x 15 mm Wood Screws 2pcs</p>
<p>13</p>  <p>M4 x 20 mm Wood Screws 4pcs</p>	 <p>Assembly Tools Required (Not Included)</p>	

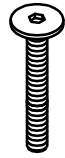
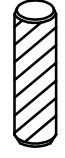


STEP1: Following below illustration.

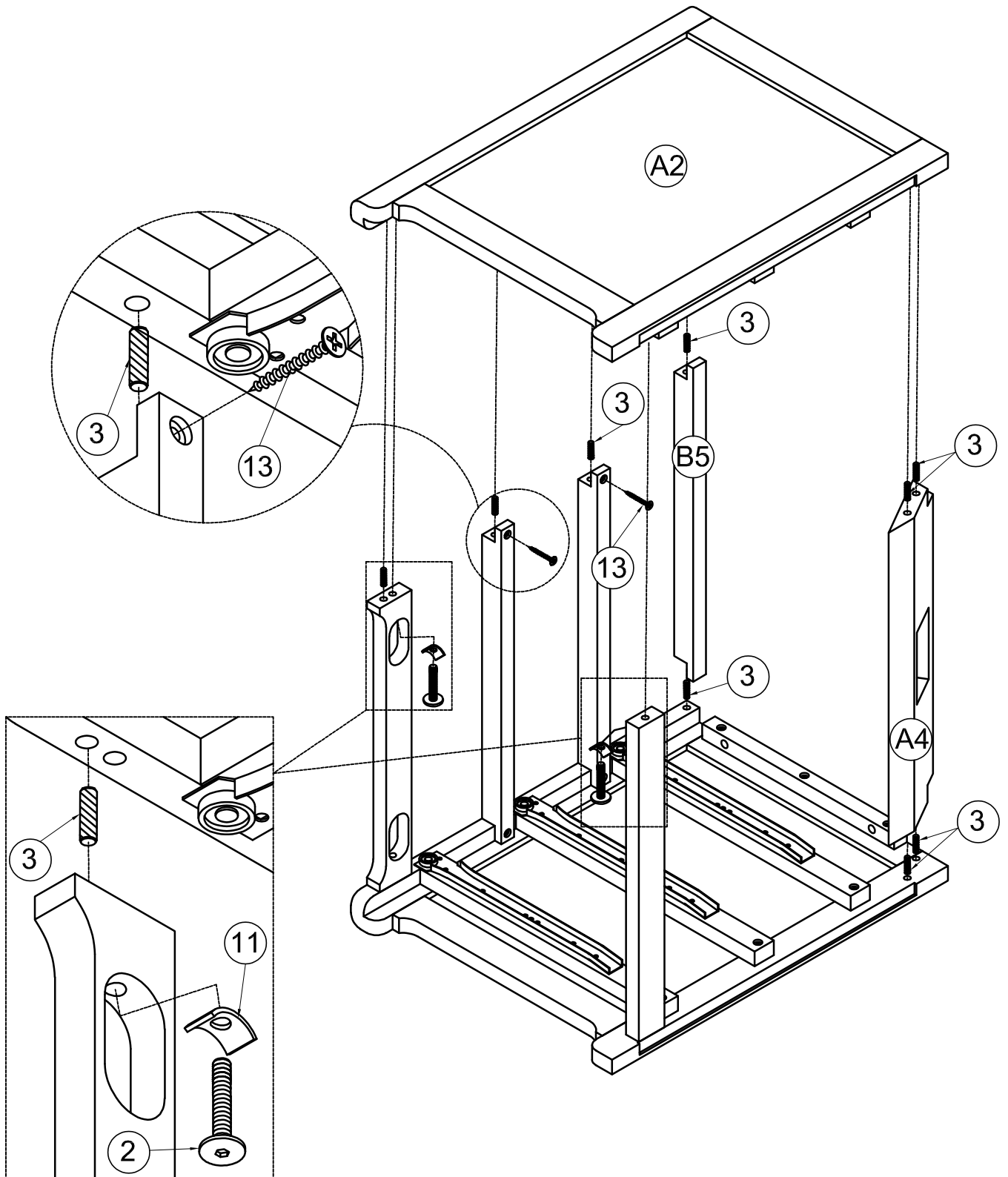


STEP2: Following below illustration.

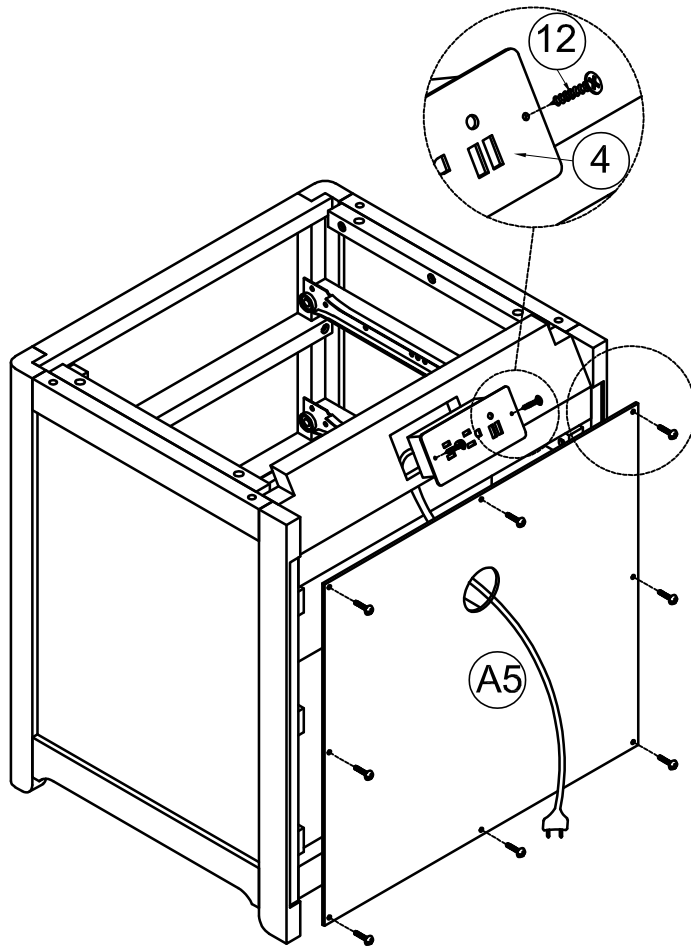


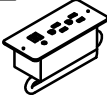


STEP3: Following below illustration.

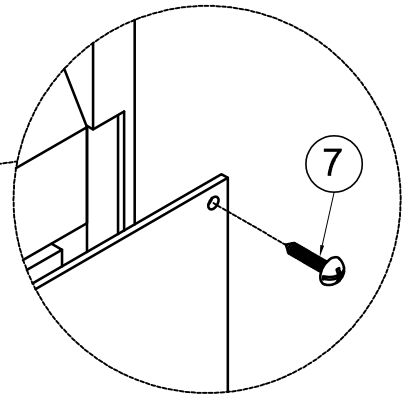
2		3		13	
2(pcs)		9(pcs)		2(pcs)	
				11	
				2(pcc)	



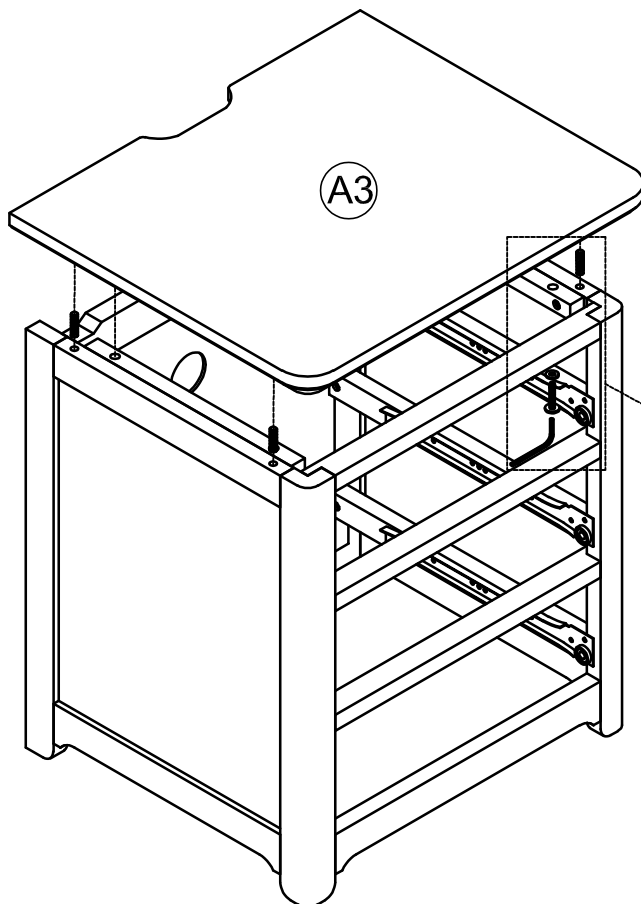
STEP4: Following below illustration.






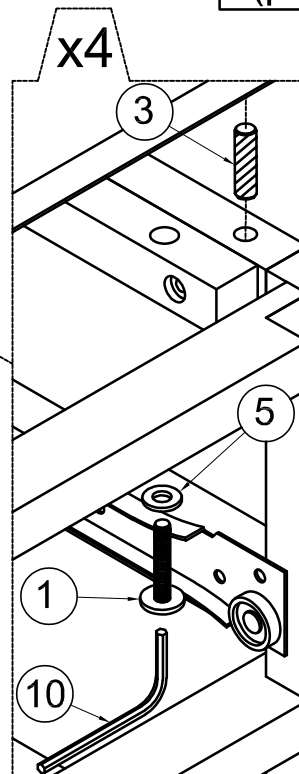
4	12	7
		
1(pc)	2(pcs)	8(pcs)



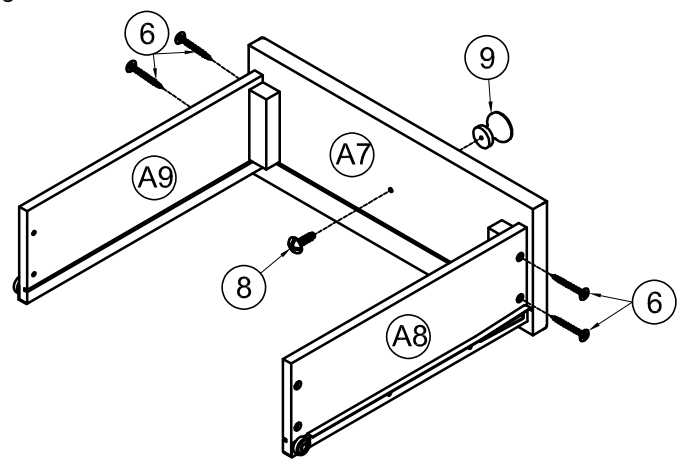
STEP5: Following below illustration.






1	3
	
4(pcs)	4(pcs)
	5
	
	4(pcs)

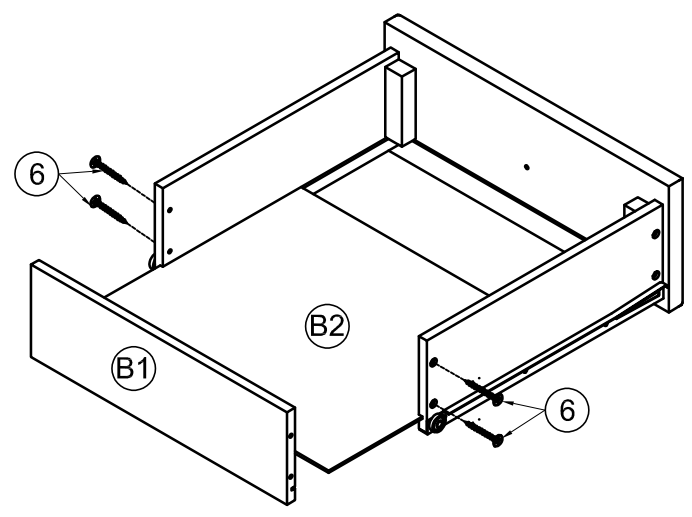



STEP6 x 3: Following below illustration.



9		8	
	3(pcs)		3(pcs)
		6	
			12(pcs)

STEP7 x 3: Following below illustration.



6	
	12(pcs)

STEP8: Following below illustration.

