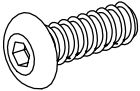
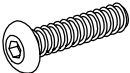
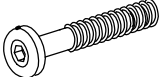

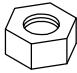

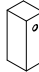

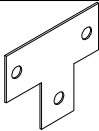
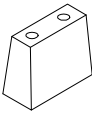
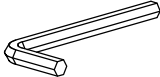

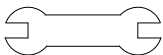
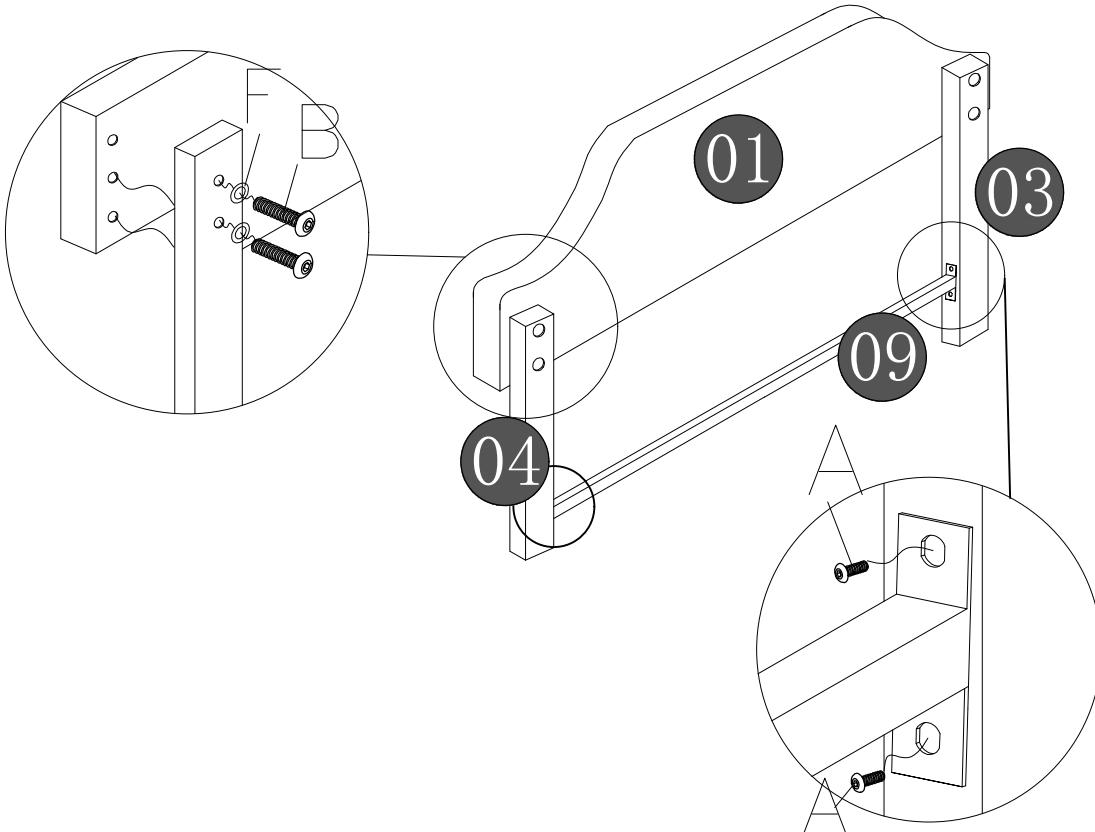


A	 8*20	22
B	 8*45	22
C	 8*80	4
D	 3.5*30	24

E		4
F		8
G	 10.8cm	2
H		4

I		2
J	 11cm	2
K		1
L		1
M		1

01

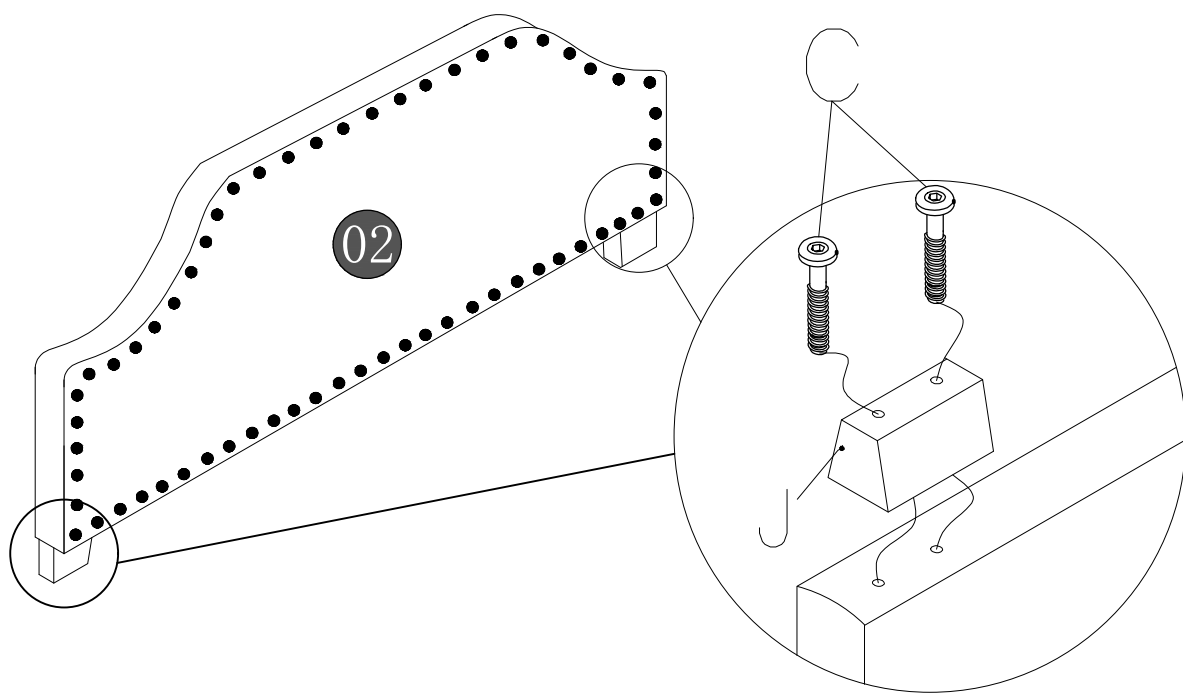


A		4
B		4

K		1
---	--	---

F		4
---	--	---

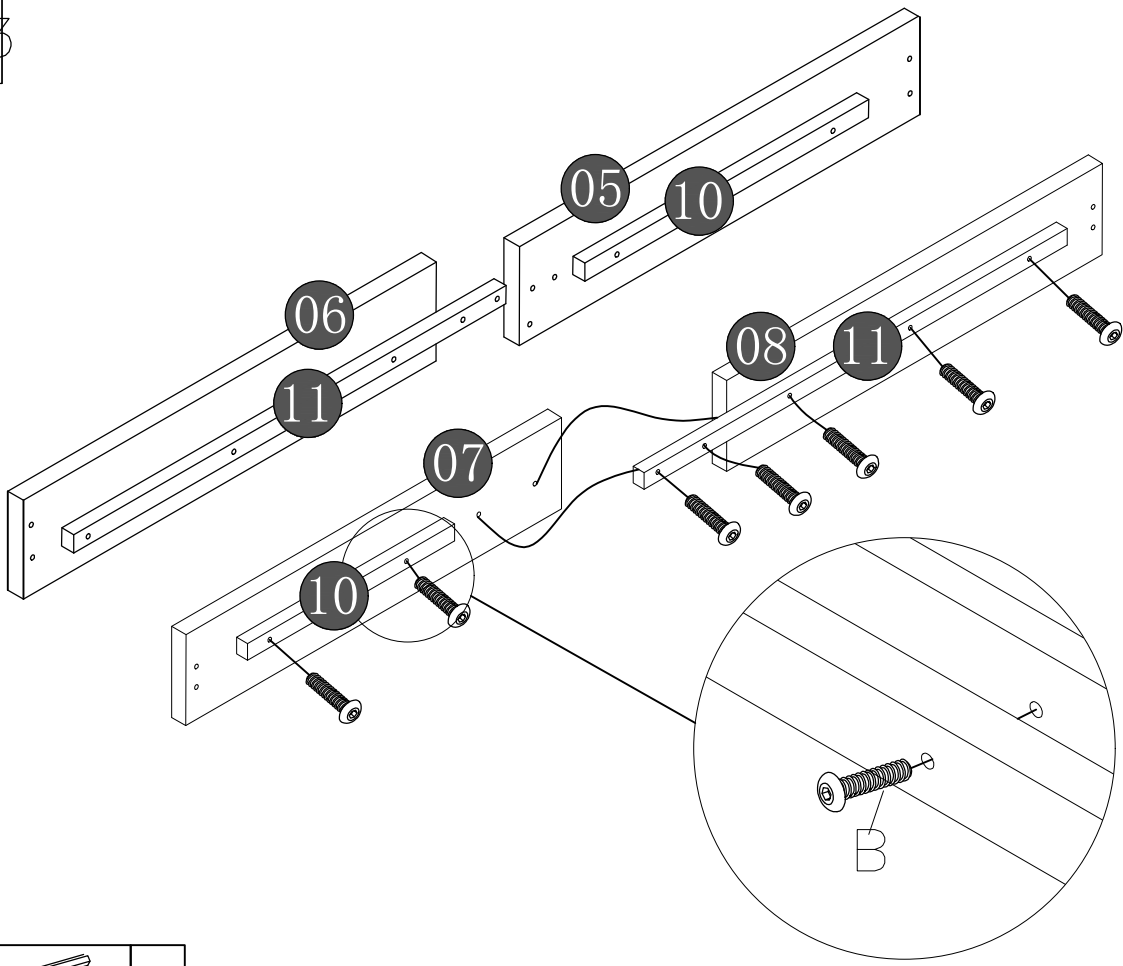
02

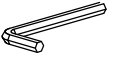


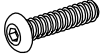
C		4
J		2

K		1
---	--	---

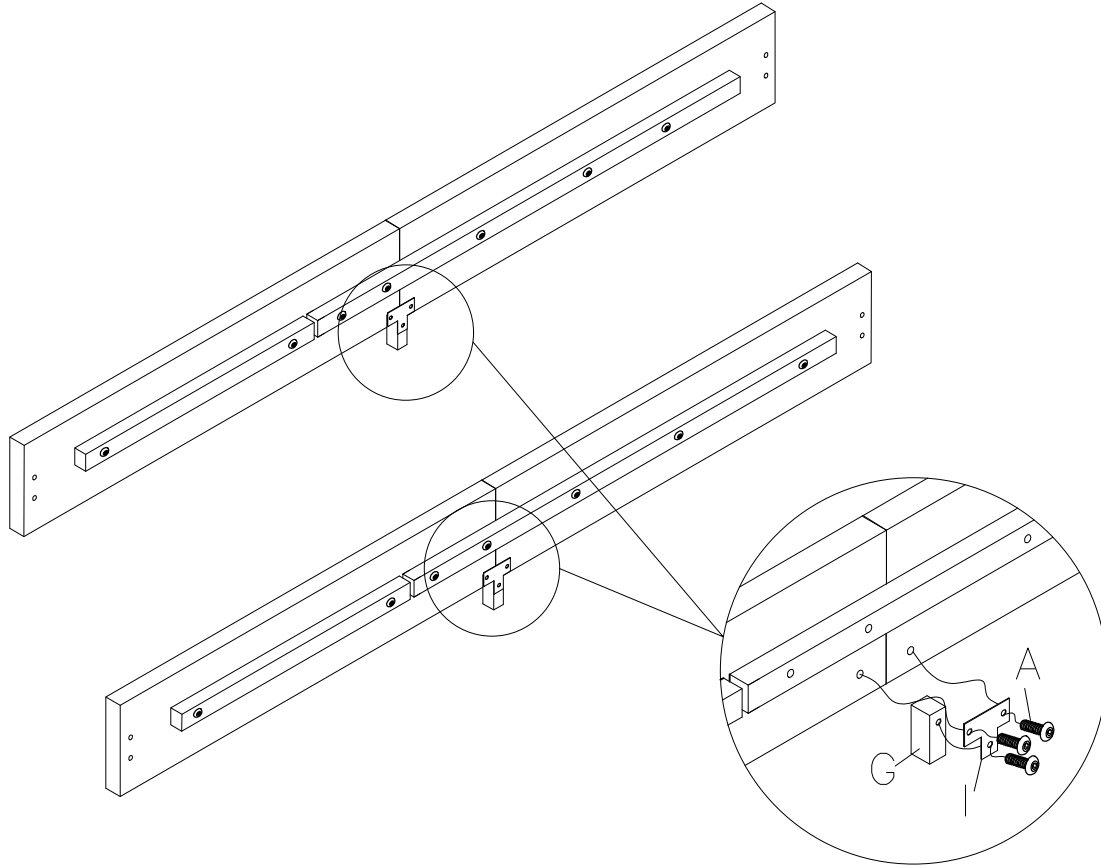
03

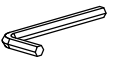


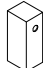
K		1
---	--	---

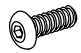
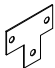
B		14	8*45
---	---	----	------

04

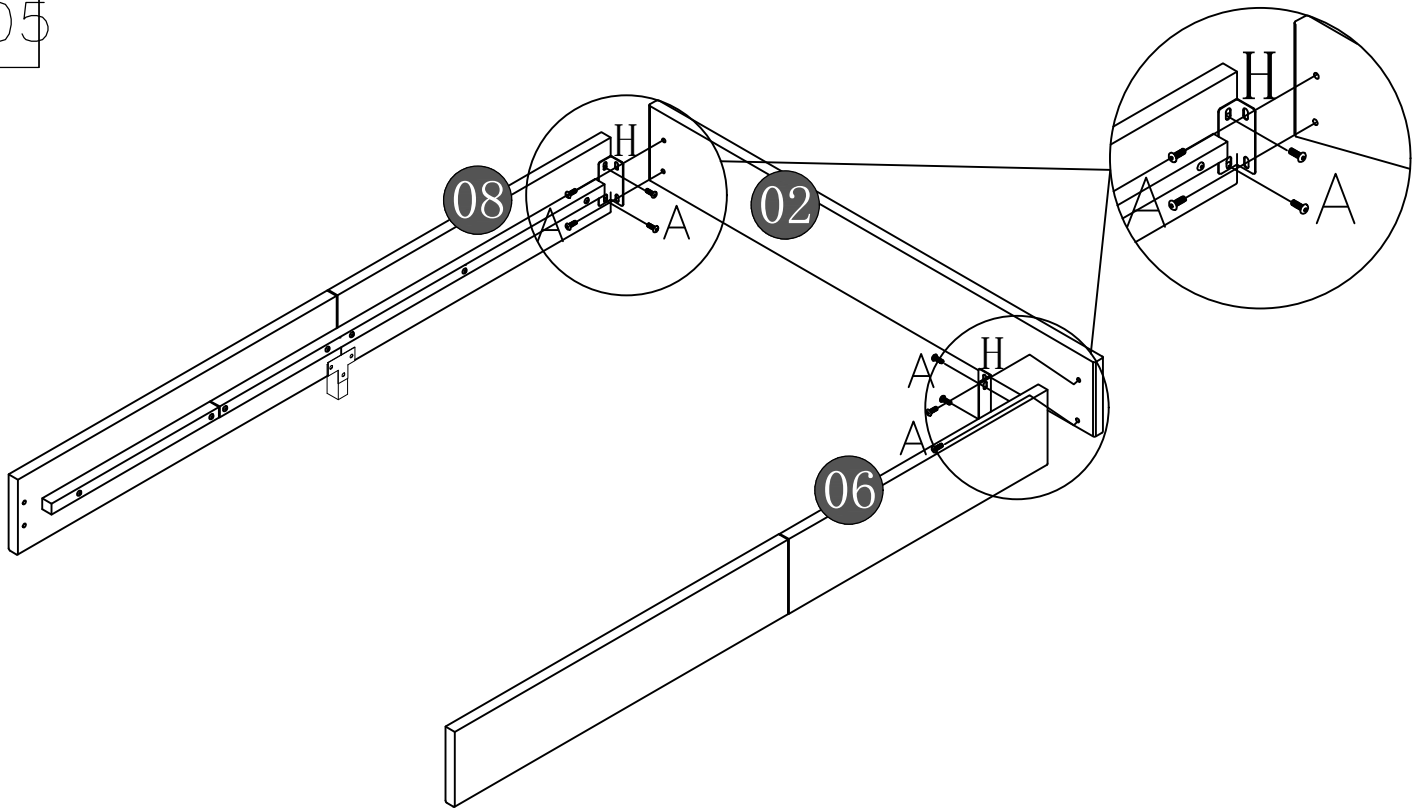



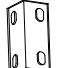
K		1
---	--	---

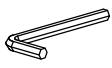
G		2	10.8cm
---	---	---	--------

A		6	8*20
I		2	

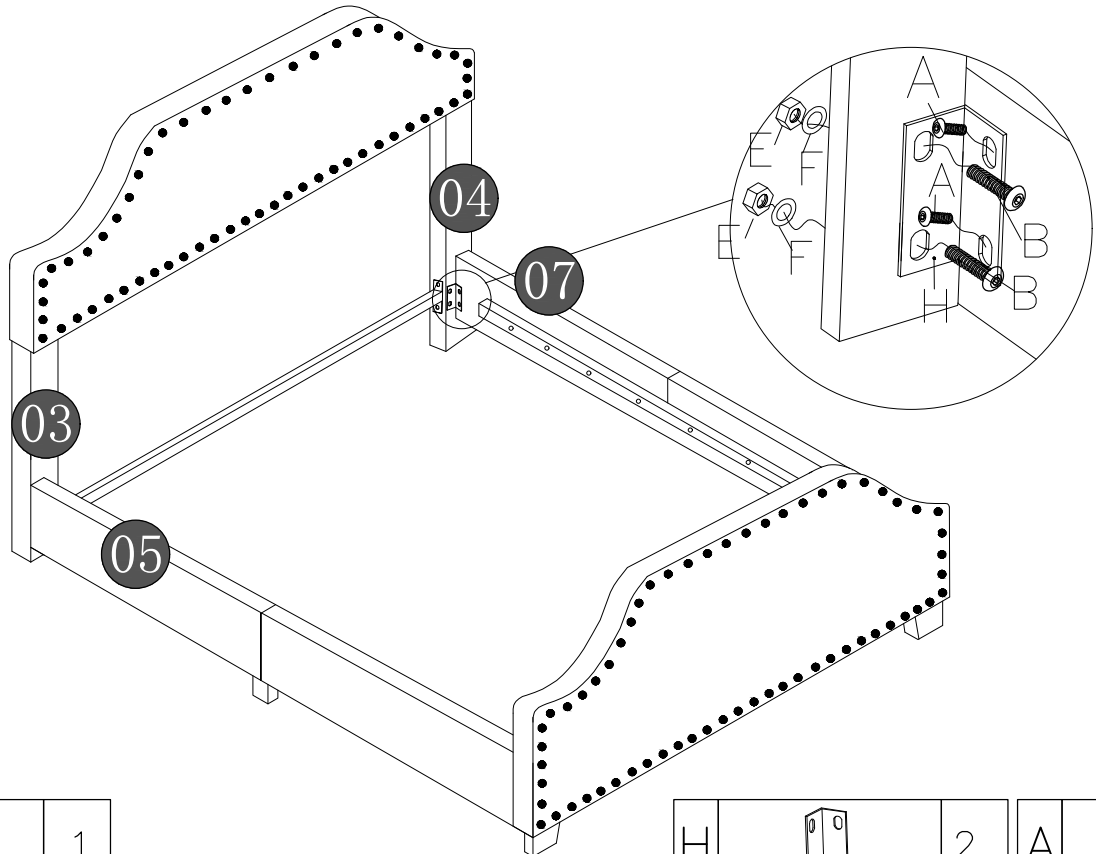
05

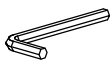
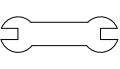


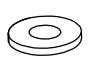
A		8
H		2


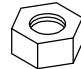
K		1
---	---	---

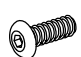
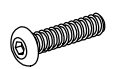
06



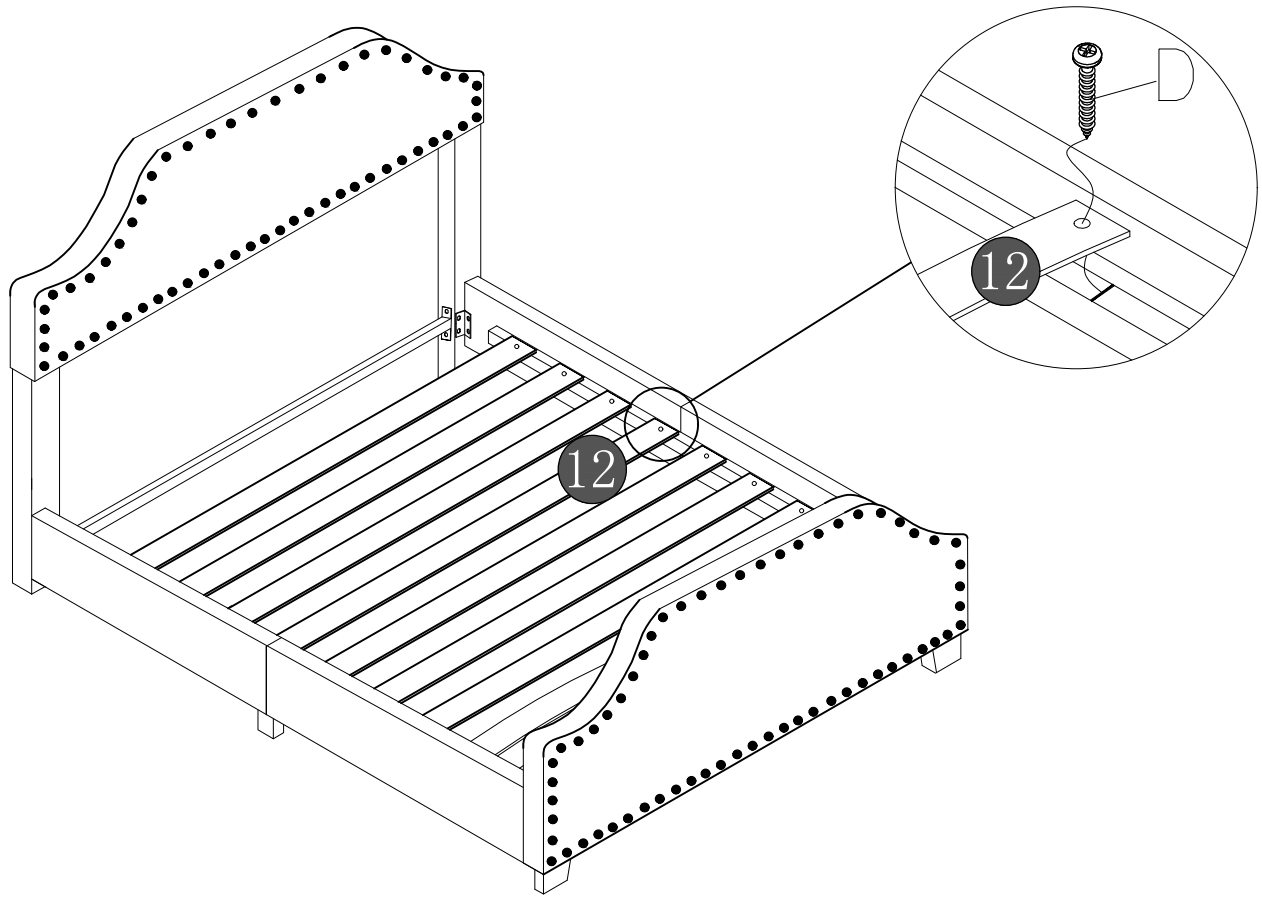
K		1
M		1


F		4
---	---	---


H		2
E		4

A		4
B		4

07



L		1
---	--	---

D		24
		3.5*30