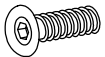
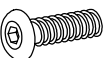
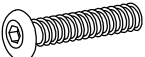
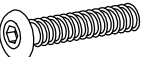
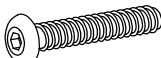


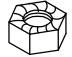
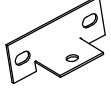


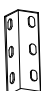


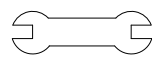
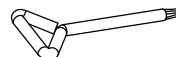

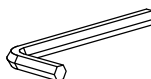
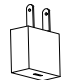
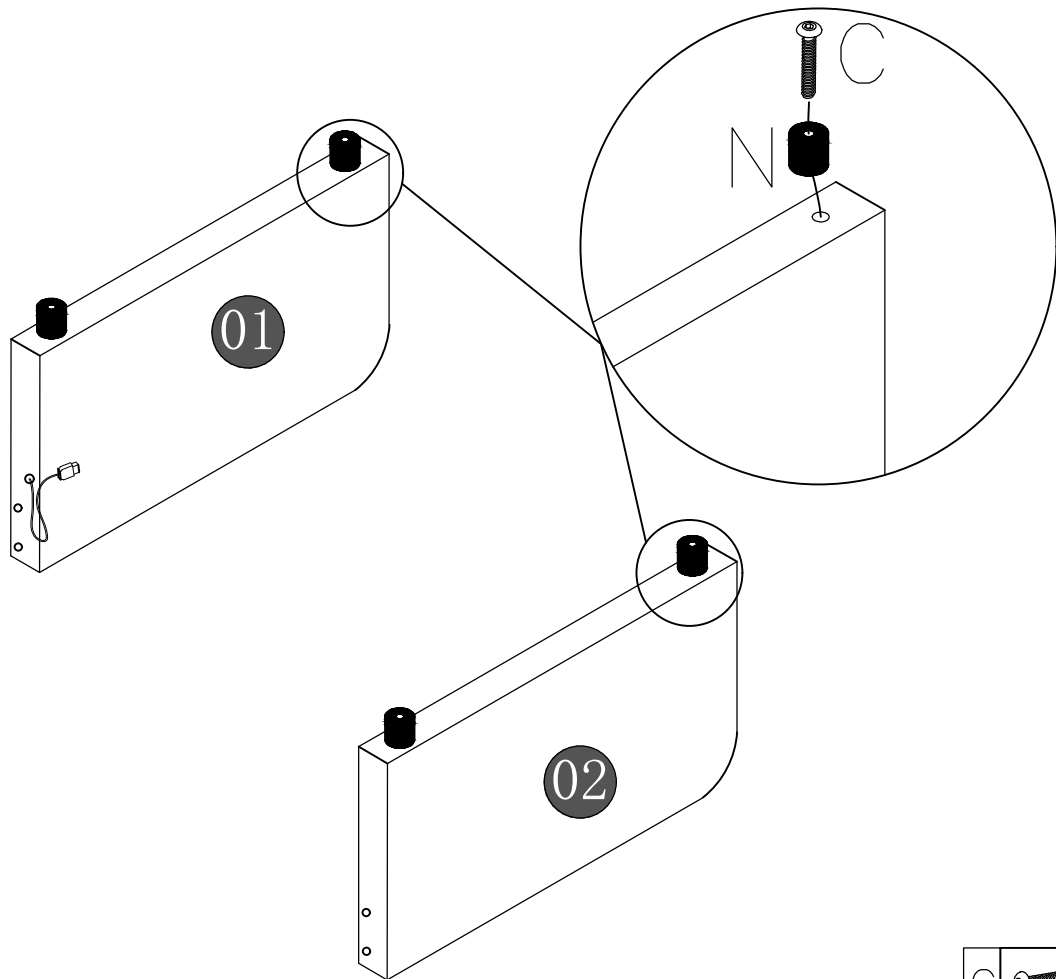


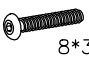

A	 M6*25	8
B	 8*20	32
C	 8*35	6
D	 8*40	4
E	 8*50	12
F	 M4*16	8

G		8
H		6
I		2
J		2
K		2
L		2

M	 1.5	4
N	 2.5	4
O		1
P		1
Q	 M6	1
R	 M8	1
S		1

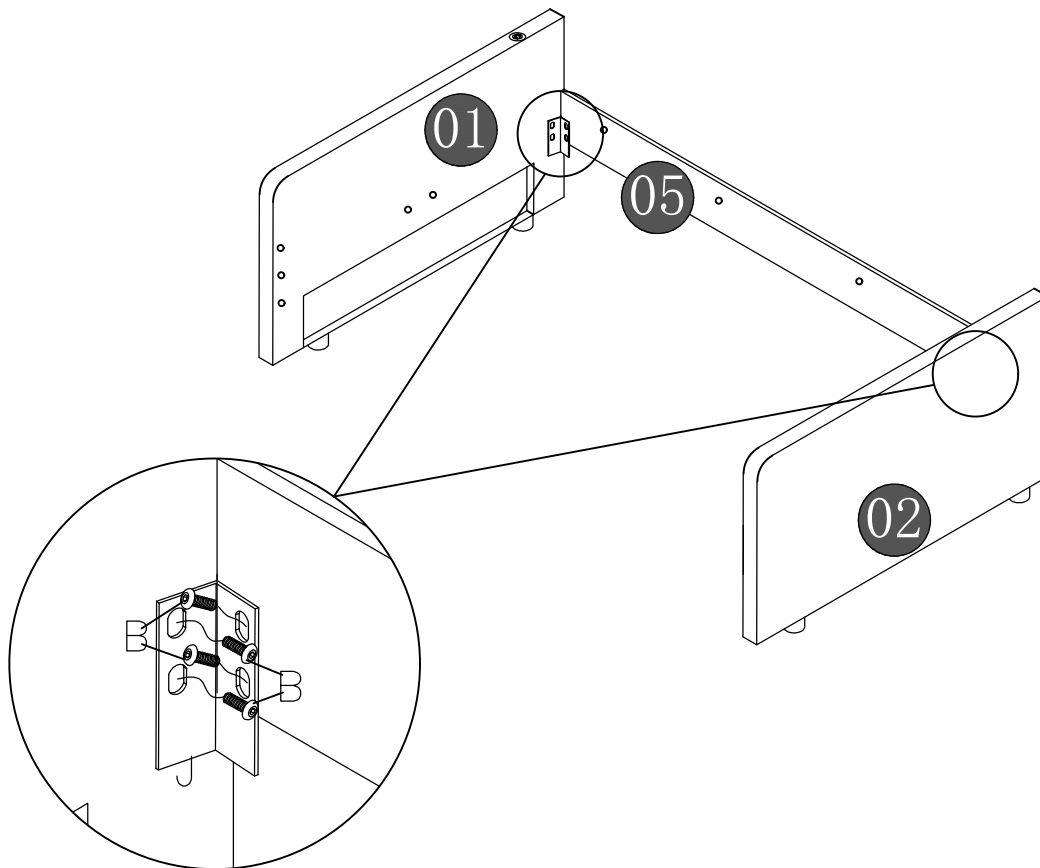
01

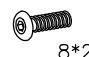




C		4
	8*35	
N		4
	2.5	

R		1
	M8	

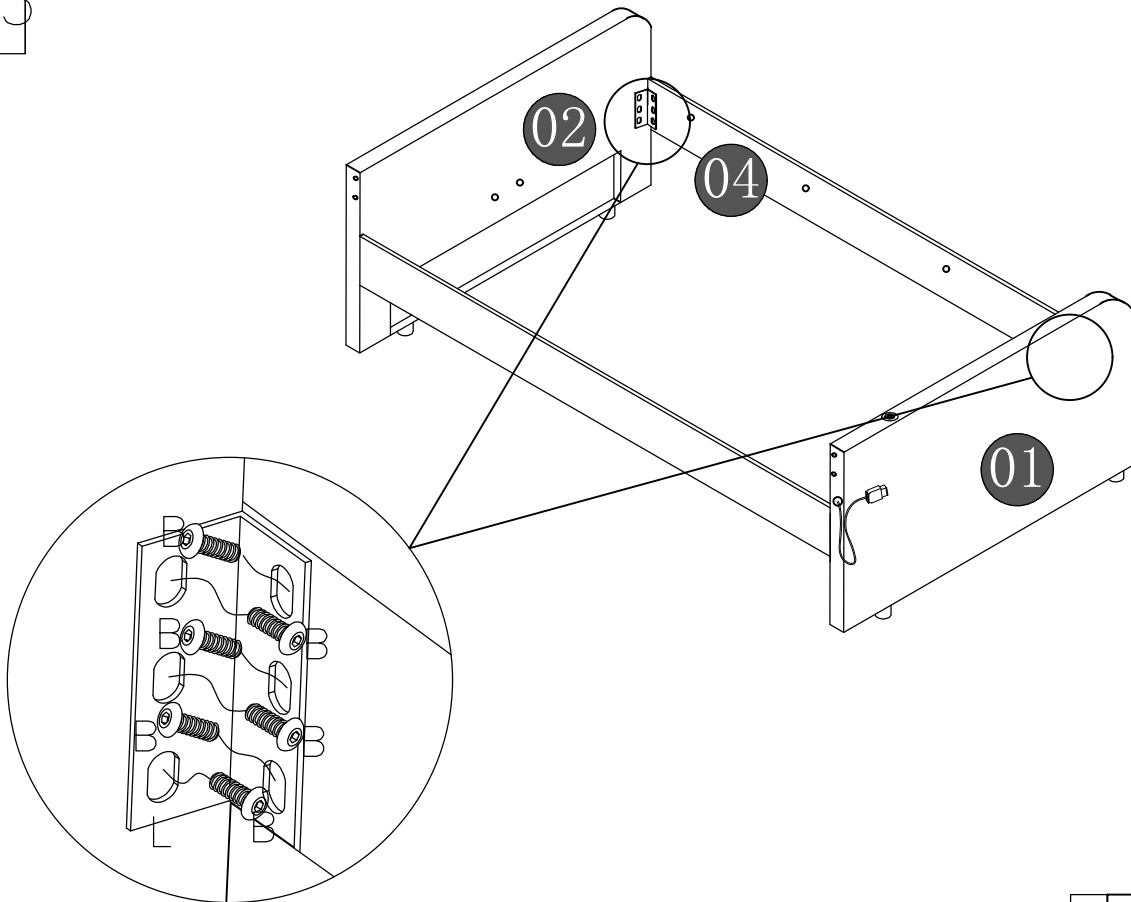
02

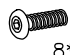




B		8
	8*20	
J		2

R		1
	M8	

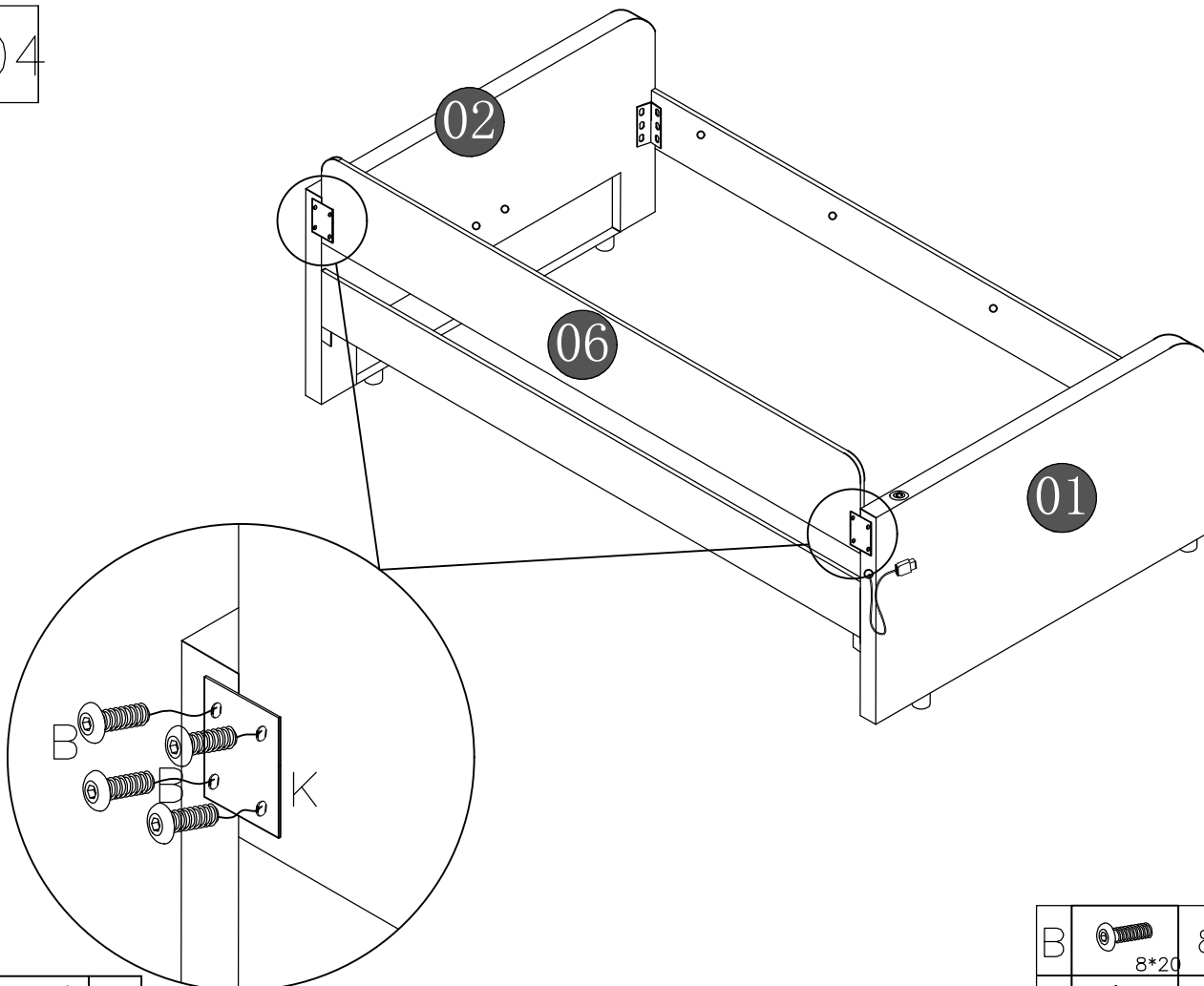
03

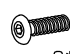




B		12
	8*20	
L		2

R		1
	M8	

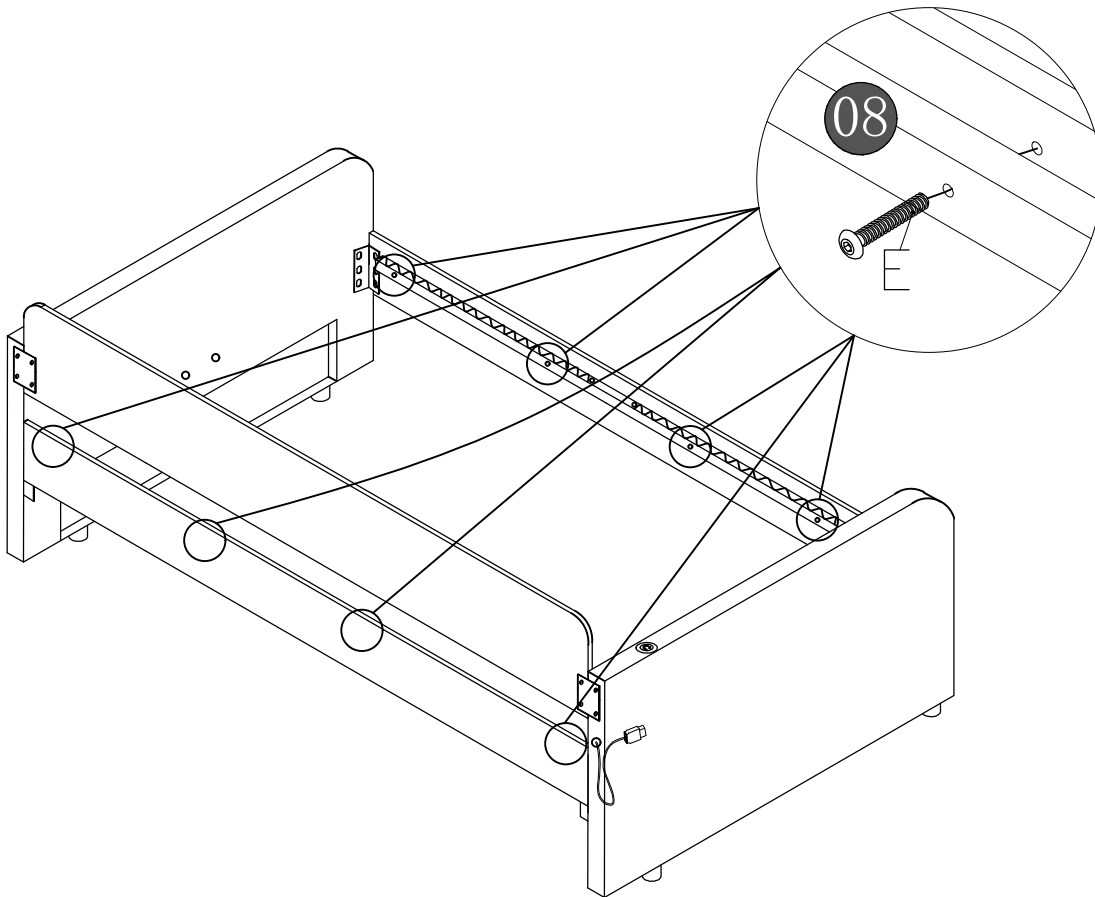
04





B		8
	8*20	
K		2

R		1
	M8	

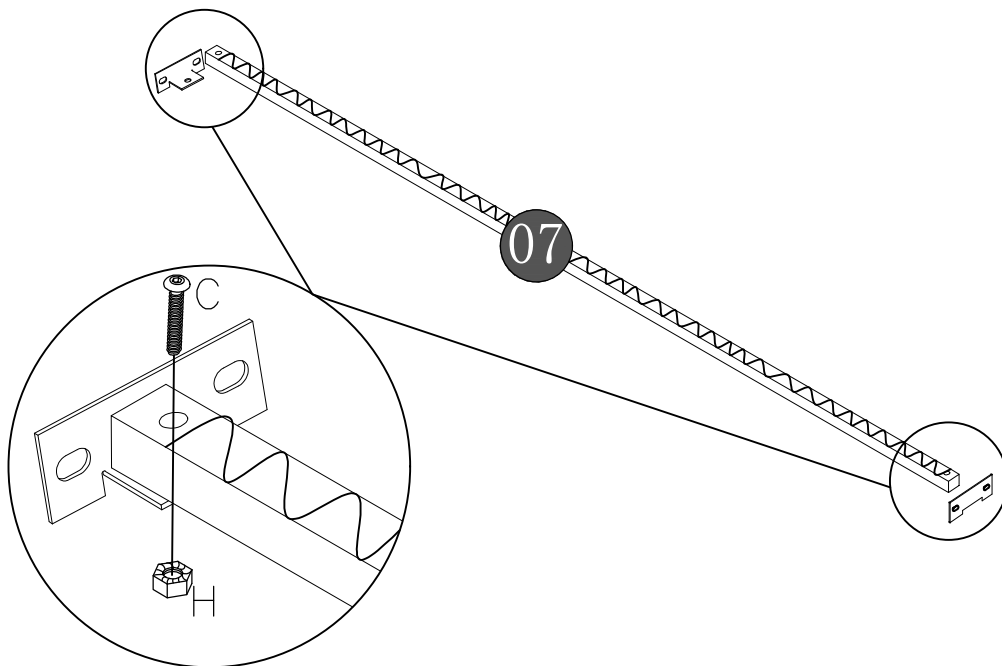
05

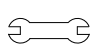
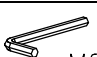




R		1
	M8	

E		8
	8*50	

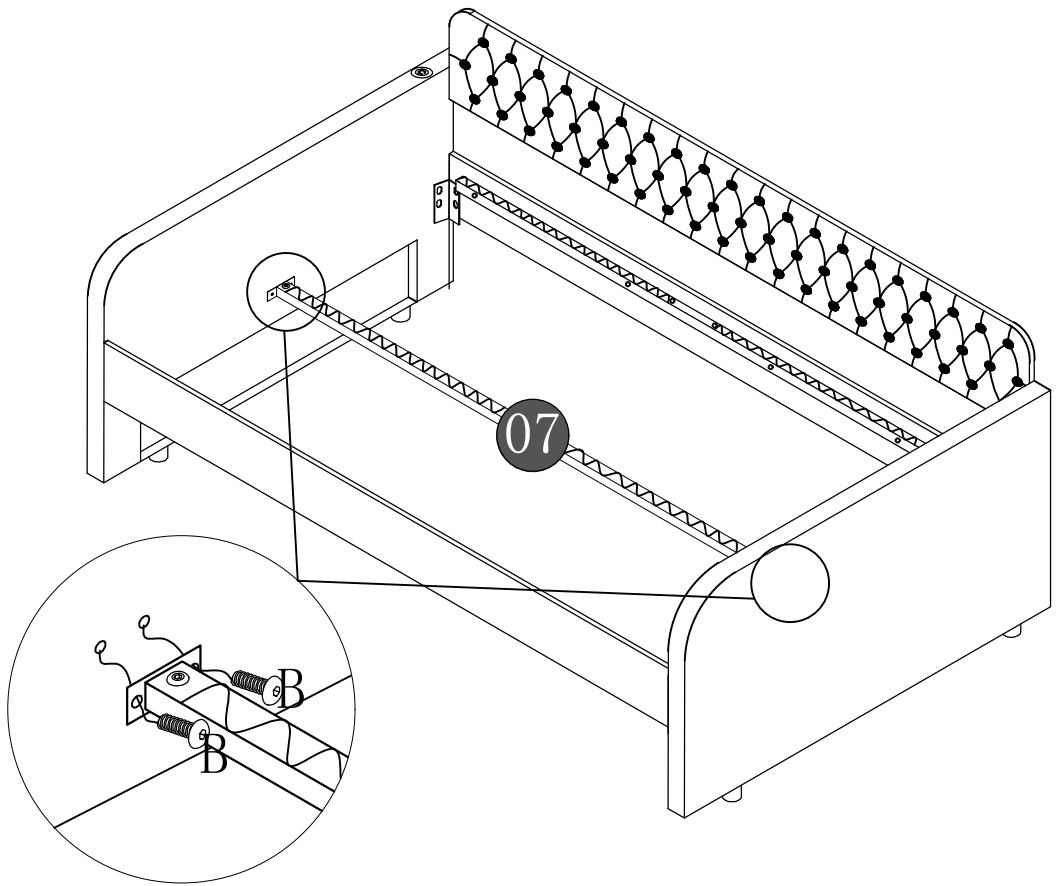
06





O		1
R		1
	M8	

C		2
	8*35	
H		2

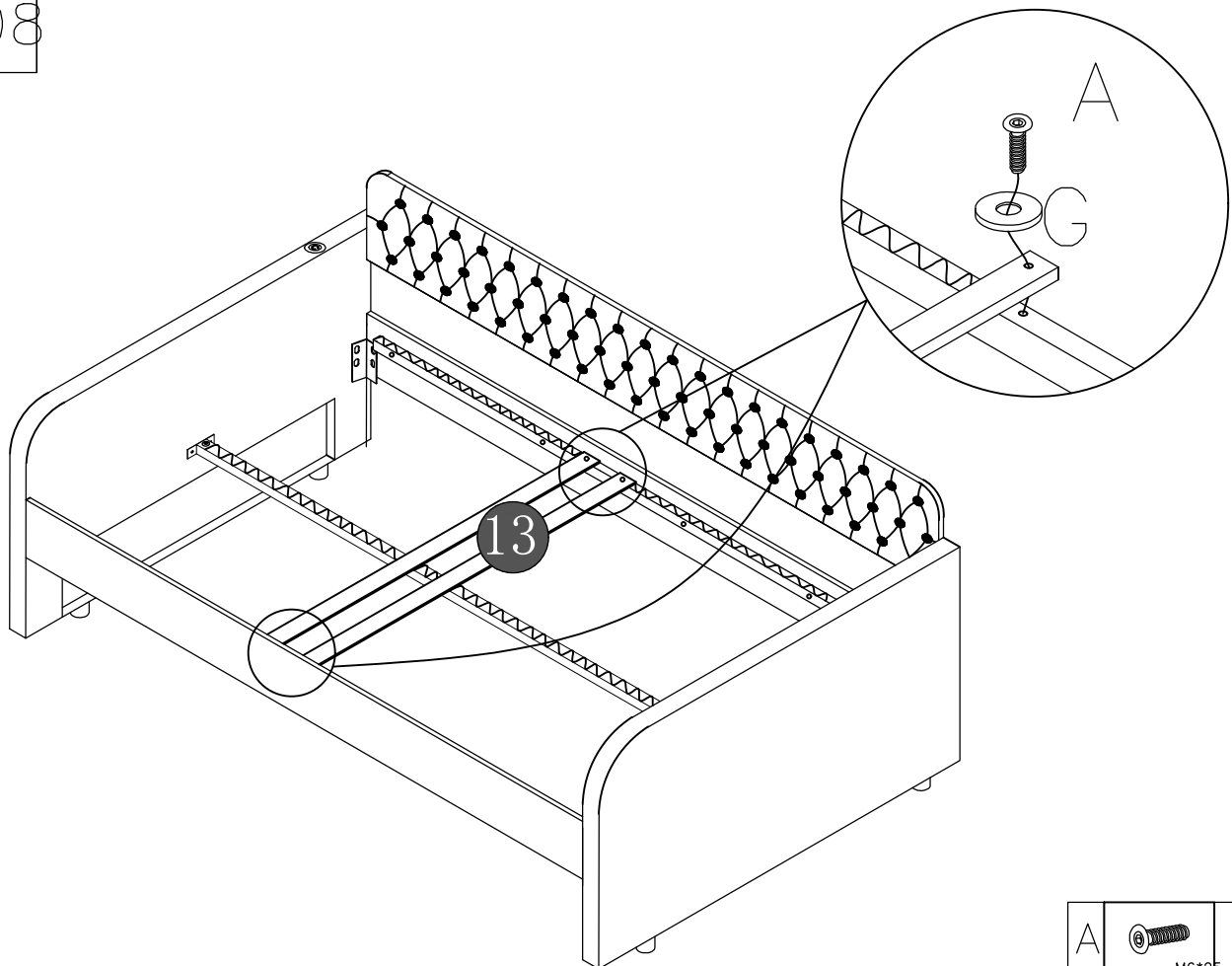
07

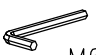




R		1
	M8	

B		4
	8*20	

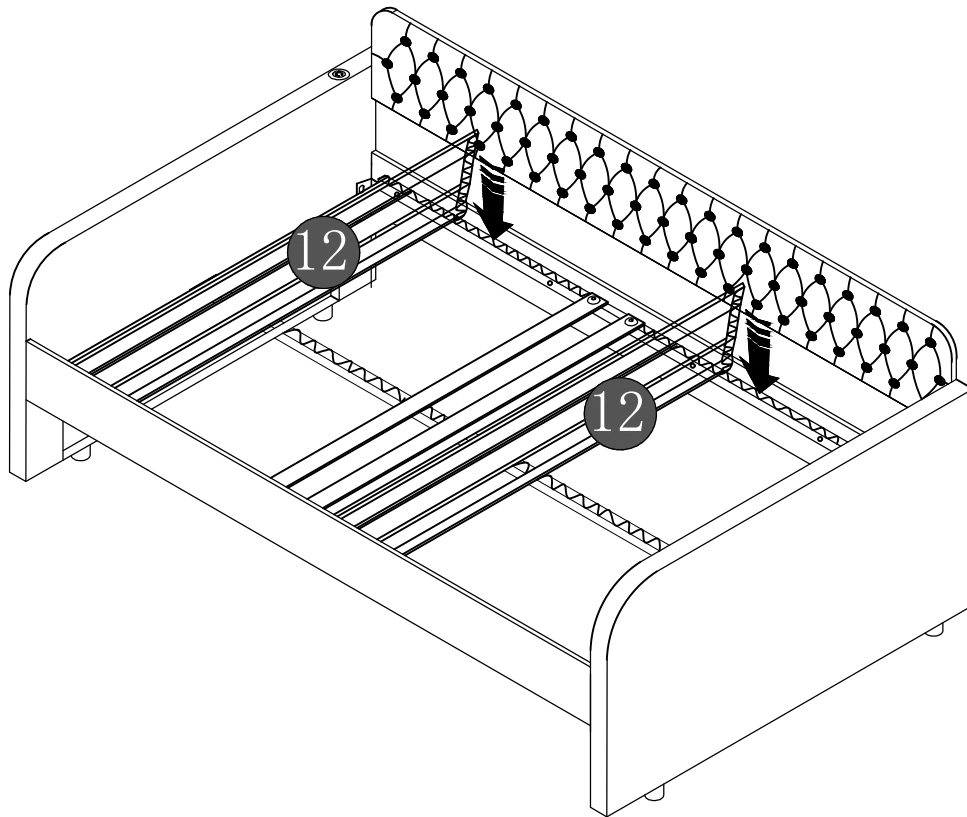
08



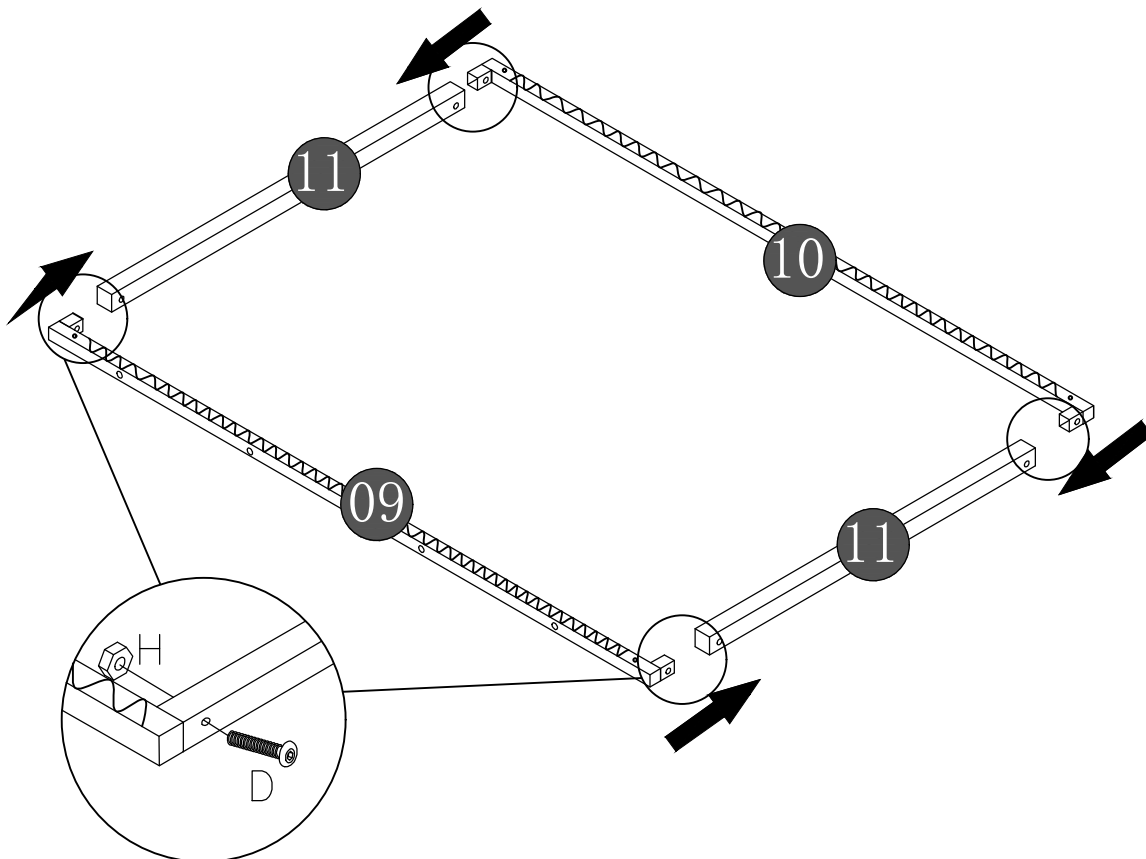
Q		1
	M6	



A		4
	M6*25	
G		4



09



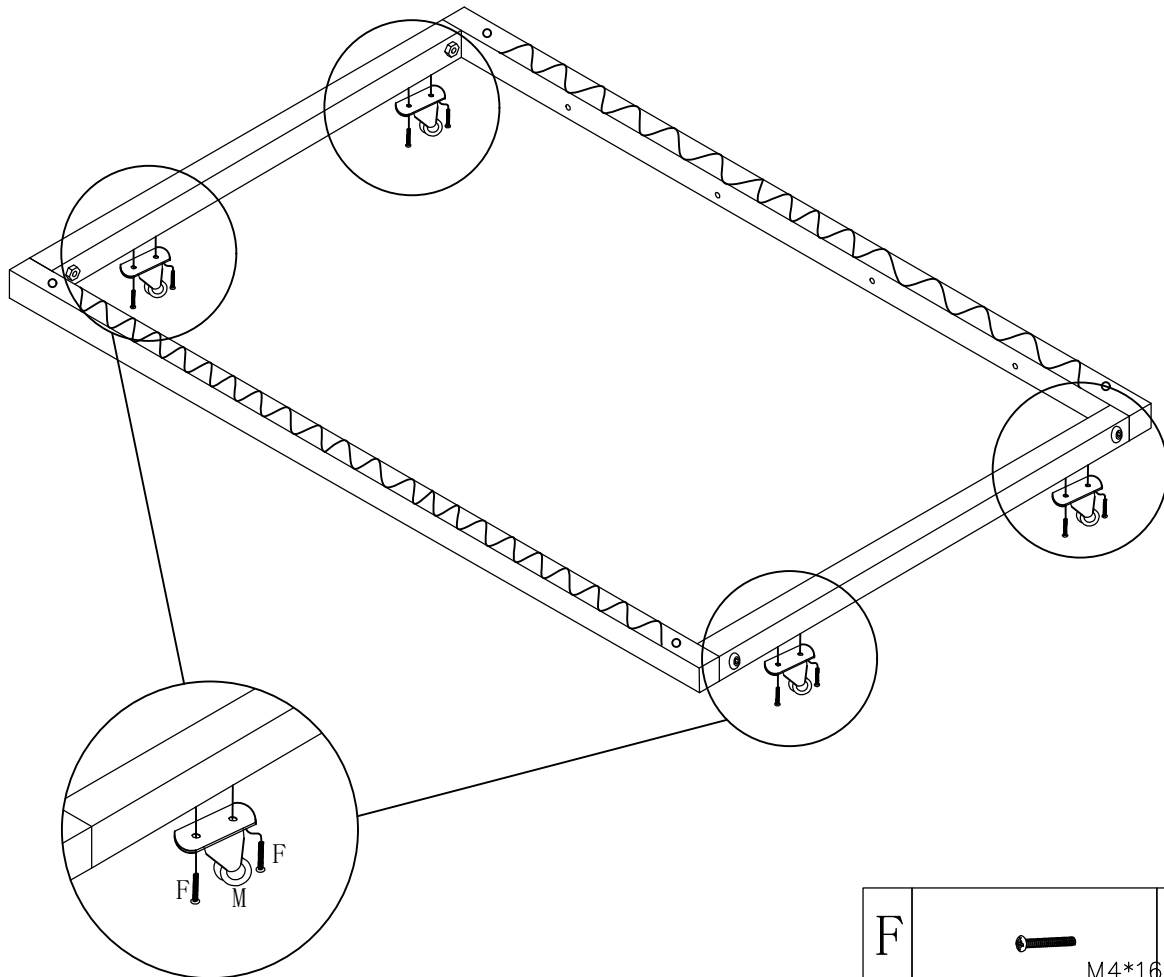
10






O		1
R		1

D		4
	8*40	
H		4

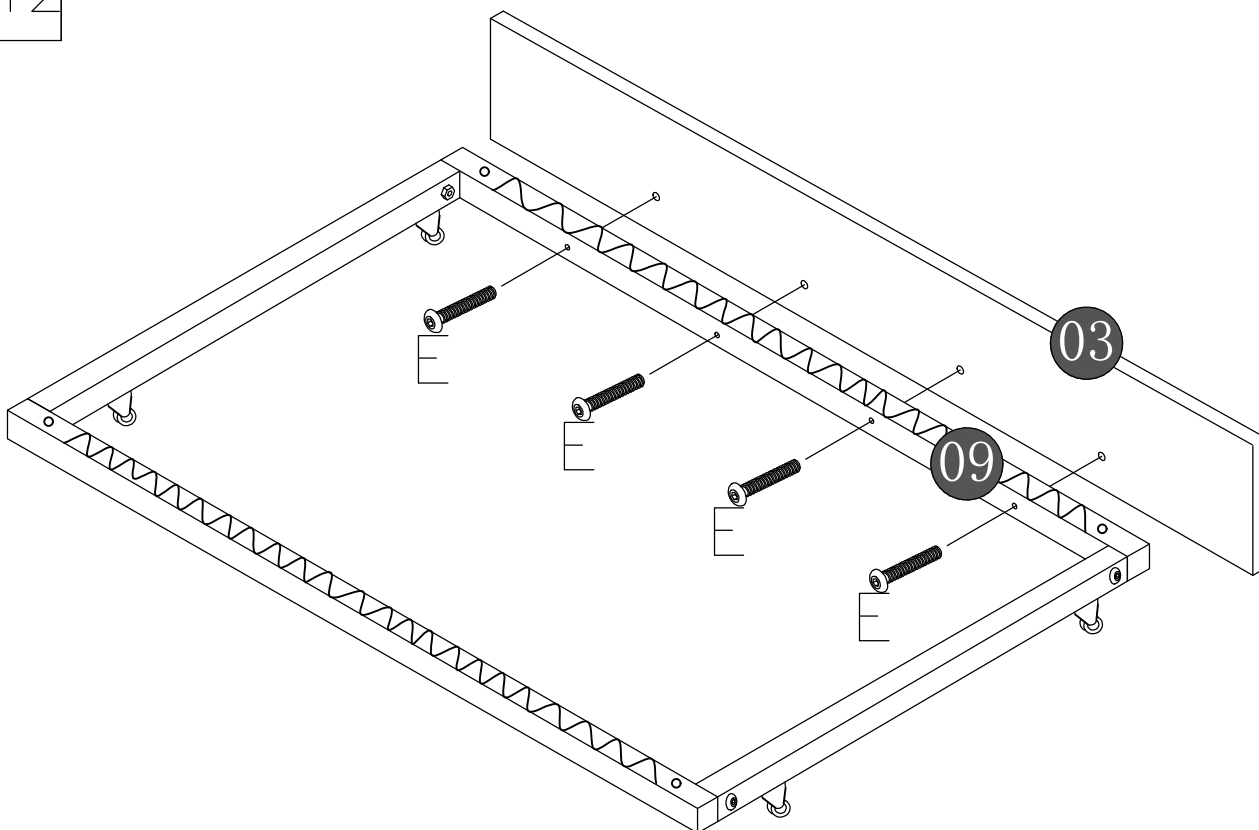
11





F	 M4*16	8
M	 1.5cm	4

P		1
---	---	---

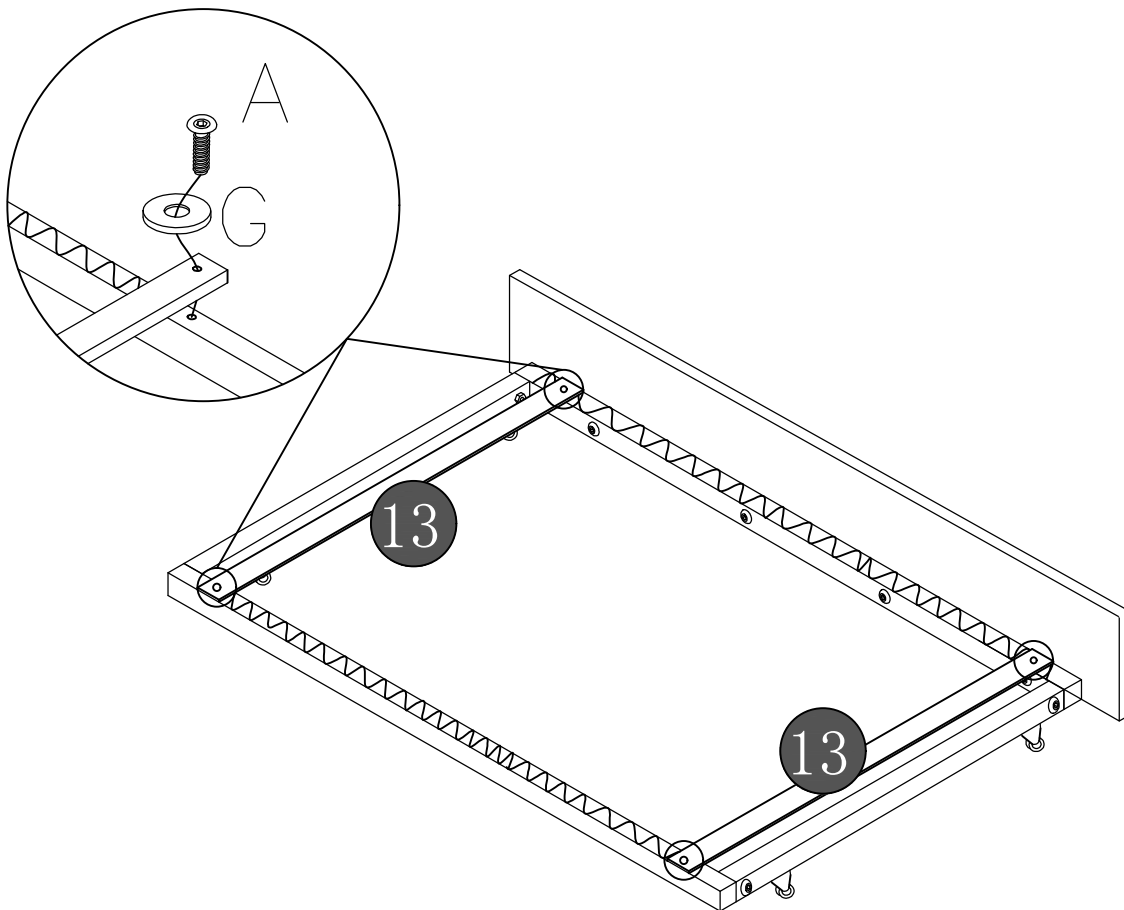
12

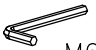




R	 M8	1
---	--	---

E	 8*50	4
---	--	---

13



Q		1
	M6	

A		4
	M6*25	
G		4

14

