


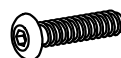







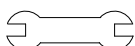





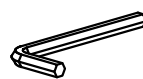


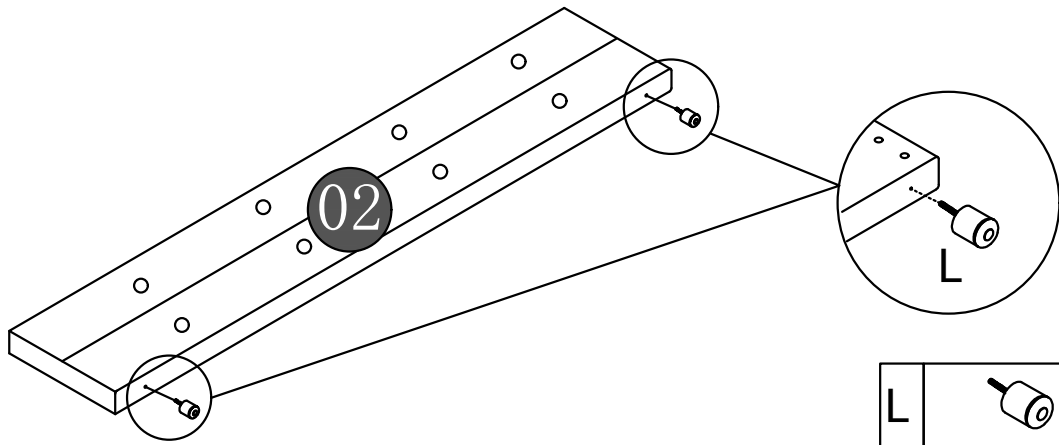



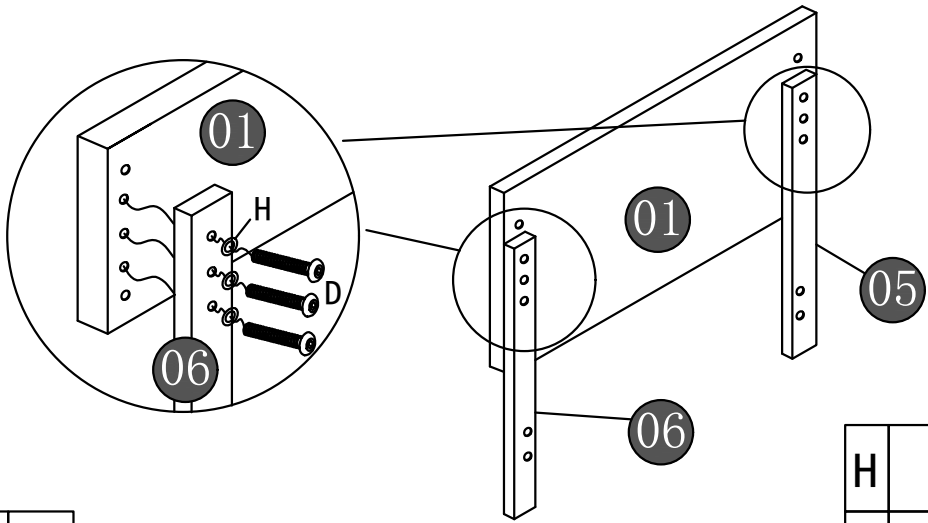
A	 8*20	59	H		14	O	 29.5cm	3
B	 8*35	4	I		4	P		16
C	 8*45	8	J		1	Q		16
D	 8*50	13	K		4	R		1
E	 5*40	8	L	 4cm	2	S		1
F	 M 8	8	M	 4cm	4	T		1
G	 M 5	8	N	 1.5	8			



01




L		02
4cm		

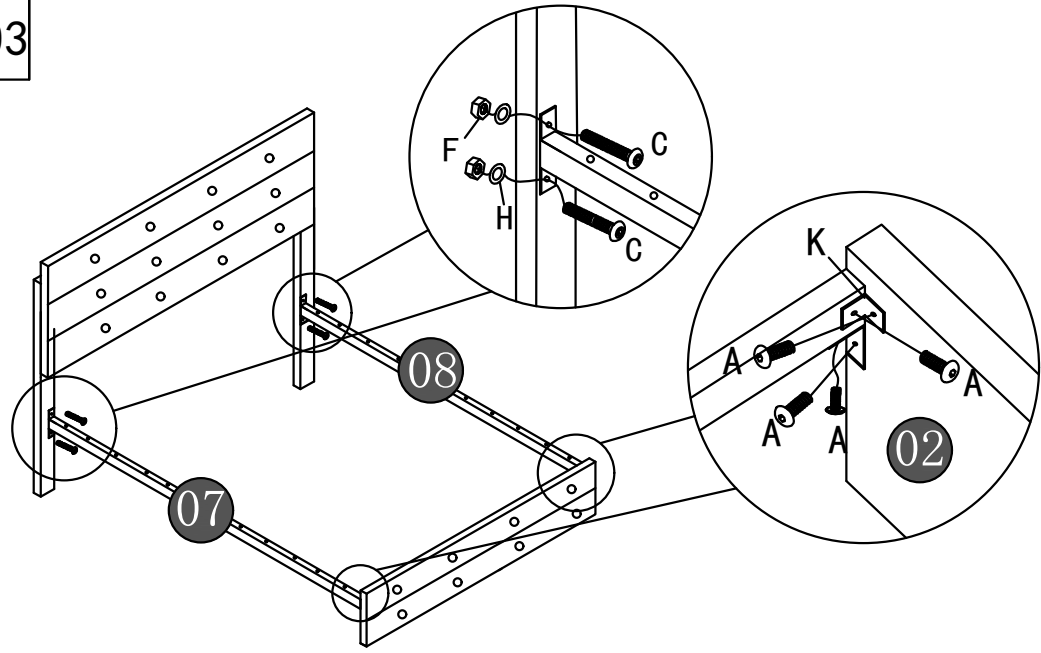
02








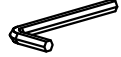
H		6
D		6
8*50		

T		1
---	---	---

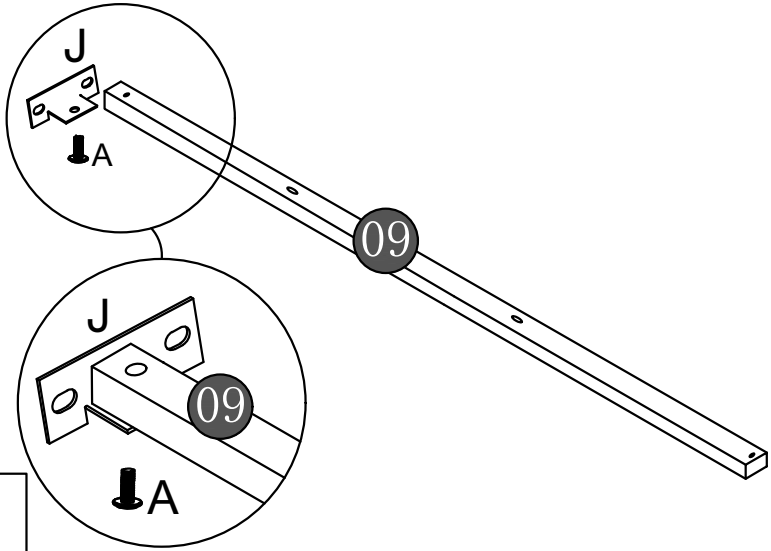
03



A		8
8*20		
C		4
8*45		
F		4
M 8		
H		4
K		4

T		1
---	---	---

04

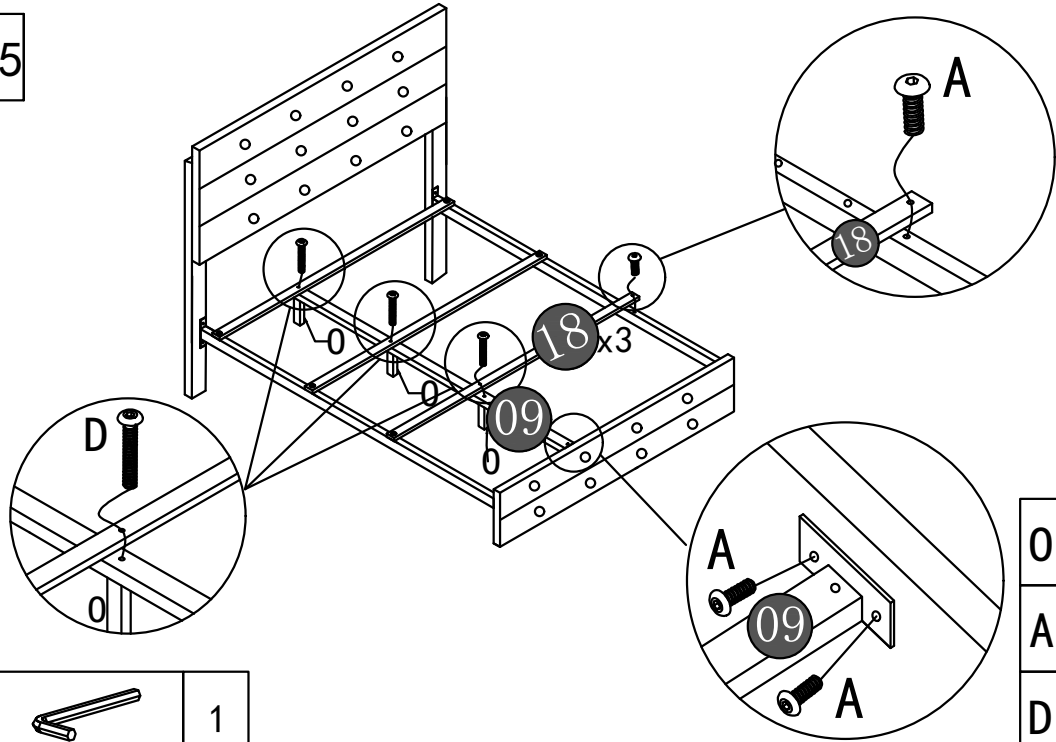


T		1
---	--	---

J		1
A		1

8\*20

05

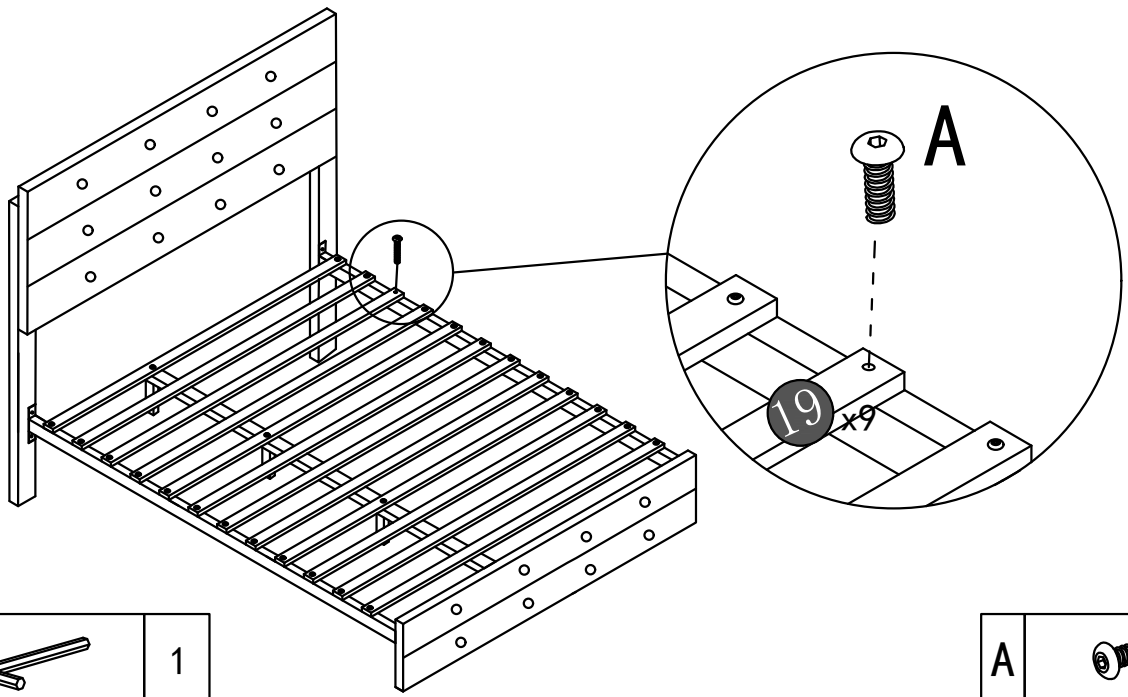


T		1
---	--	---

O		3
A		8
D		3

29.5cm  
8\*20  
8\*50

06

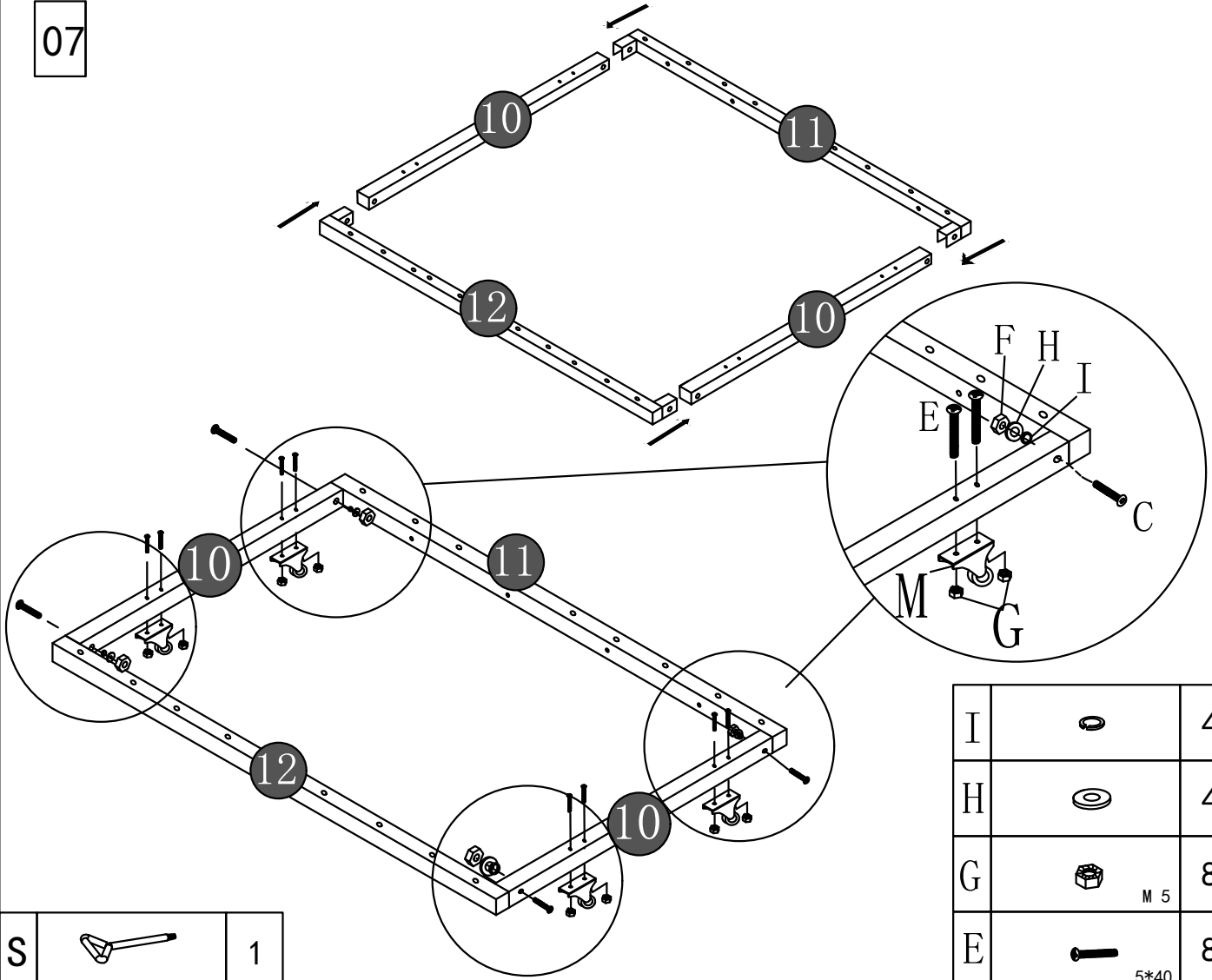



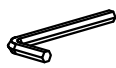
T		1
---	--	---



A		18
---	--	----






8\*20

07

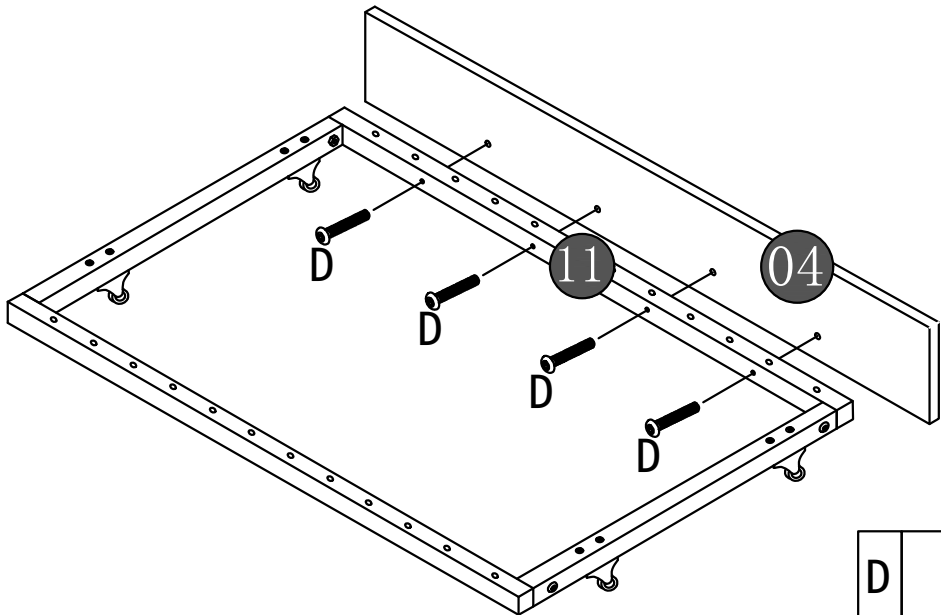



S		1
T		1

M		4	F		M 8	4
---	---	---	---	--	-----	---

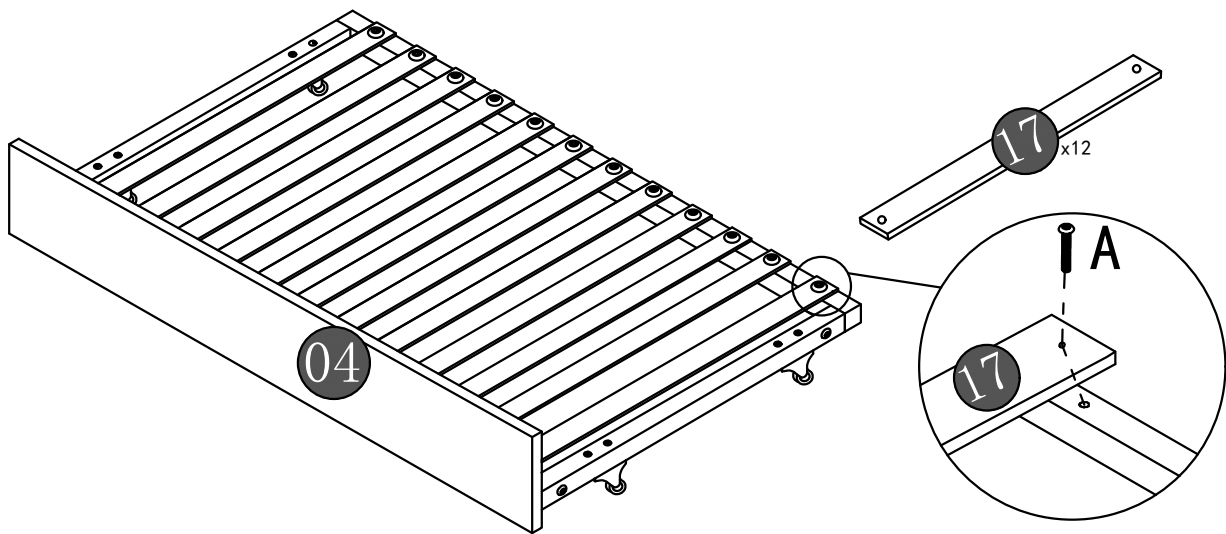
I		4
H		4
G	 M 5	8
E	 5*40	8
C	 8*45	4


08




D	 8*50	4
---	--	---

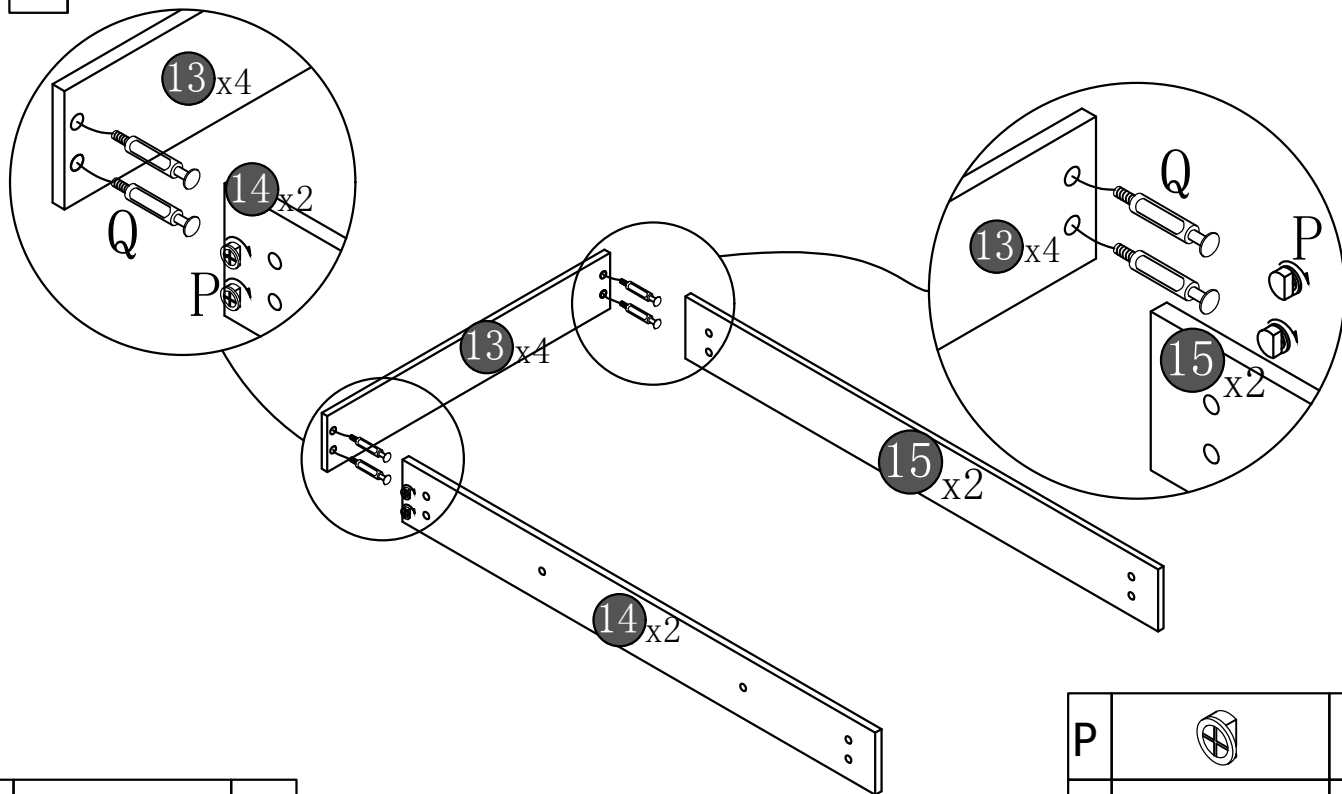
09





T		1
---	---	---

A		24
---	---	----

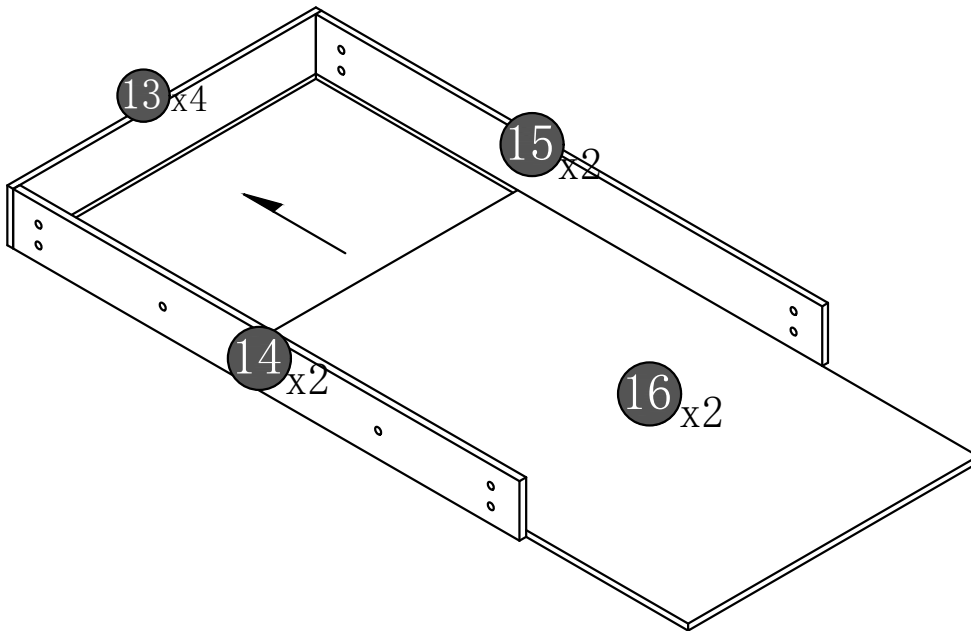
10



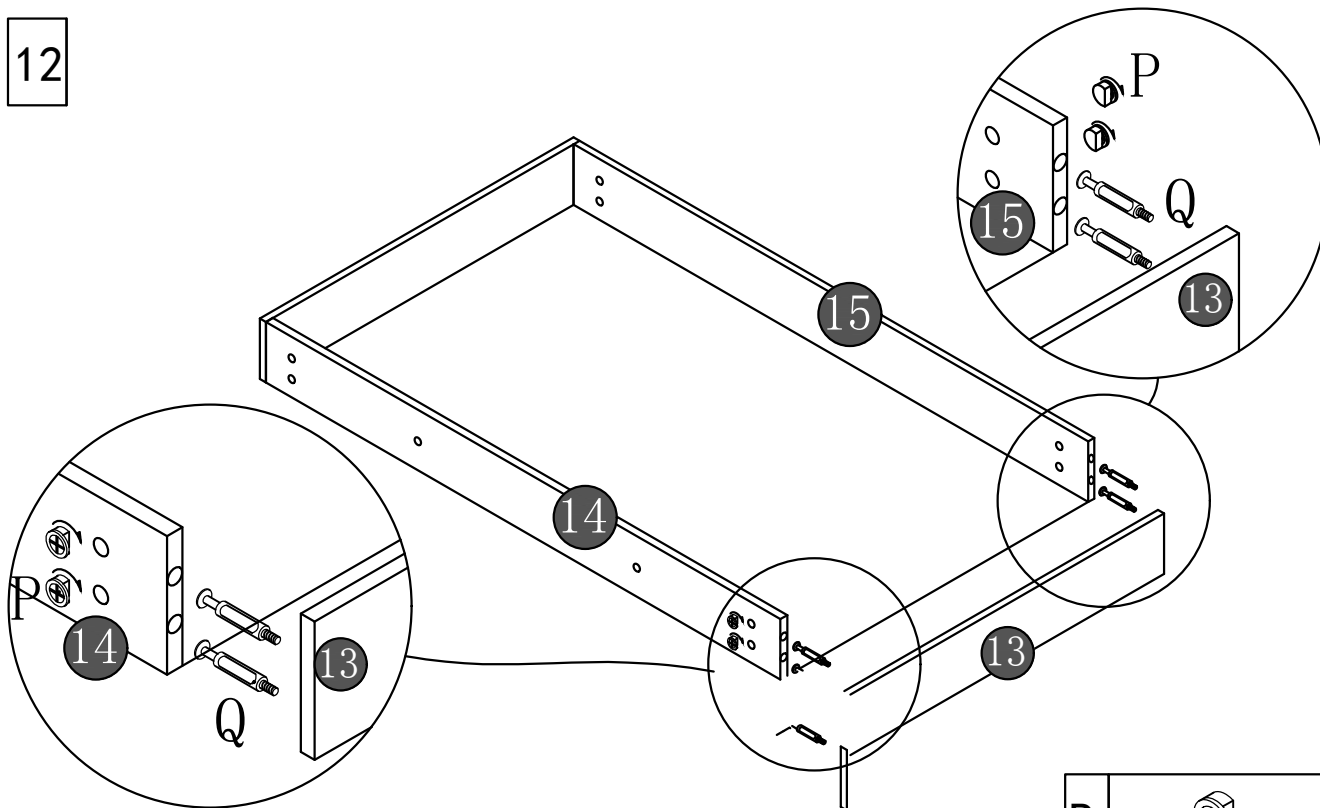
S		1
---	---	---


P		8
Q		8



11



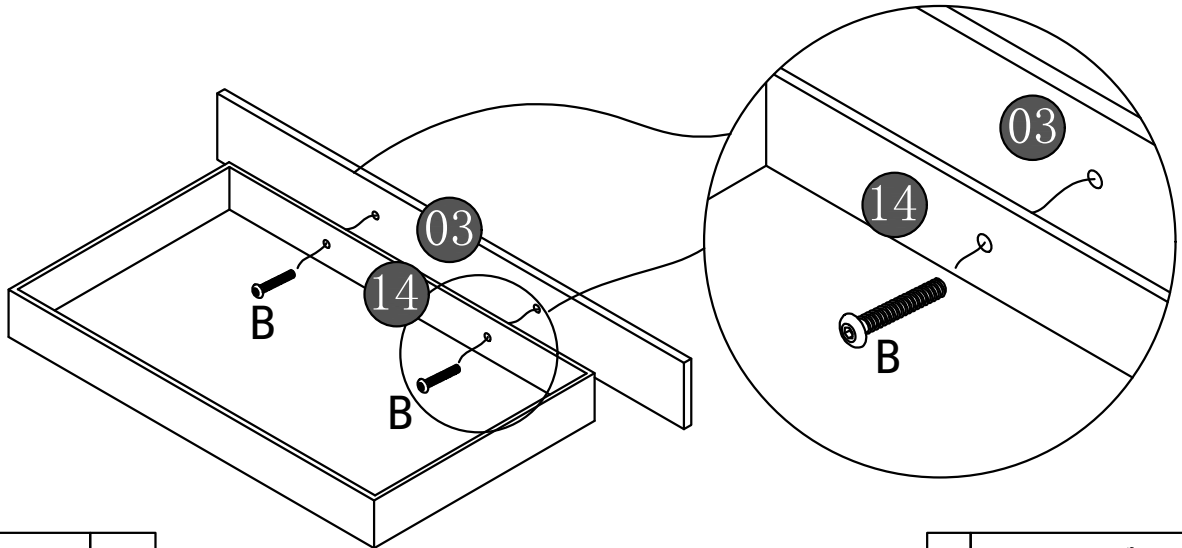
12





S		1
---	---	---

P		08
Q		08

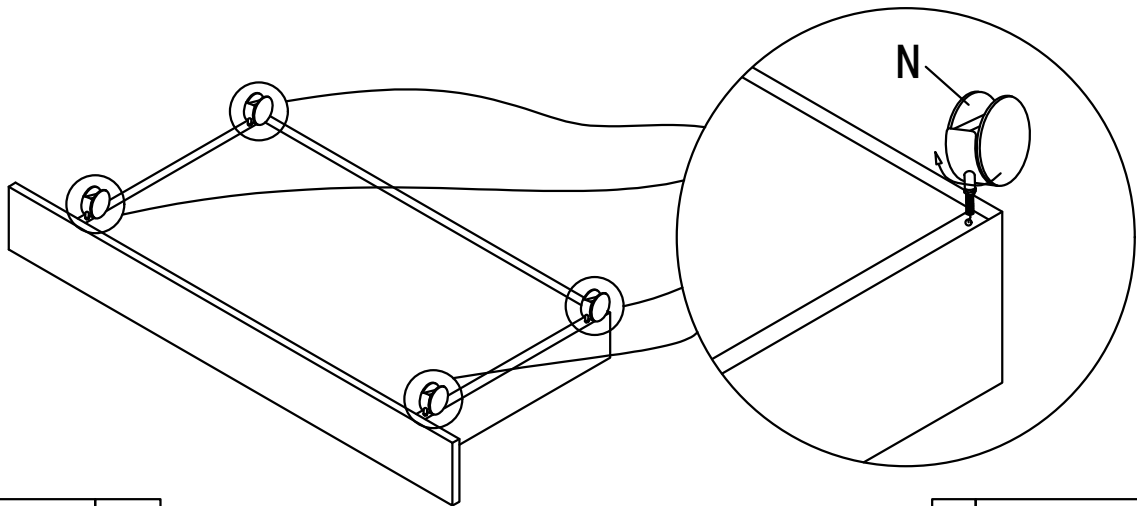
13

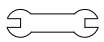



T		1
---	---	---

B		04	8*35
---	---	----	------

14



R		1
---	---	---

N		08	1.5
---	---	----	-----

15

