




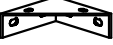
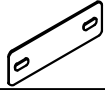

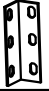



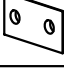




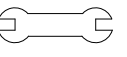
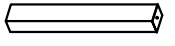
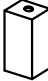
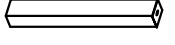


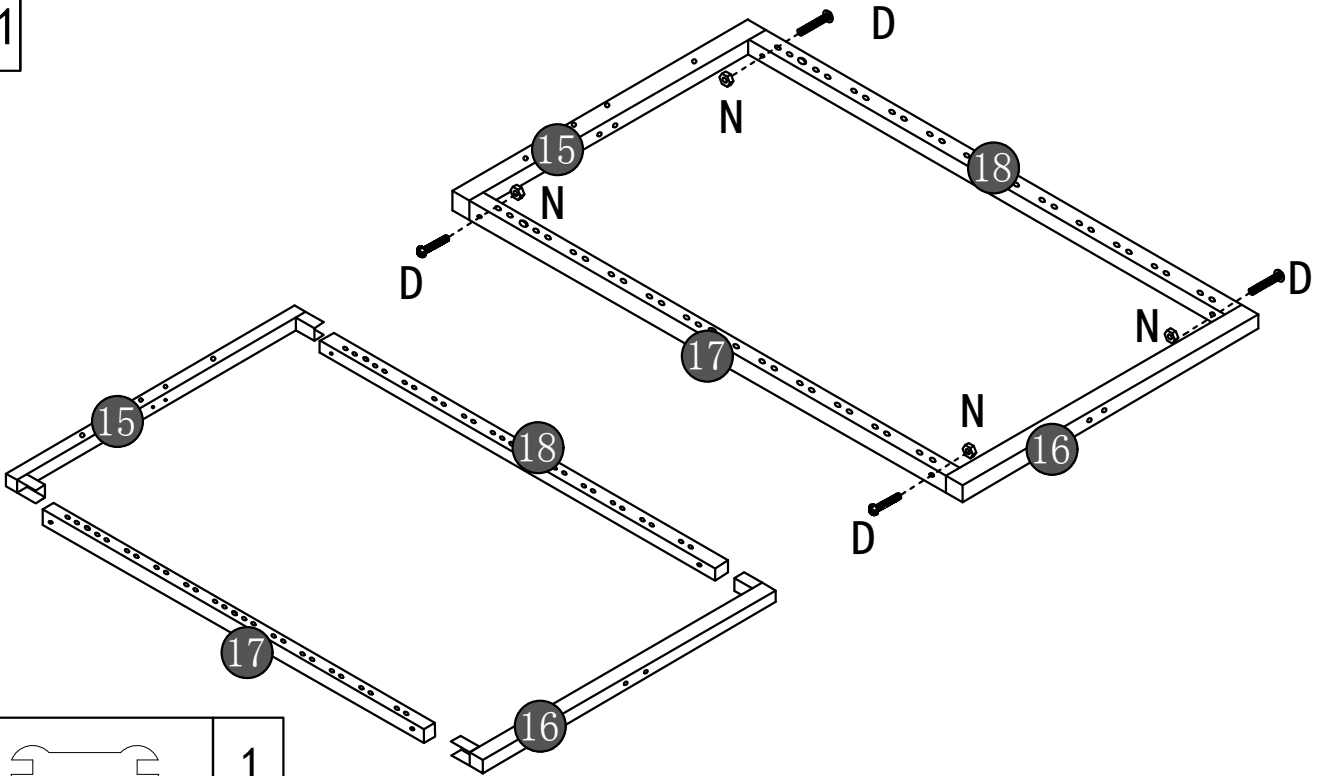


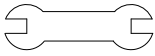

A	 8*20	40
B	 8*50	16
C	 8*40	10
D	 8*40	14
E	 3.5*20	12
F		2
G		2
H		6



I		2
J		2
K		2
L		2
M		2
N	 M8	20
O		12
P		1

Q		1
R		1
S	 21cm	2
T	 6.5cm	2
U	 20.5cm	2
V		2
W	 4cm	2

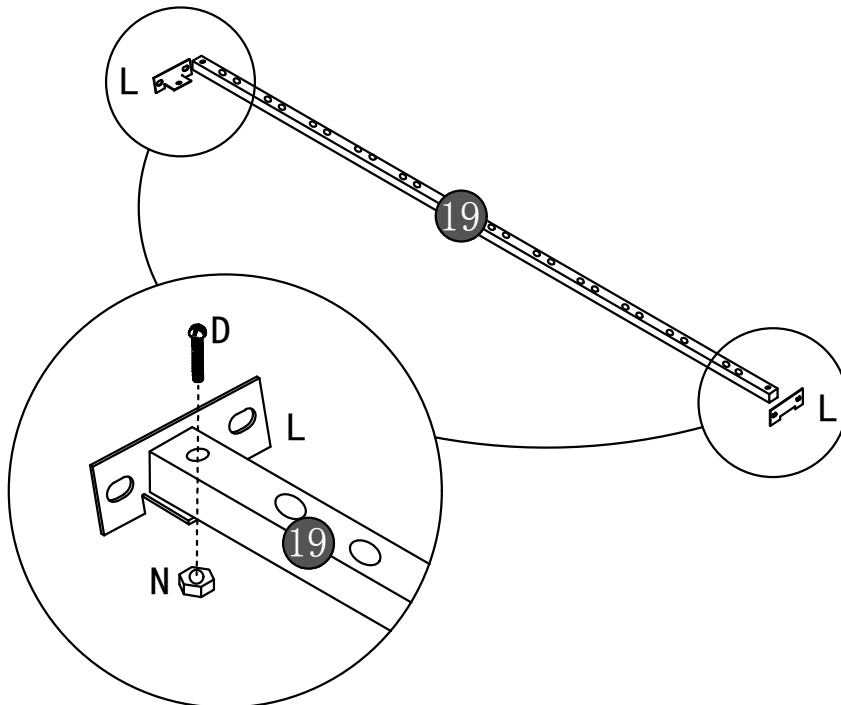
01

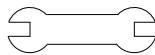






R		1
Q		1

N		M8	4	D		8*40	4
---	---	----	---	---	---	------	---

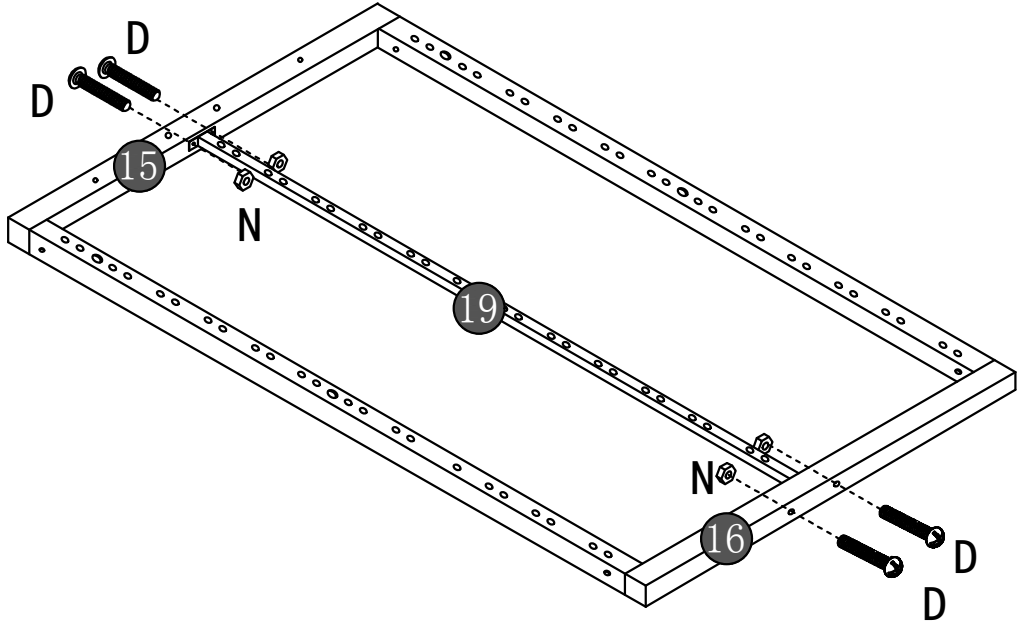
02

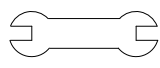





R		1
Q		1

N		M8	2	D		8*40	2
L			2				

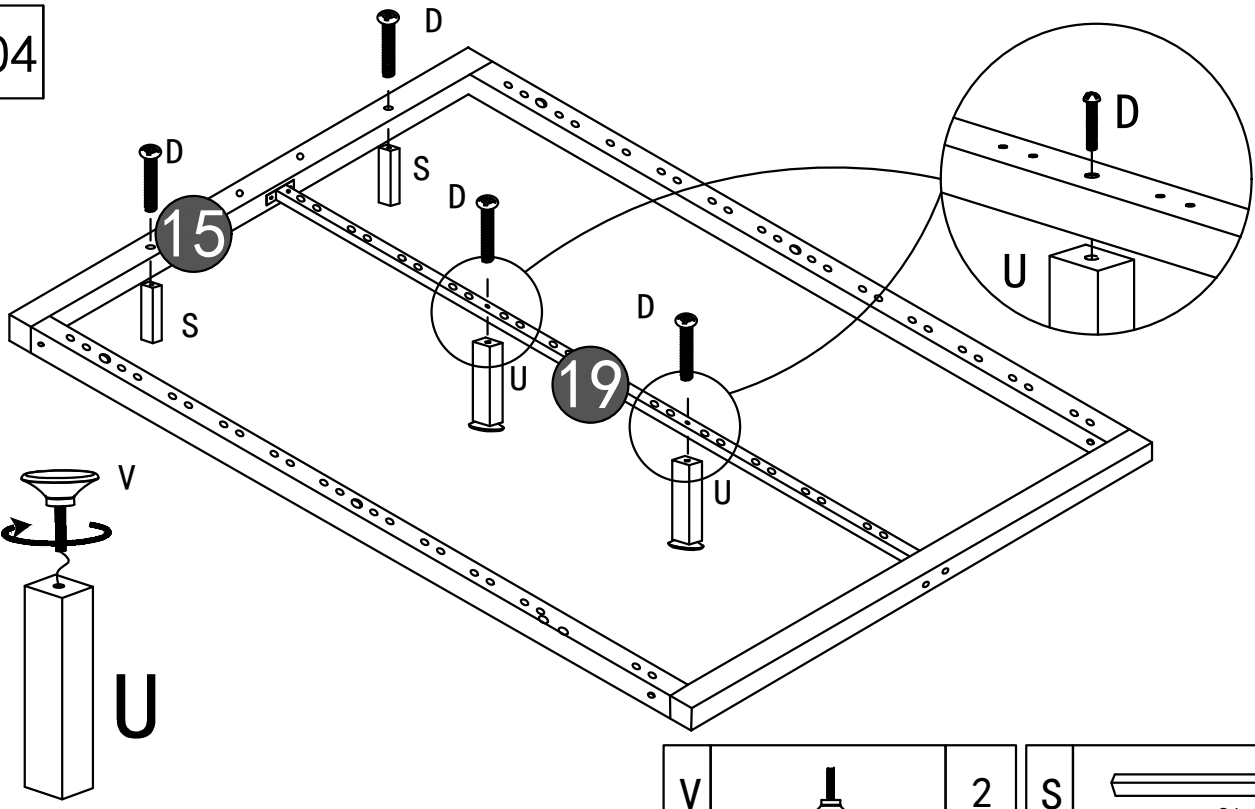
03






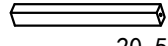

R		1
Q		1

N		M8	4	D		8*40	4
---	---	----	---	---	---	------	---

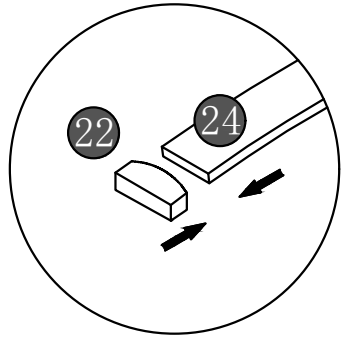
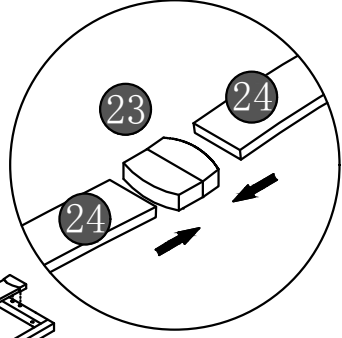
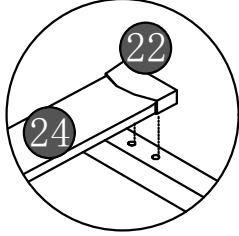
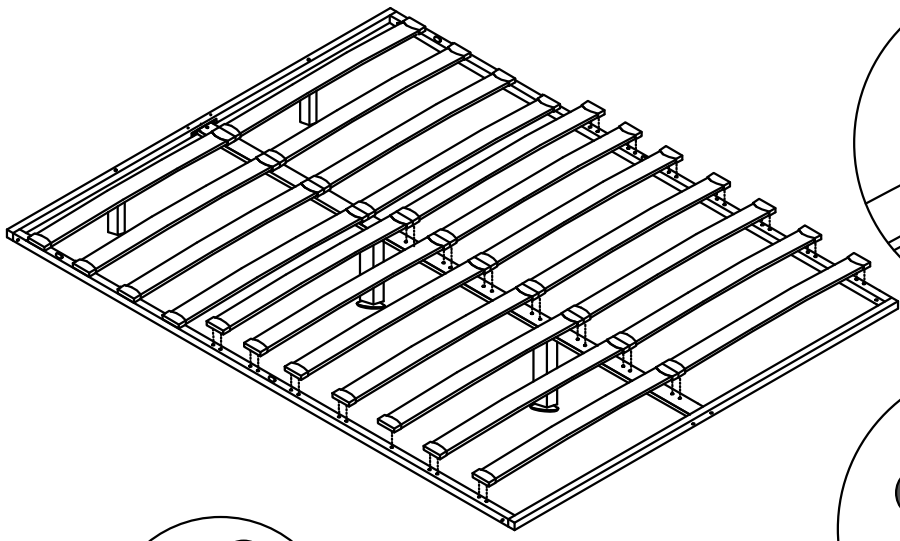
04



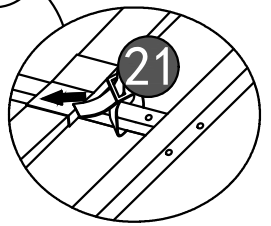
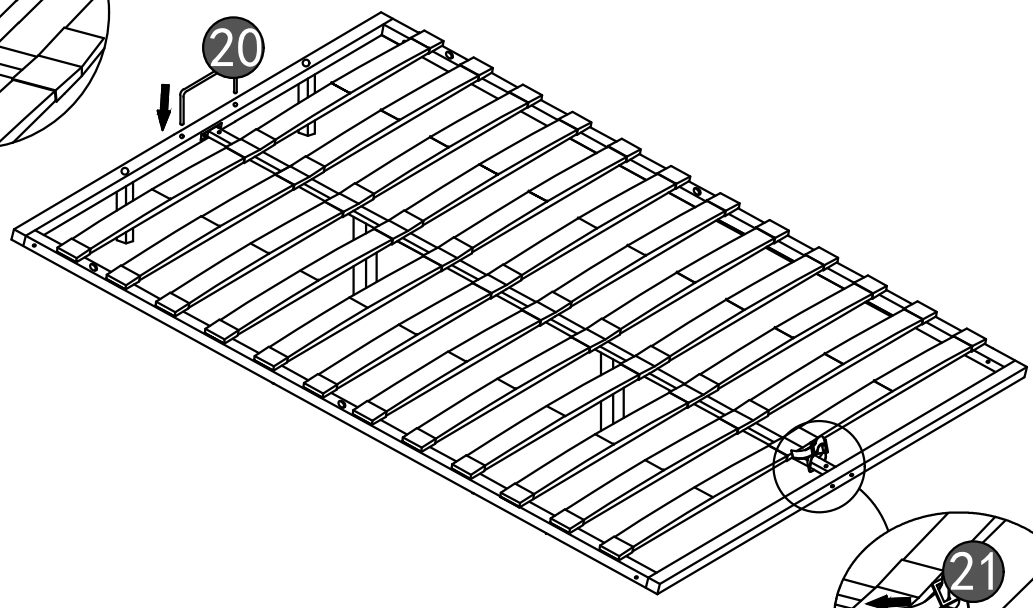
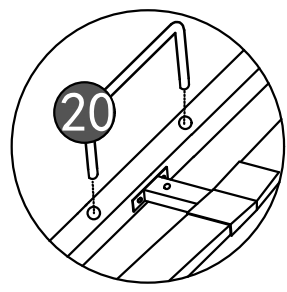
Q		1
---	---	---

V		2	S		21cm	2	
U		20.5cm	2	D		8*40	4

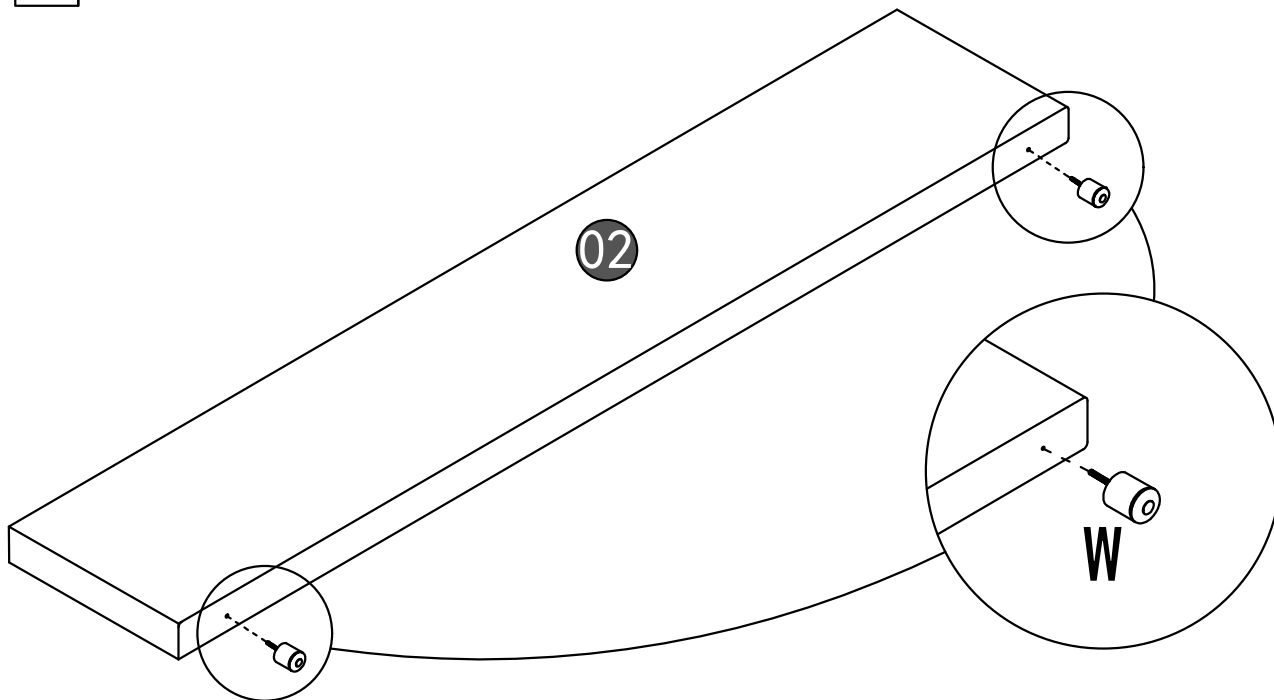
05



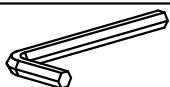
06



07



P



1

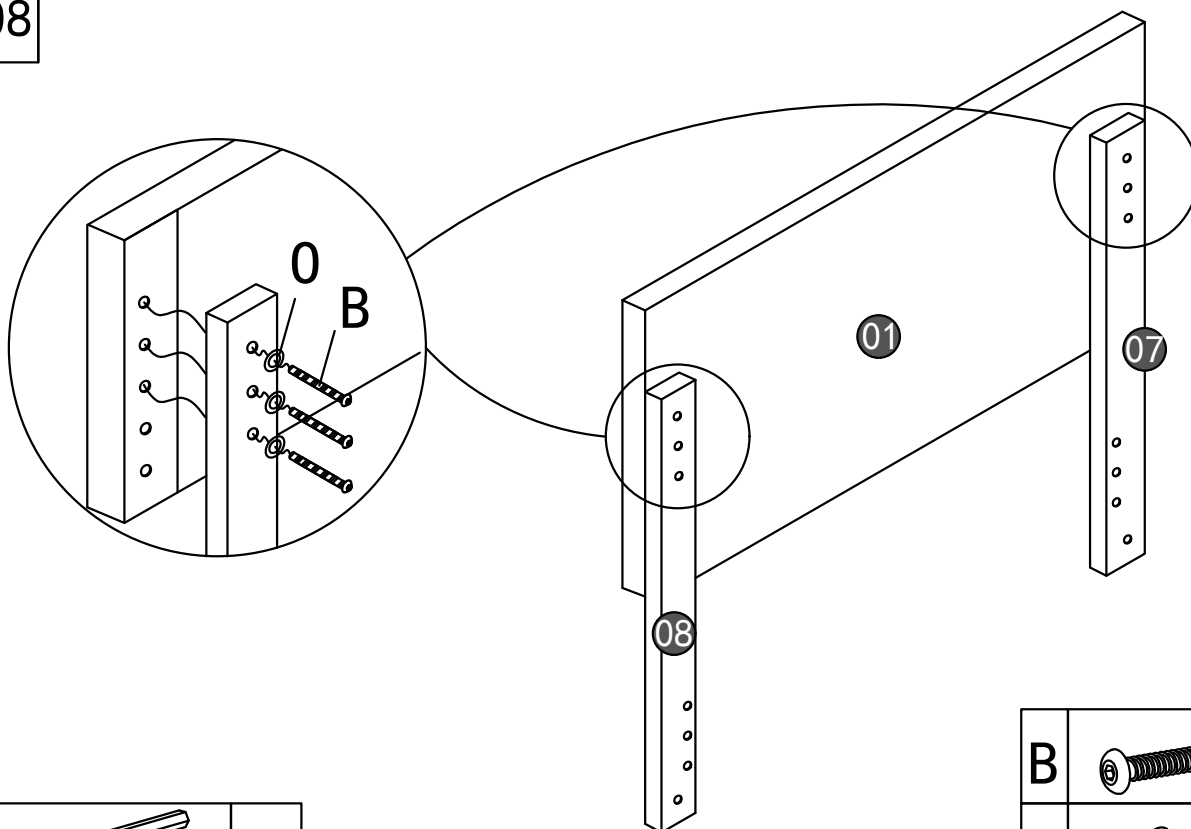
W



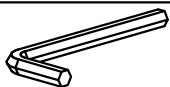
4cm

2

08



P



1

B



8*50

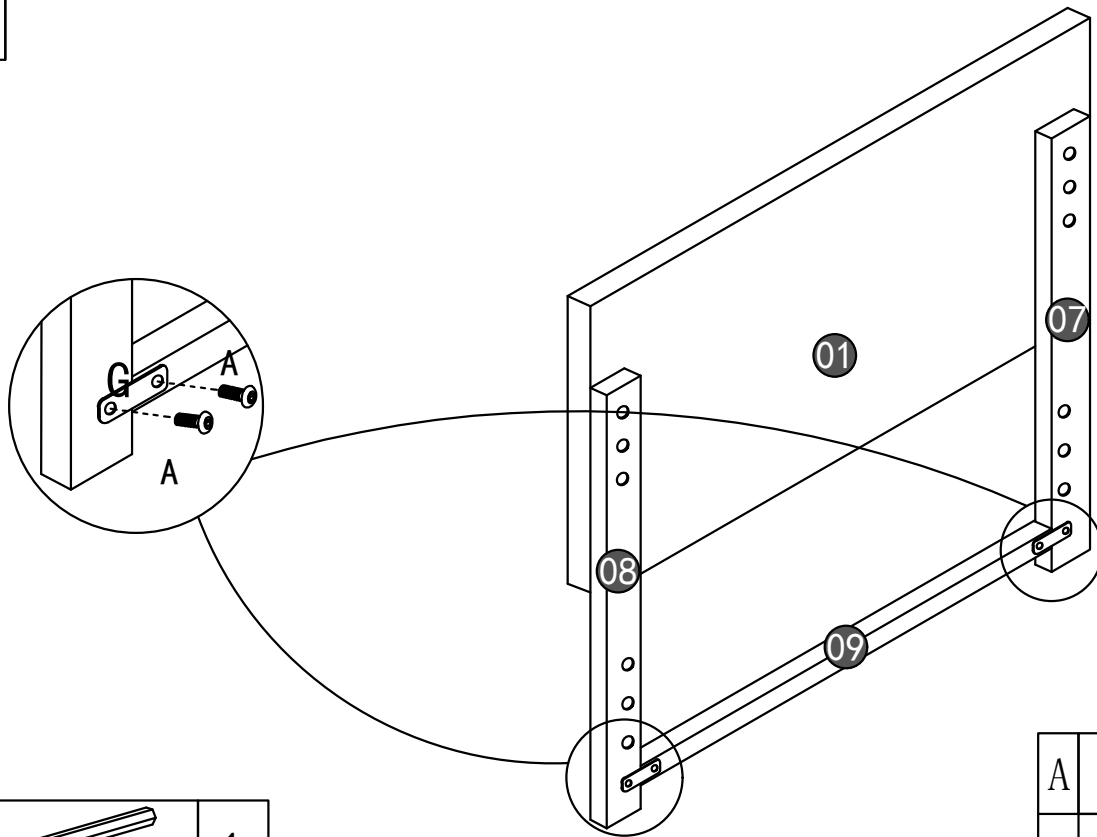
6

O



6

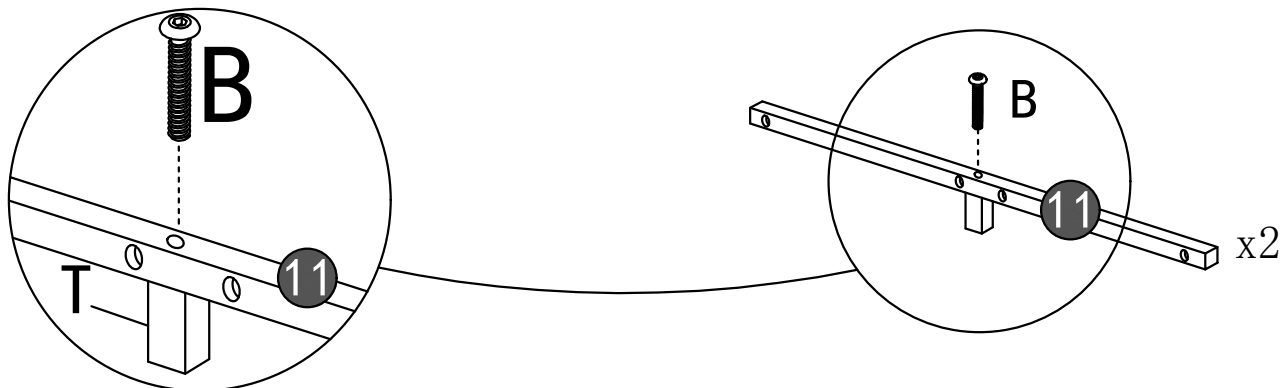
09



P		1
---	--	---

A		4
G		2

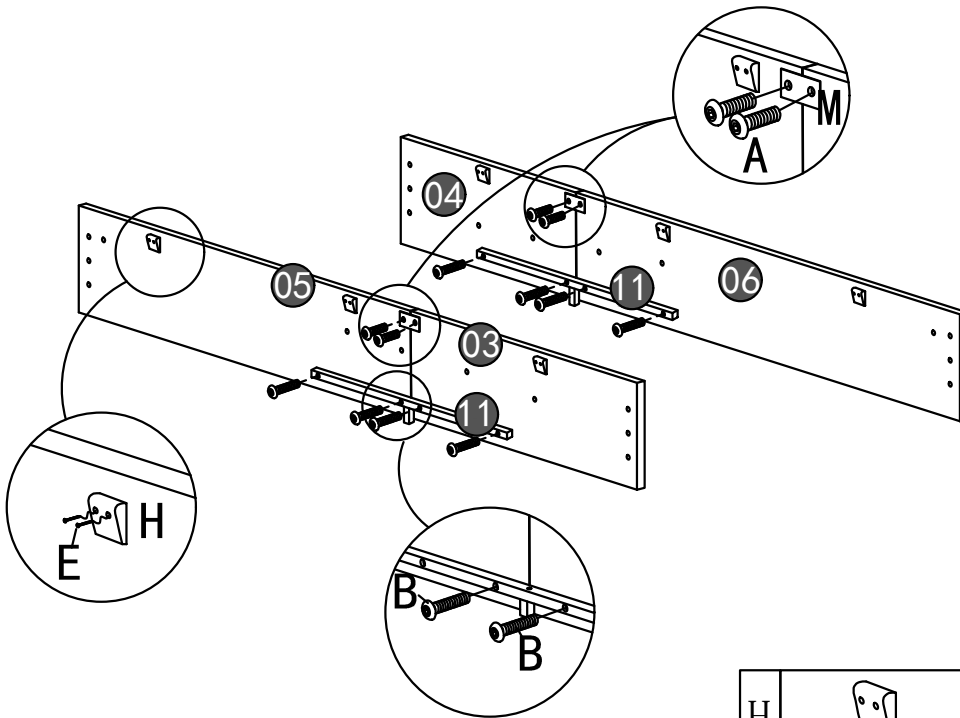
10



P		1
---	--	---

B		2	T		2
		8*50			6,5cm

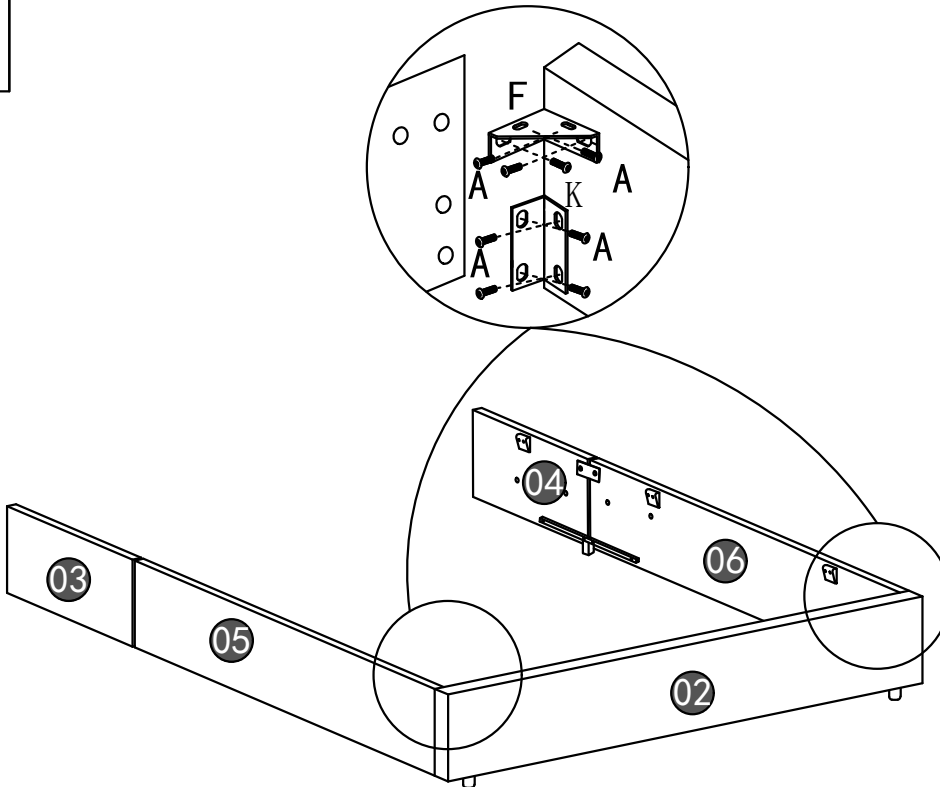
11



P		1	Q		1
---	--	---	---	--	---

			M		2
H		6	A		4
E		12	B		8

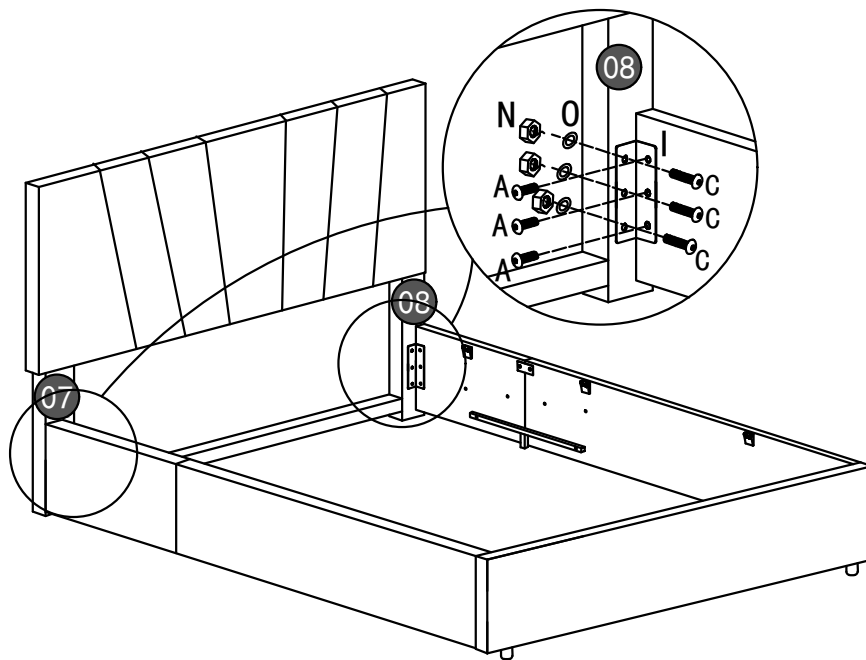
12

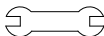





P		1
---	--	---




A		16
F		2
K		2

13

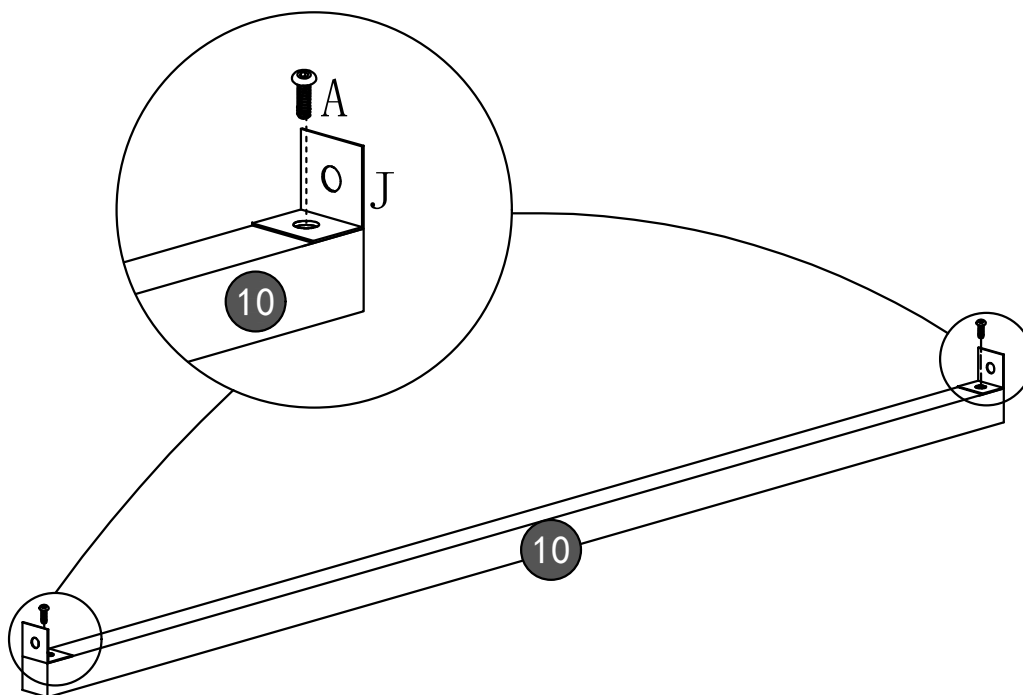


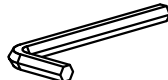
R		1
P		1



C		6	N		6
---	---	---	---	---	---

O		6
I		2
A		6

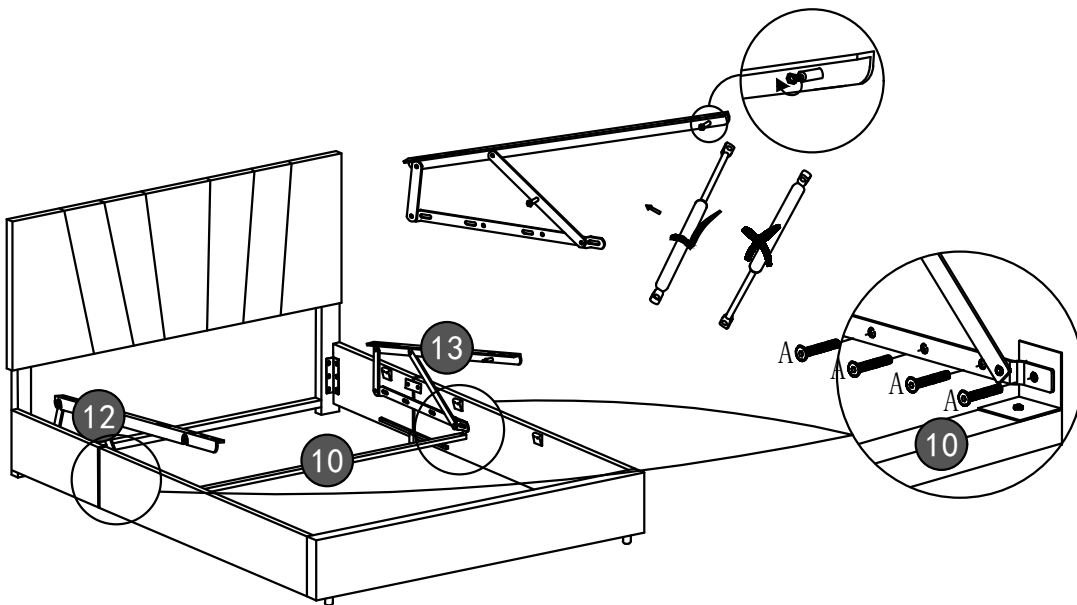
14



P		1
---	---	---

A		2
J		2

15



P



1

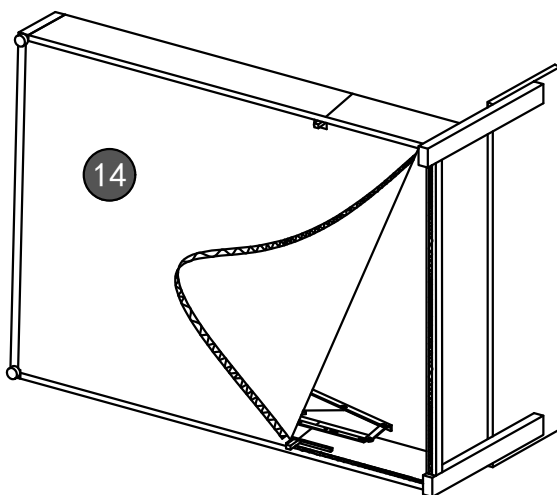
A



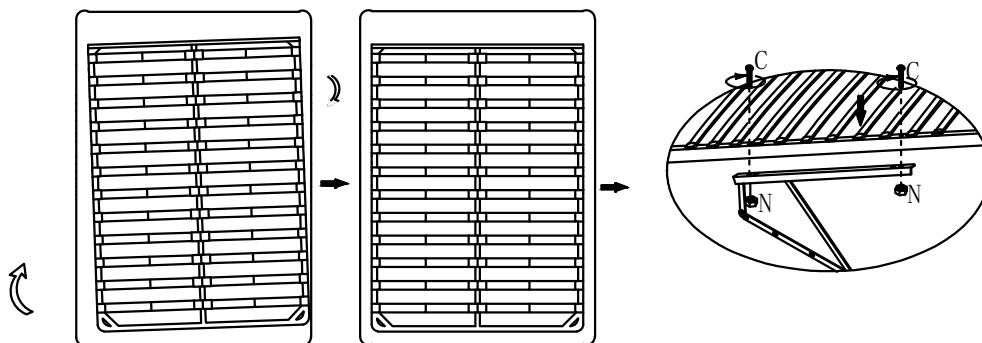
8*20

8

16



17



R



1

P



1

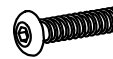
N



M8

4

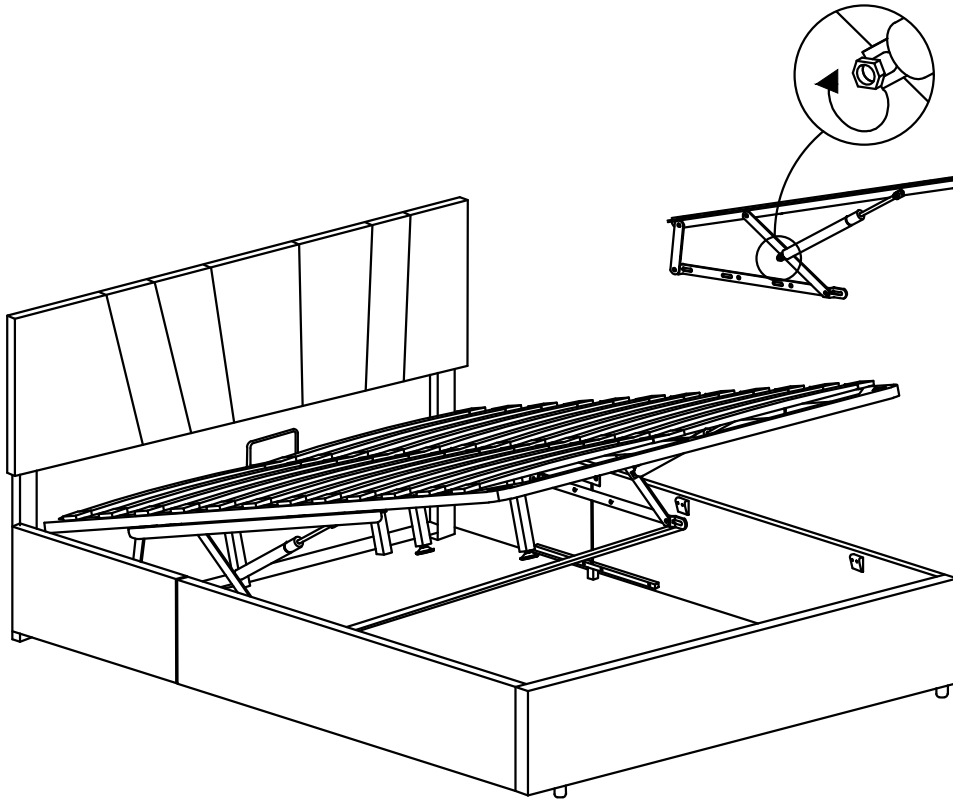
C



8*40

4

18



19

