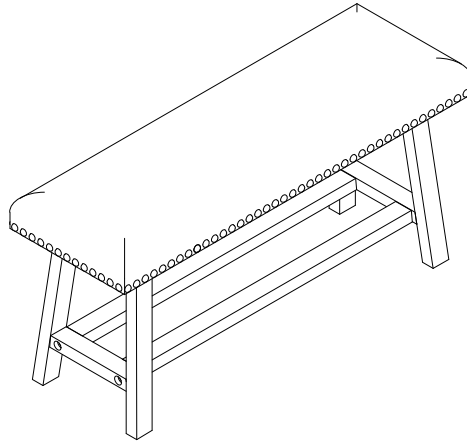

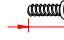
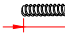


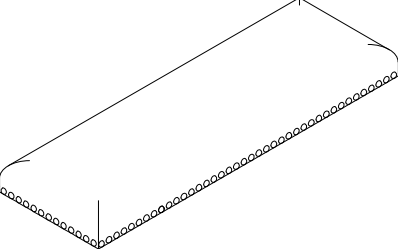
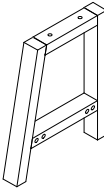



① ASSEMBLY INSTRUCTION

MODEL NO.HC5726



Components/QTY	Components/QTY	Components/QTY
A 8PCS  5/16*19MM	B 4PCS  5/16*1-1/2"	C 4PCS  5/16*2"
D 1PC  5/16*60MM	E 8PCS 	
① 1PC 	② 2PCS 	③ 2PCS  top bottom

