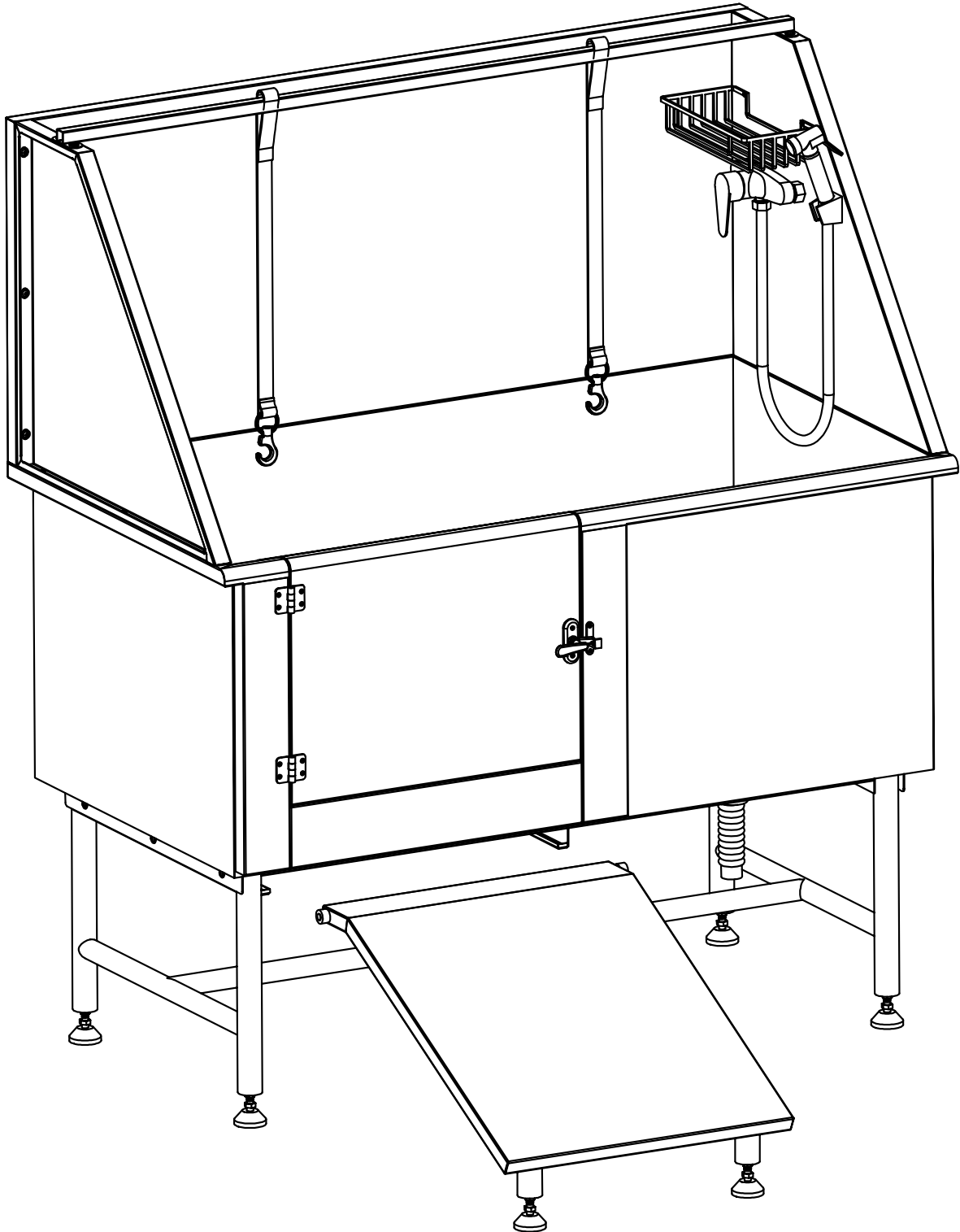
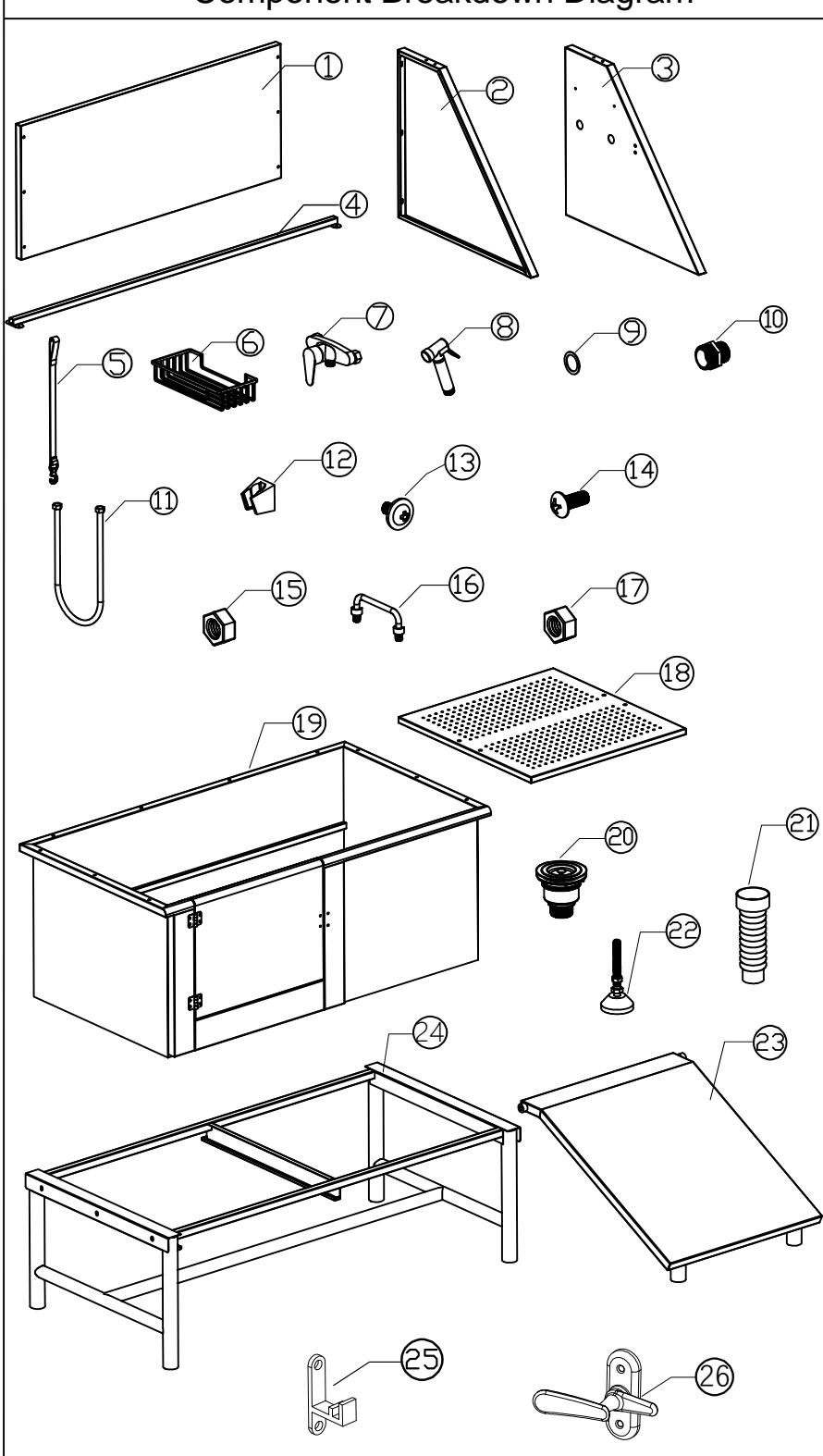


Pet Bathing Pool

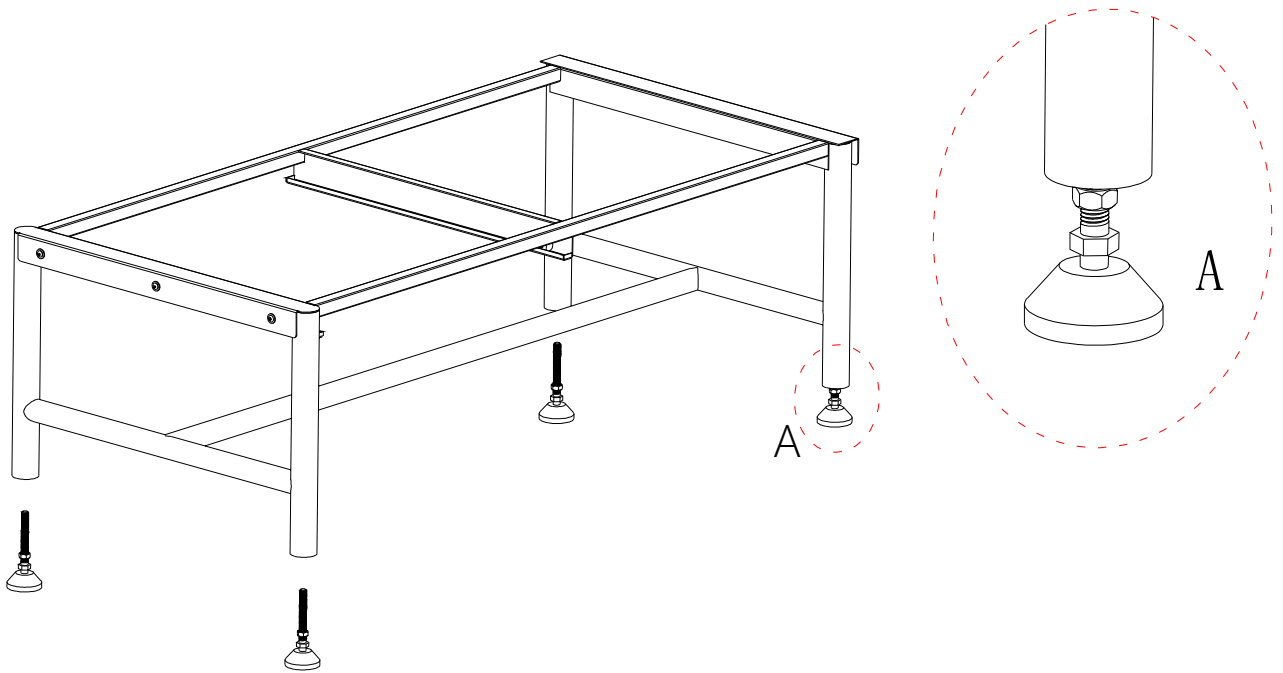
Installation Instructions



Product Component Diagram

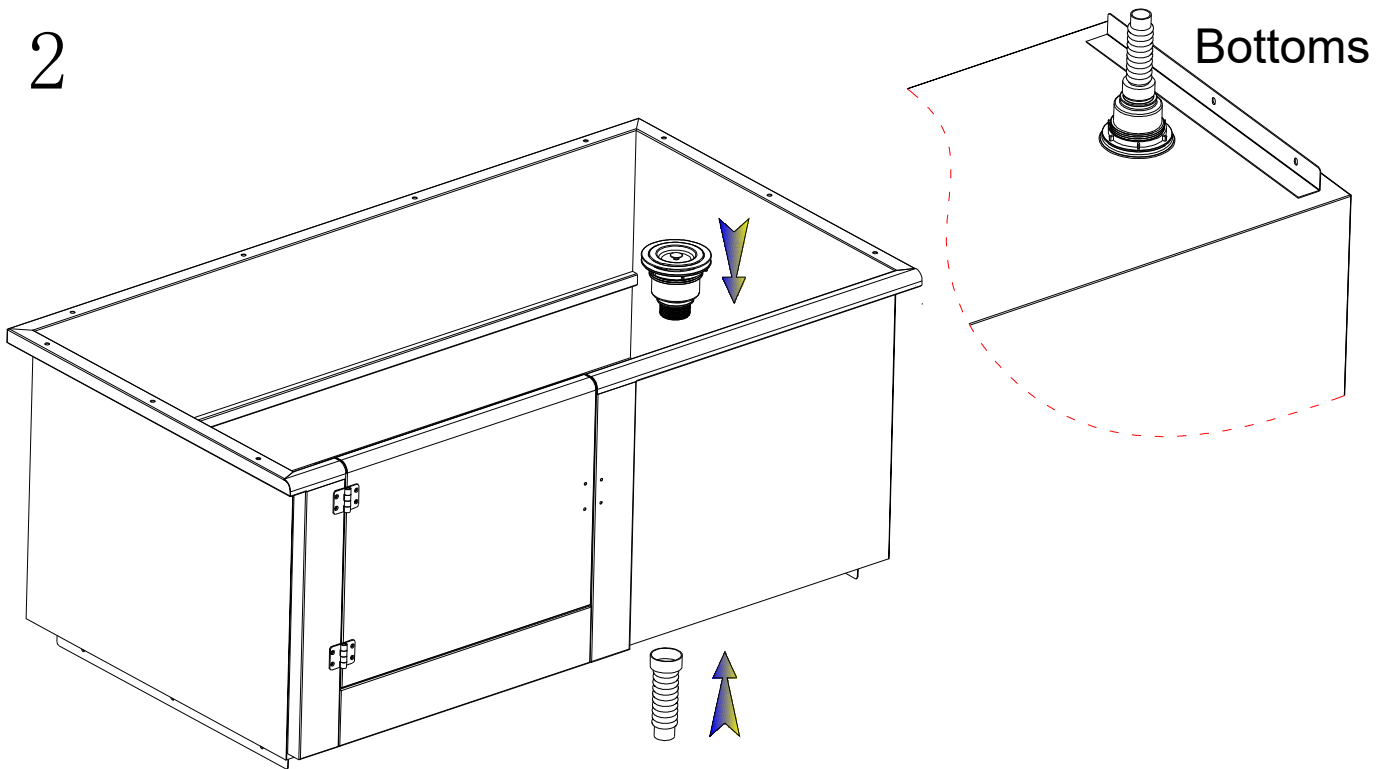
Name	Pet Bathing Pool	SKU	DBT527SS		
			Description of numbering		
			Number	Part Name	Quantities
			1	Backsplash	1
			2	Left side panel	1
			3	Right side panel	1
			4	Crossbar	1
			5	Dog rope	2
			6	Soap Shelf	1
			7	Switching valve	1
			8	Sprinkler head	1
			9	35MM Washers	2
			10	Copper fittings	2
			11	Shower hose	1
			12	Shower head holder	1
			13	M5 screws and spacers	26
			14	M4 Phillips screws	8
			15	M4 Nut	4
			16	Laminate handle	4
			17	M10 Laminate Handle Nut	8
			18	Laminate	2
			19	Cabinet	1
			20	Drainage outlet	1
			21	Waste pipe	1
			22	Adjustable feet	6
			23	Pedal	1
			24	Bottom frame	1
			25	Door latch	1
			26	Doorknob	1

1



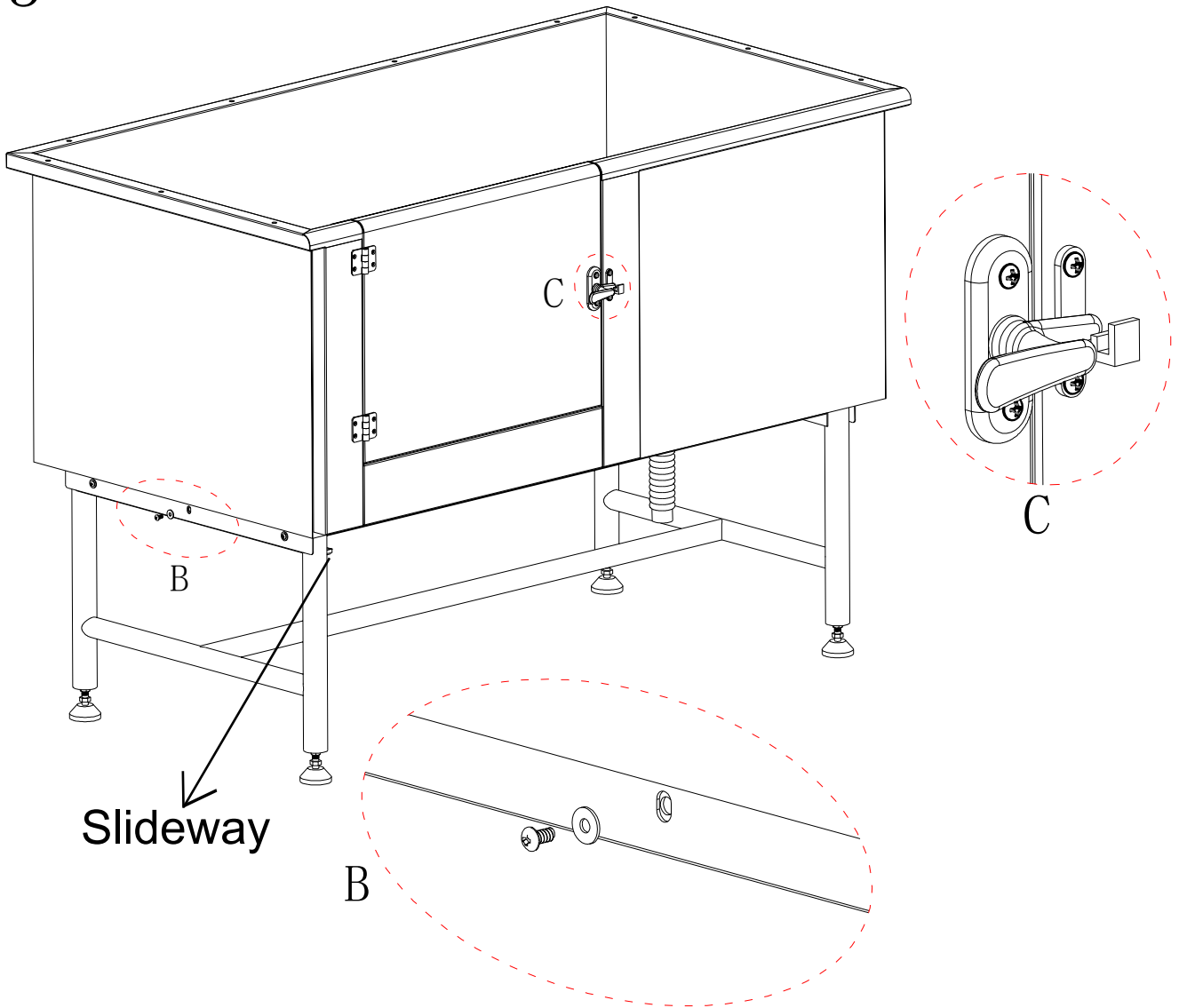
Step 1: Screw the adjusting feet into the frame legs and adjust the 4 feet for balance, then turn the nuts until they are torqued.

2



Step 2: Install the drain and drain hose into the box and tighten.

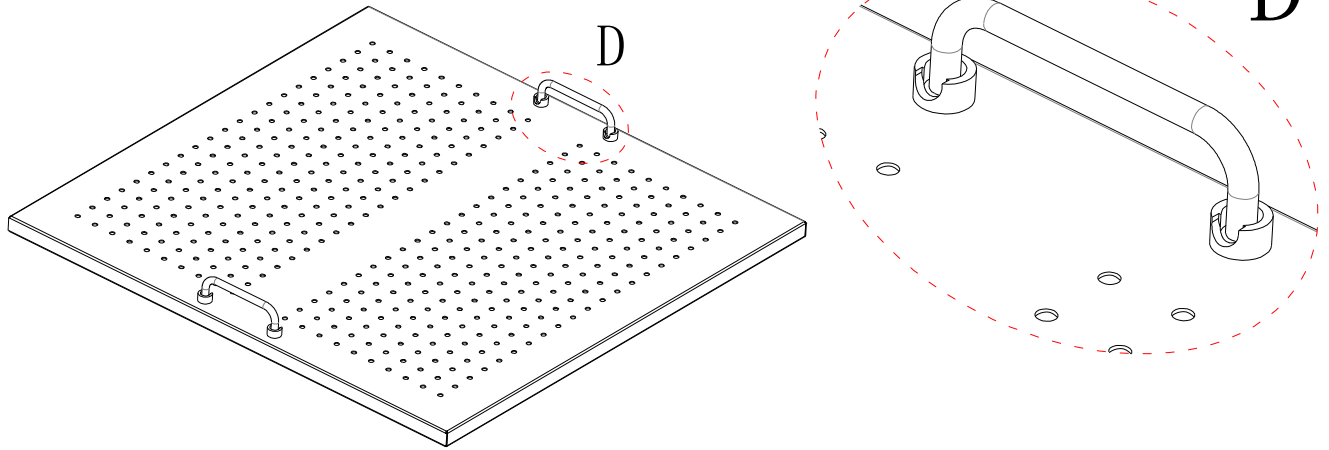
3



Note: The bottom frame has a slide groove on one side, which is used to install a foot pedal to facilitate pets to go up and down, when the box and the frame are installed, the slide groove should be on the same side as the door, please pay attention to the direction of the installation to avoid installation errors.

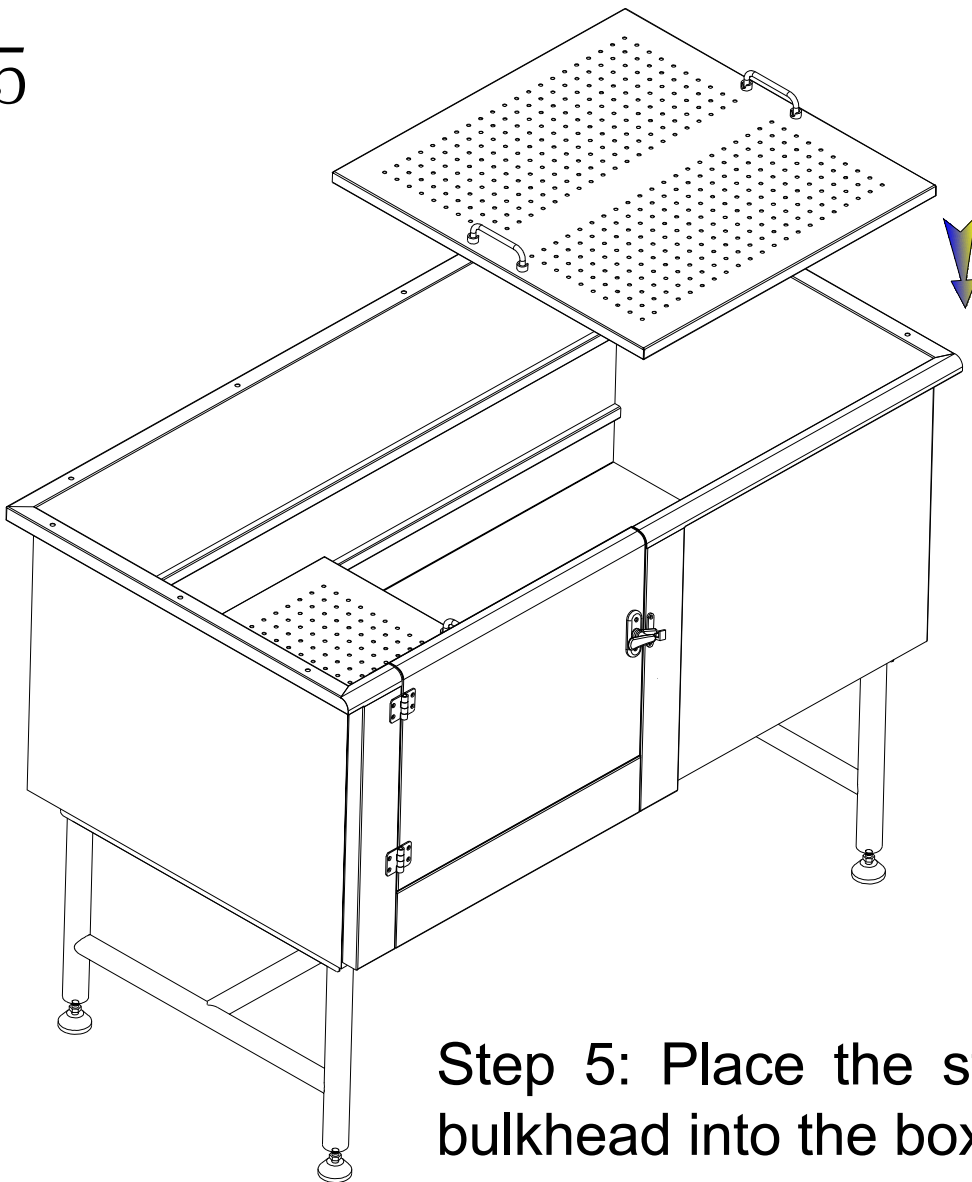
Step 3: Tighten the box and bottom frame from the left and right sides with M5 round head screws and spacers, then install the door pulls and buckles with M4 Phillips screws.

4



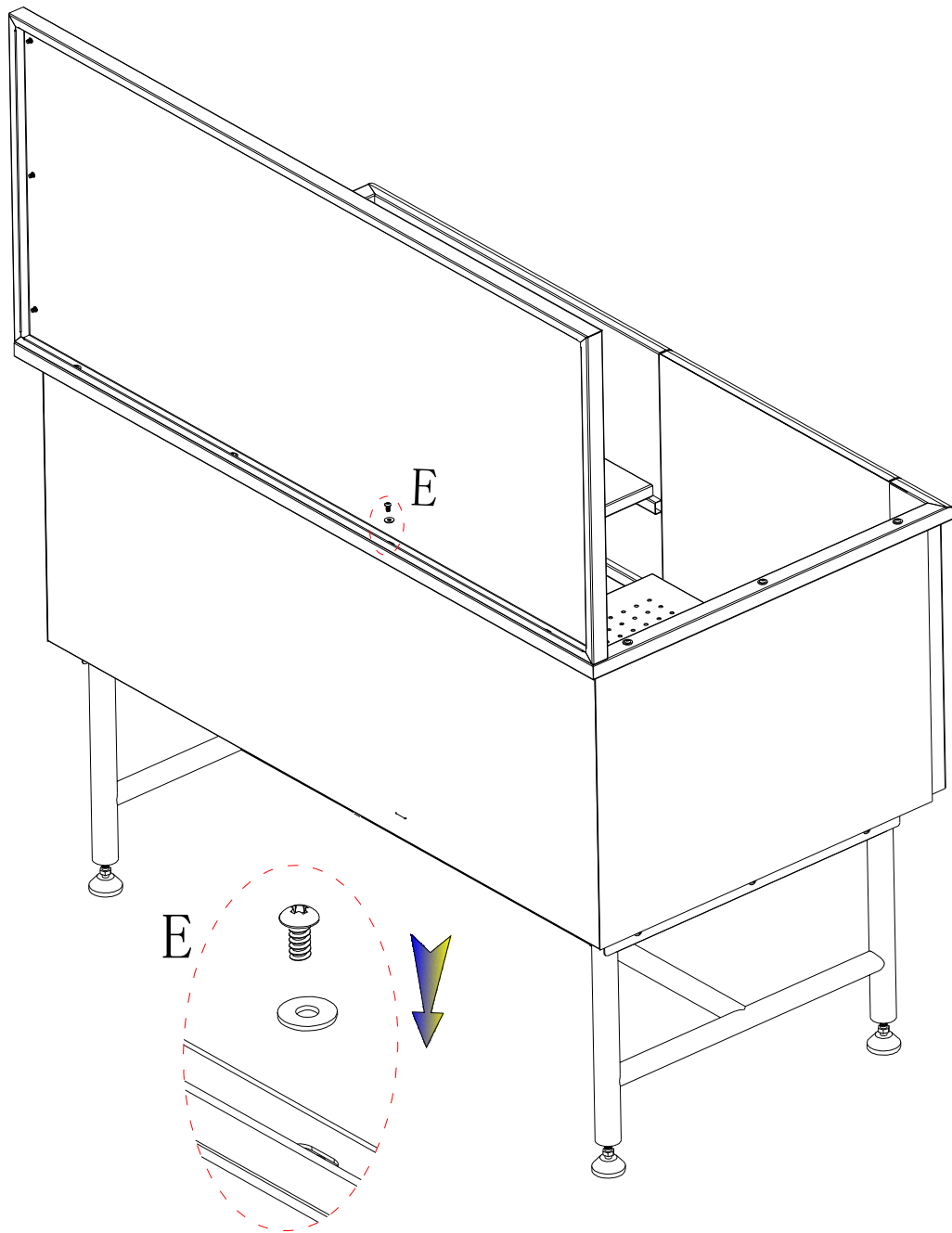
Step 4: Install the bulkhead puller and tighten from the bottom with M10 nuts.

5



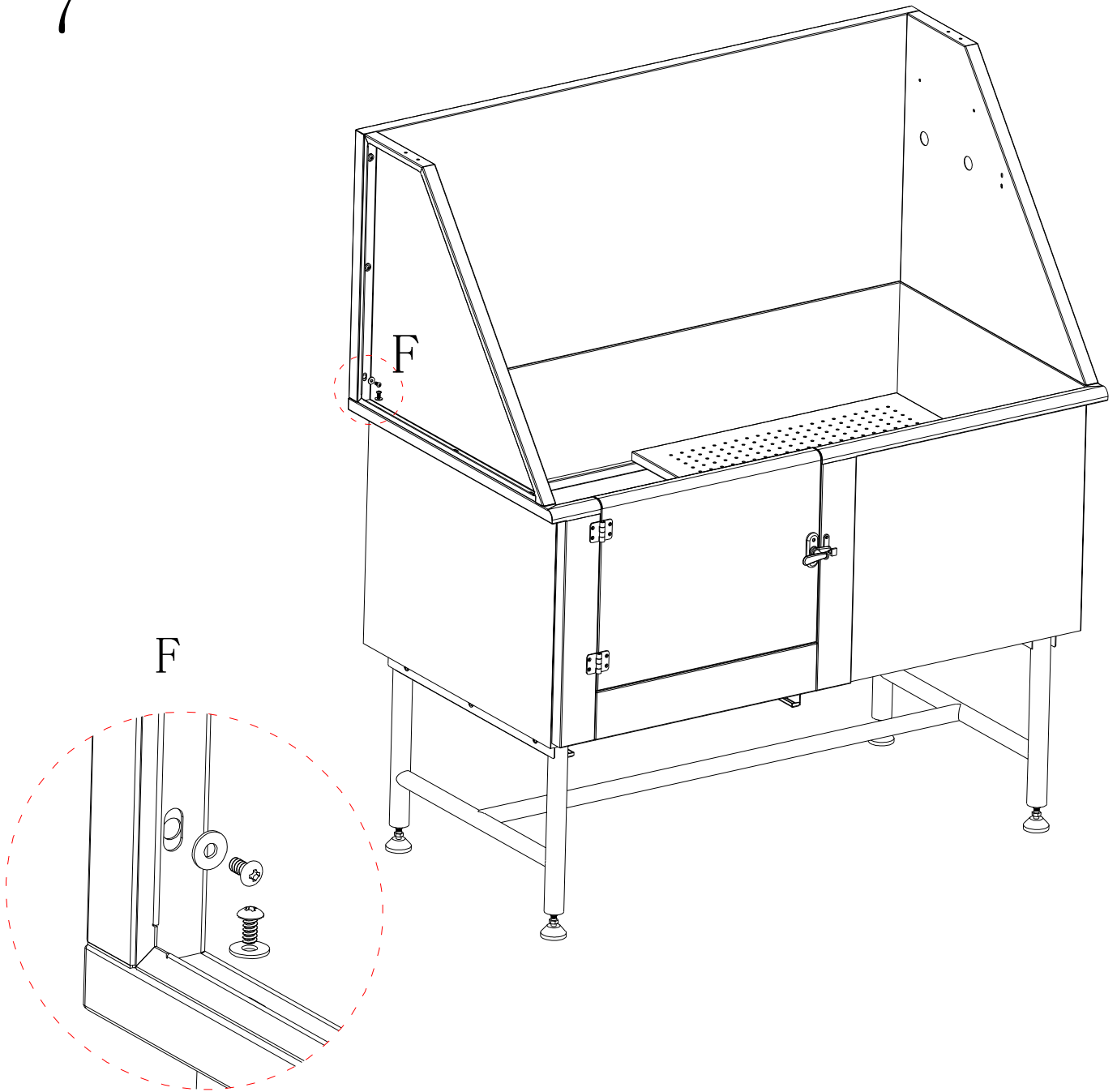
Step 5: Place the stainless steel bulkhead into the box.

6



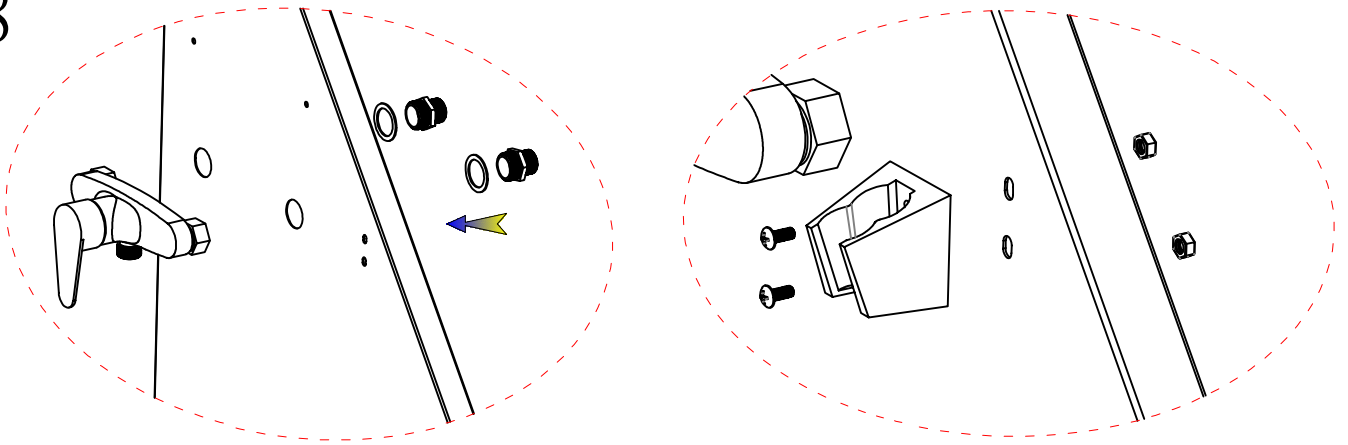
Step 6: When installing the rear bezel, note that the back of the bezel is slightly secured with M5 screws and spacers, but do not tighten.

7



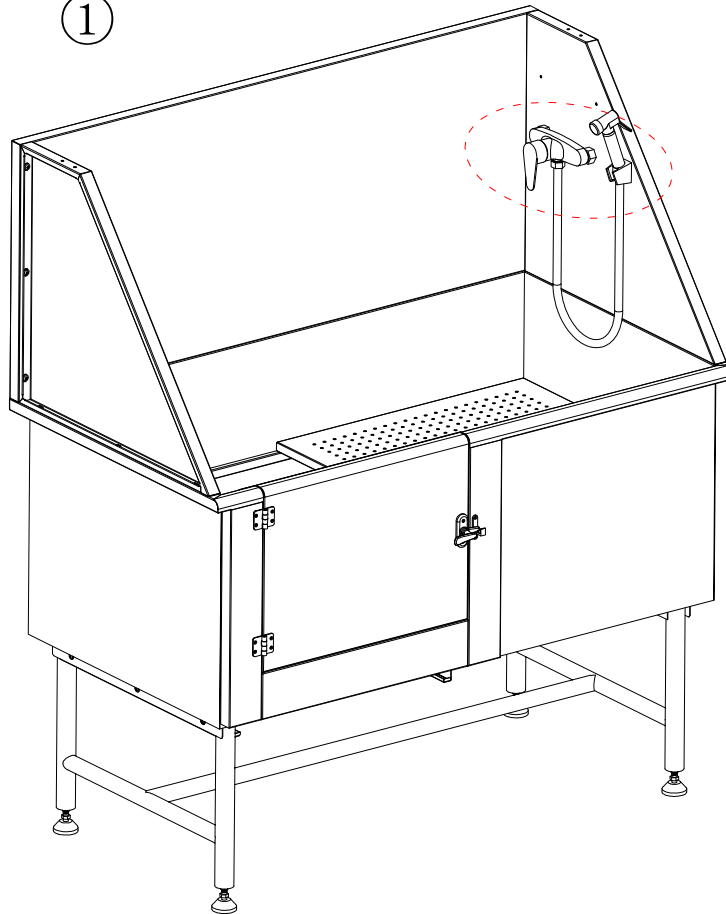
Step 7: Install the left and right baffles with M5 screws and spacers, the bottom edge is fixed to the box and the back edge is fixed to the baffle, all the screws are fixed slightly first to make sure the positions are all aligned before tightening.

8



①

②

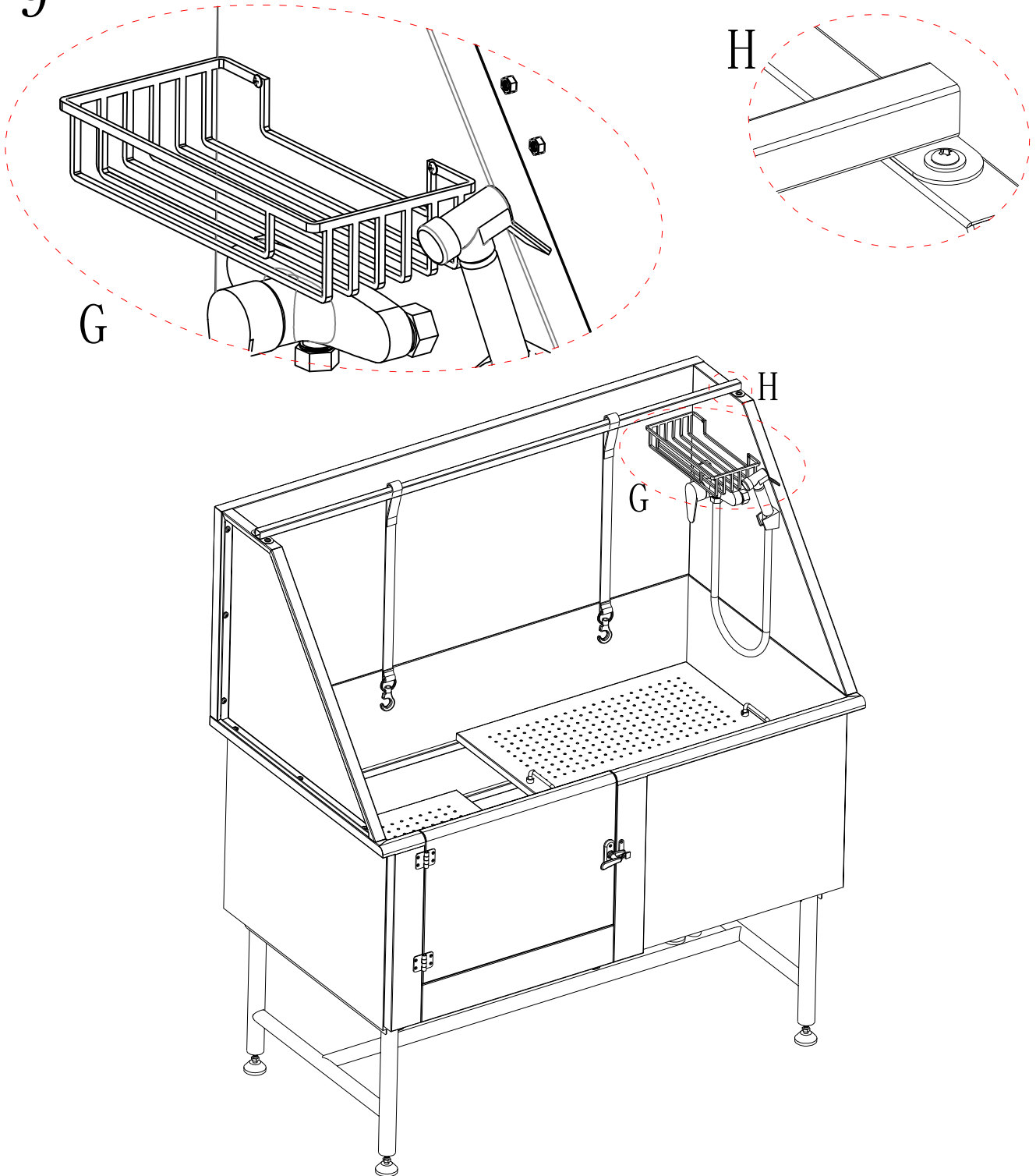


Step 8: Install the on/off valve by running a brass fitting through the right side panel hole, along with a 35mm stainless steel gasket, and tightening the on/off valve nut on the other side.

Step 9: Install the shower support bracket and fix the base to the side panel with M4 Phillips round head screws and M4 nuts.

Step 10: Install the on/off valve to gun connection tube and place the gun on the base.

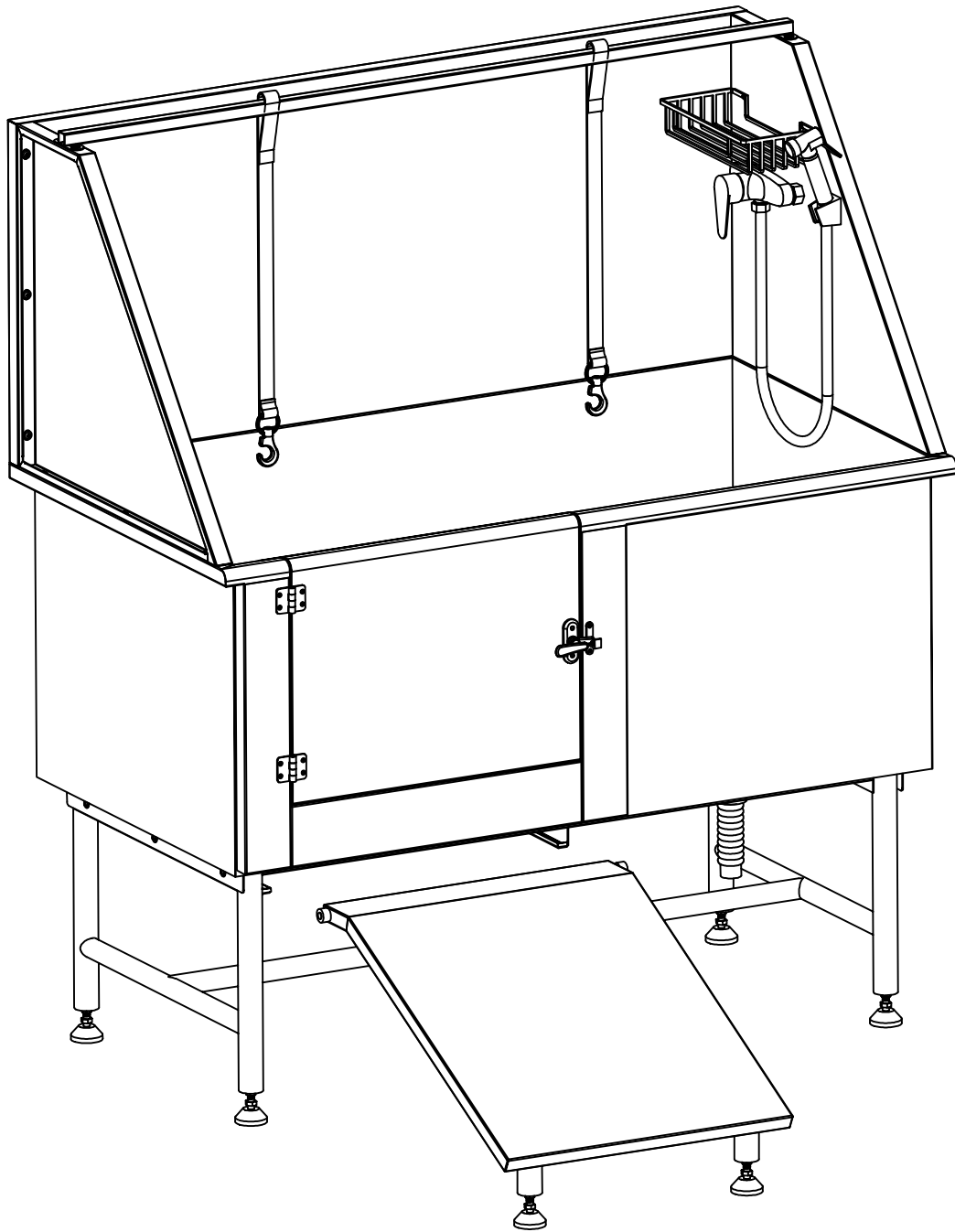
9



Step 11: Install the soap holder, use M4 screws with nuts to fix the soap holder on the side panel.

Step 12: To install the crossbar, attach the dog leash to the crossbar, then secure the ends of the crossbar to the side panels with M5 Phillips screws and stainless steel spacers.

10



Step 13: To install the pedal, first screw the two feet of the pedal on the adjusting feet and adjust the balance, then push the pulleys on the left and right side of the pedal into the slide rail track on the bottom frame, push the pedal into the bottom frame, and you can pull out the pedal when you use it.

Installation complete!