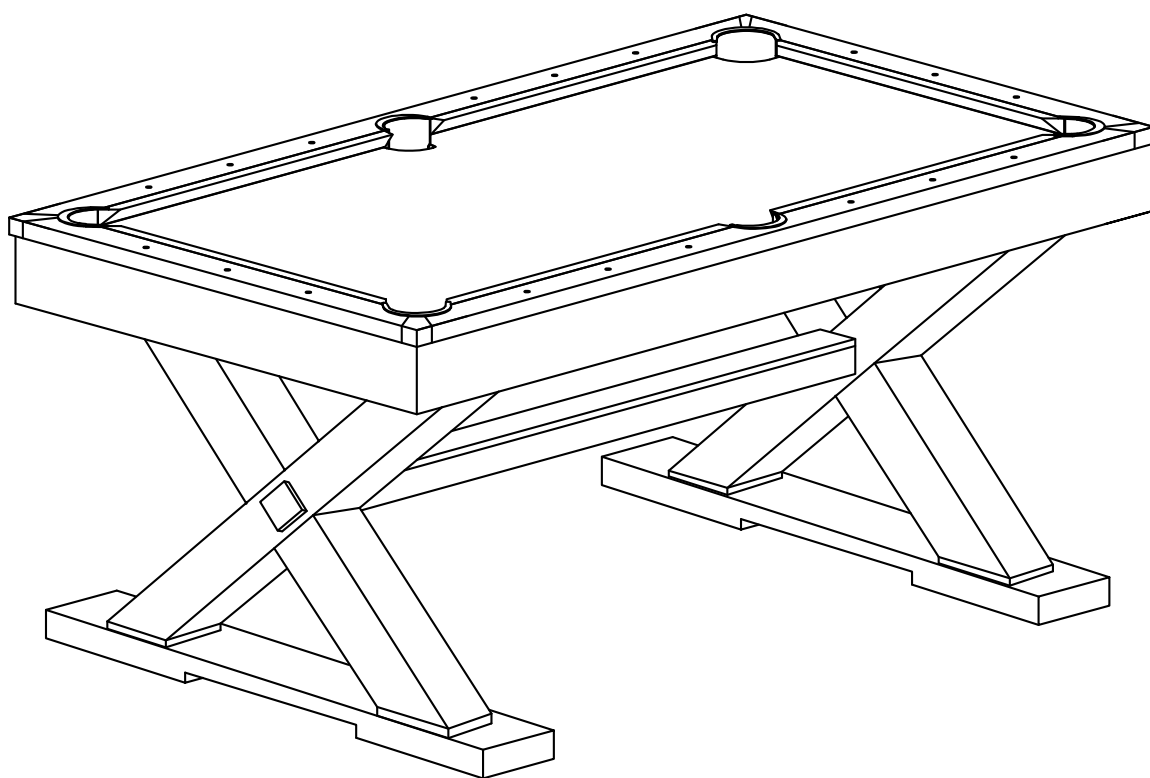


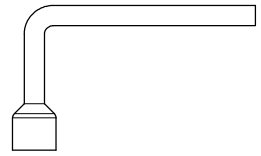
TABLE BILLIARD



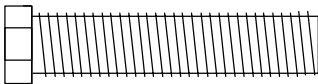
Screw Accessory Code



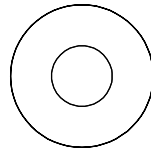
H1 - 8mm x 130mm Hex Head Bolt
(4 pcs)



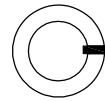
T1 - Socket Head Wrench
(1 pc)



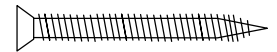
H2 - 8mm x 40mm
Hex Head Bolt
(20 pcs)



H3 - M8 Flat Washer
(24 pcs)

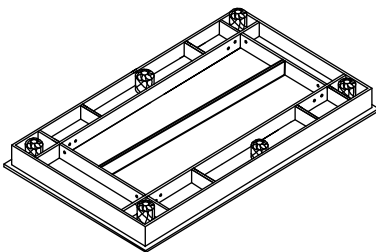


H4 - M8 Lock Washer
(24 pcs)

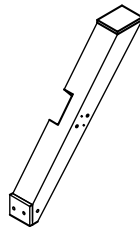


H5 - 3.5mm x 35mm
Phillips Flat Head Screw
(14 pcs)

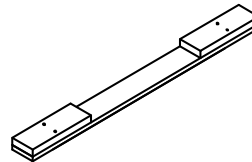
Major Component Codes



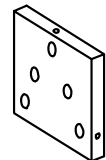
P1 - Main Cabinet
(1 pc)



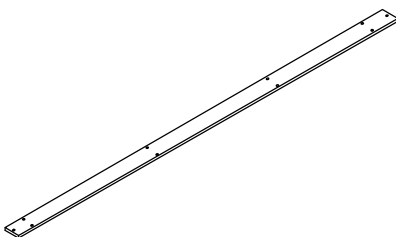
P2 -Left Leg
(2 pcs)



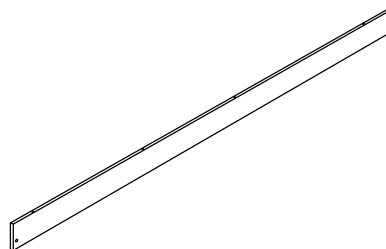
P3 - Leg Base
(2 pcs)



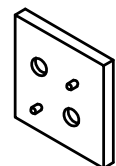
P4 -End Block
(2 pcs)



P5 -Top Panel of Lower
Center Support Beam
(1pc)

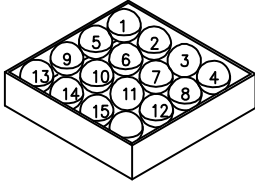


P6 -Side Panel of Lower
Center Support Beam
(2pcs)

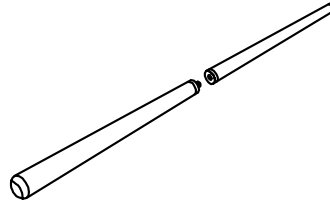


P7
(2 pcs)

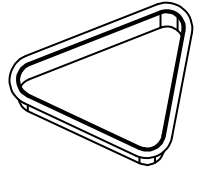
Other Accessory Codes



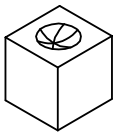
A1 - Billiard Ball Set
(1 pc)



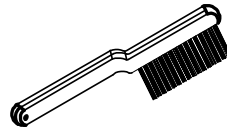
A2 - Pool Cue
(2 pcs)



A3 - Triangle
(1 pc)



A4 - Cue Chalk
(2 pcs)



A5 - Playfield Brush
(1 pc)

As shown in FIGURE 1.

FIG. 1

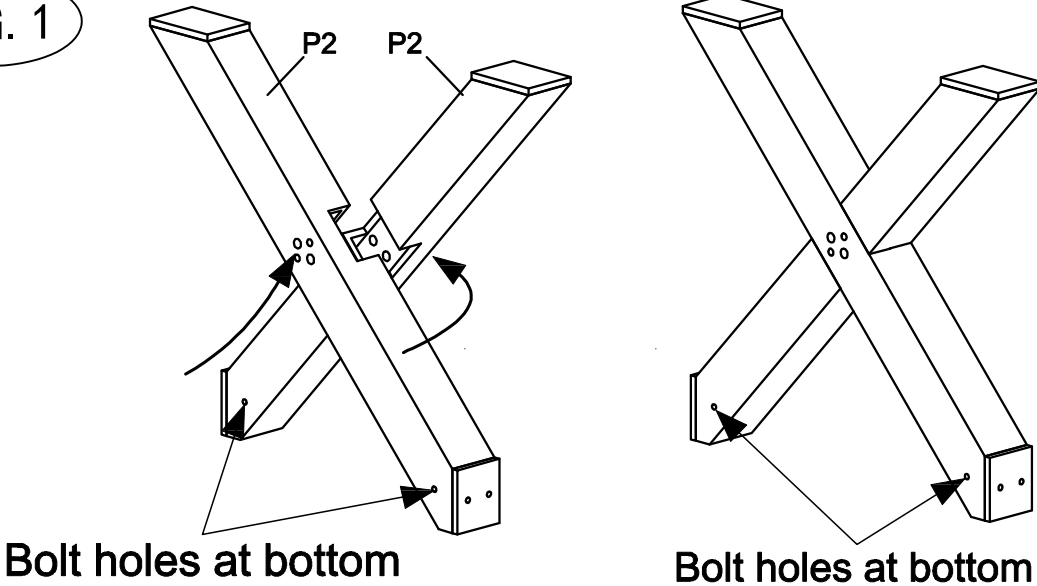


FIG. 2

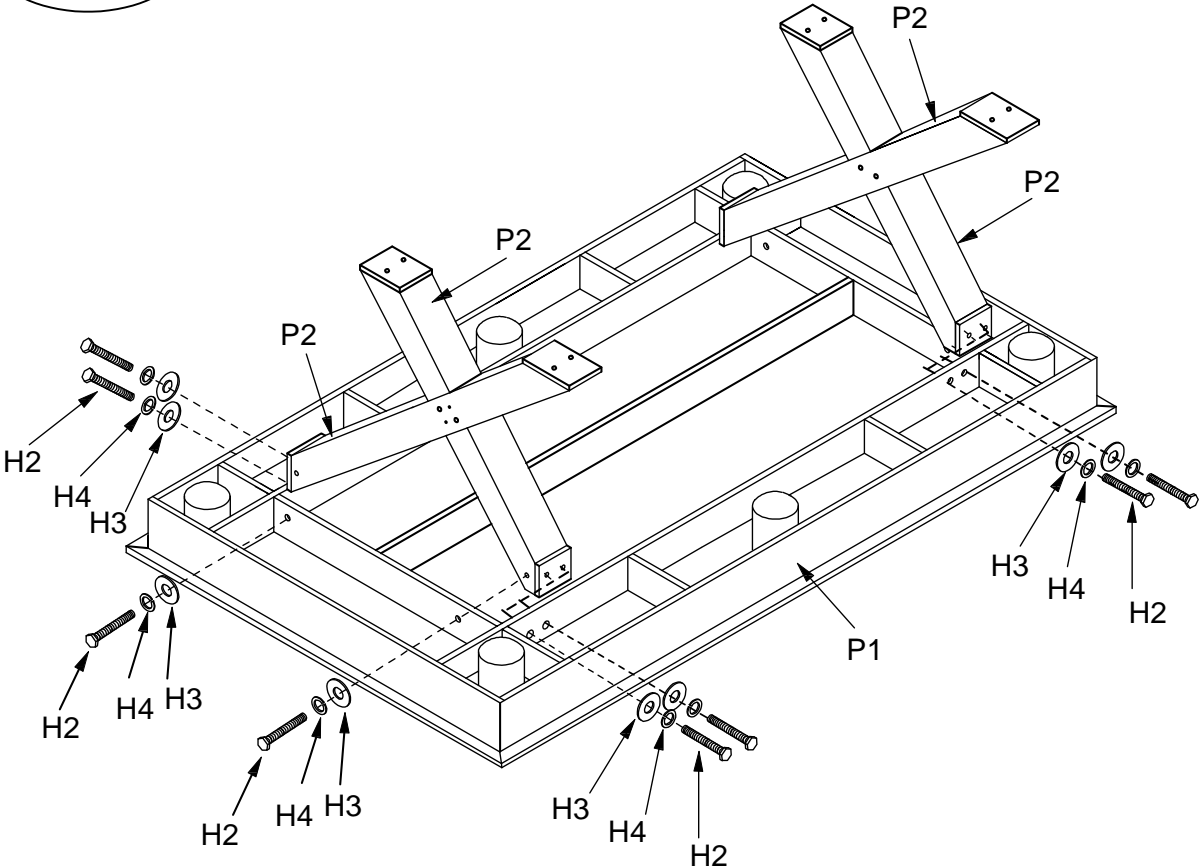


FIG. 3

Black laminate to outside.

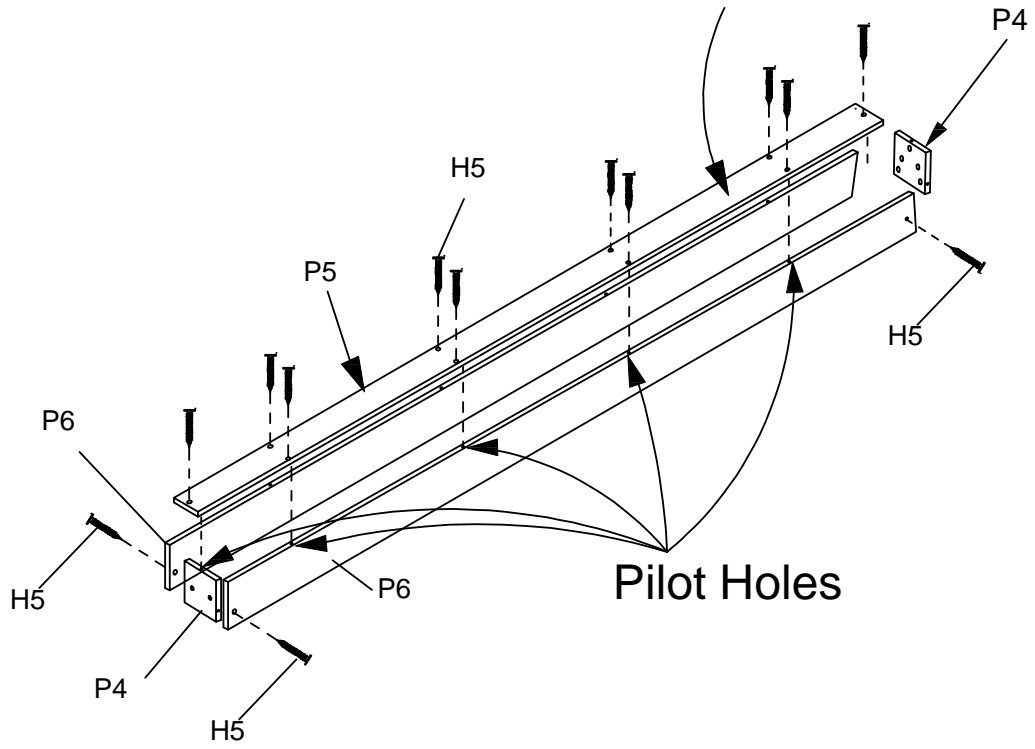


FIG. 4

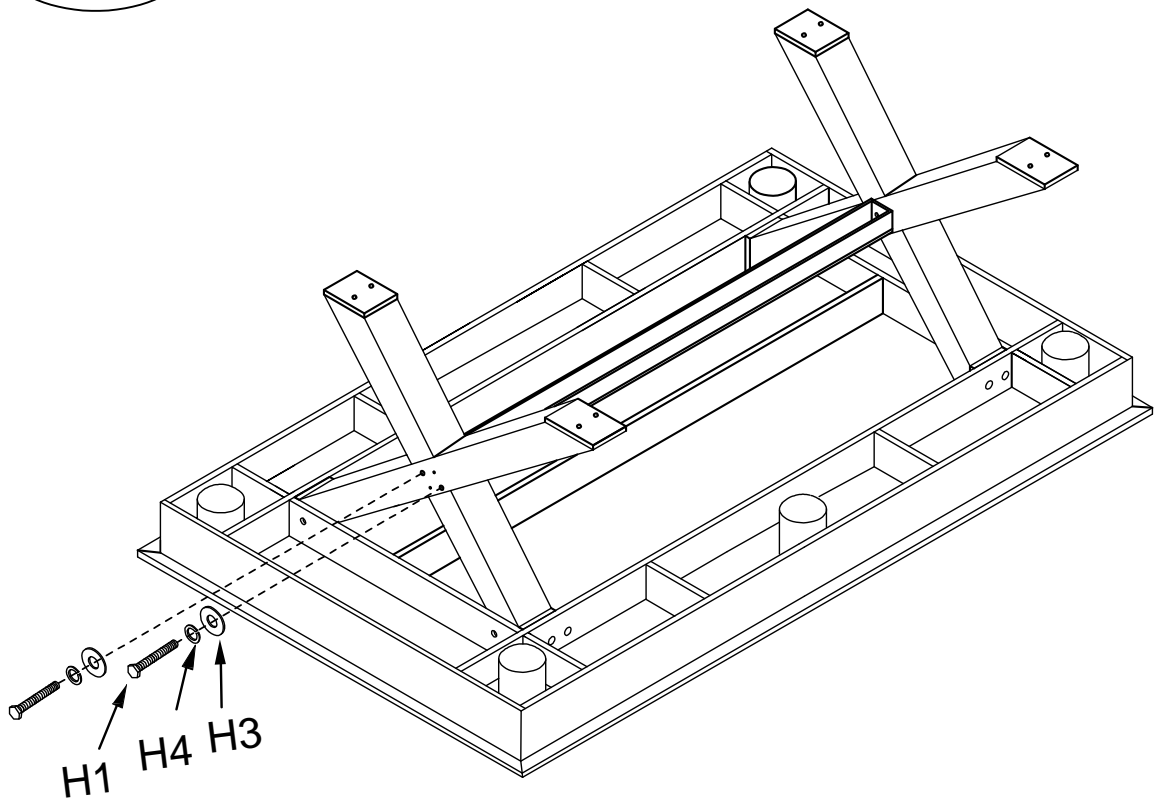
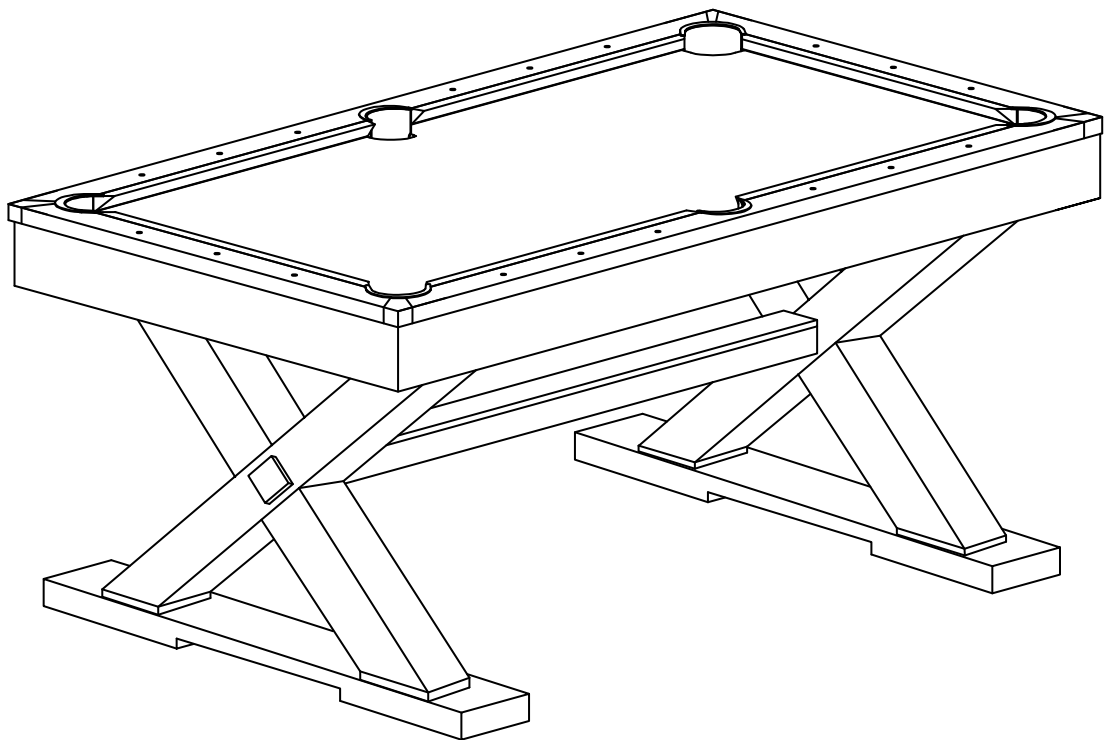
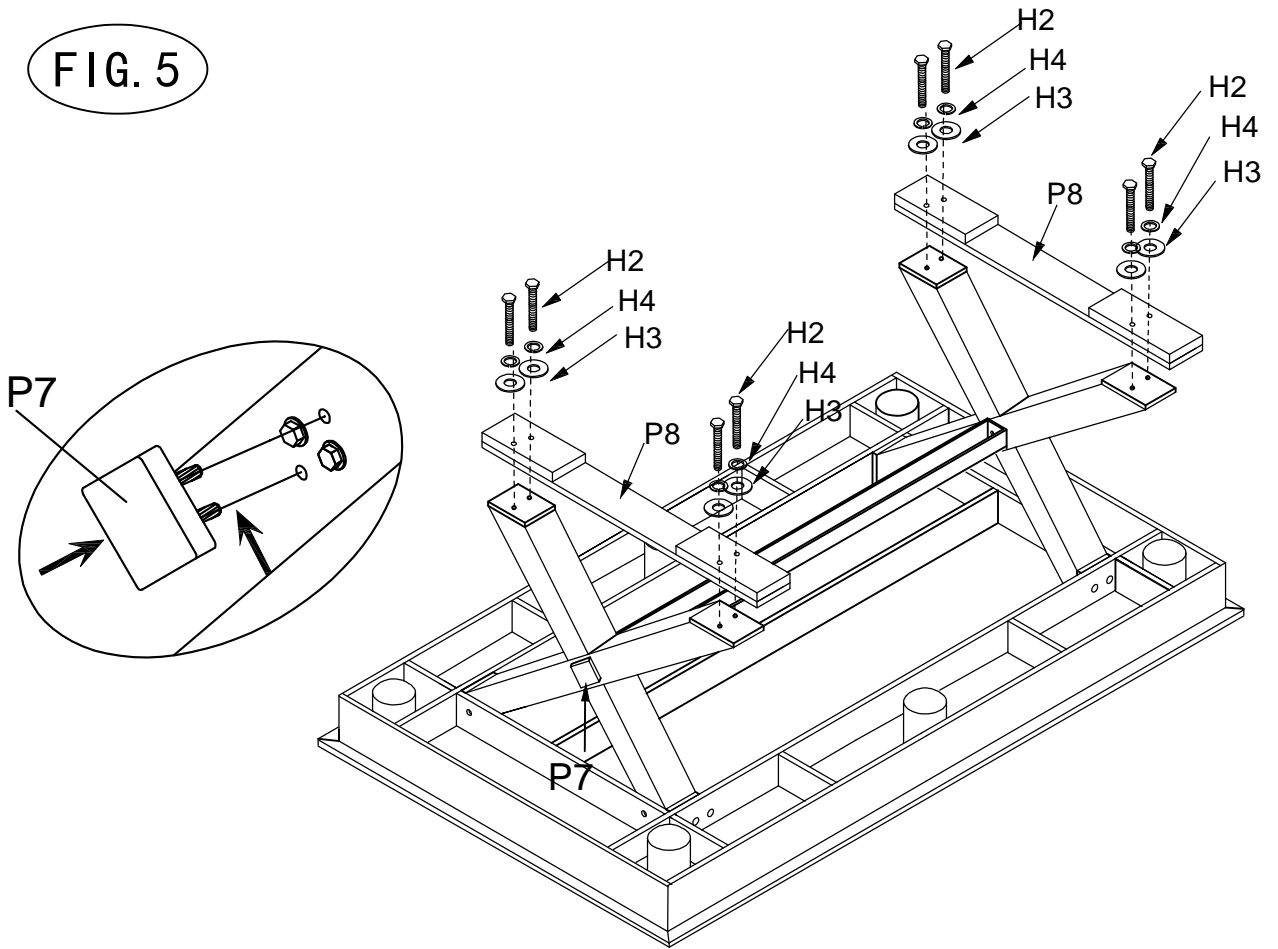


FIG. 5



Installation complete.