
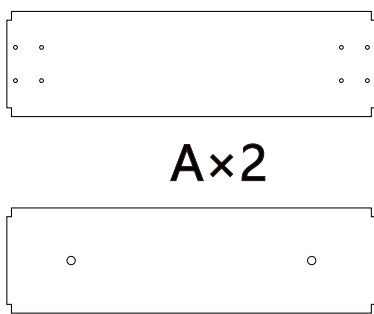


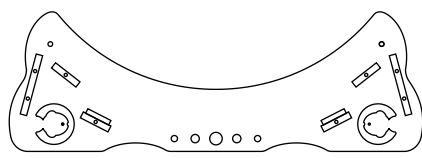

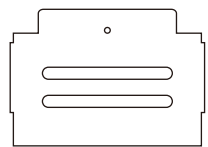

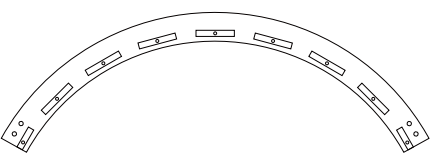



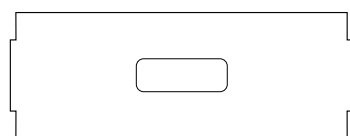
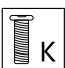
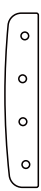
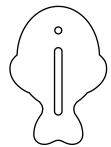

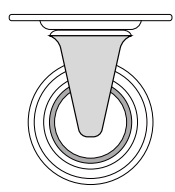
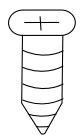
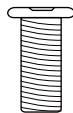
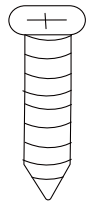

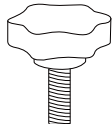
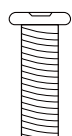


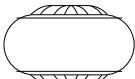
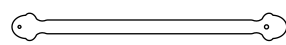



Cat treadmill installation

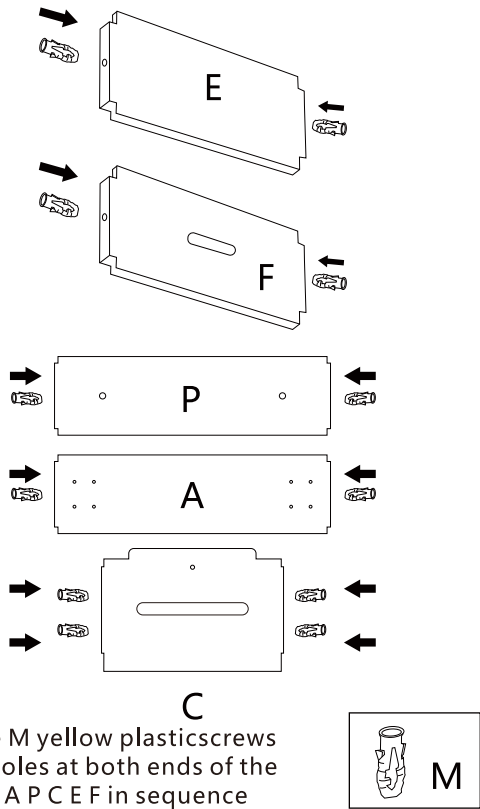
Instructions Hint:

Do not tighten the mounting screws to the end at one time, and tighten them again after a single component is installed and formed!

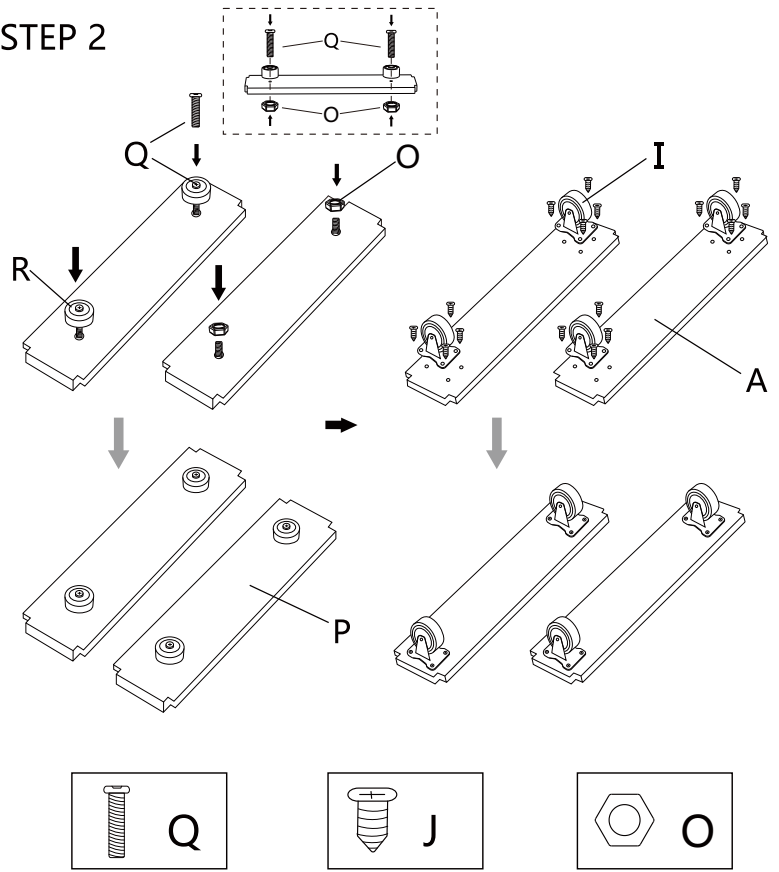
  <p>A×2</p>  <p>P×2</p>	  <p>B×2</p>	  <p>C ×2</p> <p>* C a plank with only one screw hole</p>
  <p>D×6</p>	<p>* Three pieces of E have double holes in the side! Connecting D and D!</p>   <p>E×3</p>	  <p>F×1</p>
  <p>G×6</p>	 <p>H×1</p>	  <p>I×4</p>  <p>J×16</p>
 <p>K×24</p>	 <p>L×70</p>  <p>M×70</p>	 <p>N×3</p>
<p>* Q long screw</p>  <p>Q×4</p>  <p>O×4</p>	  <p>R×4</p>	 <p>S×2</p>  <p>T×1</p>

Detailed installation steps :

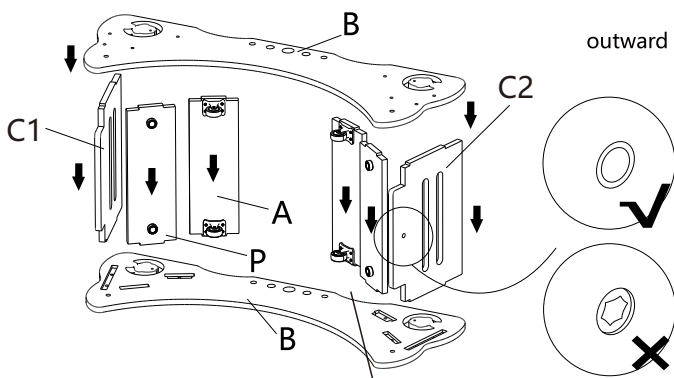
STEP 1



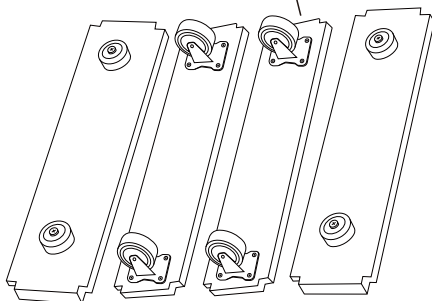
STEP 2



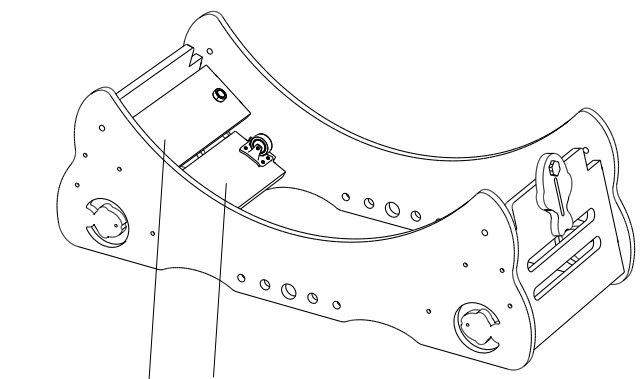
STEP 3



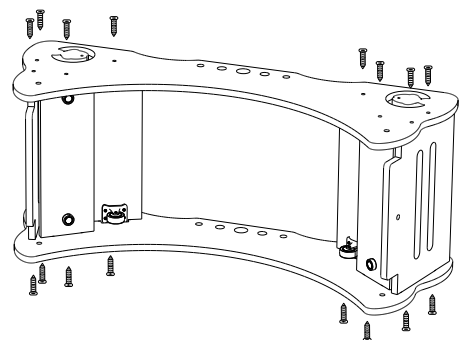
Insert the fixingscrews first, then install the other side to fixit, and then install the other side to fixit.



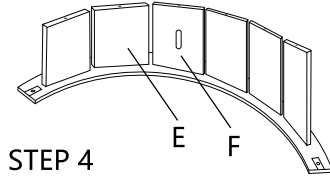
The two A plates with I wheels are at the bottom, and close to the A plates are the two P plates with R small wheels.



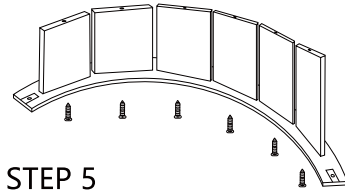
Note the order of parts A and P, A inside, P outside
Base installation complete



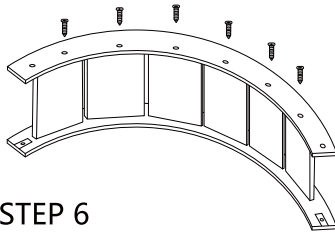
* Note that the F plate should be placed in the middle of the horizontal plate arrangement in the arc plate (such as the third of the 5 horizontal plates, the fourth of the 7 horizontal plates, the actual object shall prevail)



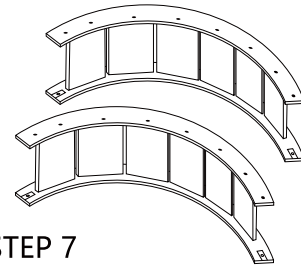
STEP 4



STEP 5



STEP 6

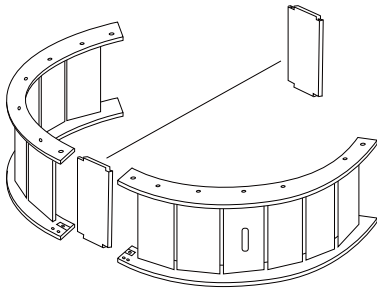


STEP 7

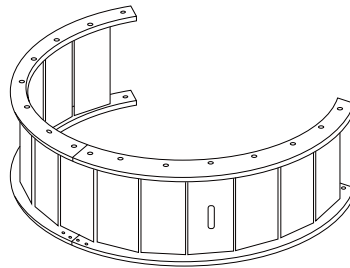
repeat step 4 5 6 again

STEP 8

Here, use E with double holes for installation

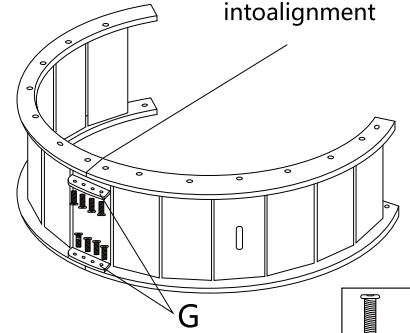


STEP 9

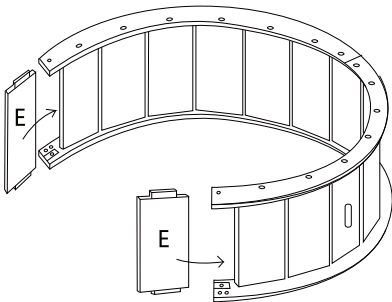


STEP 10

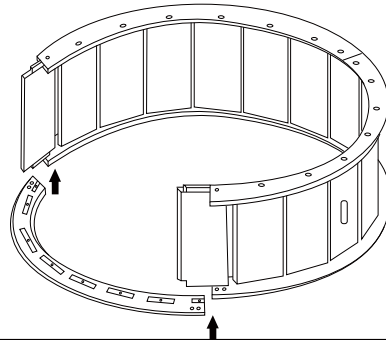
This connection snaps into alignment



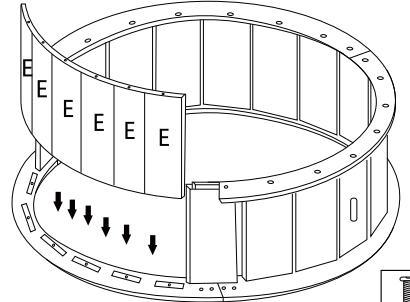
STEP 11



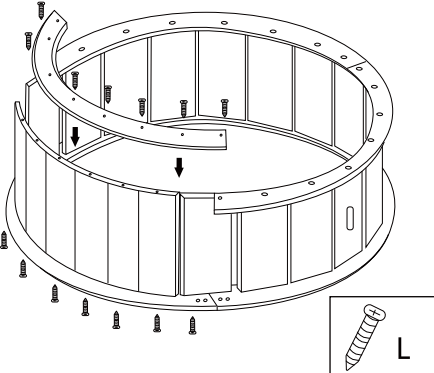
STEP 12



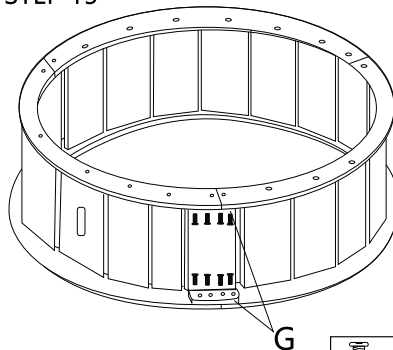
STEP 13



STEP 14

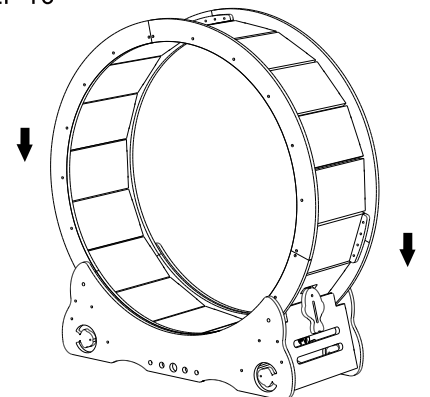


STEP 15

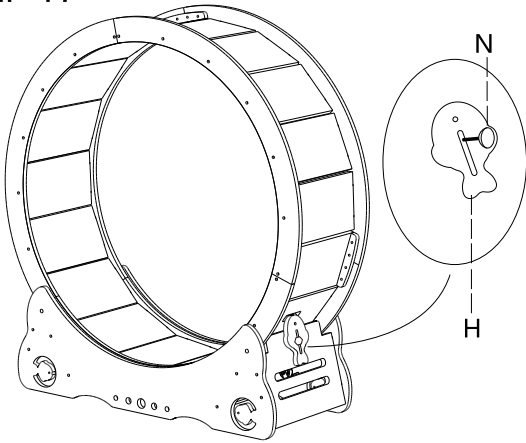


STEP 16

Place the rollers on the base



STEP 17

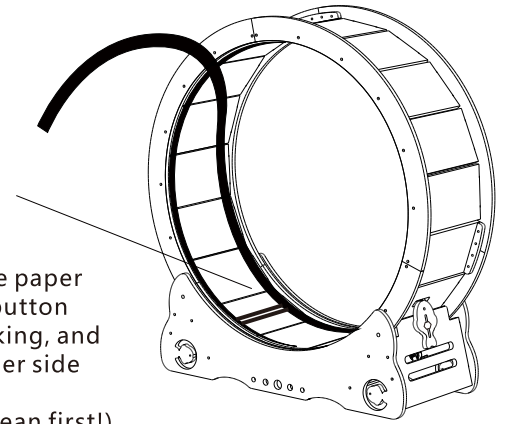


STEP 18

Please paste the black buckle as shown in the figure below

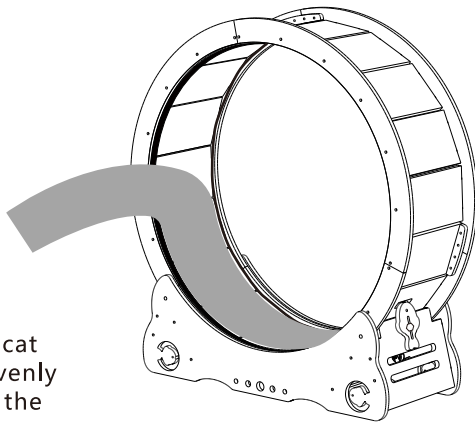
Stick one side ways

Tear off the surface paper of the black snap button with adhesive backing, and fix it along the inner side of the roller.
(Wipe the rollers clean first!)



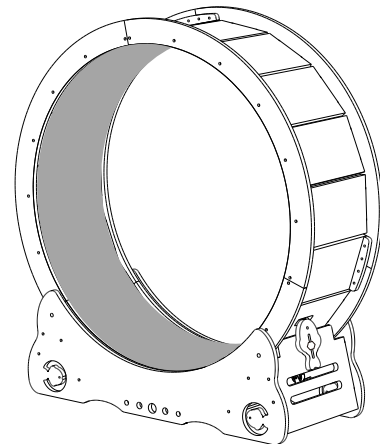
STEP 19

Glue the grey cat scratch pad evenly and tightly to the inside of the runway

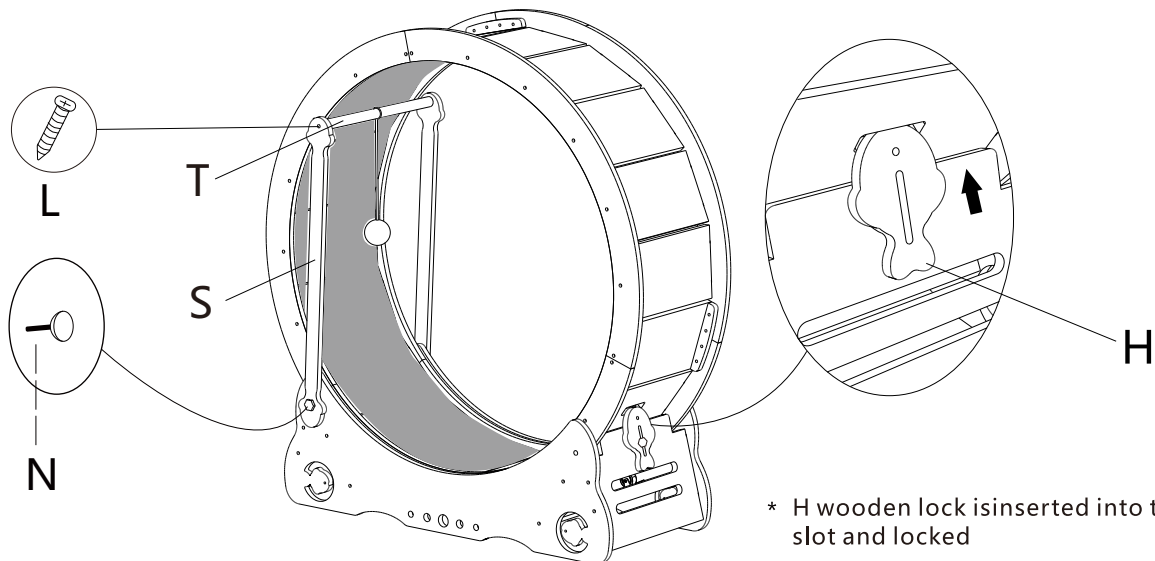


STEP 20

Finished



Lock it when not in use



* H wooden lock is inserted into the card slot and locked