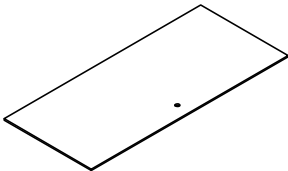
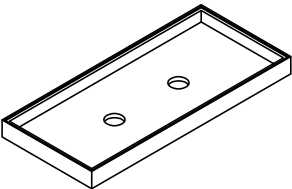


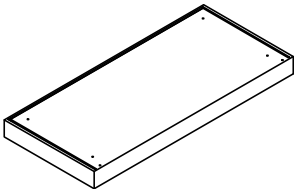
Part list



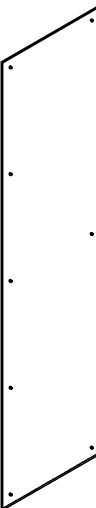
①X1



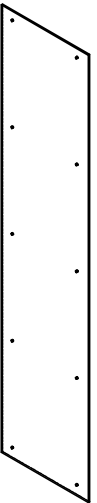
②X1



③X1



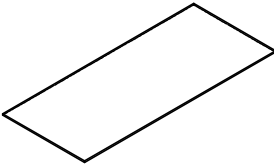
④X2



⑤X2

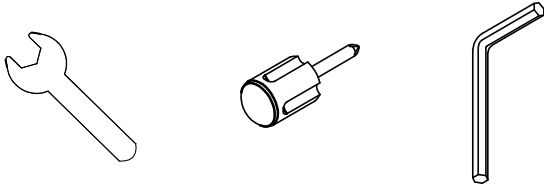


⑥X2

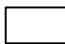


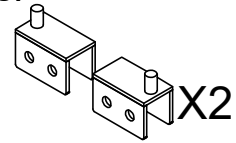
⑦X3

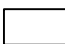
Hardware list



(A) X1

 X4
Rubber gaskets.



 X4
Plastic gaskets.

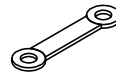


(B) X4

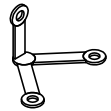


(C) X26

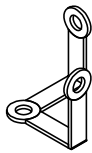
(X)36
Plastic gaskets.



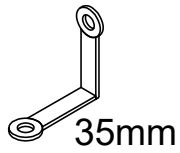
(D) X2



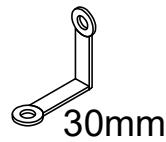
(E) X2



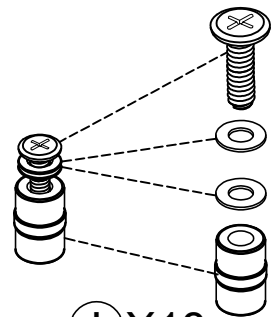
(F) X4



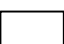
(G) X6

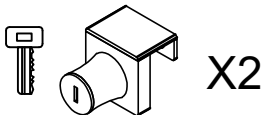


(H) X4



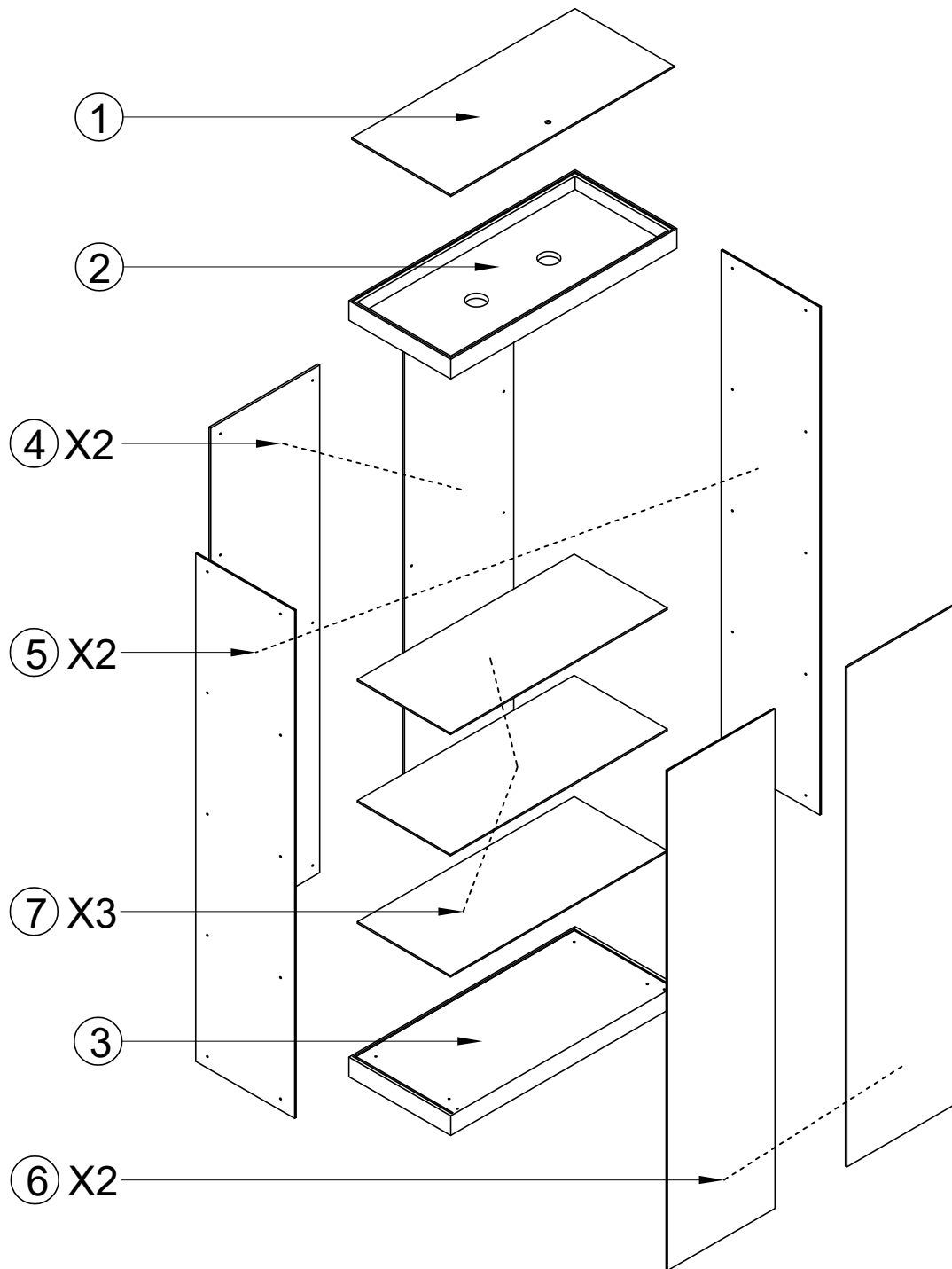
(I) X18

 X2
Rubber gaskets.



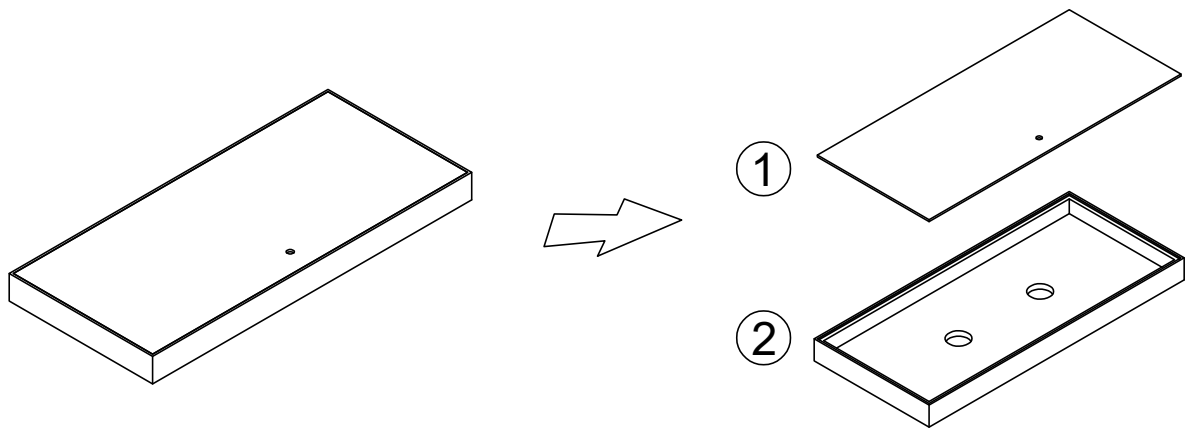
(J) X2

 X2
Plastic gaskets.



The glass display case requires at least two people to work together to assemble it.

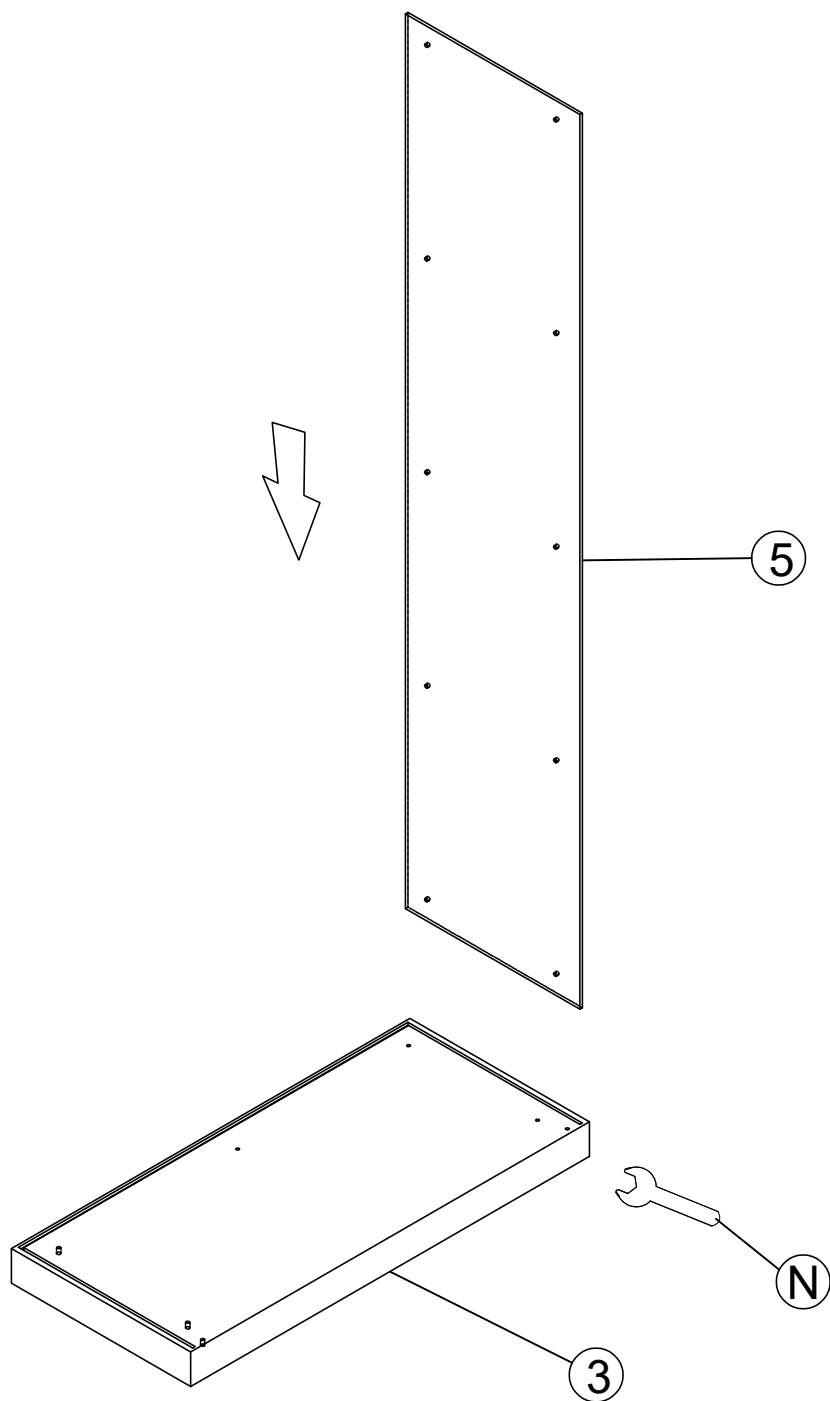
1



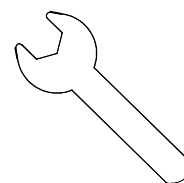
After the top cover is opened, pay attention to the items in the picture below, after the plug connection cable is unplugged, pass the connection cable through the small hole of the top cover, so that it is convenient to connect the power supply at the end.



2

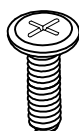
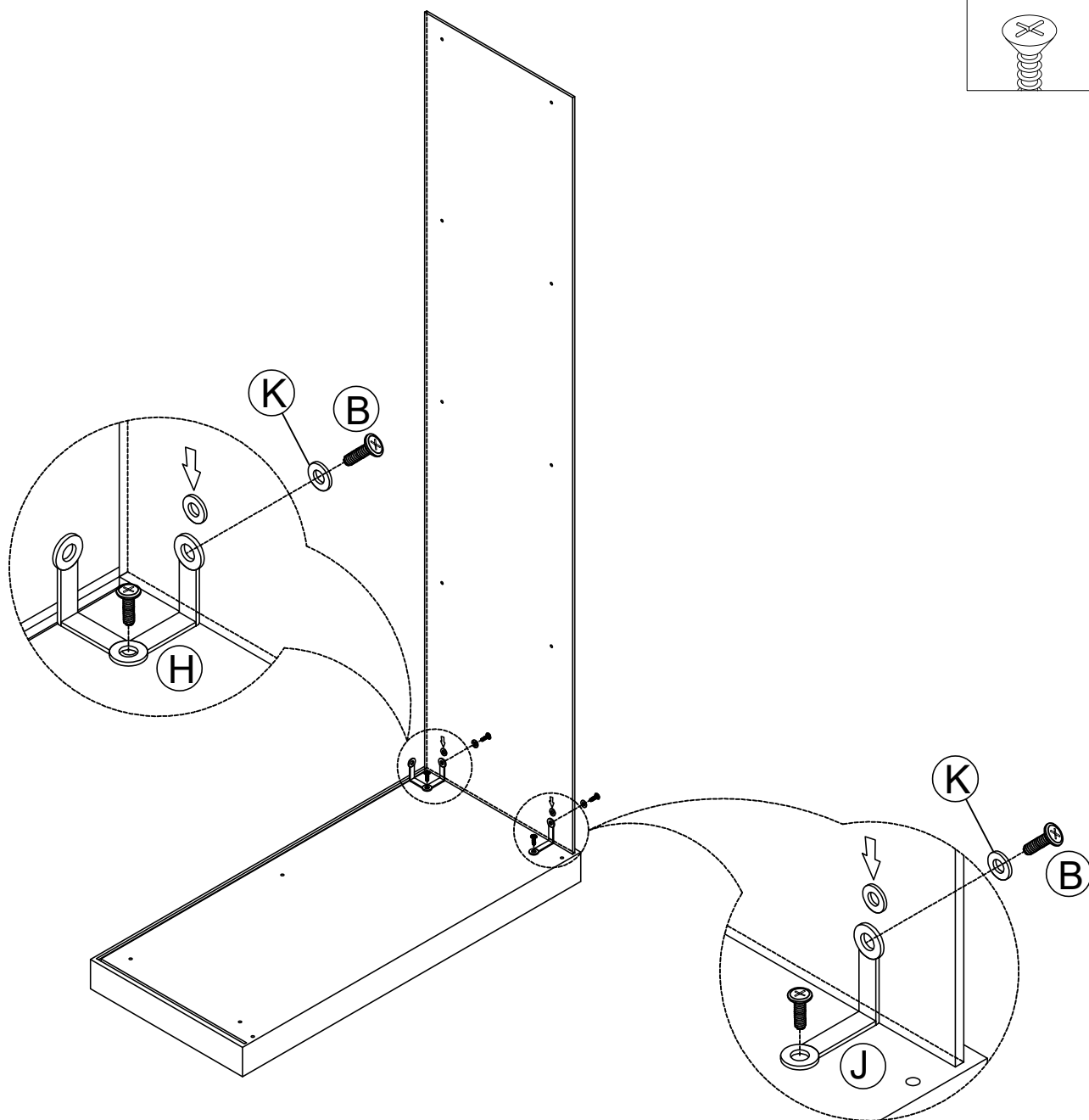
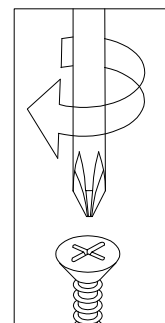


Before installing the glass, use the N tool to rotate the No. 3 bottom ring clockwise to the ground.



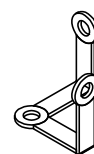
AX1

3

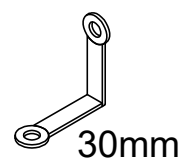


Plastic gaskets.

(C)X4

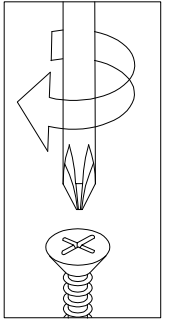
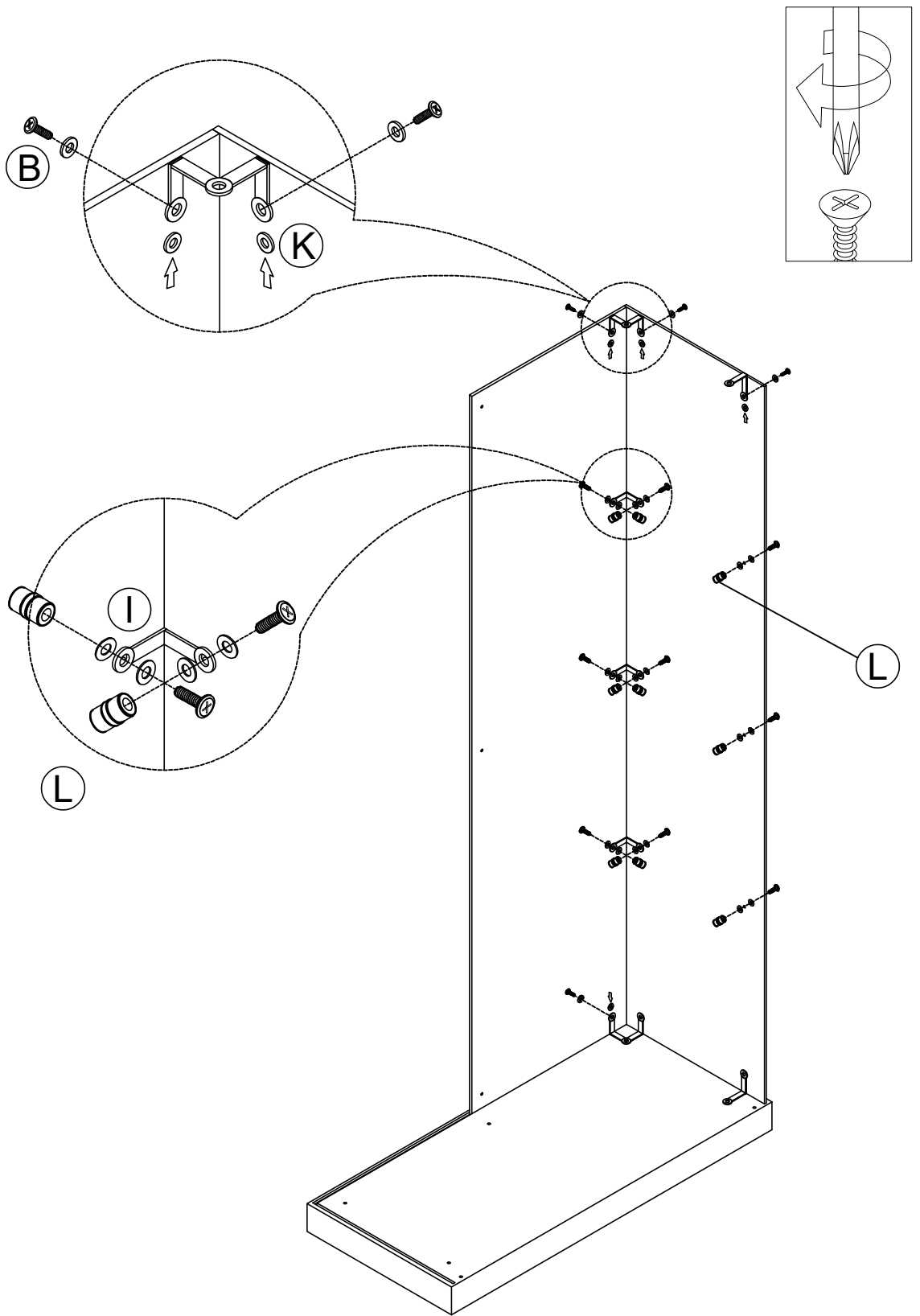


(F)X1

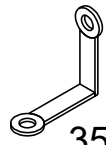


(H)X1

5



Plastic gaskets.



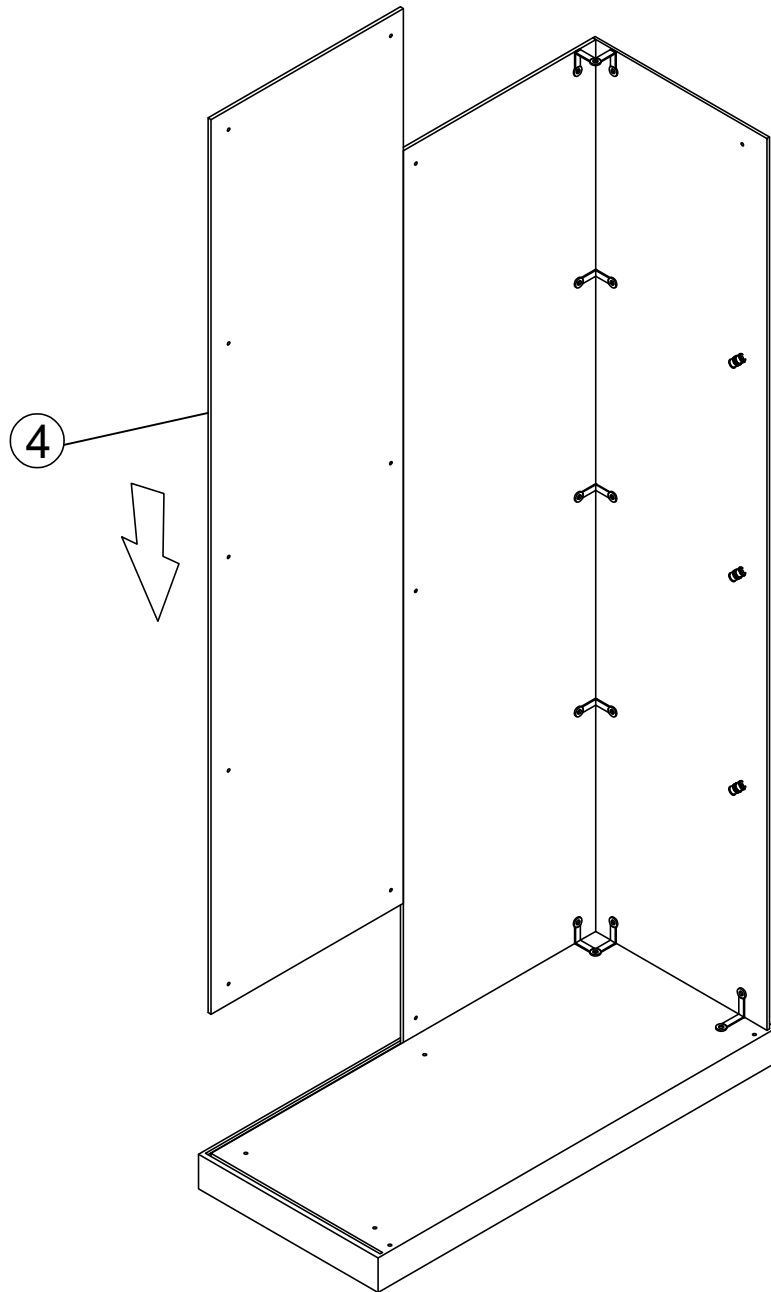
35mm

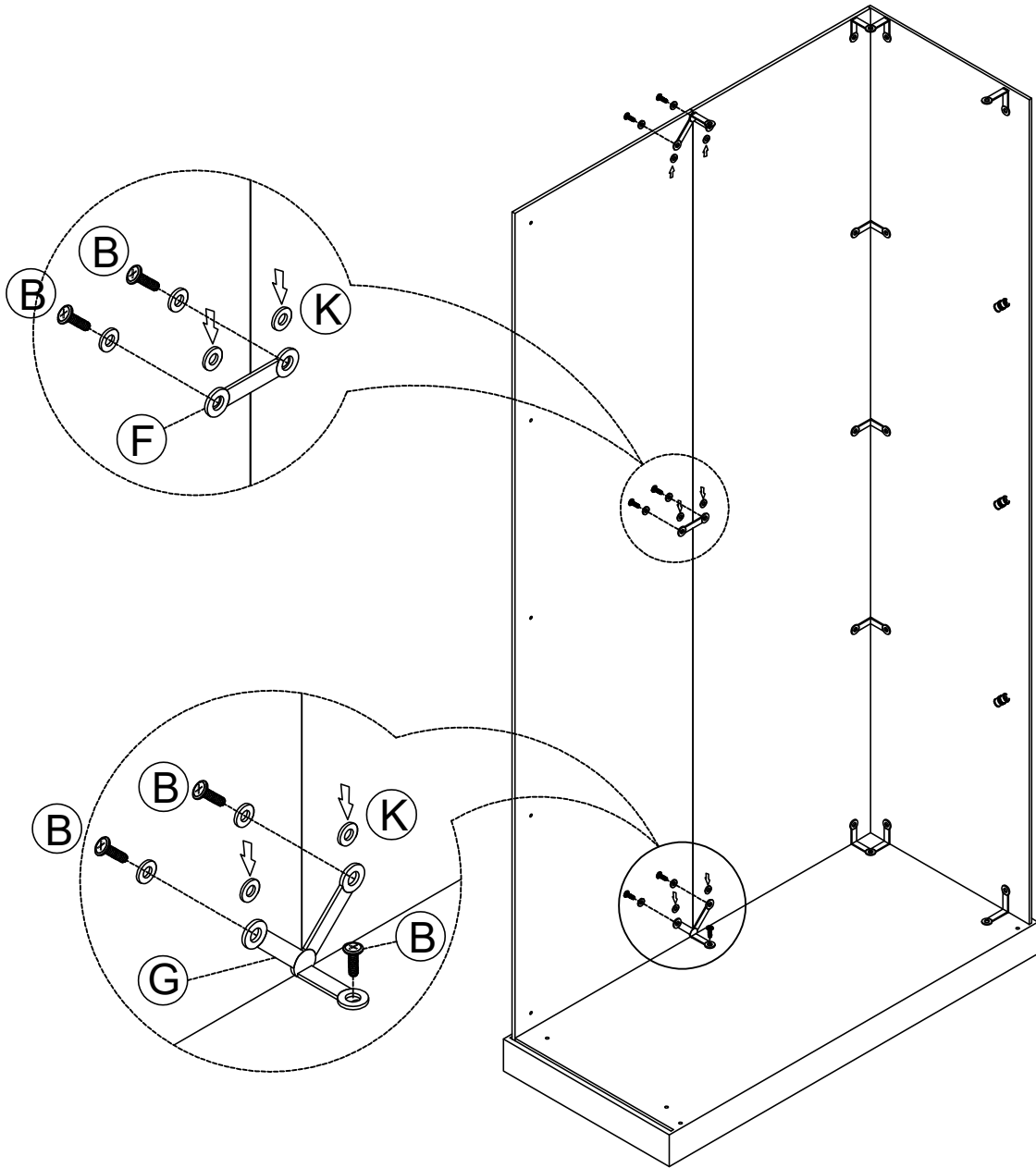
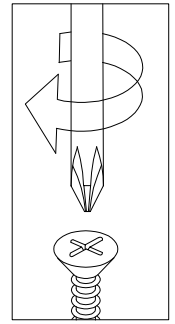
(C)X4


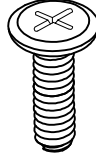
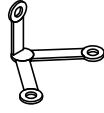
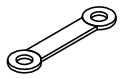
(I)X6

(G)X3

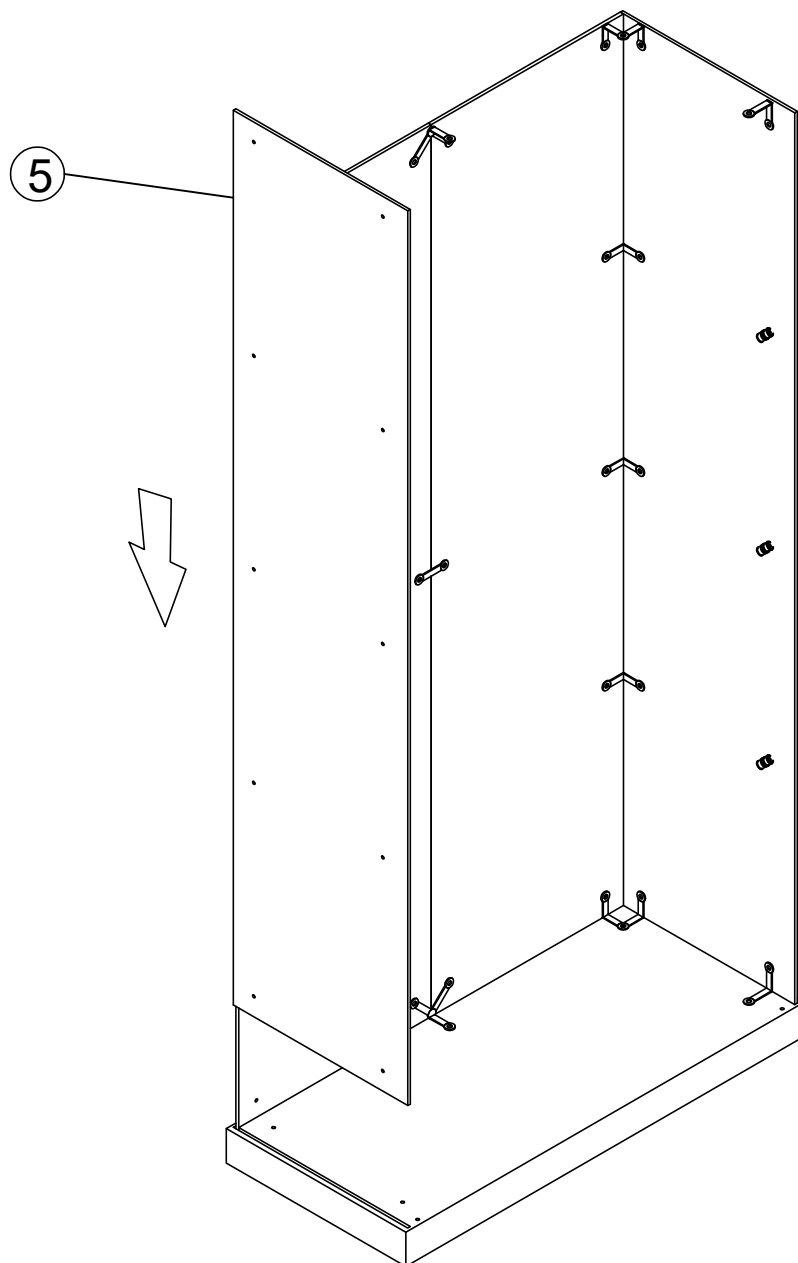
6



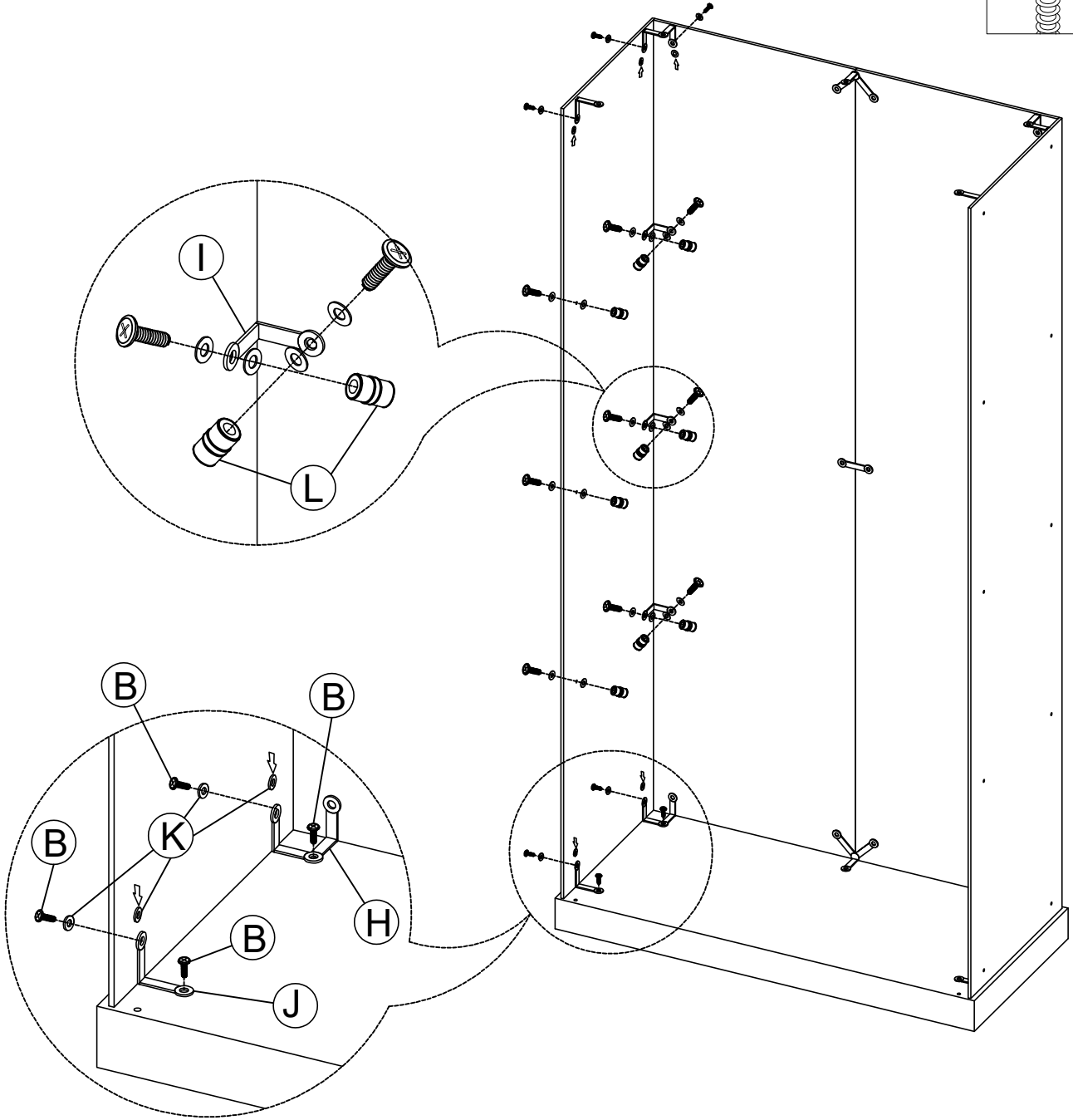
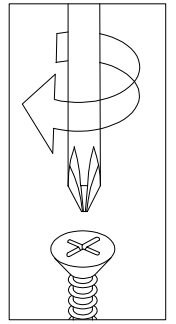


- 
Plastic gaskets.
(C)X12
- 
(C)X8
- 
(E)X2
- 
(D)X1

8



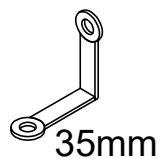
9



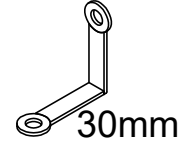
(C) X7



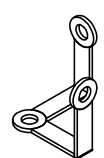
(I) X9



(G) X3

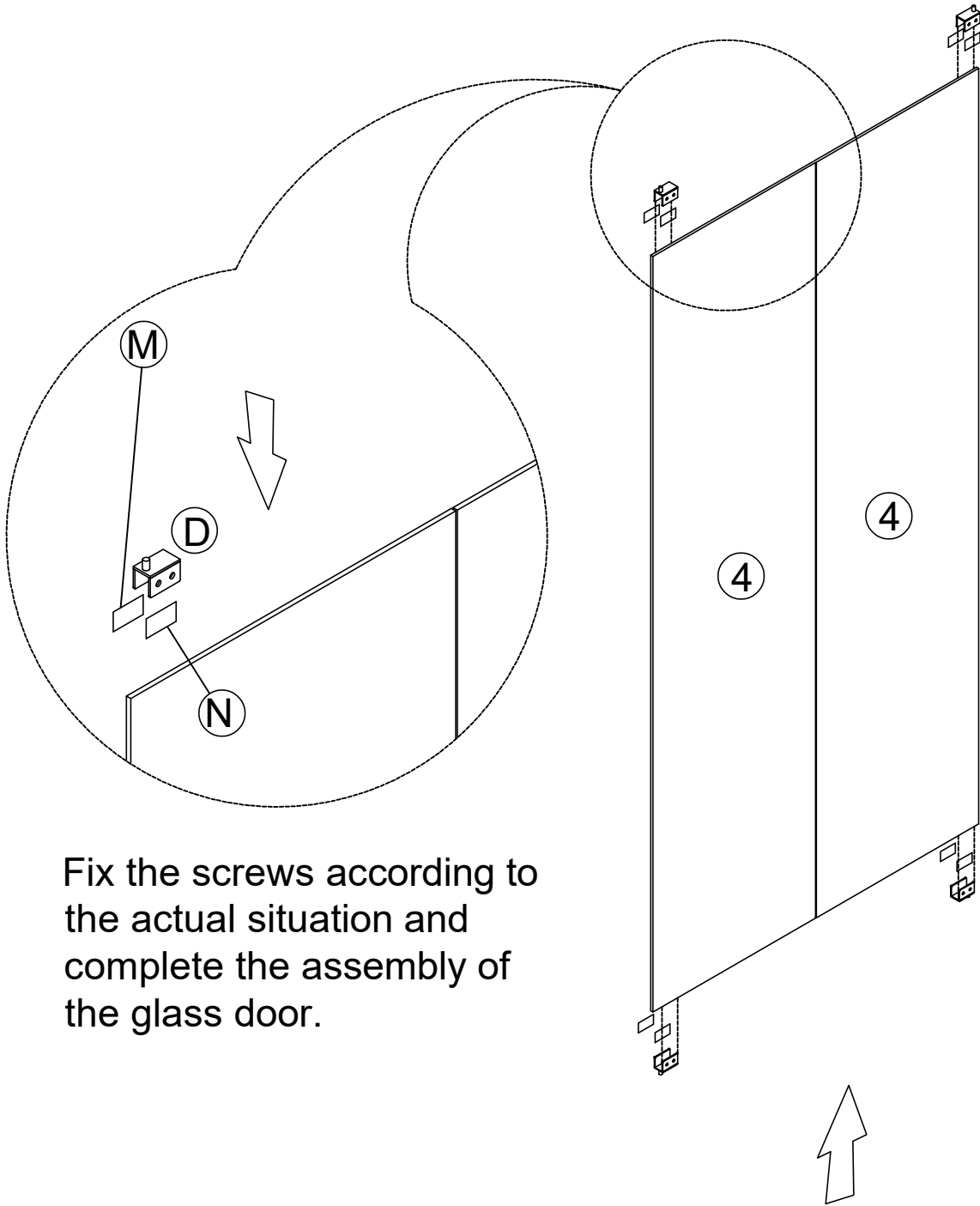


(H) X2

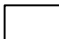
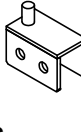
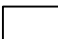



(F) X2

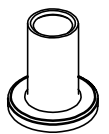
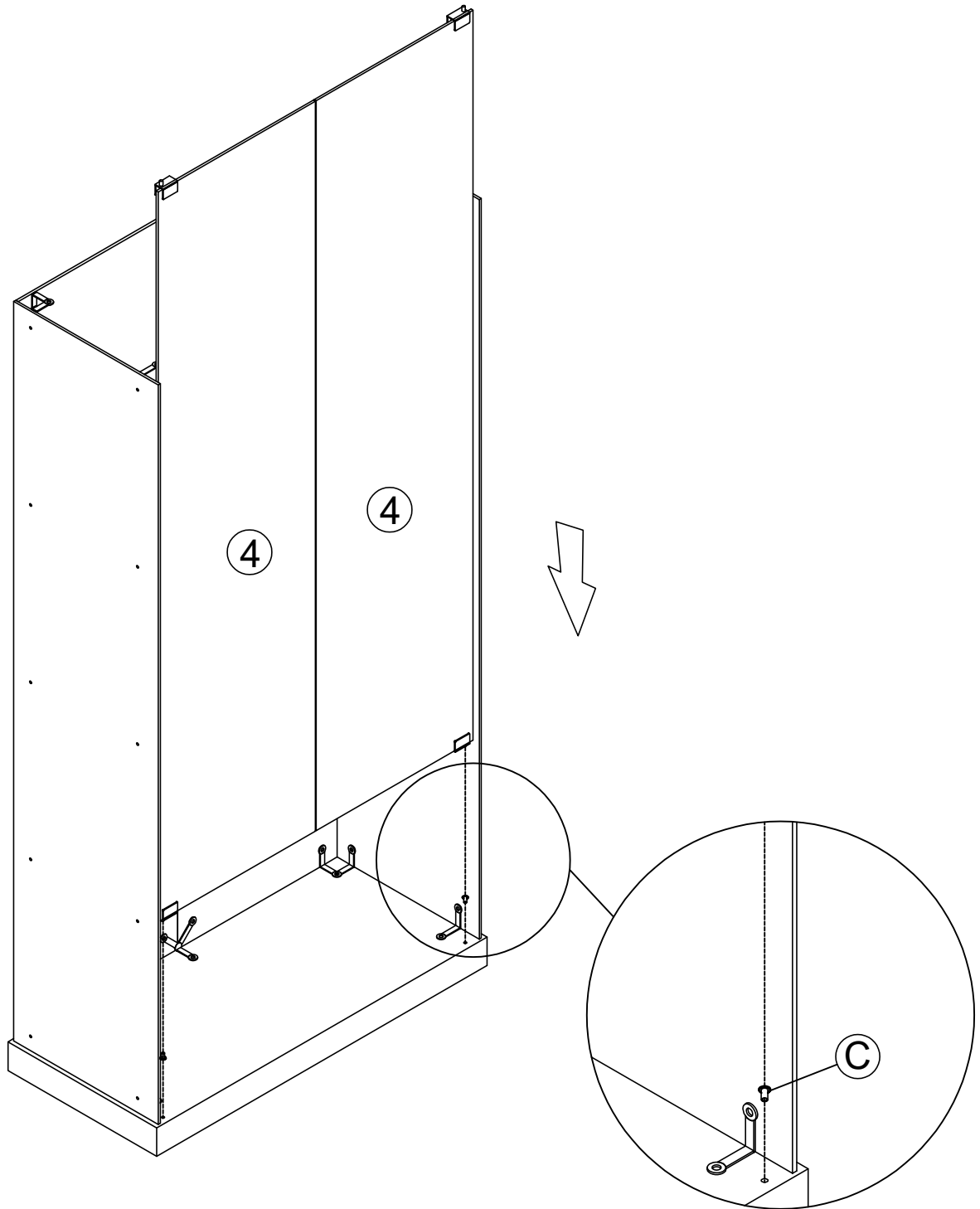
10



Fix the screws according to the actual situation and complete the assembly of the glass door.

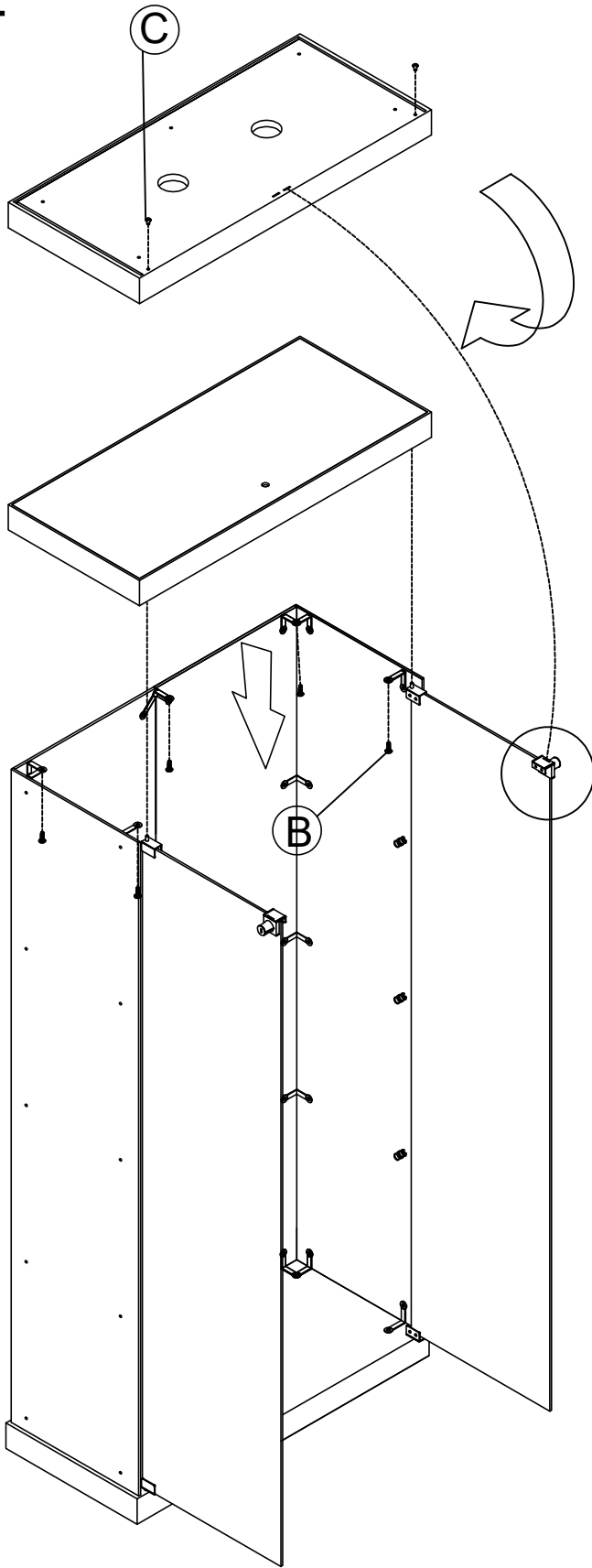
-  X4
Rubber gaskets.
-  X2
-  X4
Plastic gaskets.
-  (B)

11

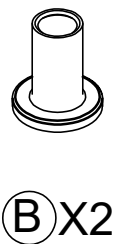
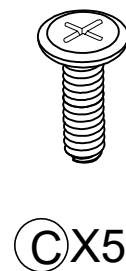
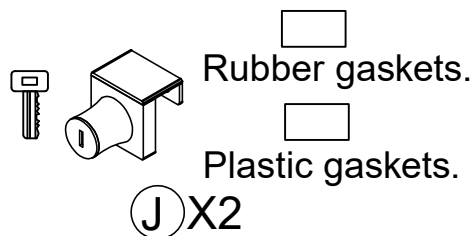
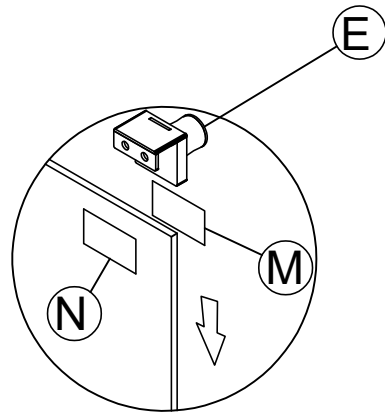


(B) X2

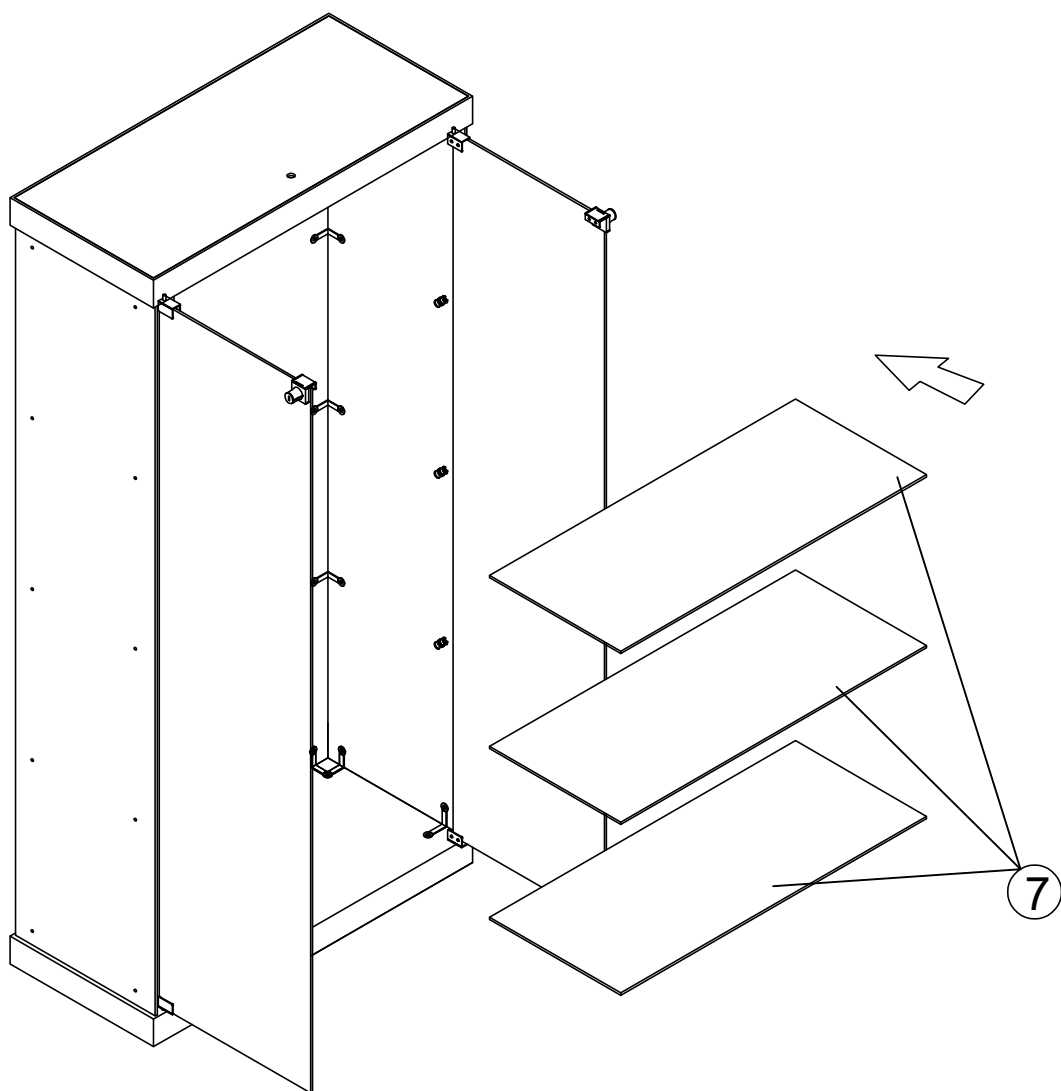
12

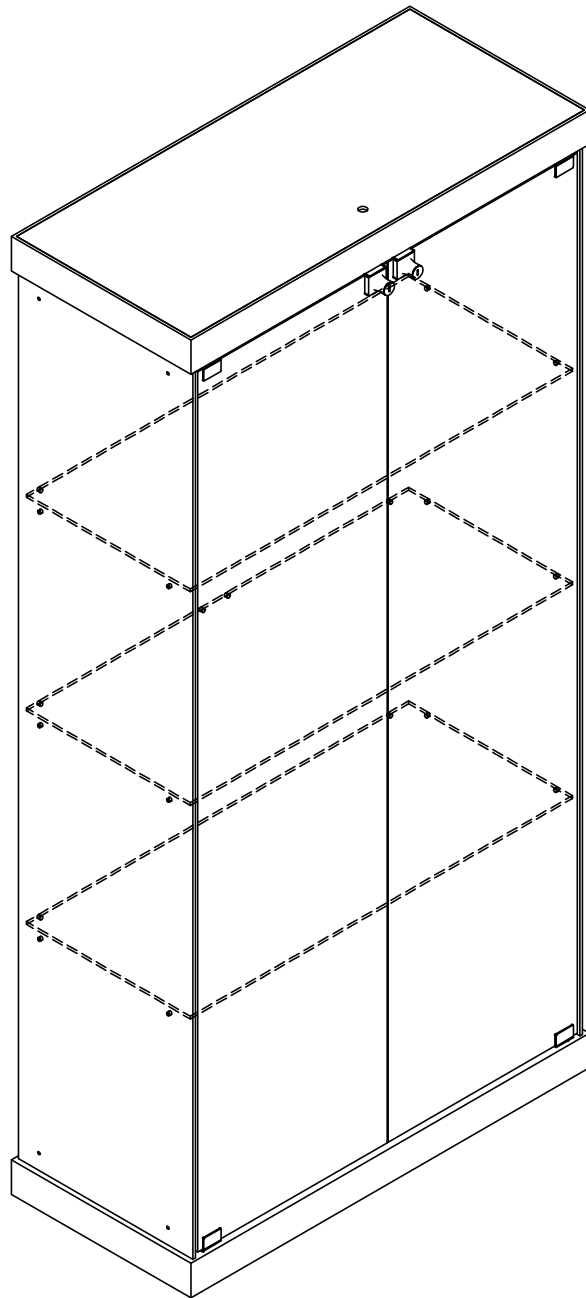


After the glass door is installed, adjust the lock to align the lock hole and tighten the screws.



13





After the installation of the glass display cabinet is completed, rotate the bottom ring counterclockwise, and the bottom wheel can be pushed when it leaks.