

In the three-piece luggage set, only the four universal wheels of the 29-inch suitcase need to be installed, and it comes with screws and screwdriver.

① First open the suitcase and unzip both sides.



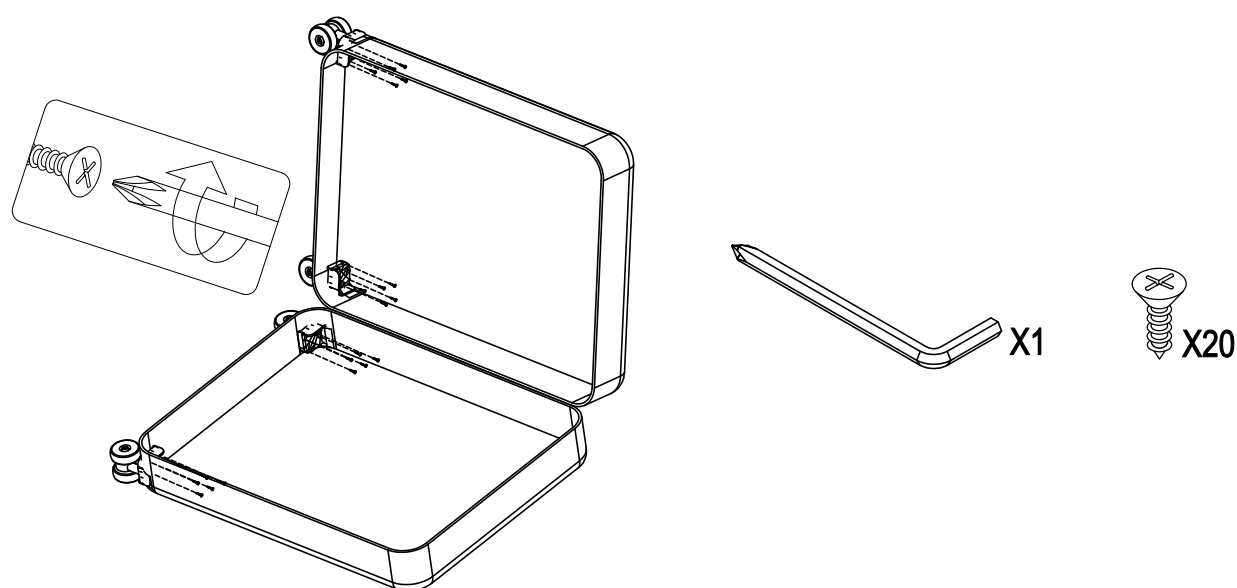
② Open the two internal zippers again.



③ When the zipper is fully opened, you can see the structure like this.



④ Then start assembling the four wheels using a screwdriver and screws.



(Before installation)



(After installation)

