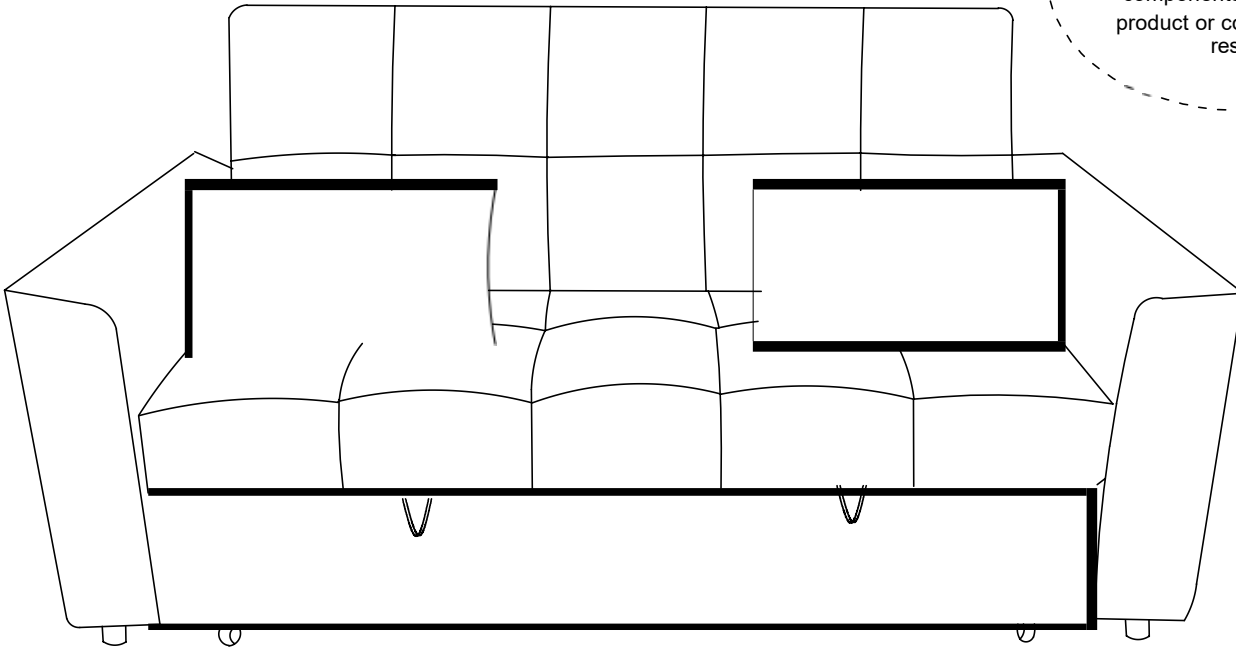


Assembly Instructions

Your chair comes packaged in one box. Carefully remove all of components from the packaging and set aside for assembly.

CAUTION:
DO NOT use any sharp objects to open plastic wrapped components as damage to product or components may result.



ASSEMBLY INSTRUCTIONS

PARTS LIST

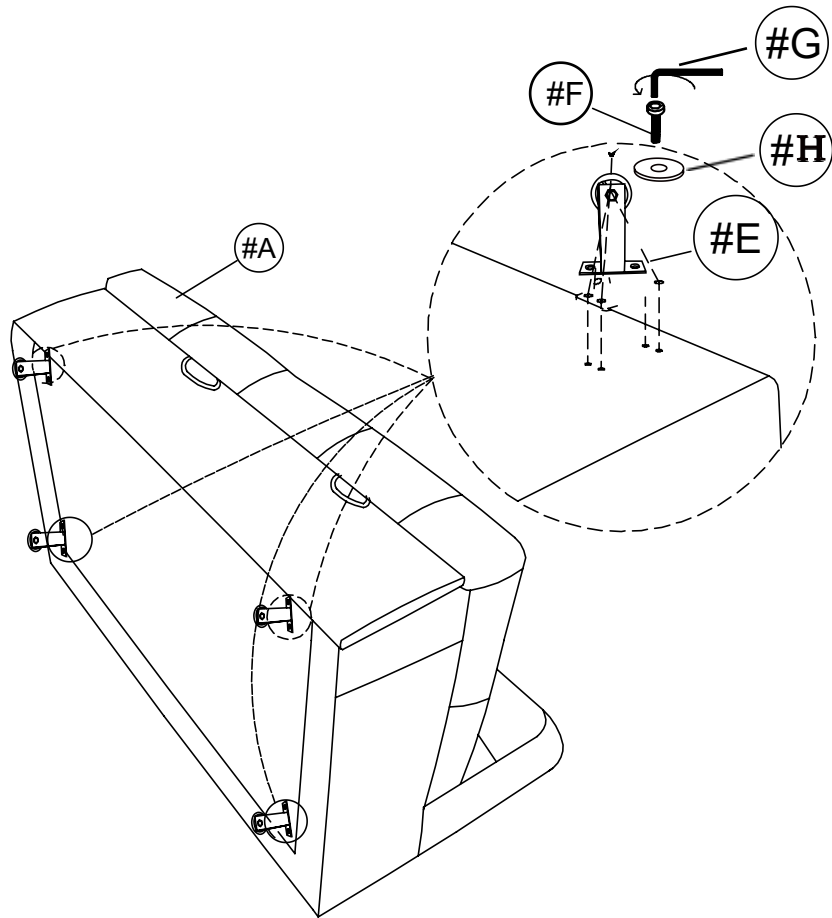
PART	DRAWING	DESCRIPTION	QTY
A		Seat frame	1
B		Arm (L&R)	2
C		Pillow	2
D		LEG	4

HARDWARE LIST

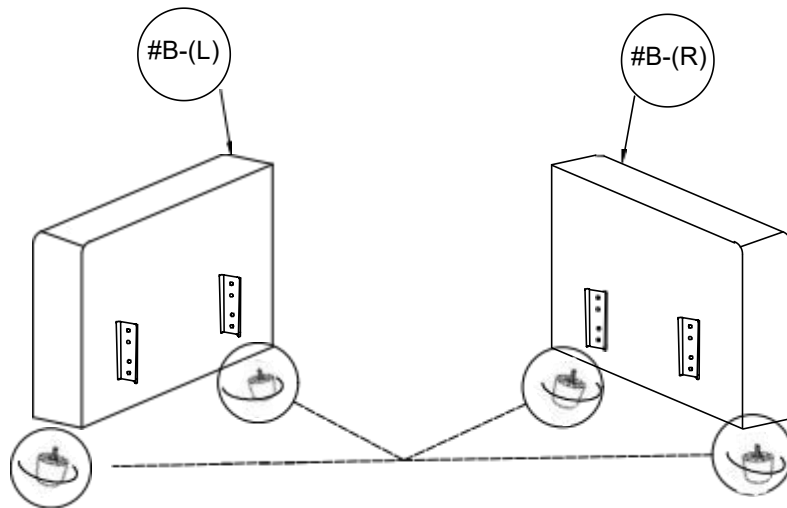
PART	DRAWING	DESCRIPTION	QTY
E		Roller	4
F		Screw	8
G		Wrench	1
H		Spacer	8

ASSEMBLY INSTRUCTIONS

STEP 1

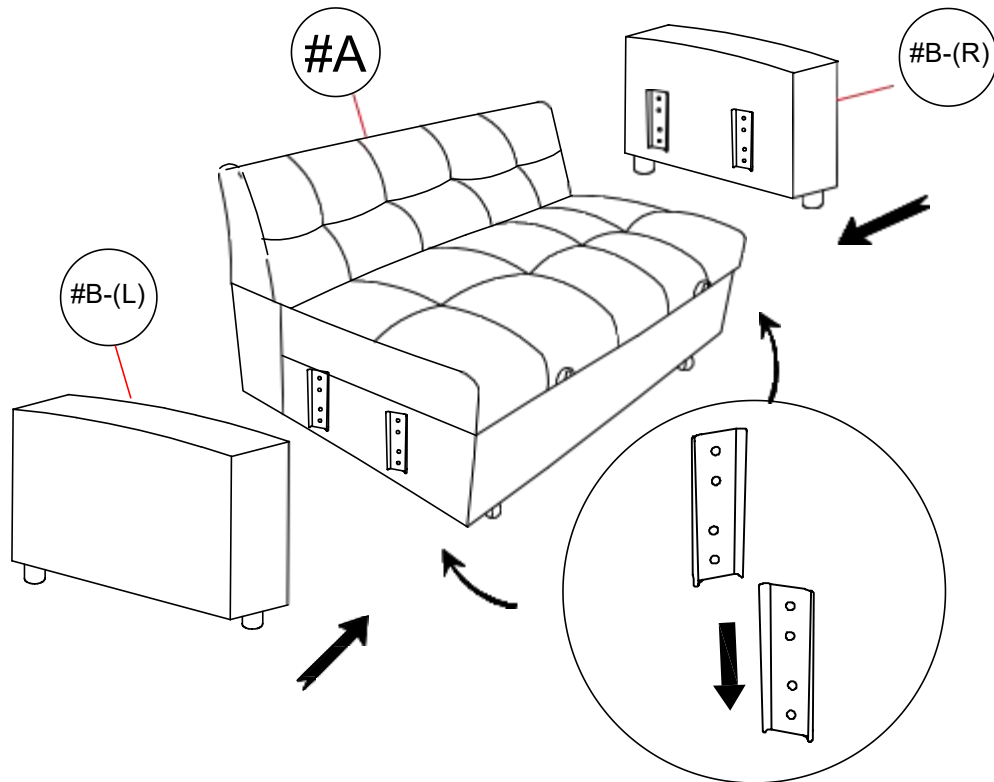


STEP 2

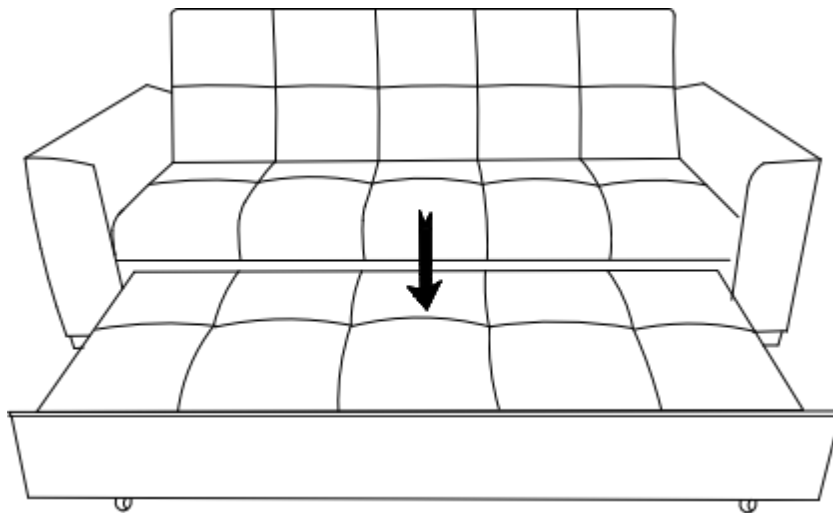


ASSEMBLY INSTRUCTIONS

STEP 3

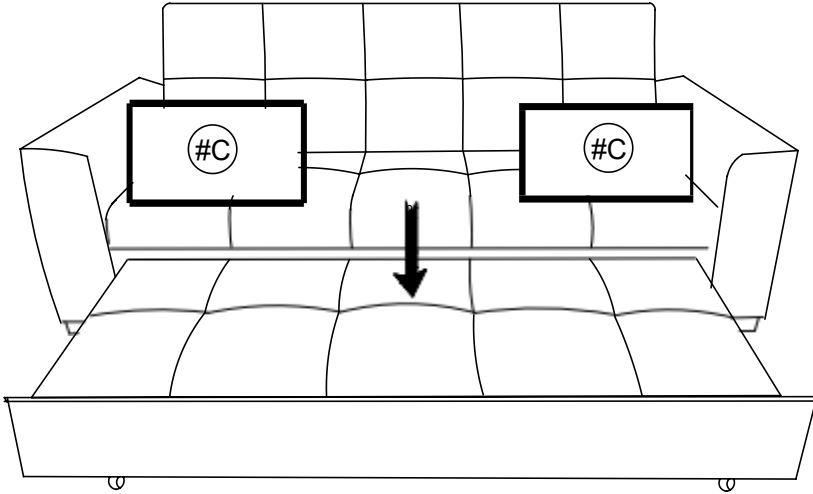


STEP 4



ASSEMBLY INSTRUCTIONS

STEP 5



COMPLETED !

