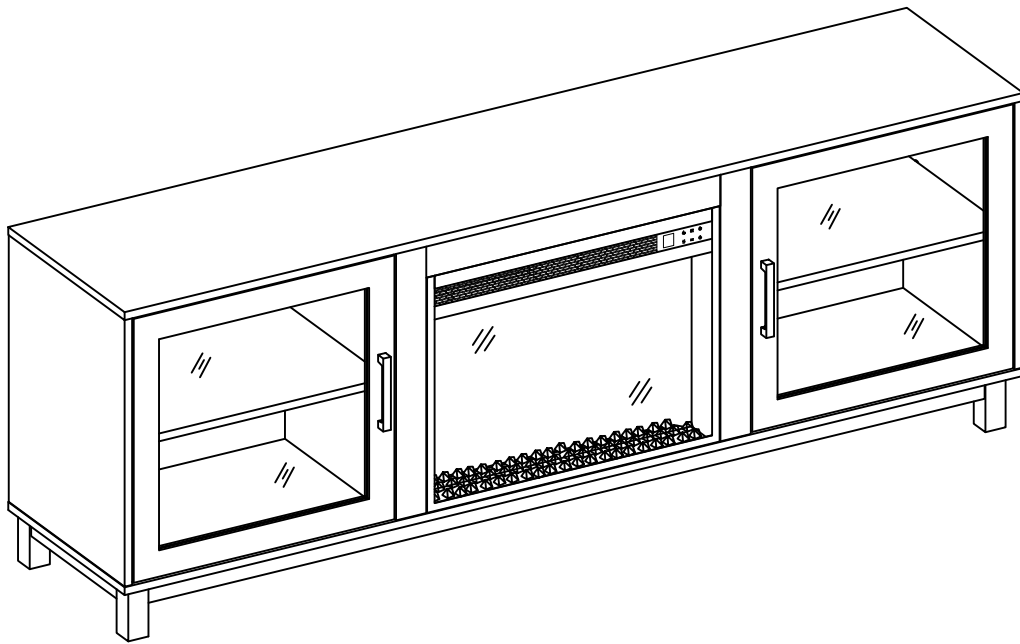


ASSEMBLY INSTRUCTION

ITEM NO: 97032



EN

Thank you for purchase on our products, please contact us if you have difficulty with assembly or need replacement parts. Our customer service is here to assist you.

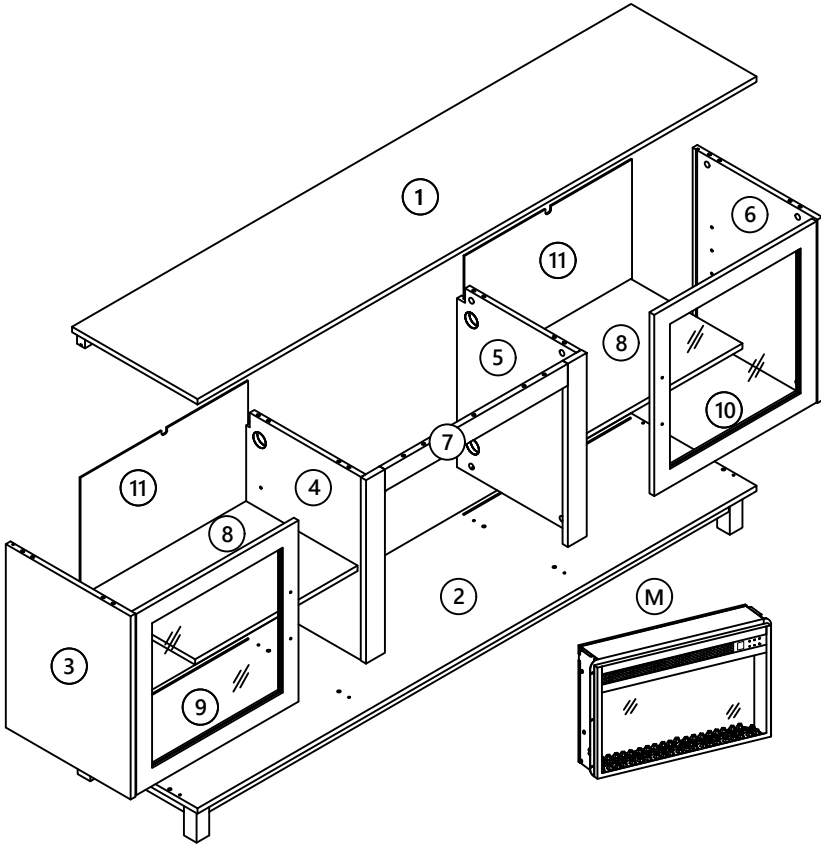
Please attach your User Name or Order ID so that we can assist you better.

WARNING

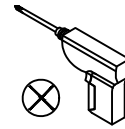
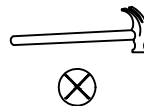
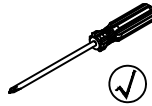
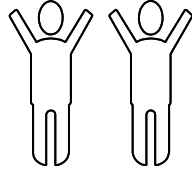
Serious or fatal injury may occur from unexpected assembly or use .

1. During the assembly process, keep all parts away from babies or children.
2. Always securely fix this product to the wall. Make sure the wall area to be drilled is free from hidden electrical wires, water and gas pipes.
3. Use of tip-over restraints may only reduce, but not eliminate the risk of tip-over.
4. Unless specially designed to accommodate, do not set heavy objects on top of this product.
5. Place the heaviest items on the lowest shelf.
6. Never allow children to climb or bang on drawers, doors or shelves.

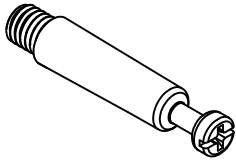
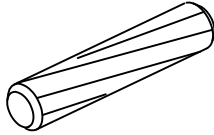

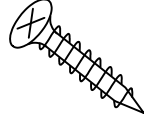
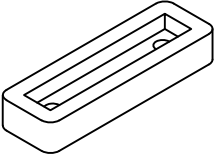
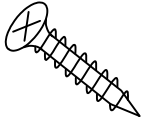
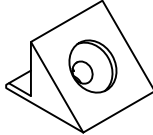
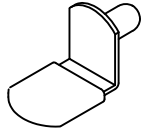
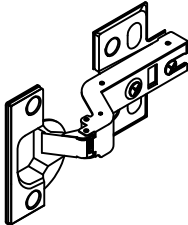
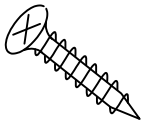
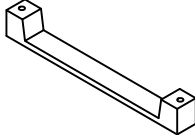

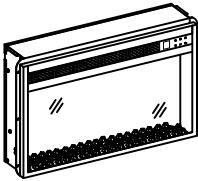
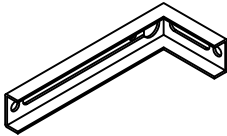
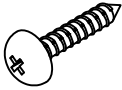
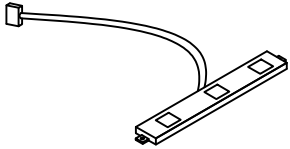

Parts List



Hardware List

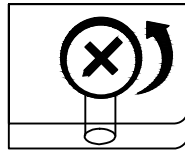
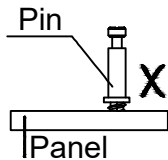
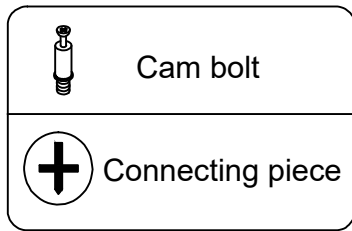


Not provided

| | | | |
|--|--|--|---|
| <p>A</p>  <p>Cam bolt 19PCS</p> | <p>B</p>  <p>Wood dowel 22PCS</p> | <p>C</p>  <p>Cam lock 19PCS</p> | <p>D</p>  <p>#3*12mm Flat head screw 8PCS</p> |
| <p>E</p>  <p>Connecting plastic bar 2PCS</p> | <p>F</p>  <p>#3.5*15mm Flat head screw 16PCS</p> | <p>G</p>  <p>Bracket 16PCS</p> | <p>H</p>  <p>Shelf pin 8PCS</p> |
| <p>I</p>  <p>Hinge 4PCS</p> | <p>J</p>  <p>#3.5*15mm Flat head screw 24PCS</p> | <p>K</p>  <p>handle 2PCS</p> | <p>L</p>  <p>Bolt 4PCS</p> |
| <p>M</p>  <p>Heater 1PCS</p> | <p>M1</p>  <p>L-Brackets 2PCS</p> | <p>M2</p>  <p>Screws 6PCS</p> | <p>M3</p>  <p>LED light bars 2PCS</p> |
| <p>M4</p>  <p>Hook 2PCS</p> | | | |

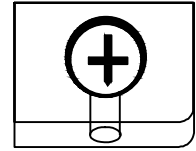
Assembly Steps

CAM BOLT INSTALLATION AS BELOW:



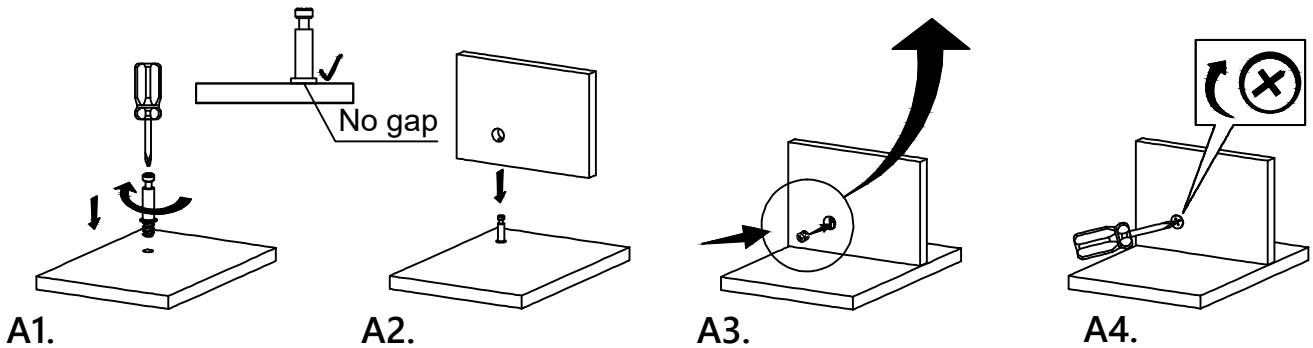
X

Rotate connecting piece if found in the position illustrated above.



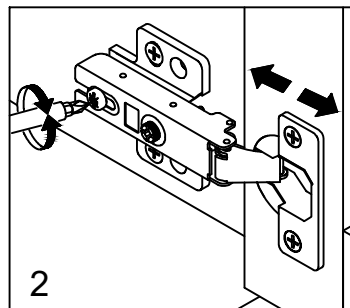
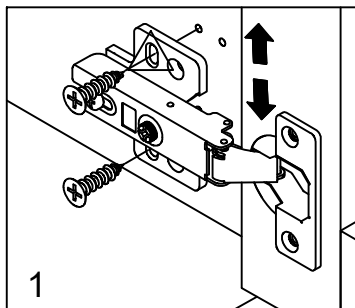
✓

Correct orientation to receive bolts.

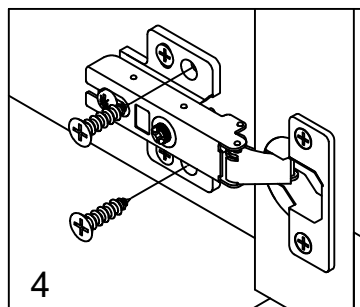
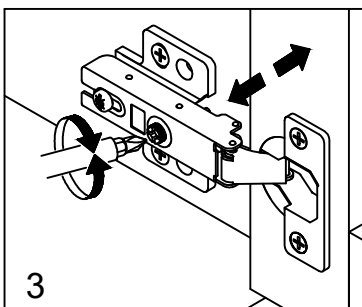


Regarding the installation and adjustment of the door hinge:

1. Use the "waist round hole" marked with a triangle to adjust the position of the door panel (ensure that the gap between the door panel and the upper and lower panels is consistent).
2. Use the screw at the back end of the hinge to adjust the front and back position of the door panel (ensure that the front of the door panel is in the same plane as the upper and lower panels).

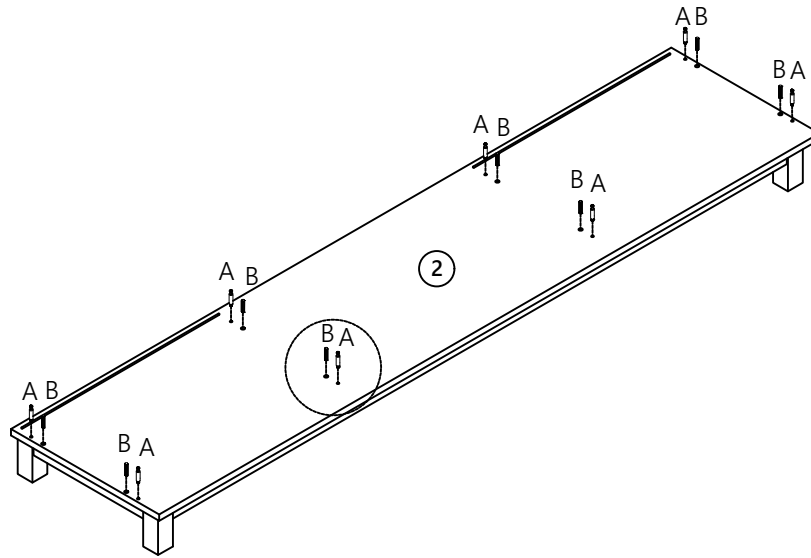


3. Use the screw at the front end of the hinge to adjust the left and right position of the door panel (ensure that the left and right sides of the door panel are in the same plane as the upper and lower panels).
4. After completing these three steps, secure the other two screws on the hinge.



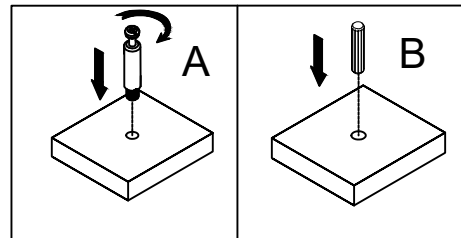
Assembly

STEP1

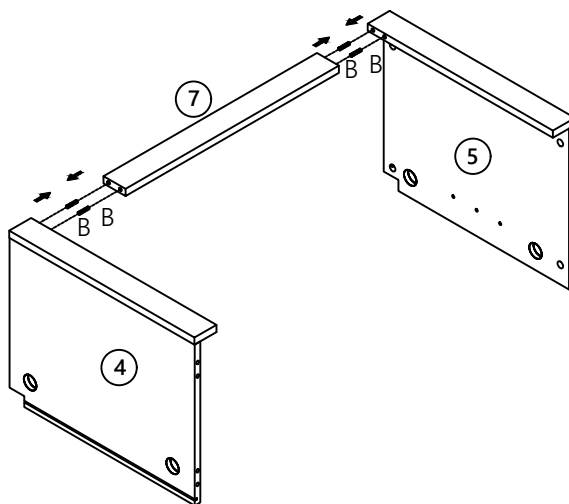


A  Cam bolt 8PCS

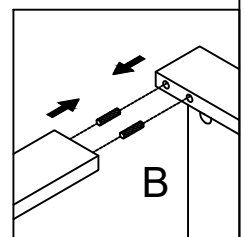
B  Wood dowel 8PCS



STEP2

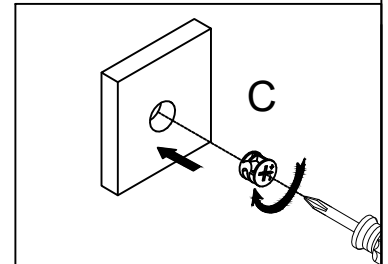
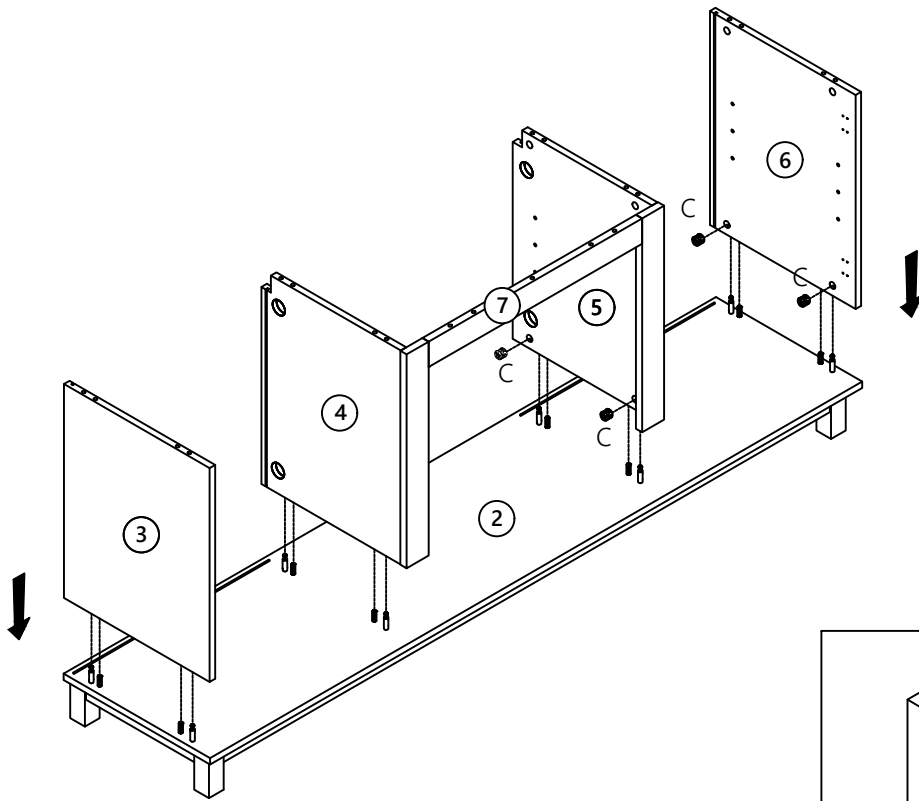


B  Wood dowel 4PCS



Assembly

STEP3

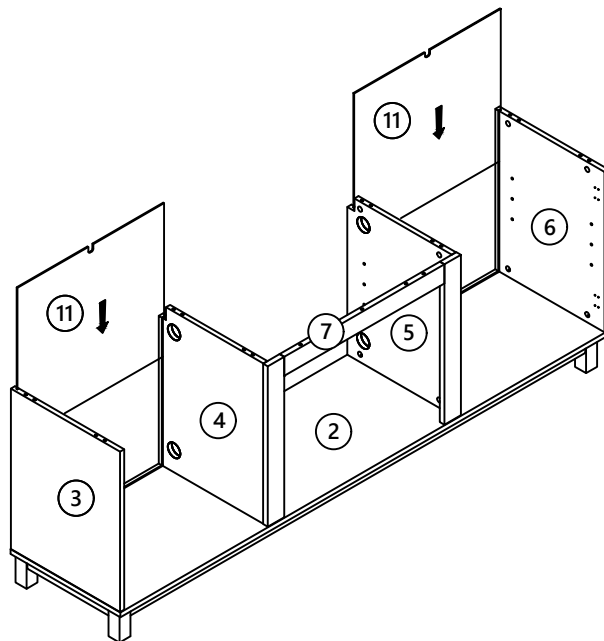


C



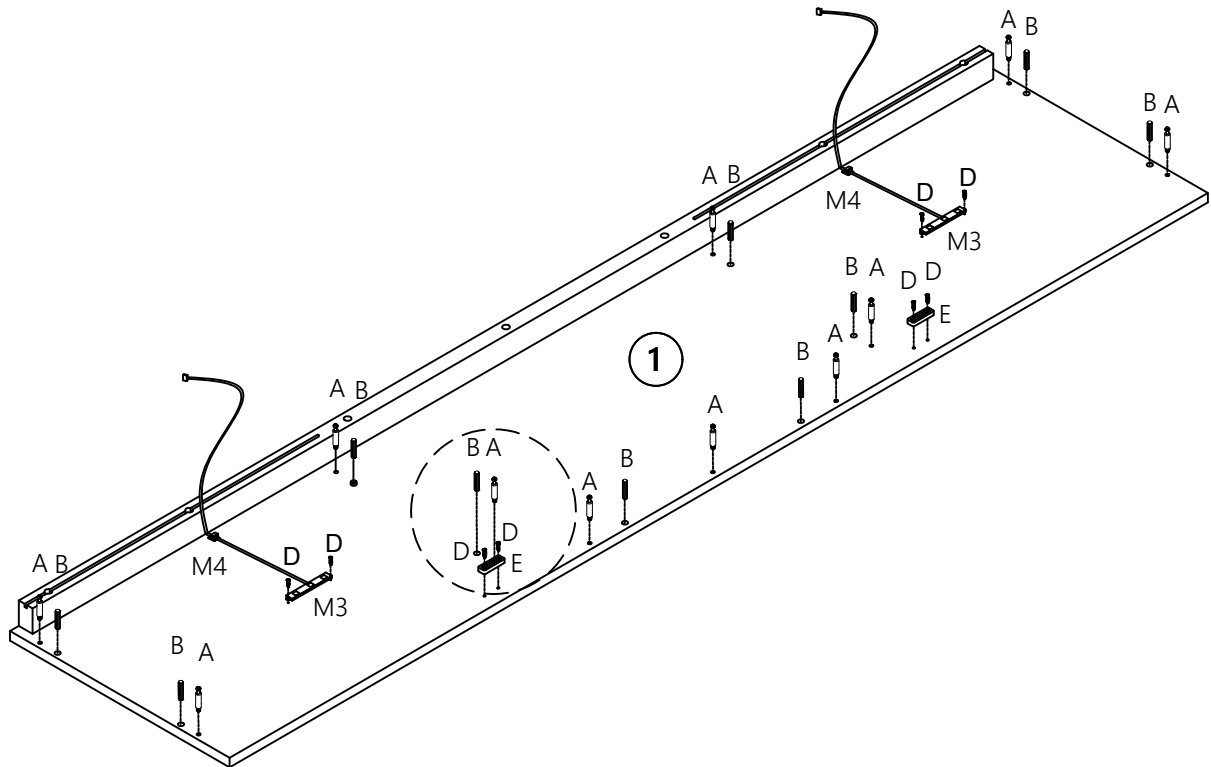
Cam lock 8PCS







STEP4

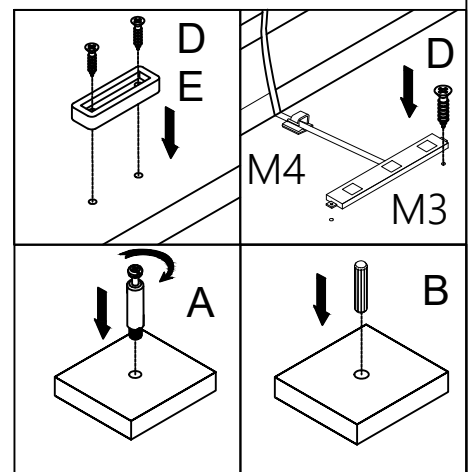


Assembly

STEP5

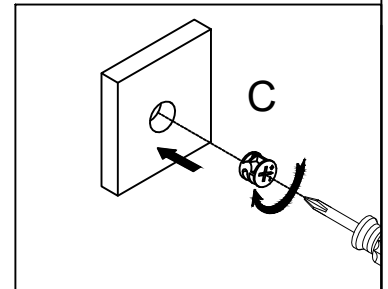
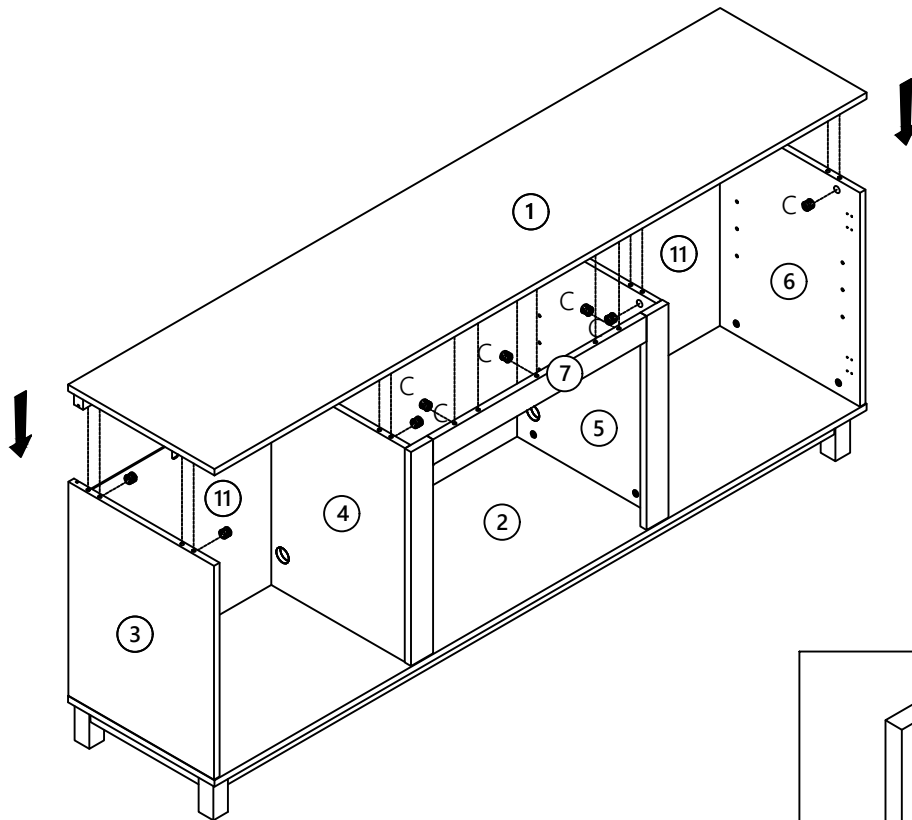


| | | |
|----|---|-----------------------------|
| M3 |  | LED light bars 2PCS |
| M4 |  | Hook 2PCS |
| D |  | Flat head screw 8PCS |
| E |  | Connecting plastic bar 2PCS |
| A |  | Cam bolt 11PCS |
| B |  | Wood dowel 10PCS |



Assembly

STEP6

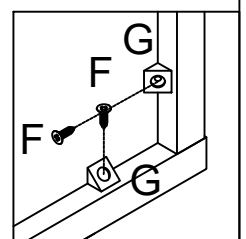
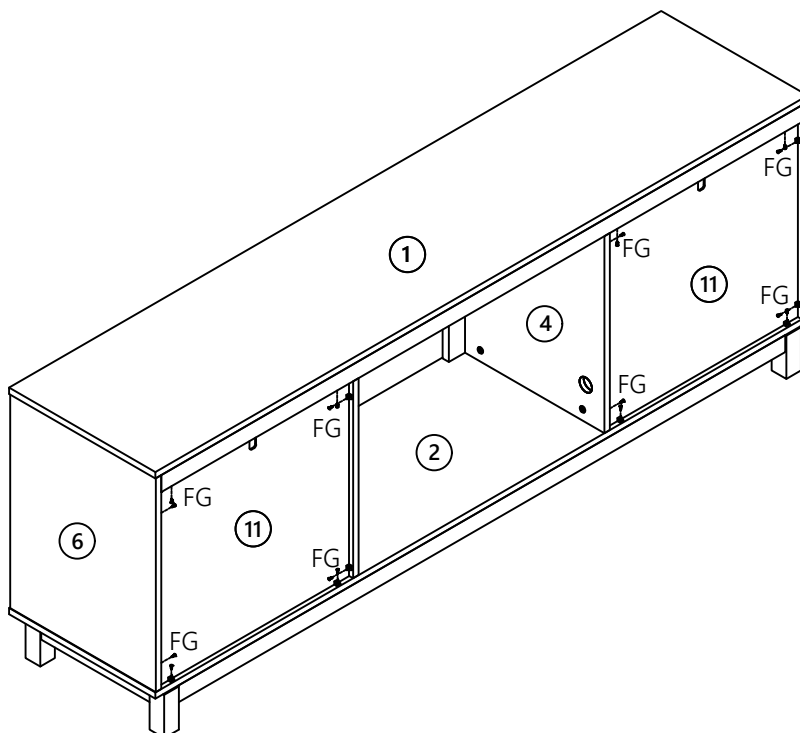


C



Cam lock 11PCS

STEP7



F



Flat head screw 16PCS

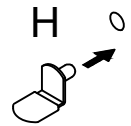
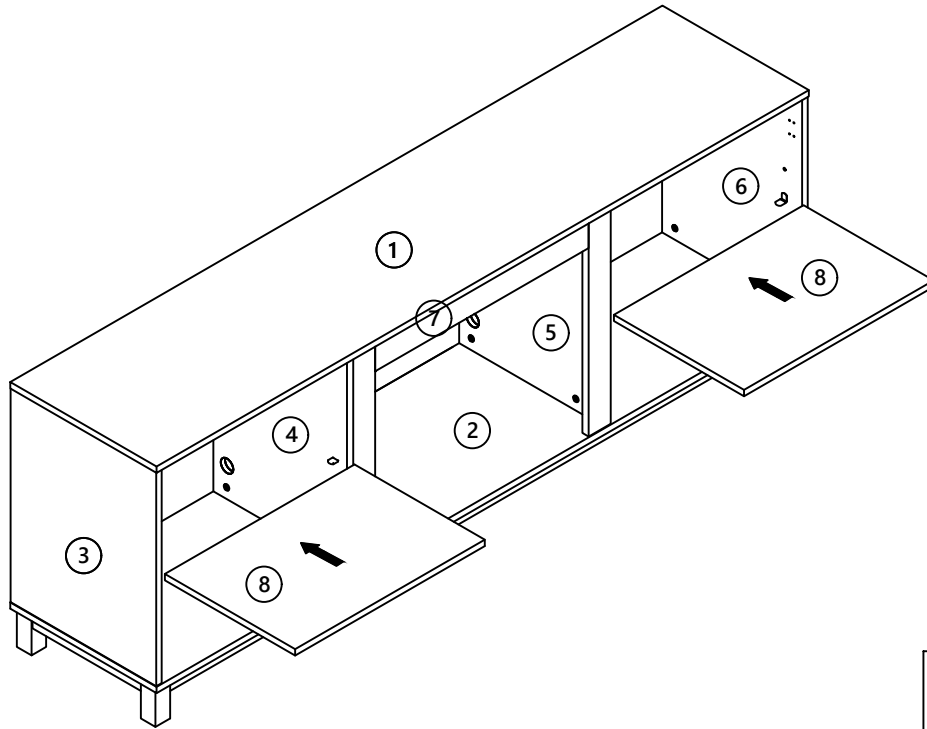
G



Bracket 16PCS

Assembly

STEP8

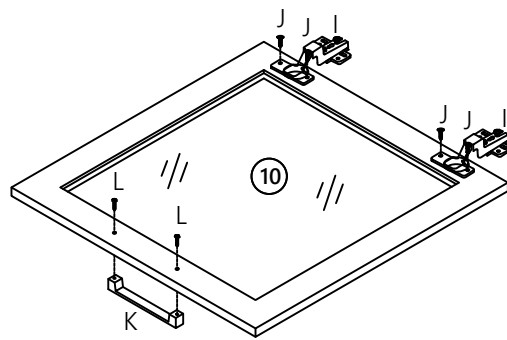
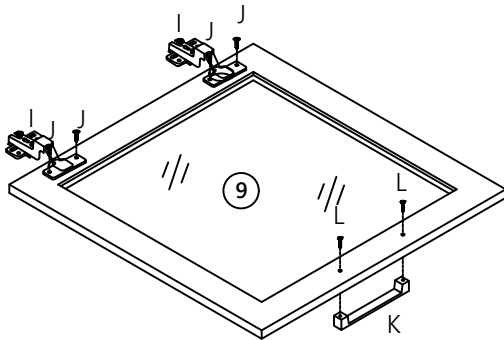


H



Shelf pin 8PCS

STEP9



I



Hinge 4PCS

J



Flat head screw 8PCS

K

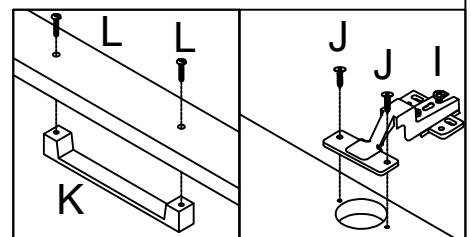


handle 2PCS

L

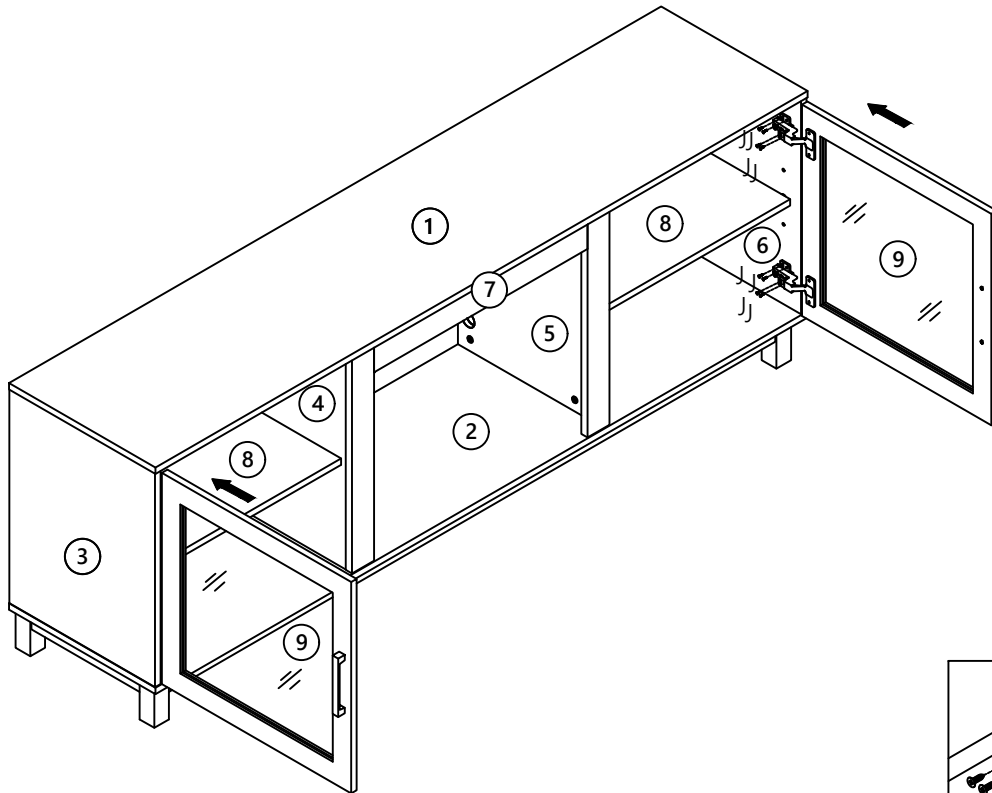


Bolt 4PCS



Assembly

STEP10

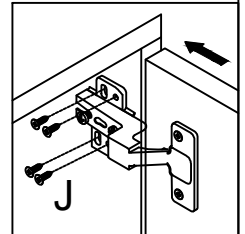


J

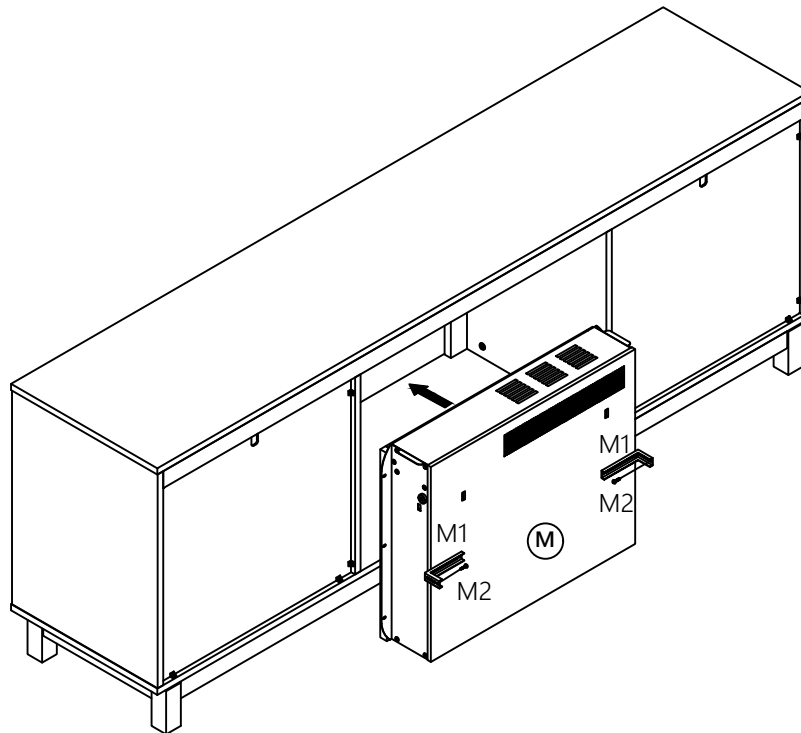


Flat head screw 16PCS

J



STEP11



M



Heater 1PCS

M2



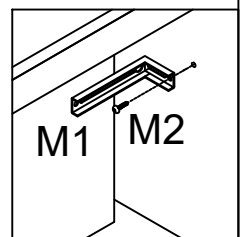
L-Brackets 2PCS

M1



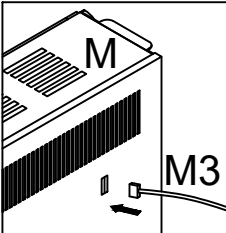
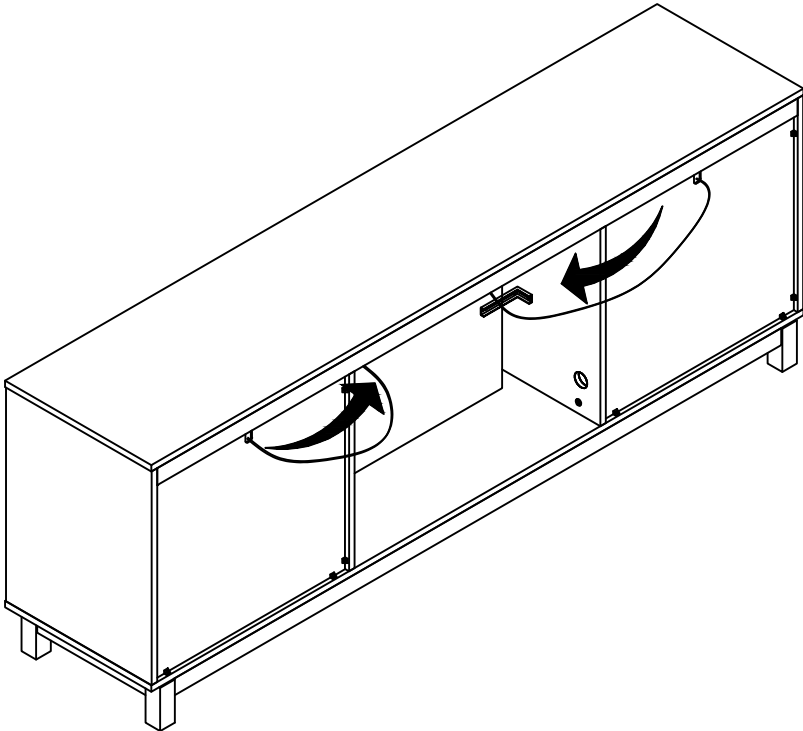
Screws 2PCS

M1 M2

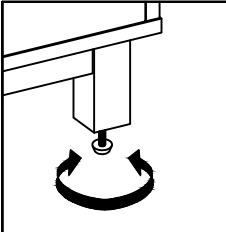
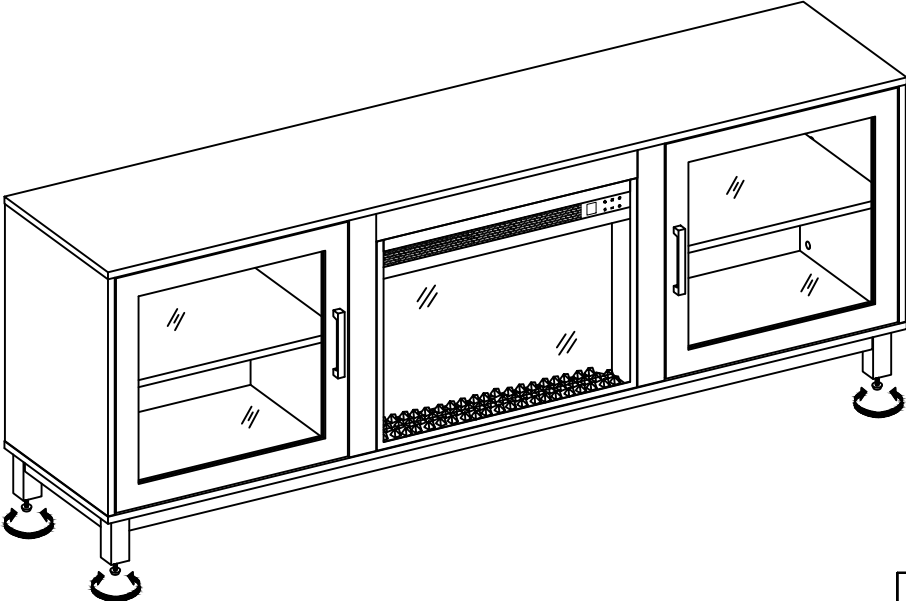


Assembly

STEP12

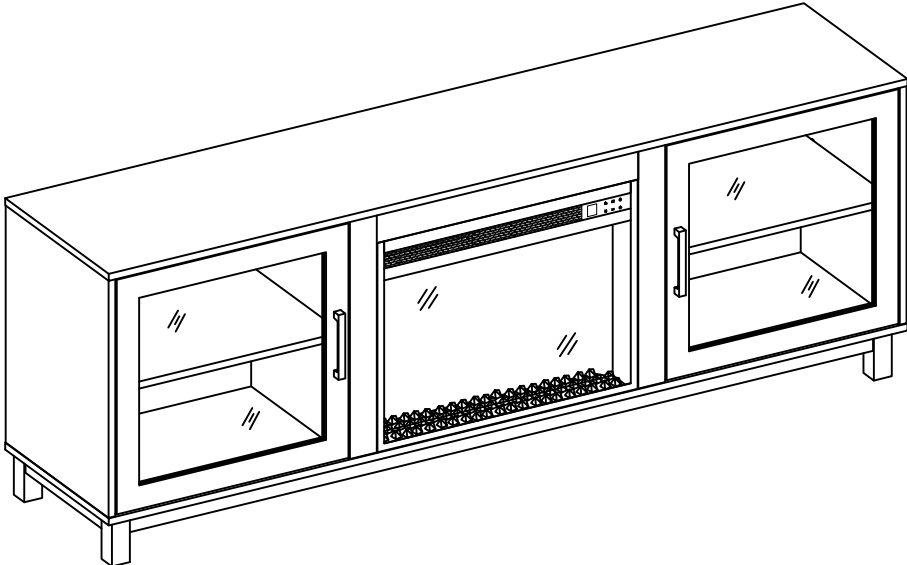


STEP13



Assembly

STEP14





WARNING



Children have died from furniture tipover. To reduce the risk of furniture tipover:

- . ALWAYS install tipover restraint provided.
- . NEVER allow children to stand, climb or hang on drawers, doors, or shelves.
- . Place heaviest items in the lowest drawers.
- . When using power supply , pay attention to the safety of electricity