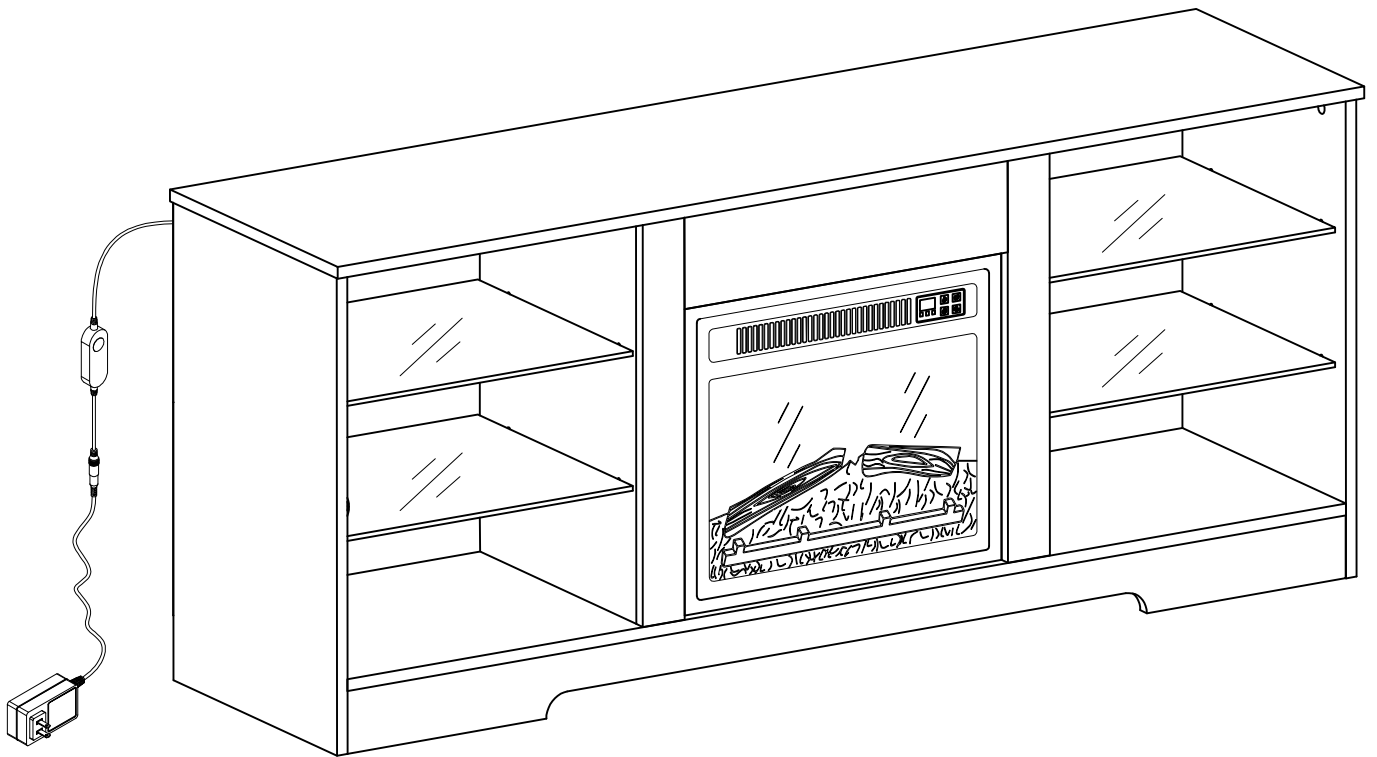
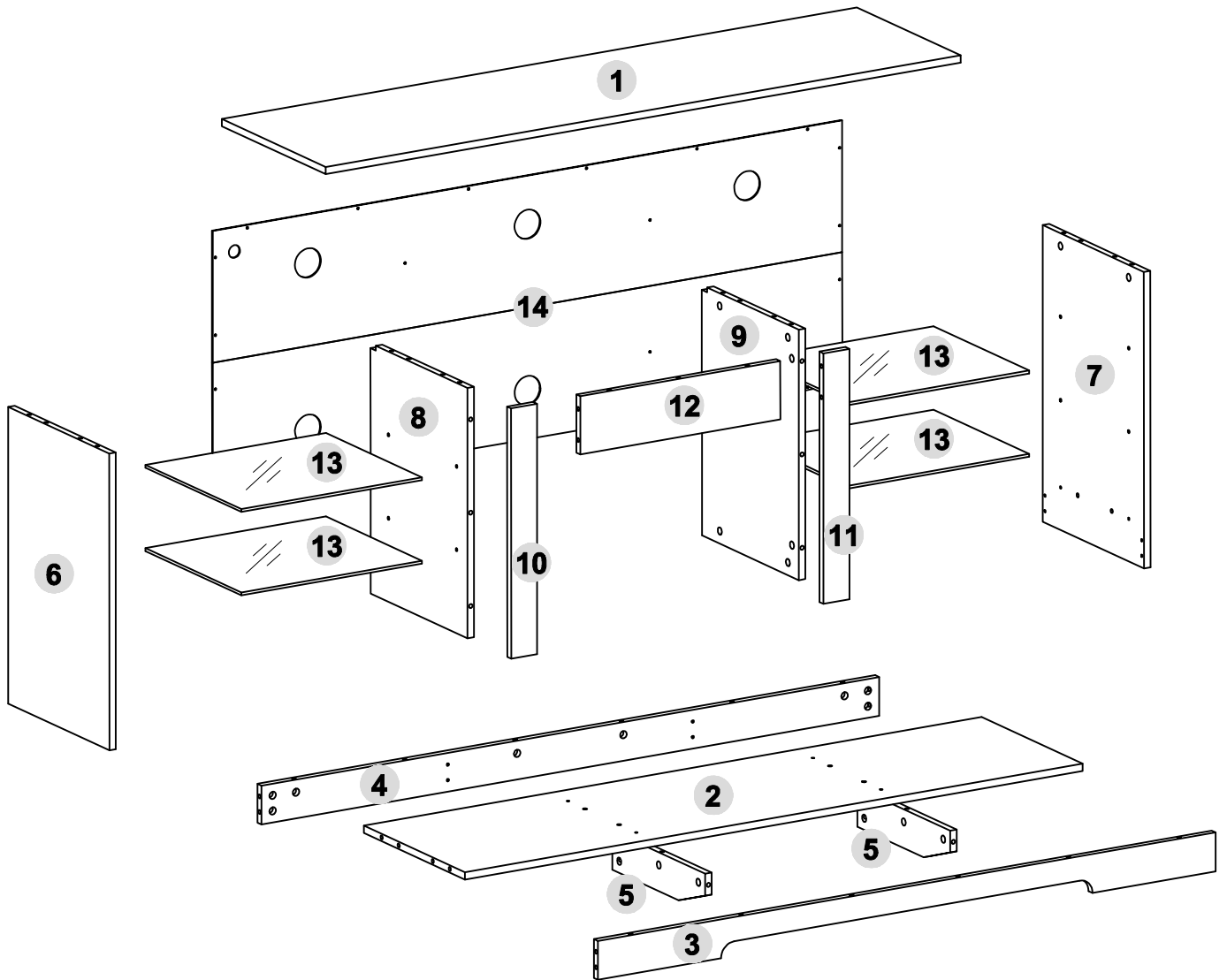


ASSEMBLY INSTRUCTIONS



PACKAGE INCLUDE



PART IDENTIFICATION



1

1x



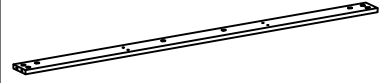
2

1x



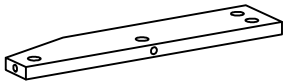
3

1x



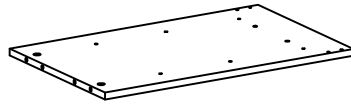
4

1x



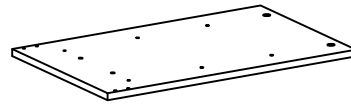
5

2x



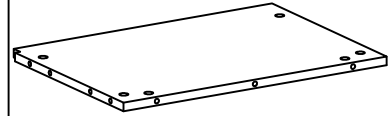
6

1x



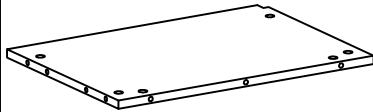
7

1x



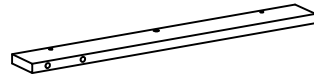
8

1x



9

1x



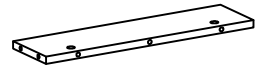
10

1x



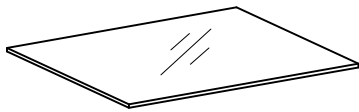
11

1x



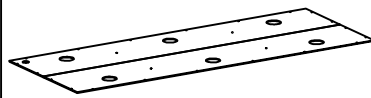
12

1x



13

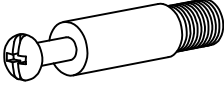

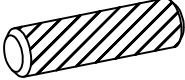
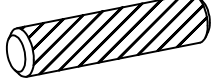
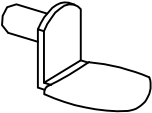

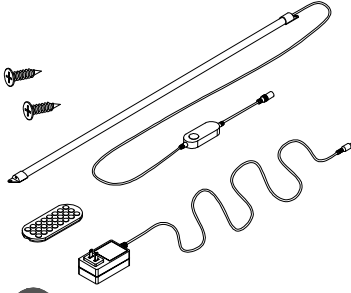
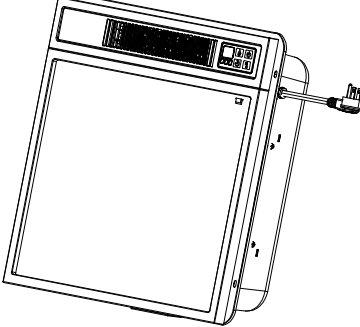
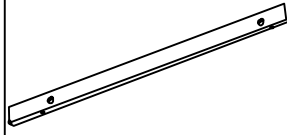
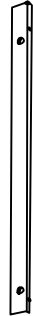

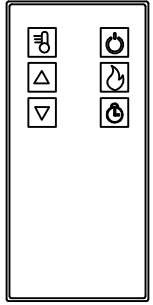
4x



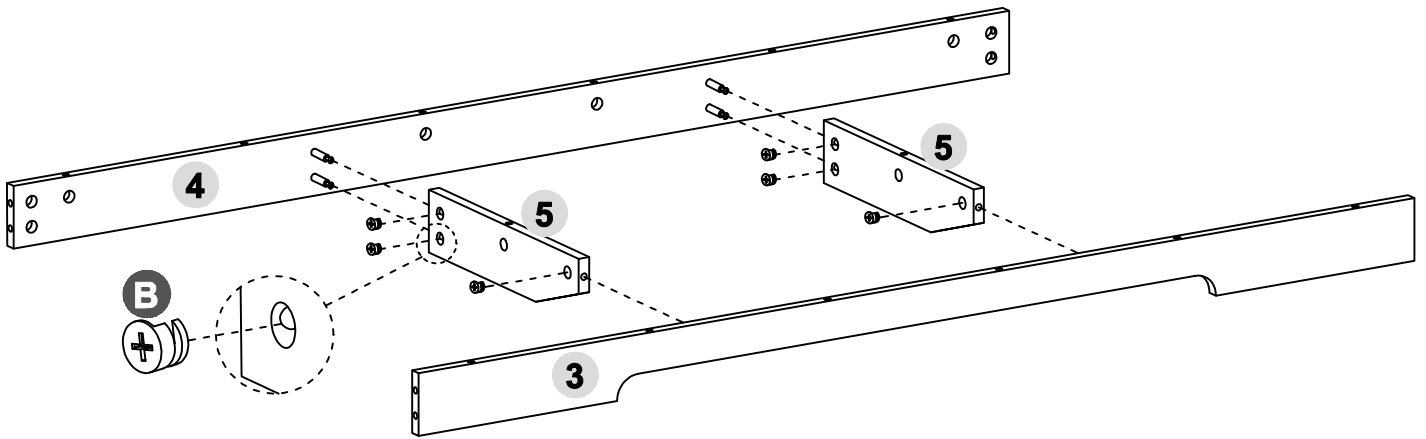
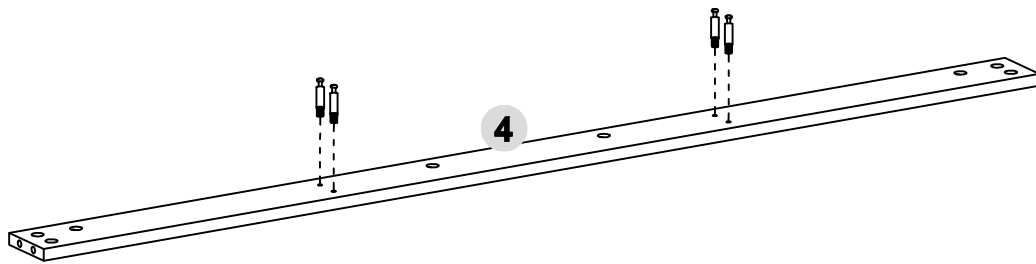
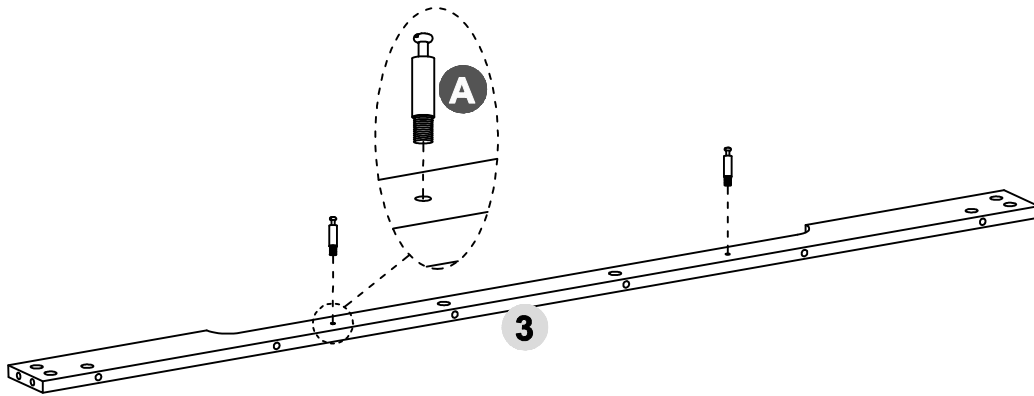
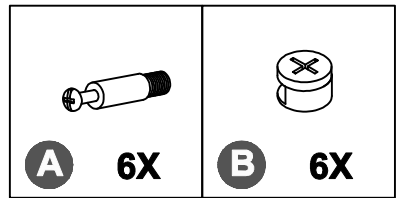
14

1x

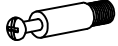

PACKAGE CONTENT

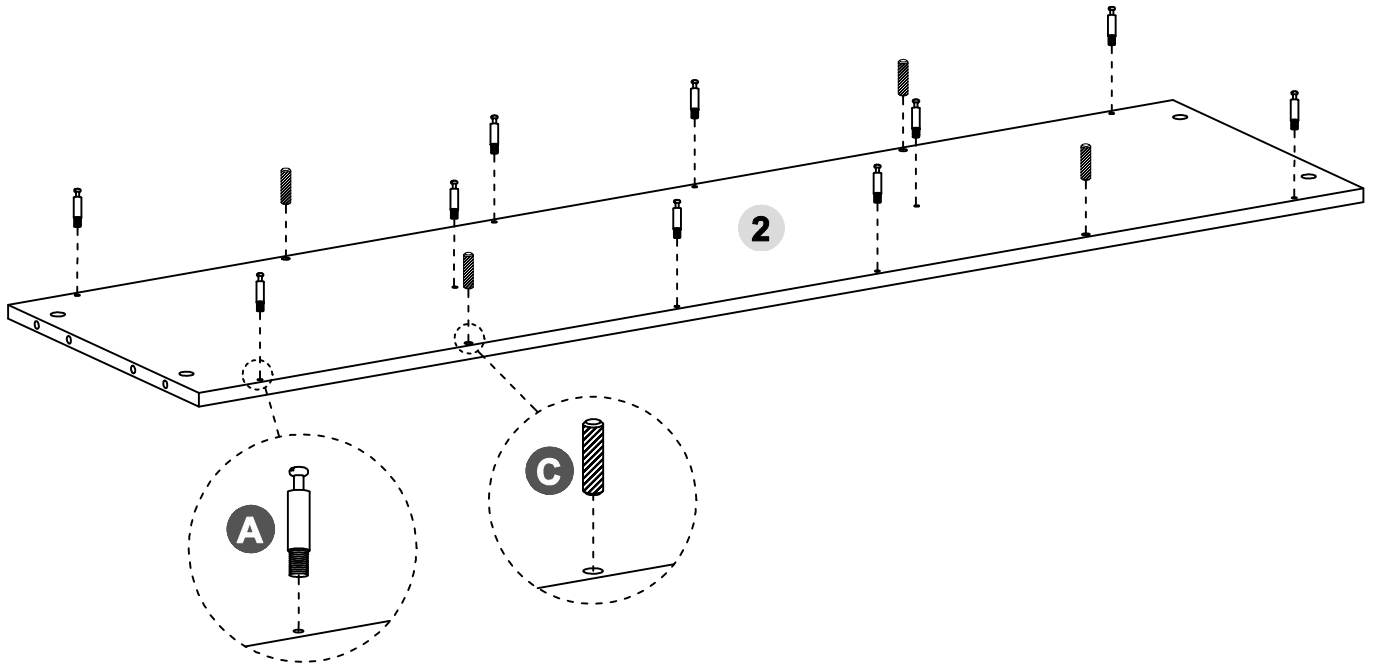
 <p>A 46x+1</p>	<p>Ø15x11MM</p>  <p>B 46x+1</p>	<p>Ø8x30MM</p>  <p>C 23x+1</p>	<p>Ø8x40MM</p>  <p>D 4x+1</p>	
 <p>E 16x</p>	<p>Ø3x14MM</p>  <p>F 24x+1</p>	 <p>G 1x</p>		
 <p>Fireplace Unit</p> <p>W 1x</p>	 <p>Top Trim</p> <p>X 1x</p>	 <p>Side Trim</p> <p>Y 2x</p>	 <p>Screw</p> <p>Z 12x</p>	 <p>Remote Control</p> <p>H 1x</p>

STEP 1

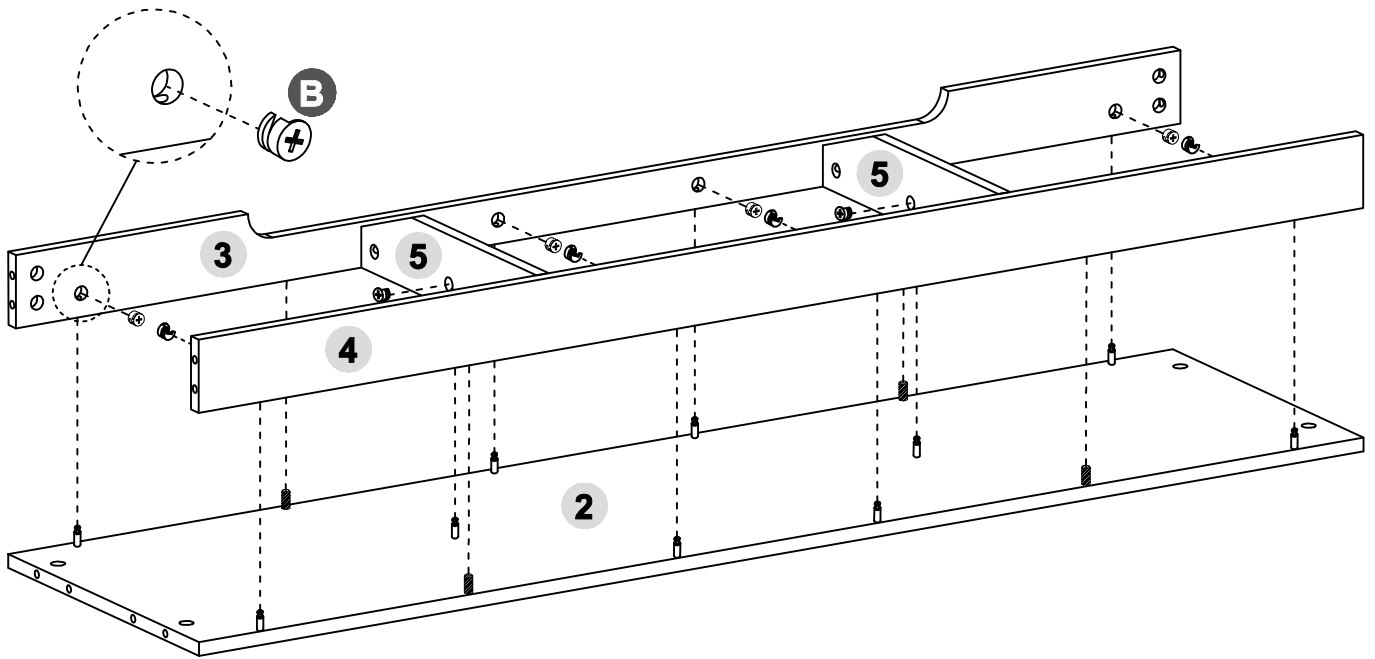
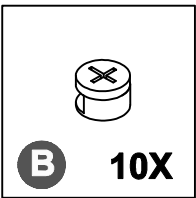


STEP 2

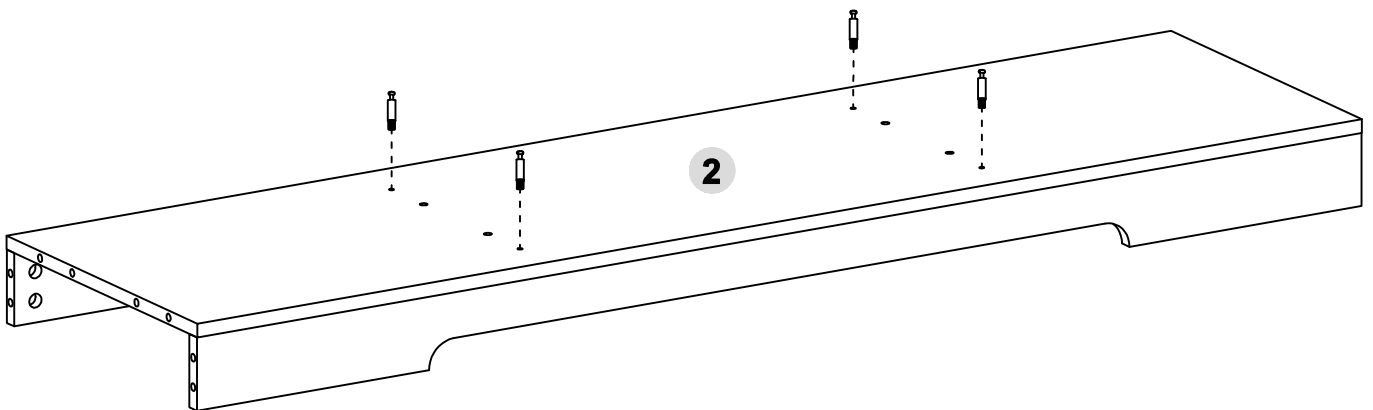
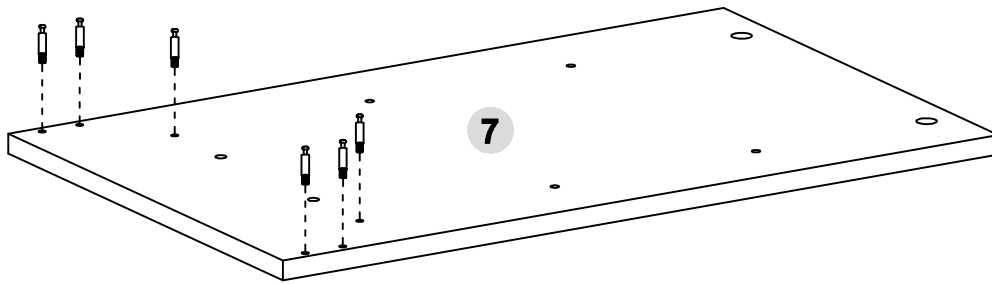
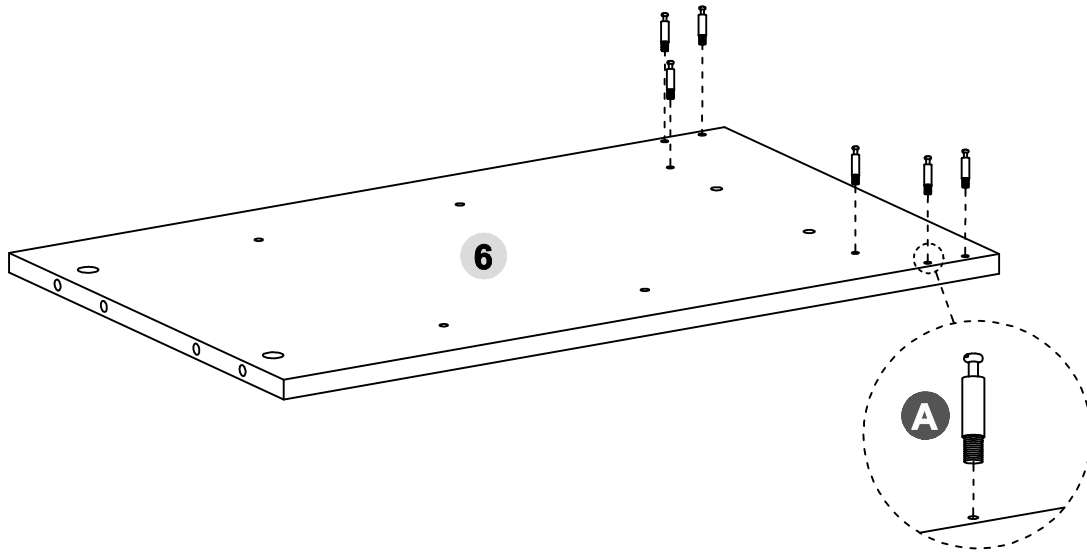
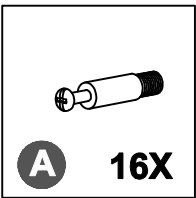
	
A 10X	C 4X



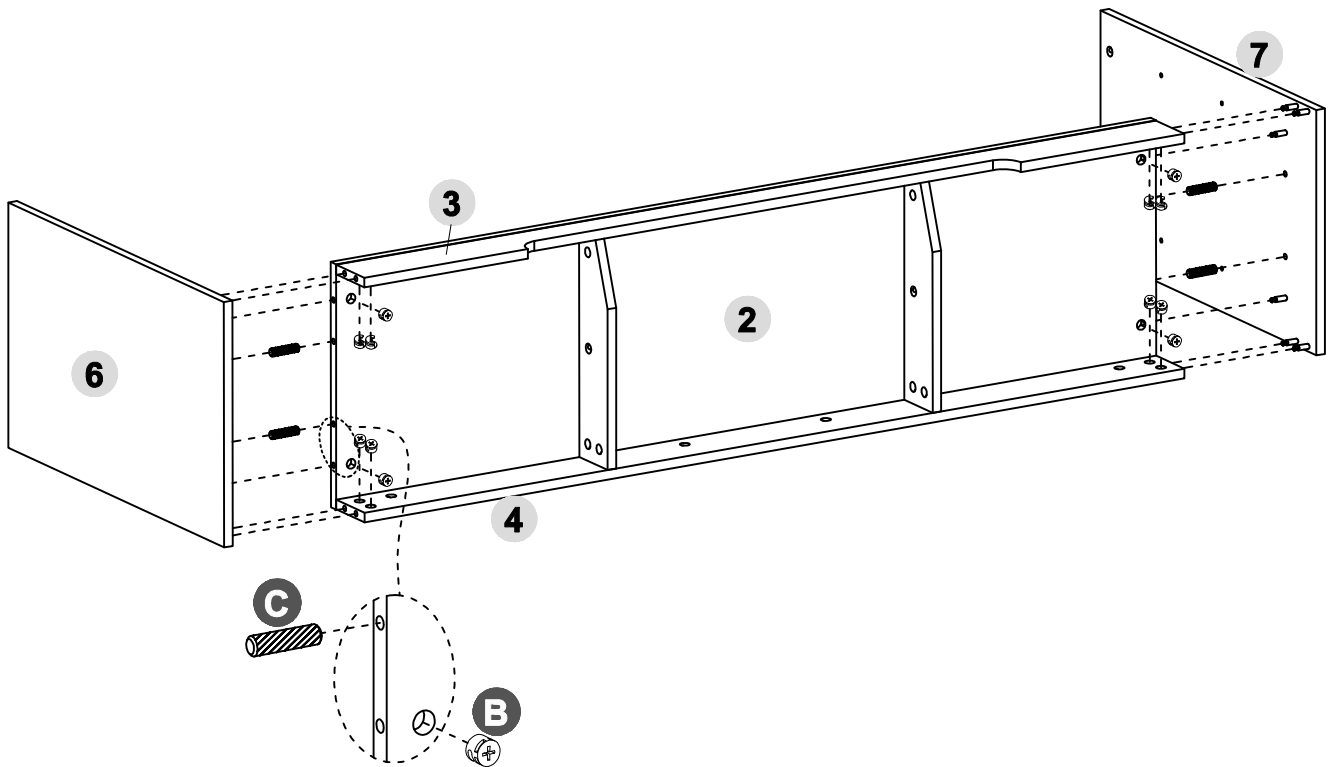
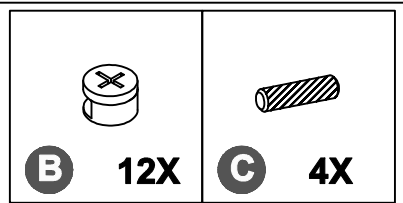
STEP 3






STEP 4

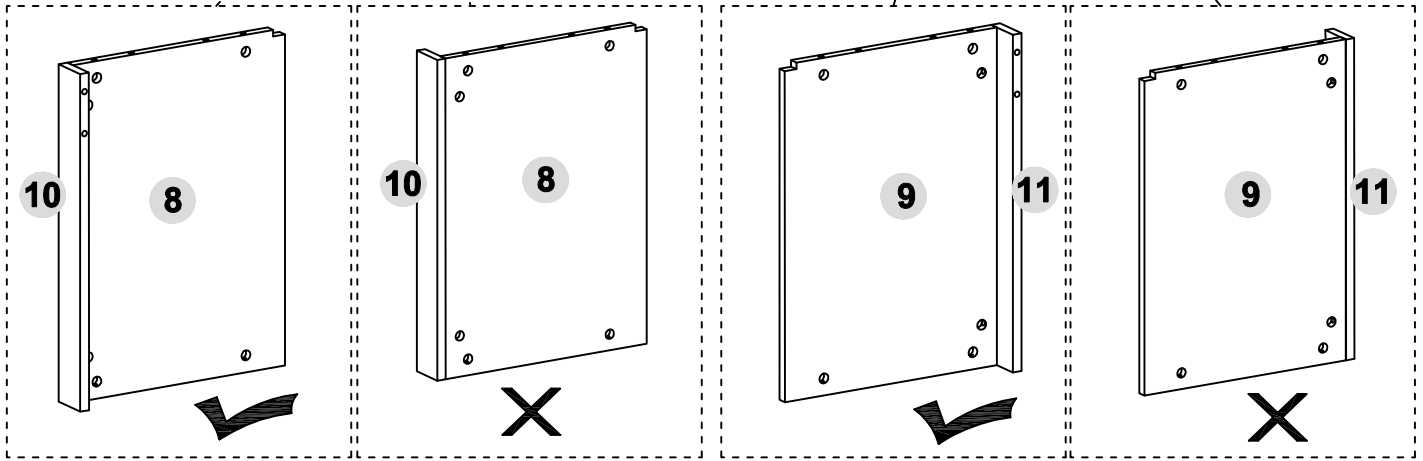
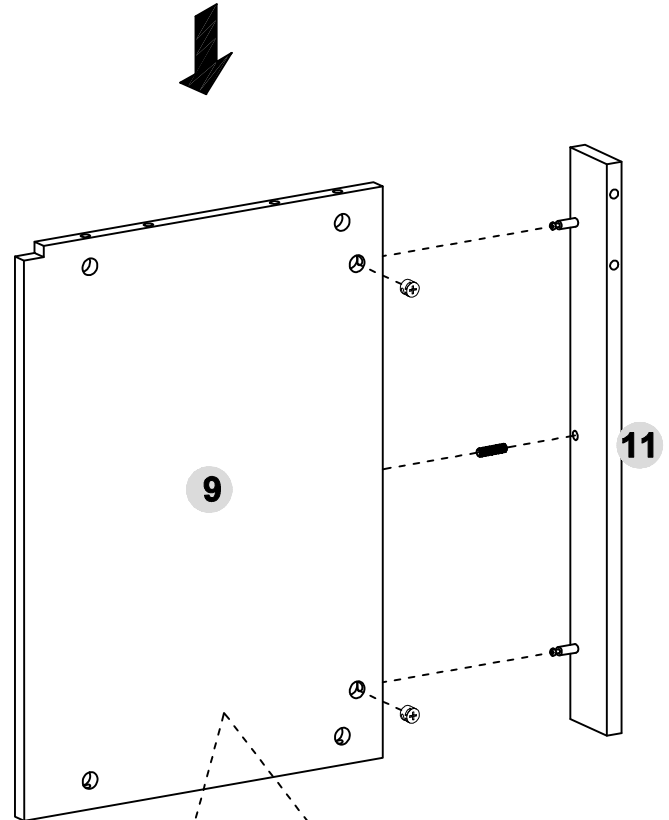
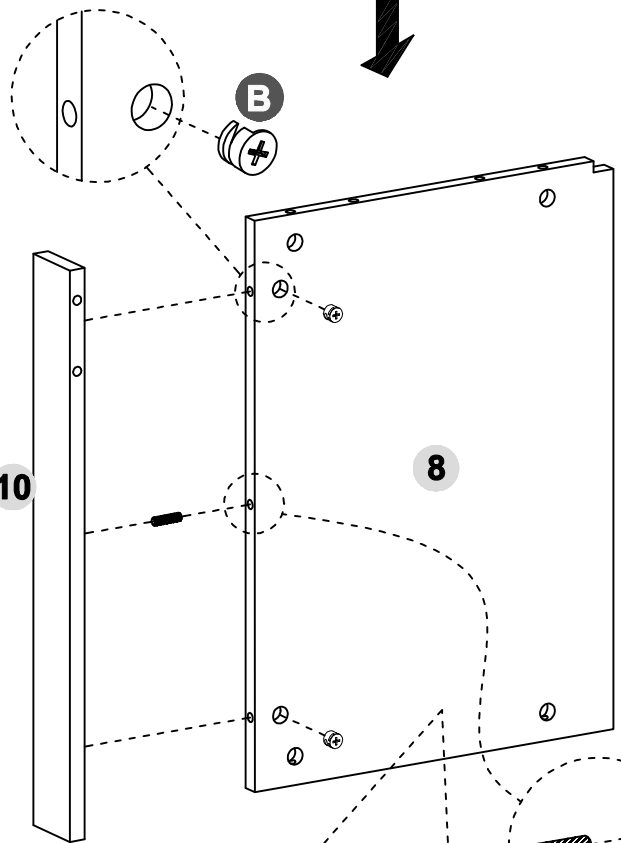
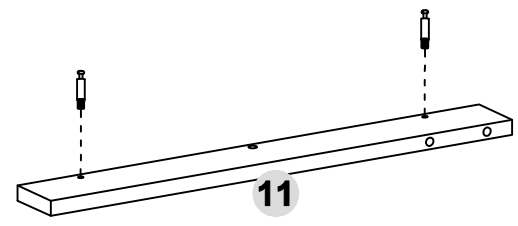
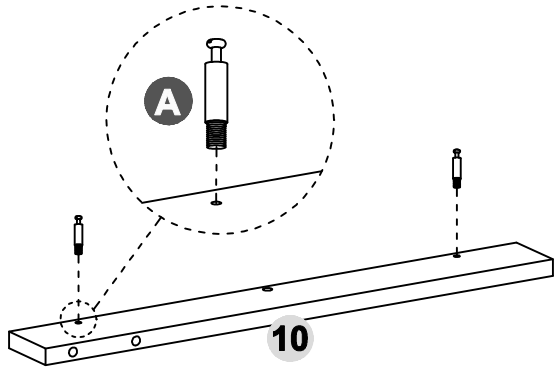


STEP 5

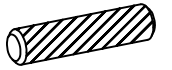


STEP 6

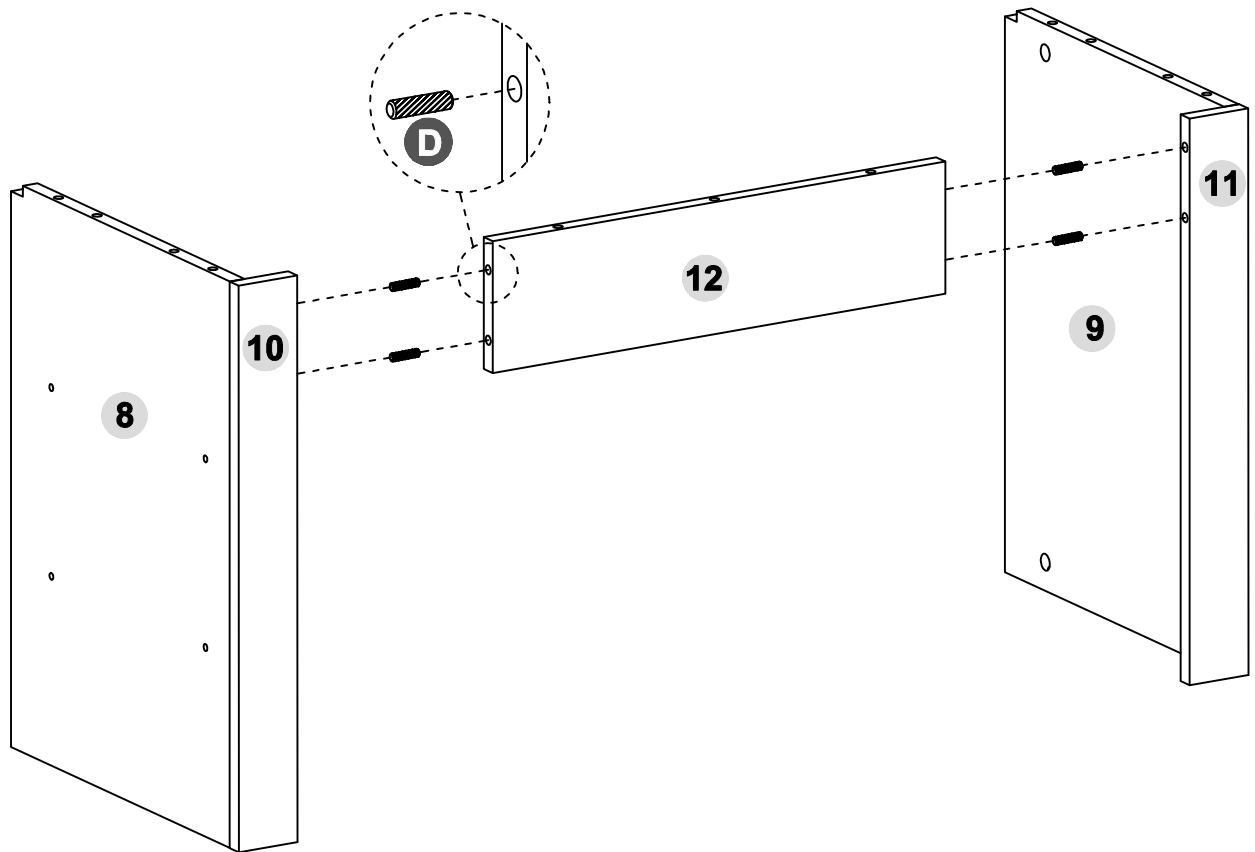
 A 4X	 B 4X	 C 2X
---	--	--



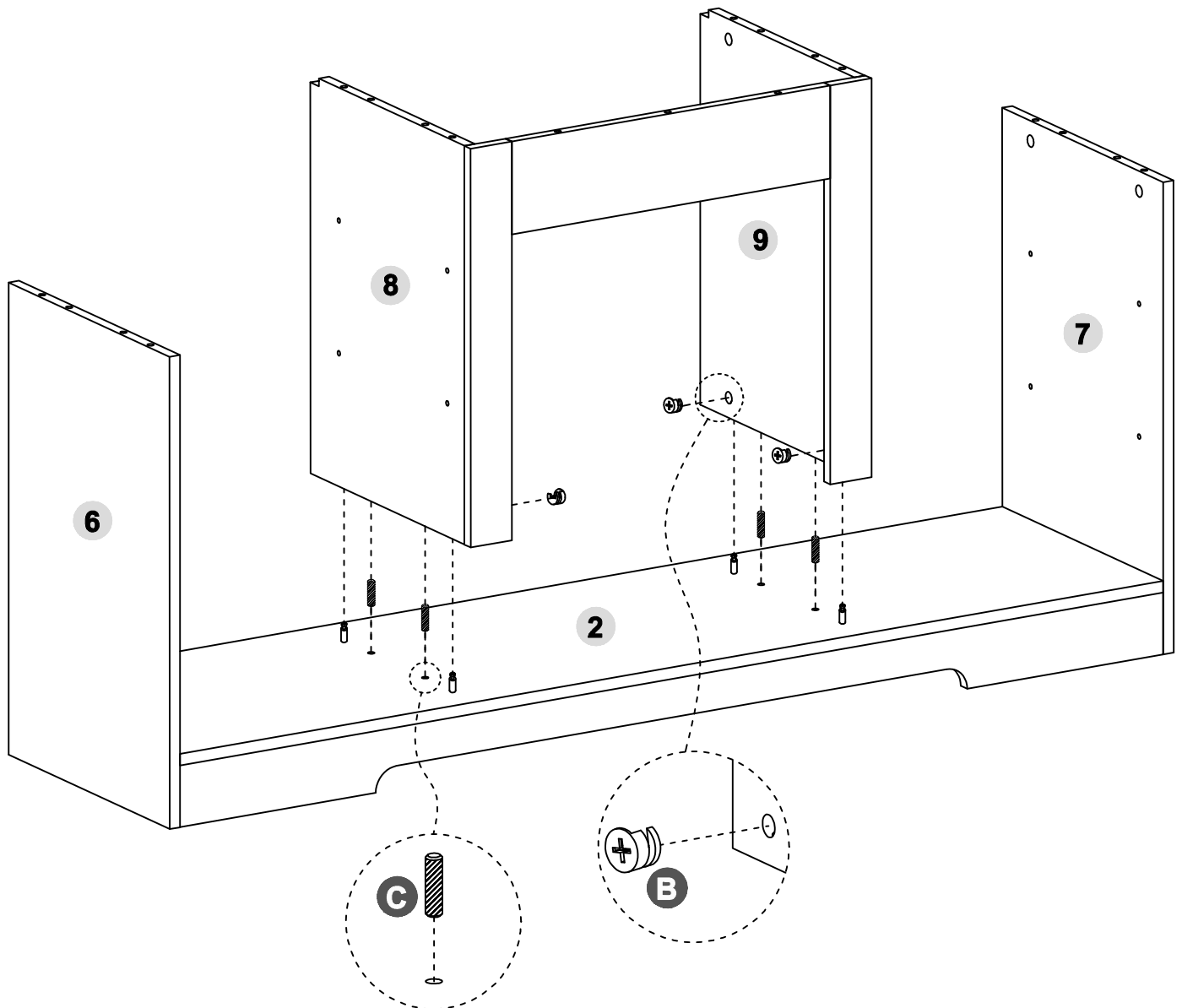
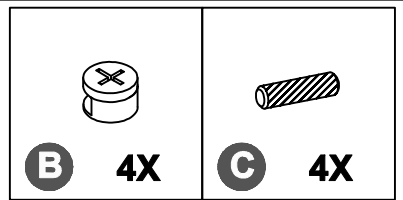
STEP 7



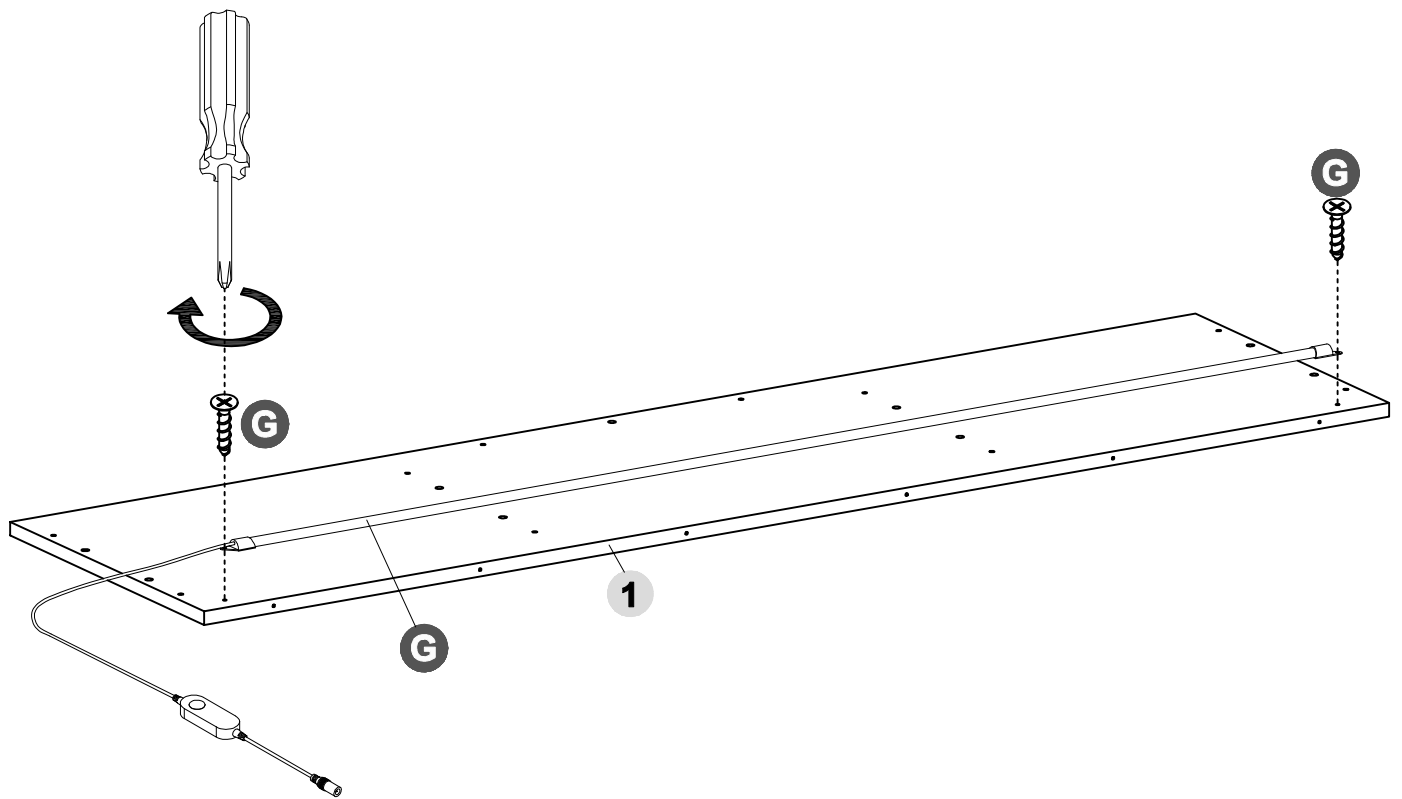
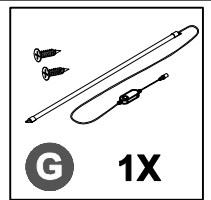
D 4X






STEP 8

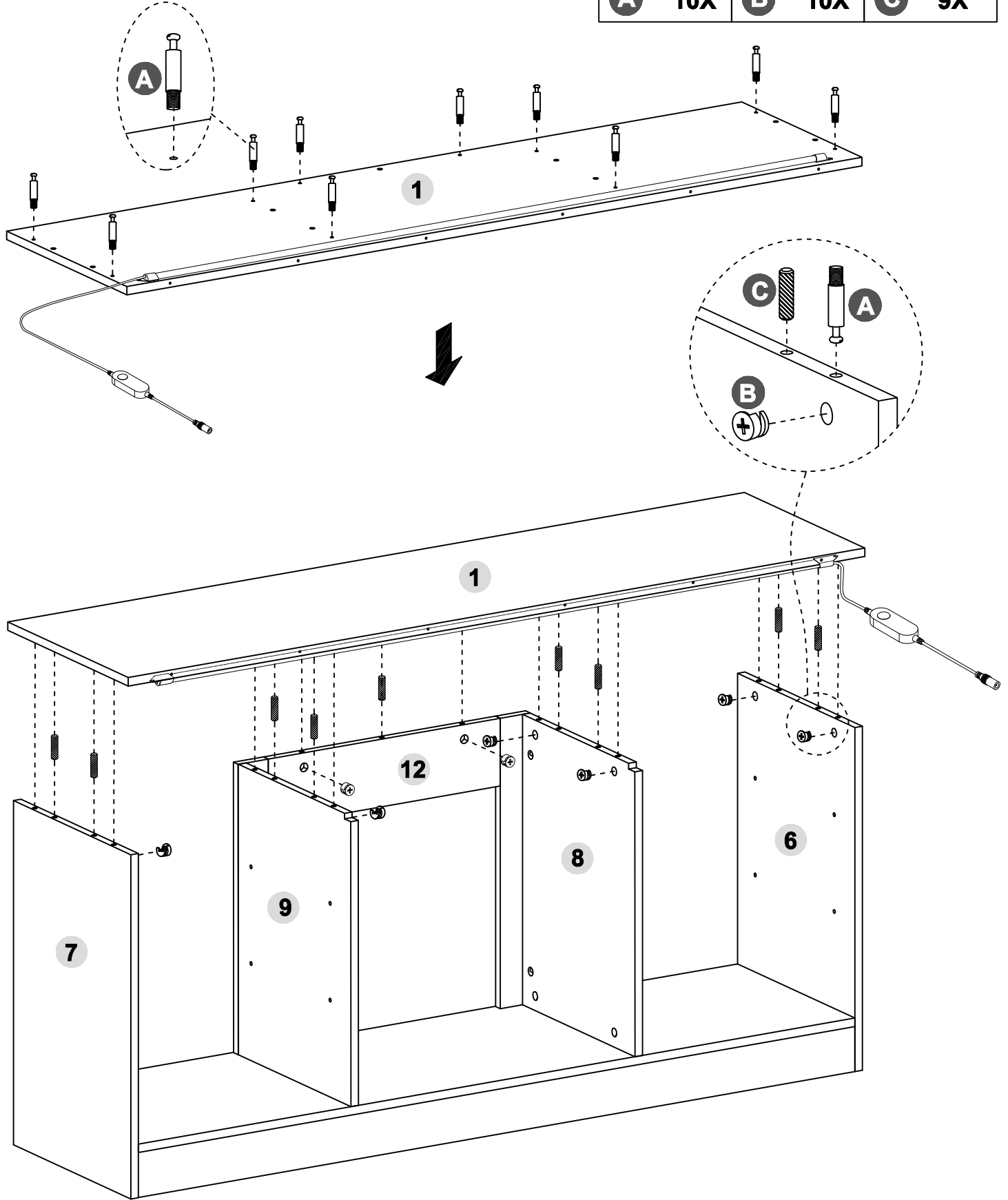


STEP 9

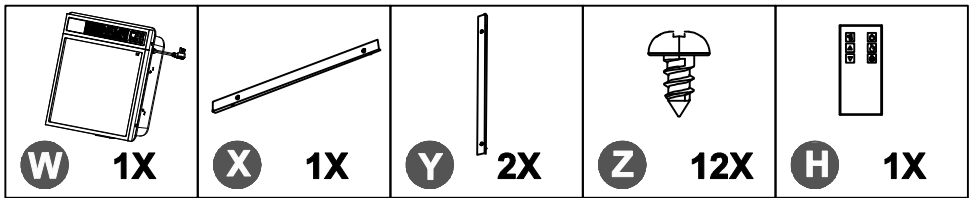


STEP 10

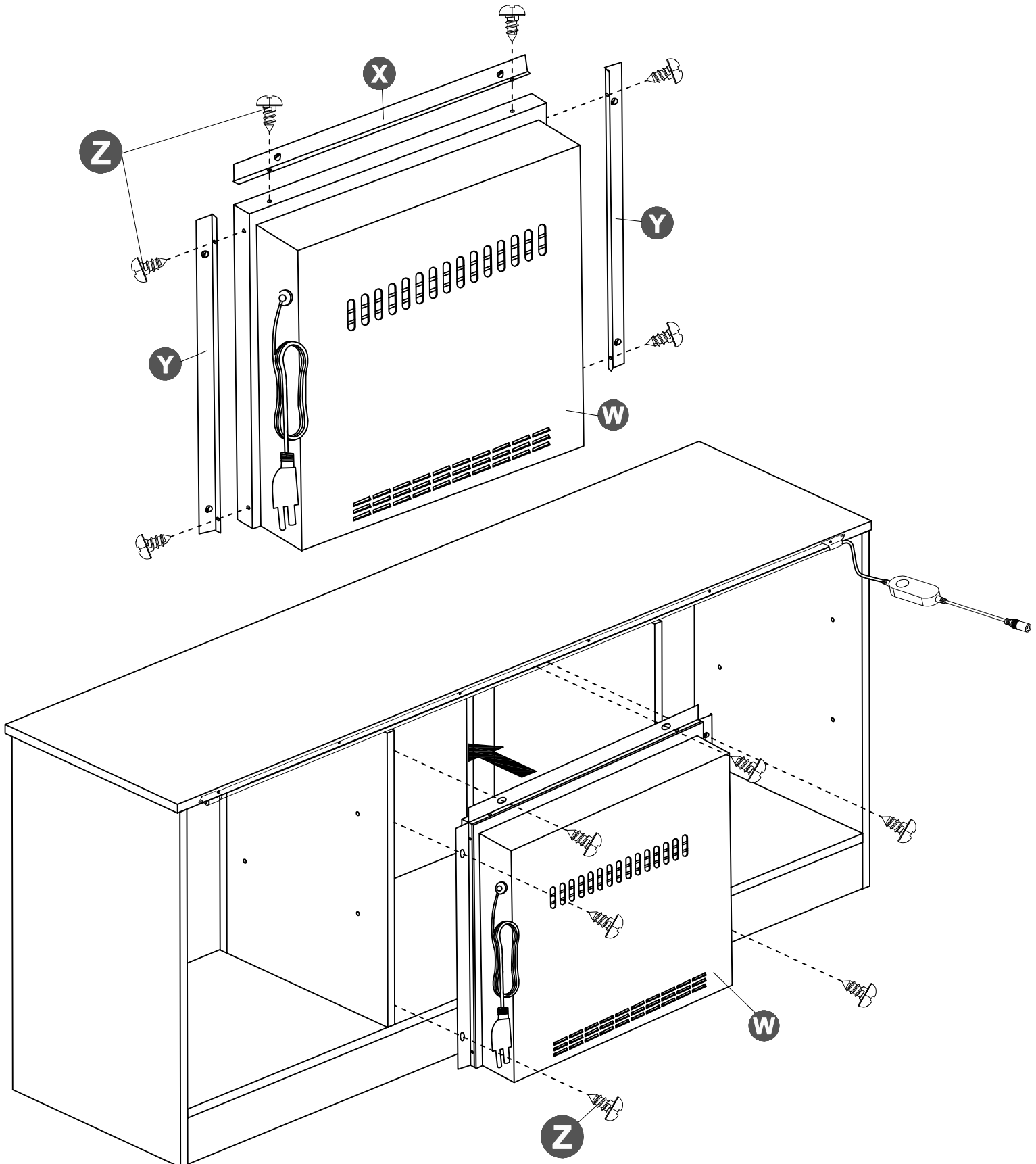
		
A 10X	B 10X	C 9X



STEP 11


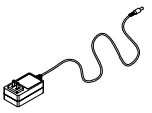


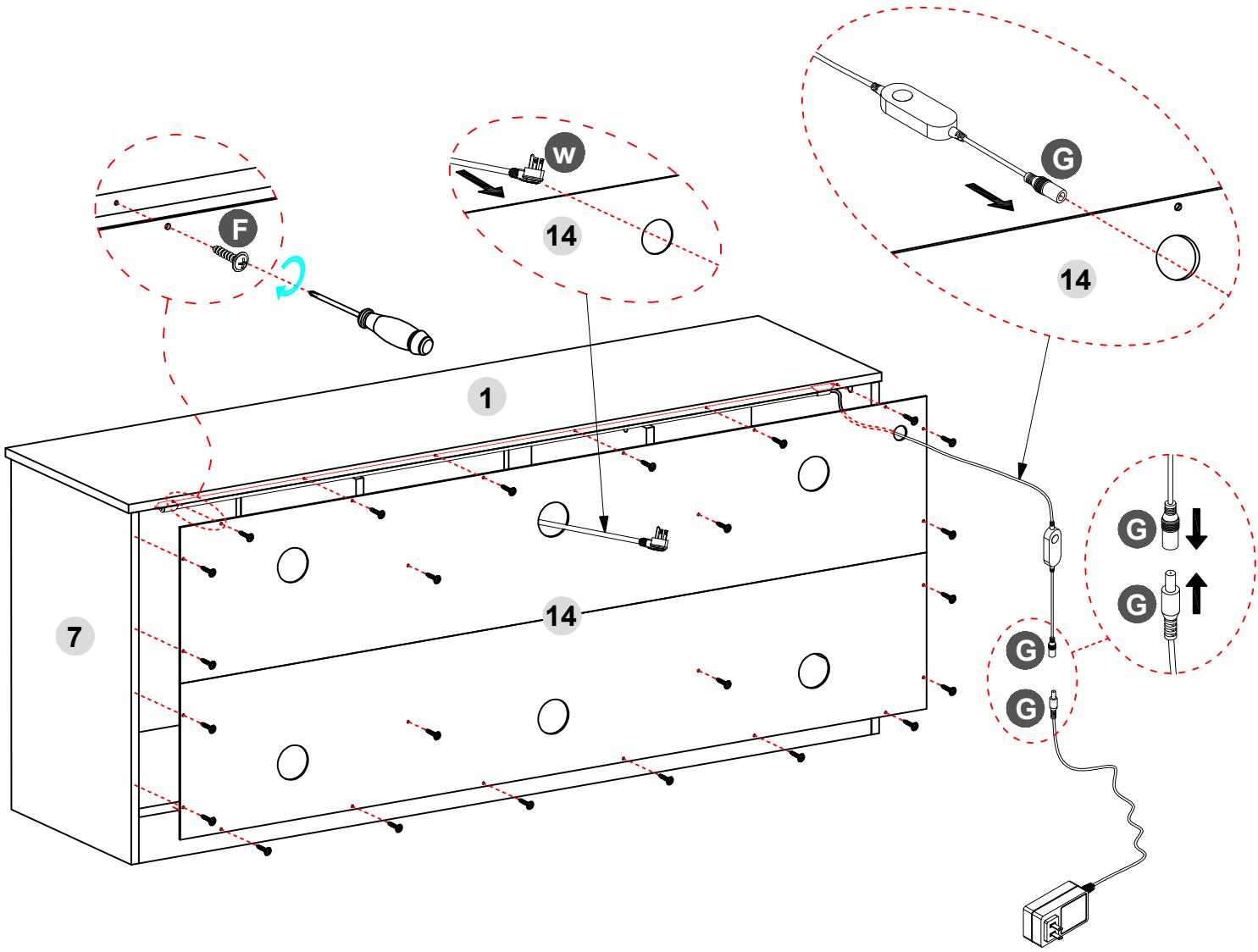
NOTE: Make sure two side trims are installed correctly.



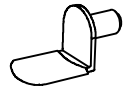
NOTE: Do not attempt to install the unit from the front of the mantel. It will not fit.

STEP 12

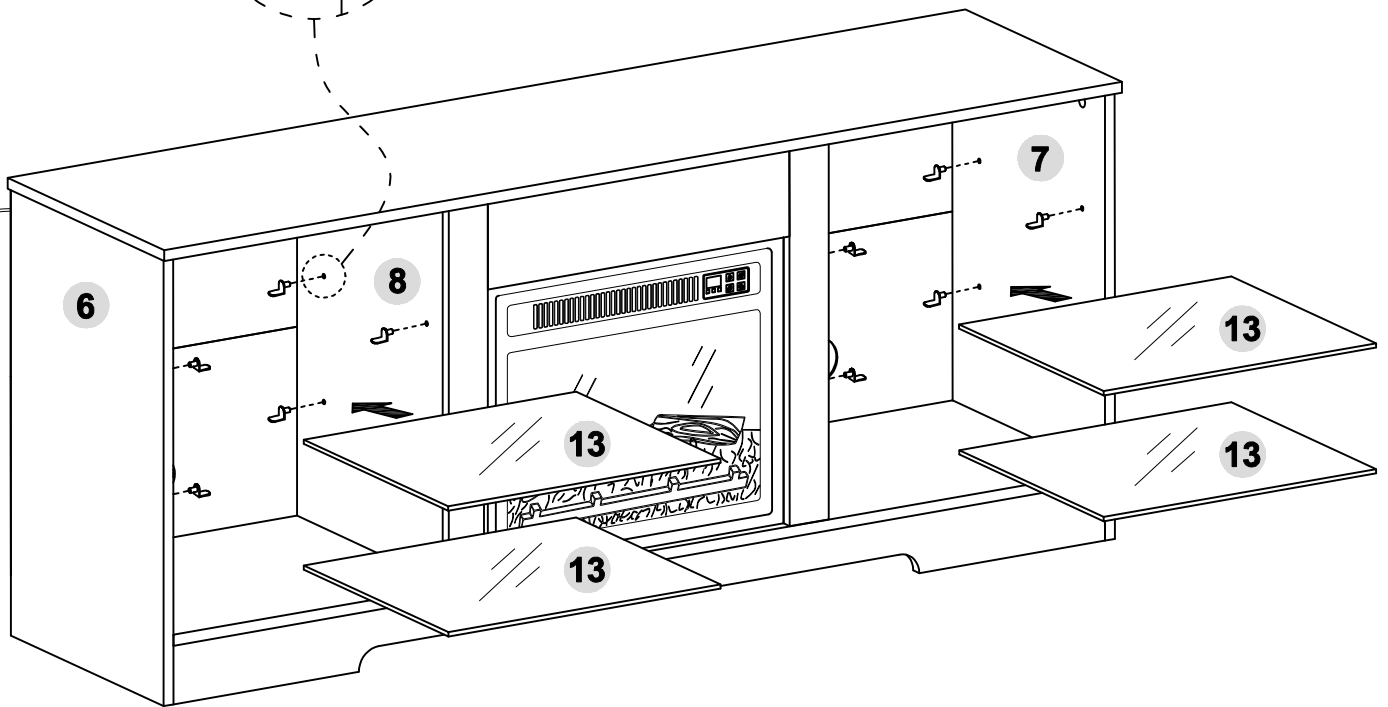
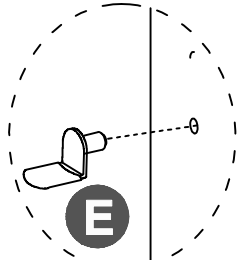
	
F 24X	G 1X



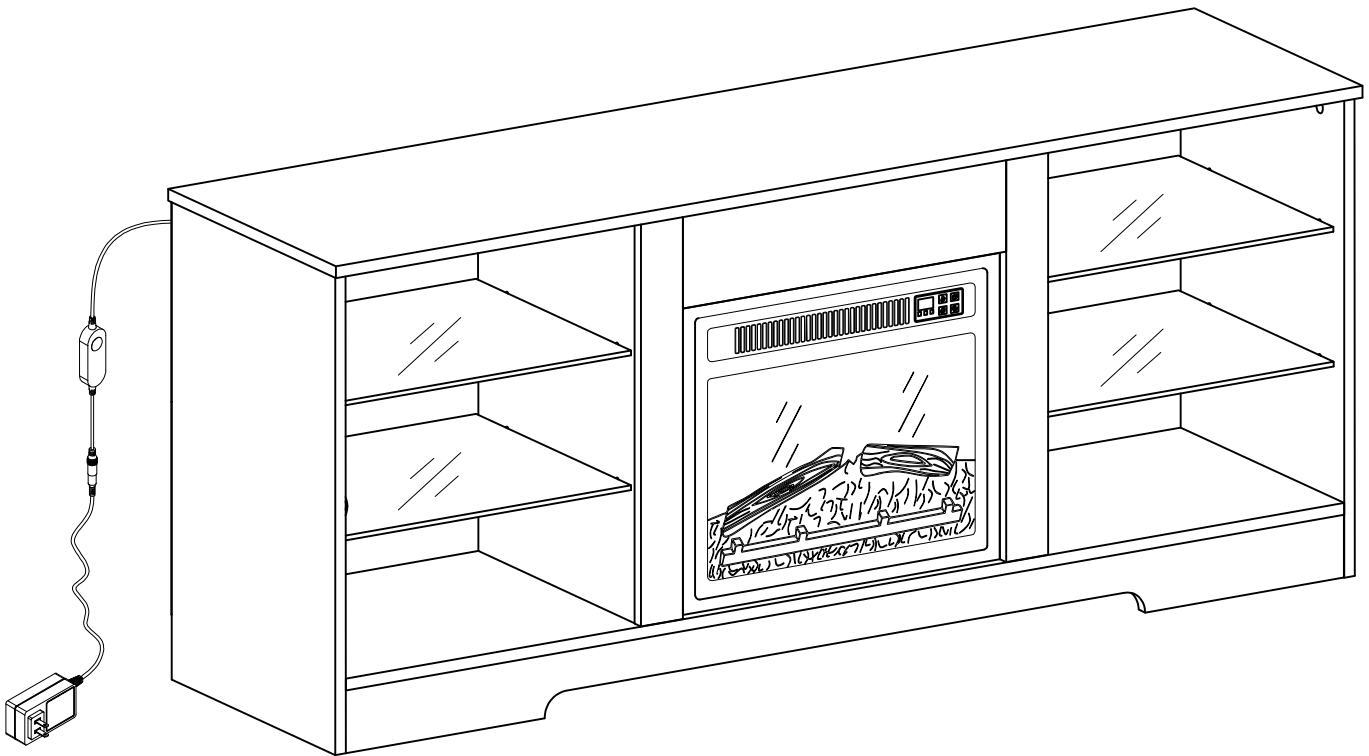
STEP 13



E 16X



STEP 14



Congratulations on doing it.