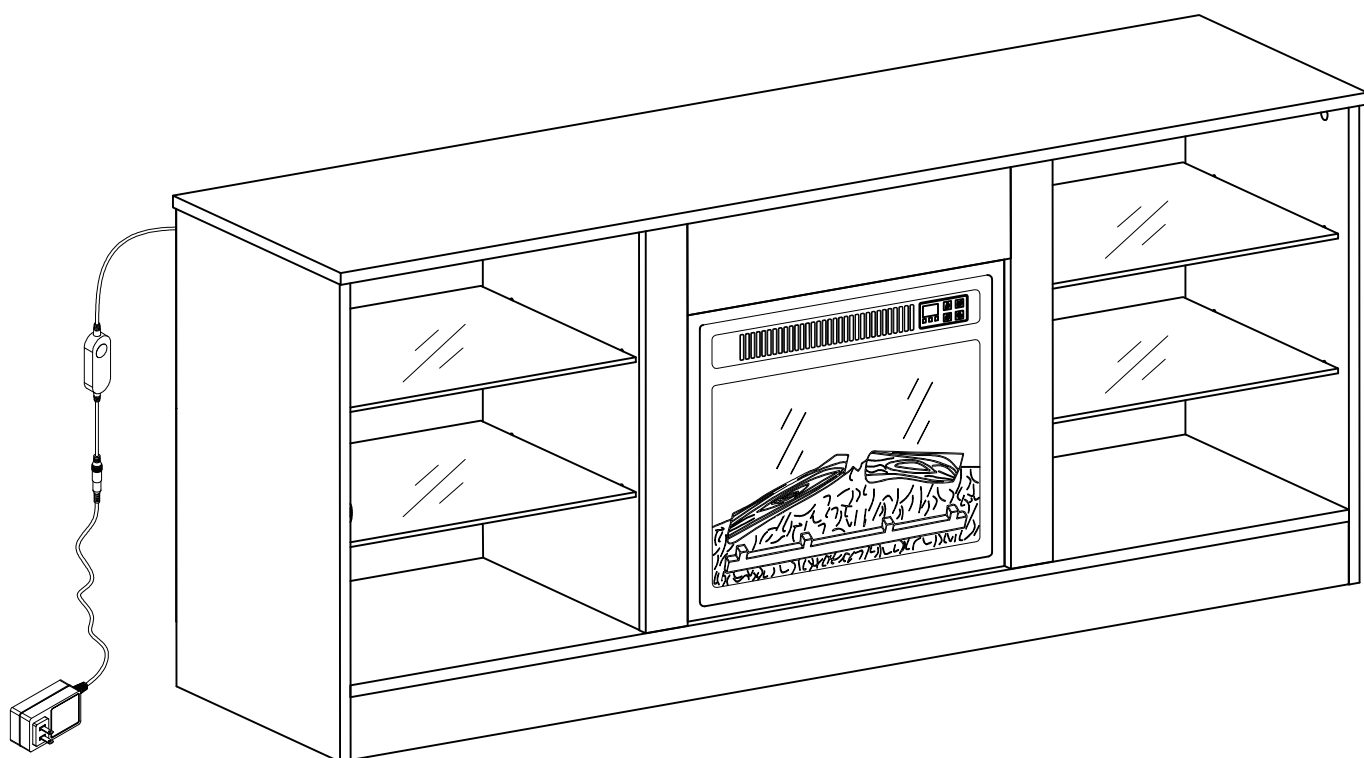
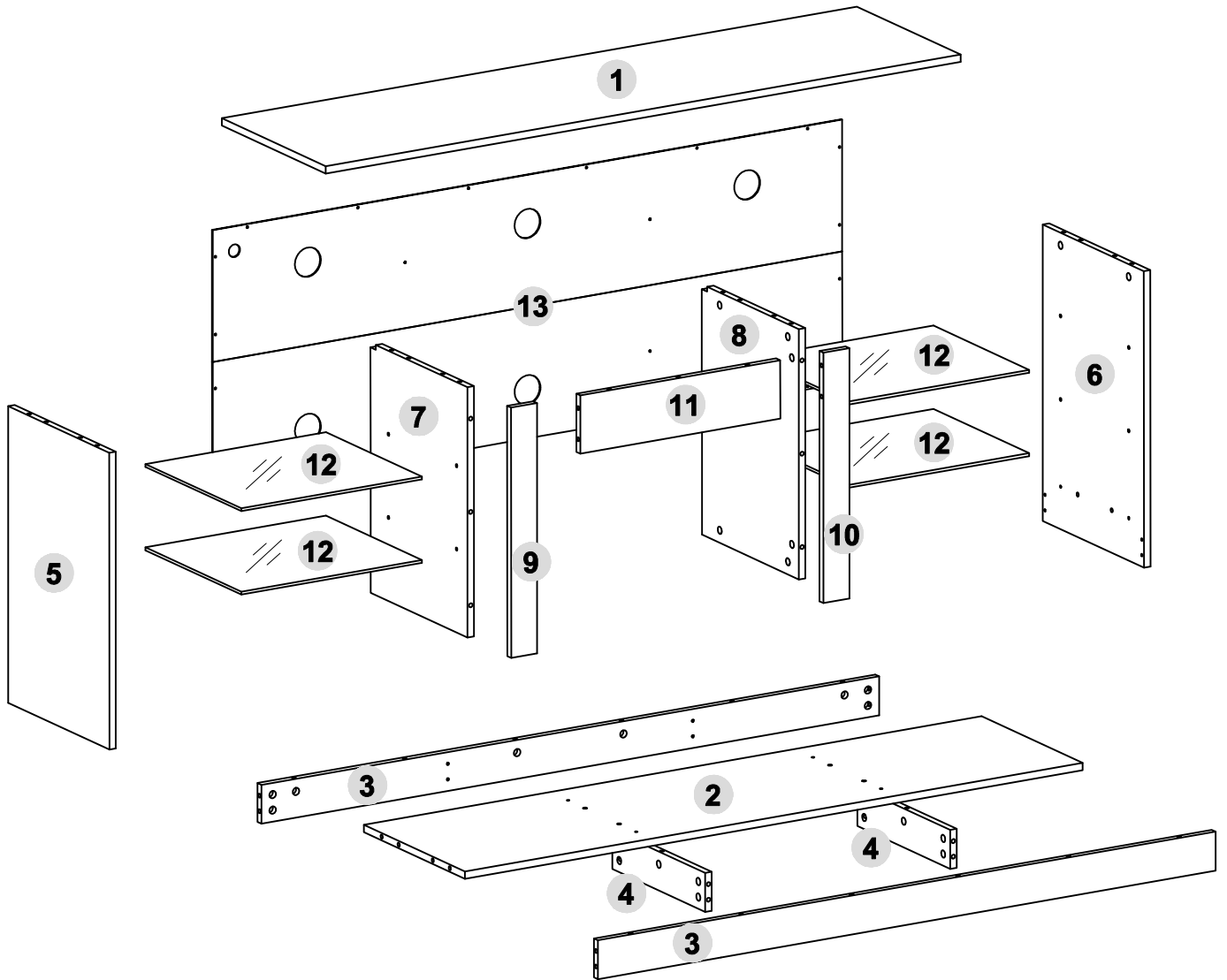


ASSEMBLY INSTRUCTIONS



PACKAGE INCLUDE



PART IDENTIFICATION



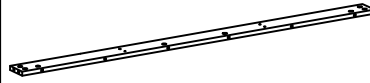
1

1x



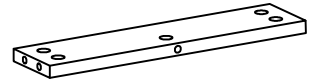
2

1x



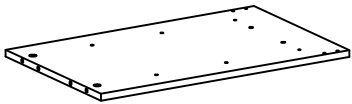
3

2x



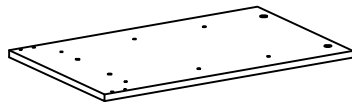
4

2x



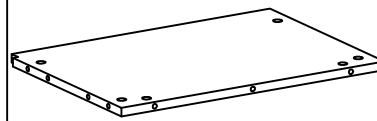
5

1x



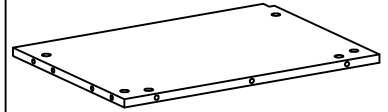
6

1x



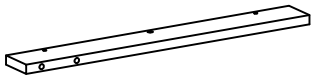
7

1x



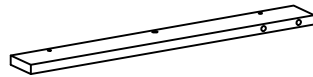
8

1x



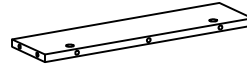
9

1x



10

1x



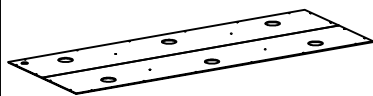
11

1x



12

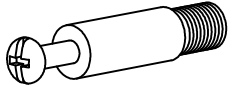
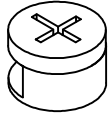
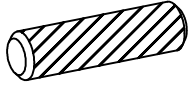
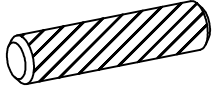
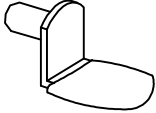
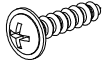
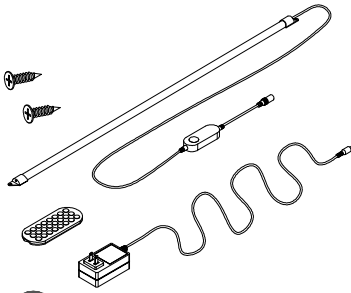
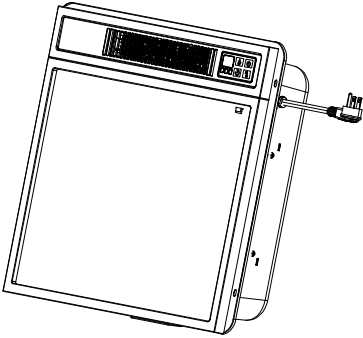
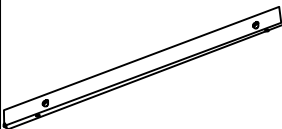


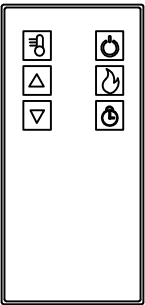
4x



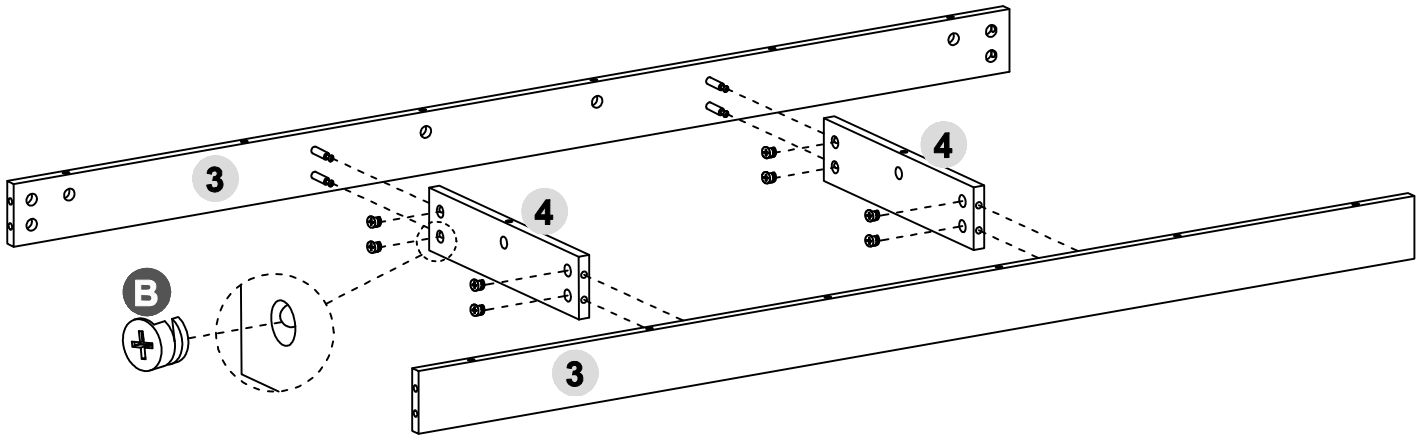
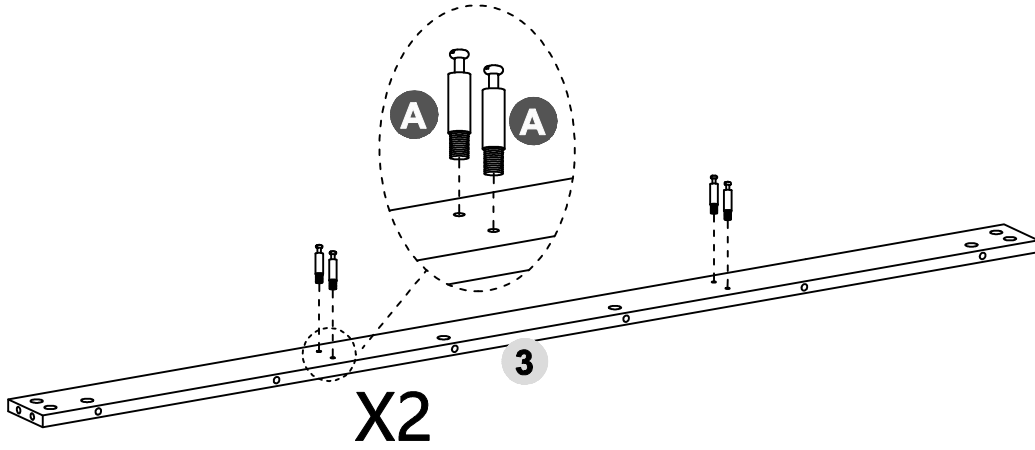
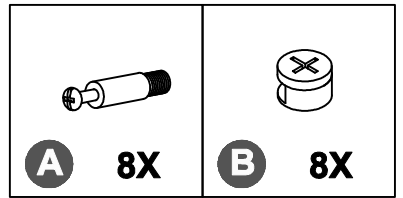
13

1x

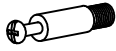

PACKAGE CONTENT

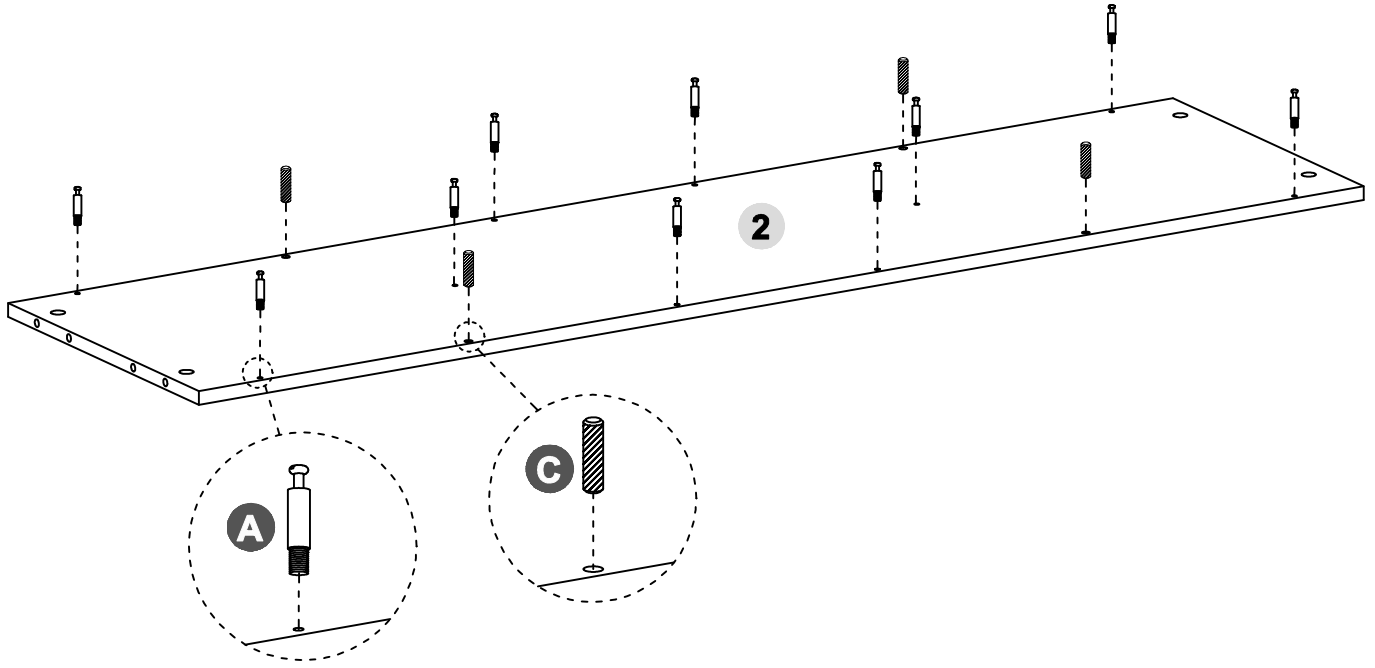
 <p>A 48x+1</p>	<p>Ø15x11MM</p>  <p>B 48x+1</p>	<p>Ø8x30MM</p>  <p>C 23x+1</p>	<p>Ø8x40MM</p>  <p>D 4x+1</p>	
 <p>E 16x</p>	<p>Ø3x14MM</p>  <p>F 24x+1</p>	 <p>G 1x</p>		
 <p>Fireplace Unit</p> <p>W 1x</p>	 <p>Top Trim</p> <p>X 1x</p>	 <p>Side Trim</p> <p>Y 2x</p>	 <p>Screw</p> <p>Z 12x</p>	 <p>Remote Control</p> <p>H 1x</p>

STEP 1

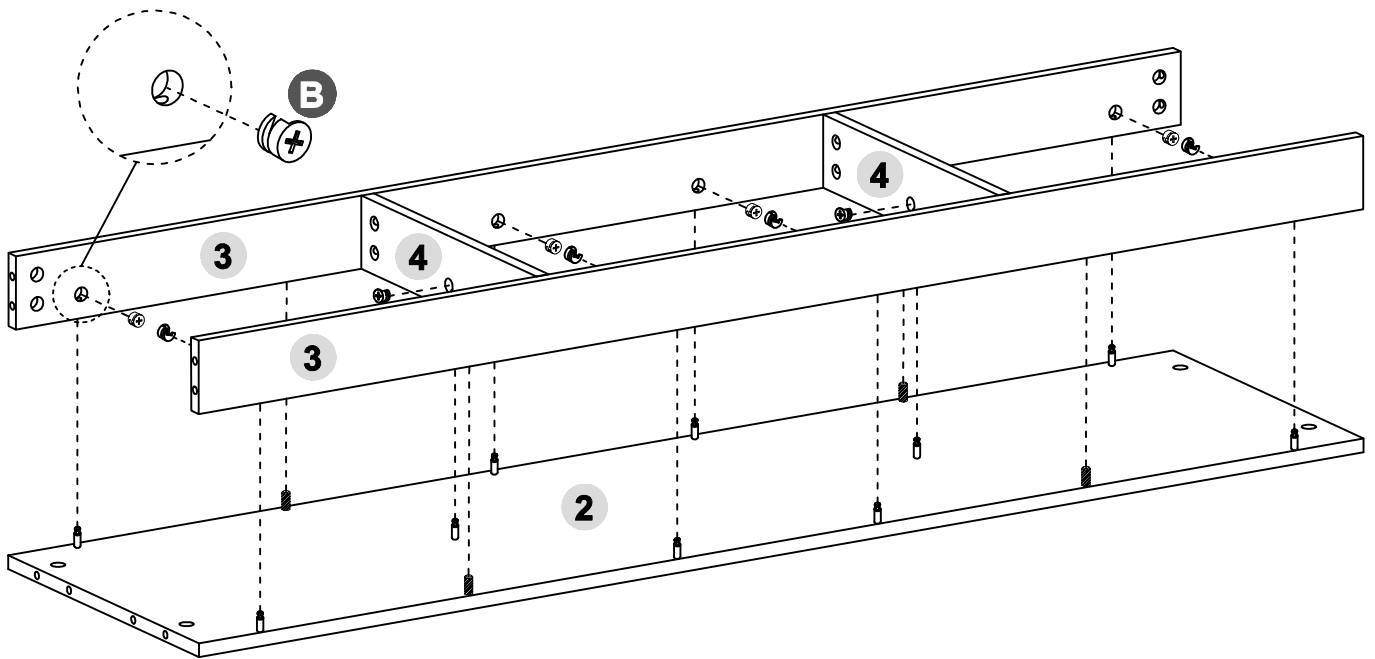
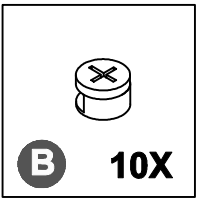


STEP 2

	
A 10X	C 4X



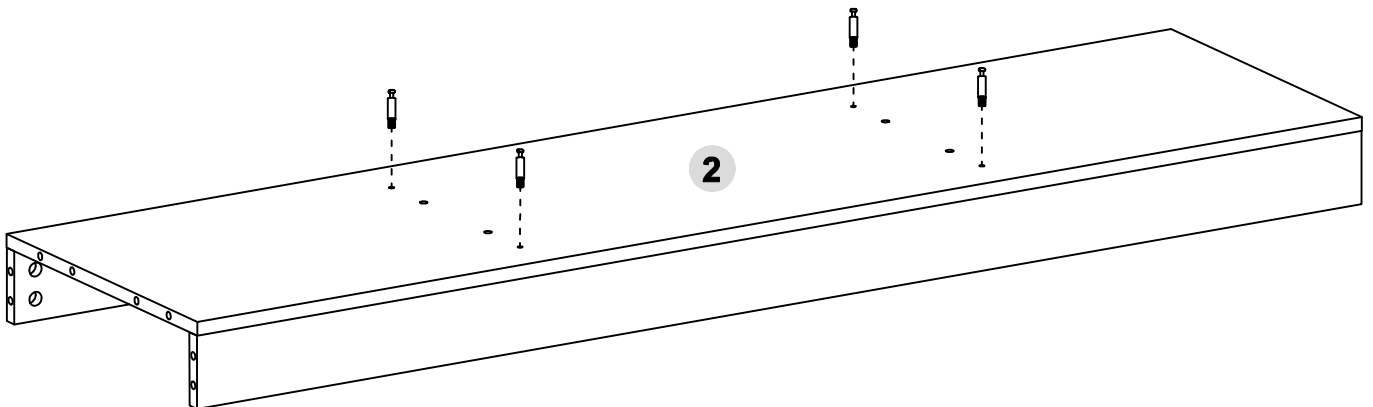
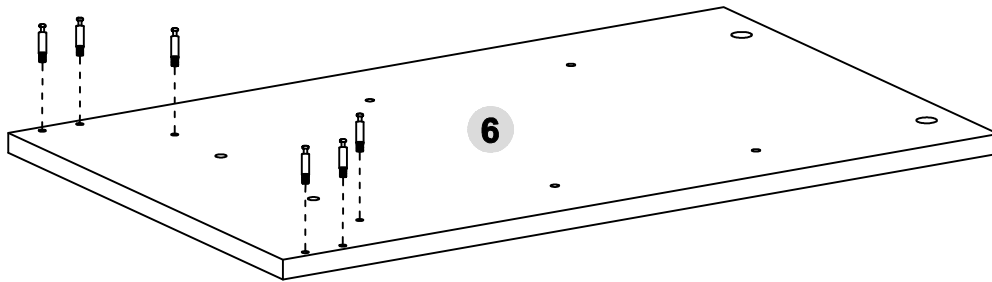
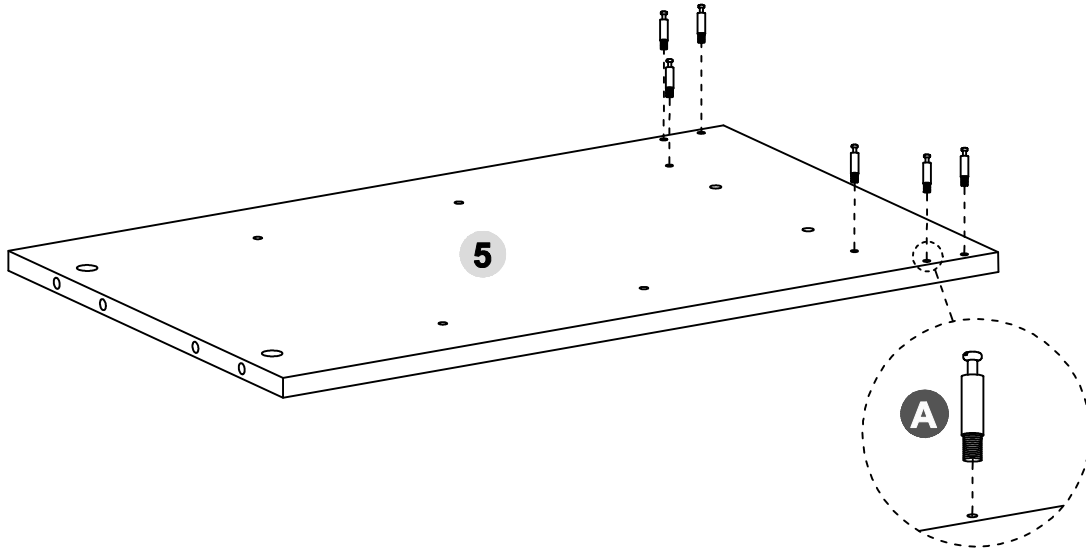
STEP 3



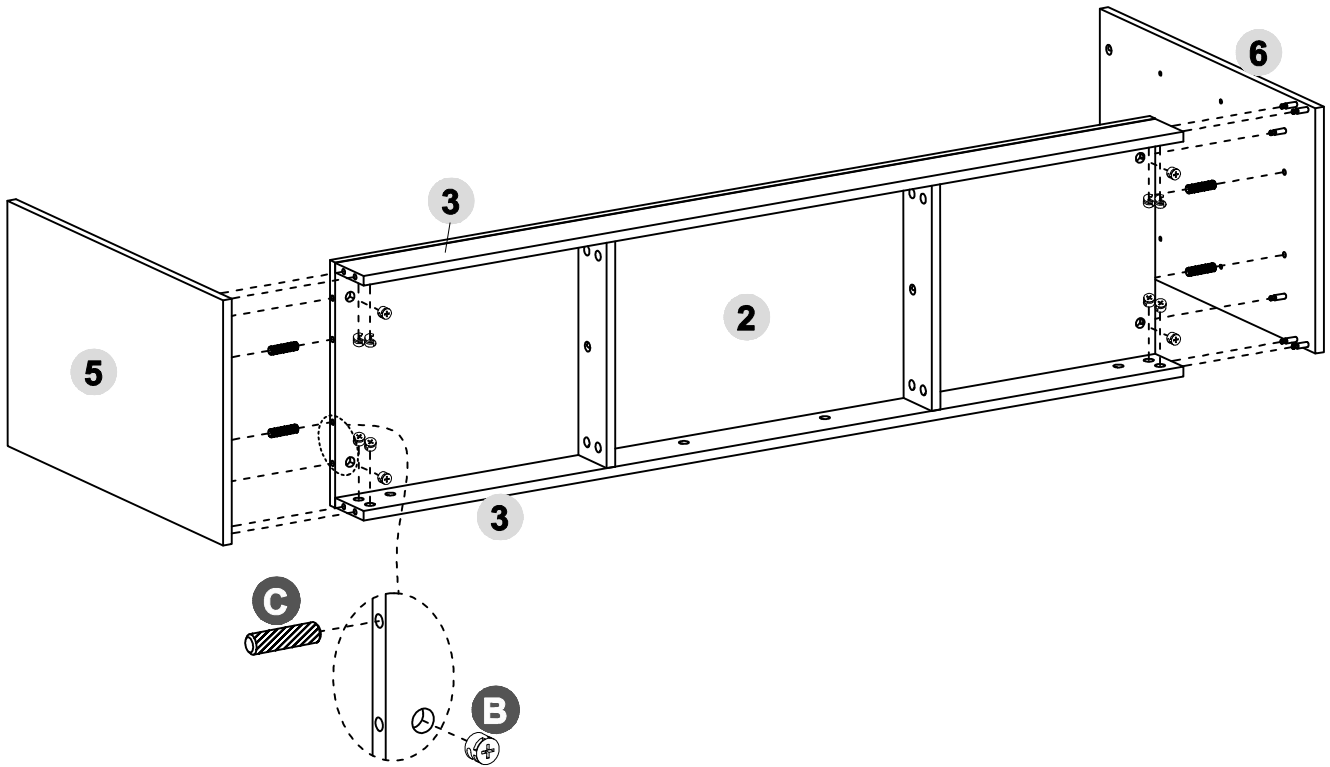
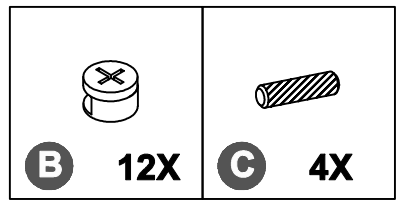
STEP 4



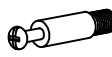


A 16X

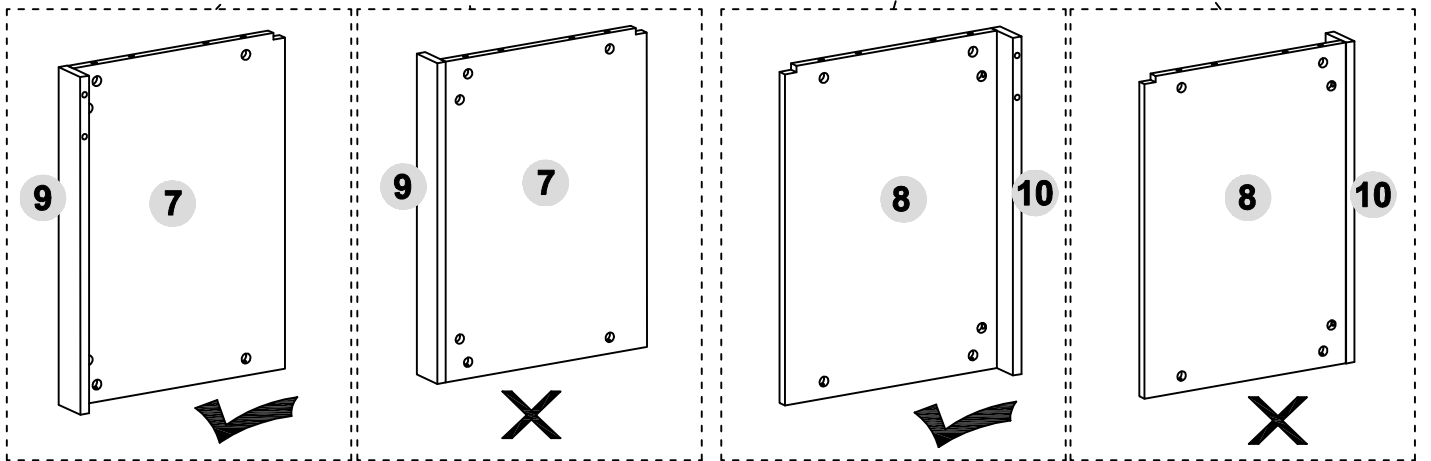
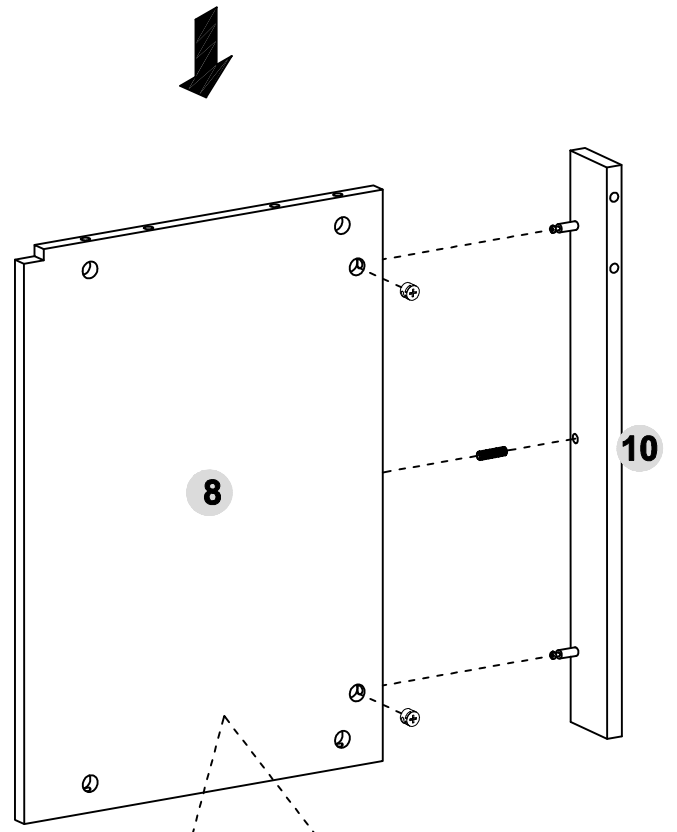
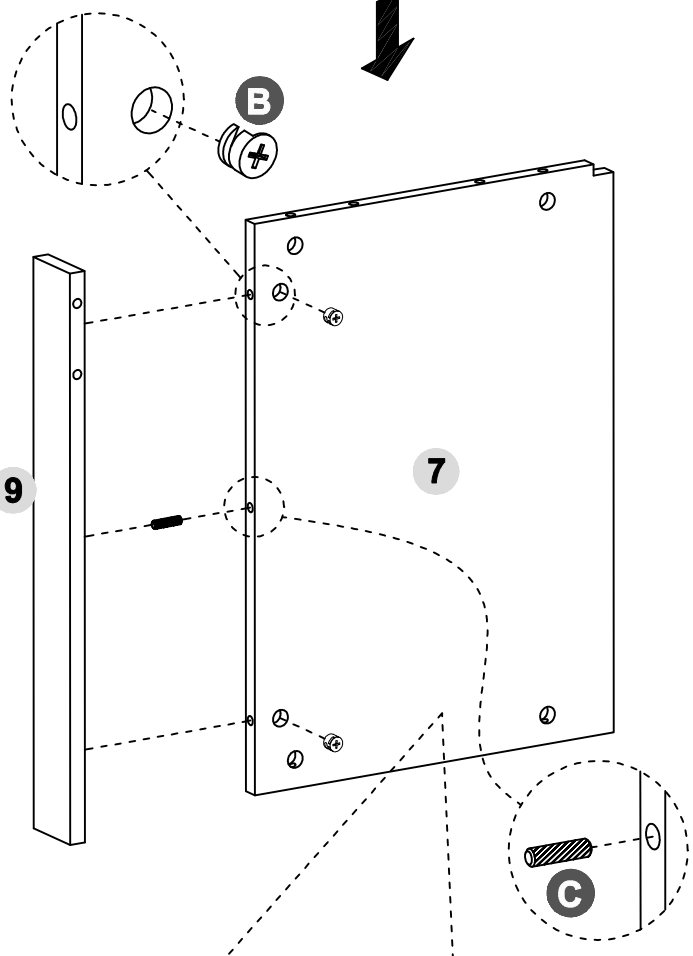
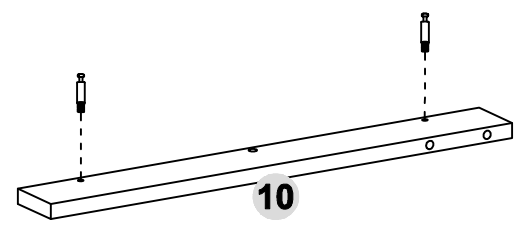
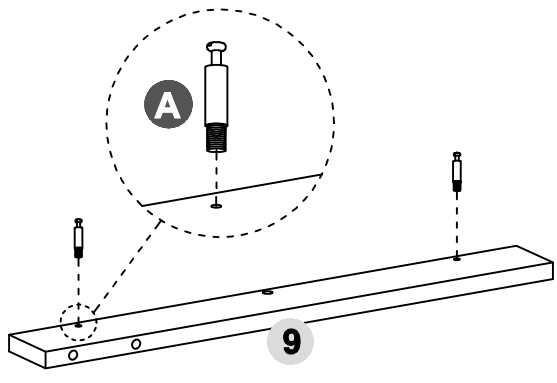


STEP 5

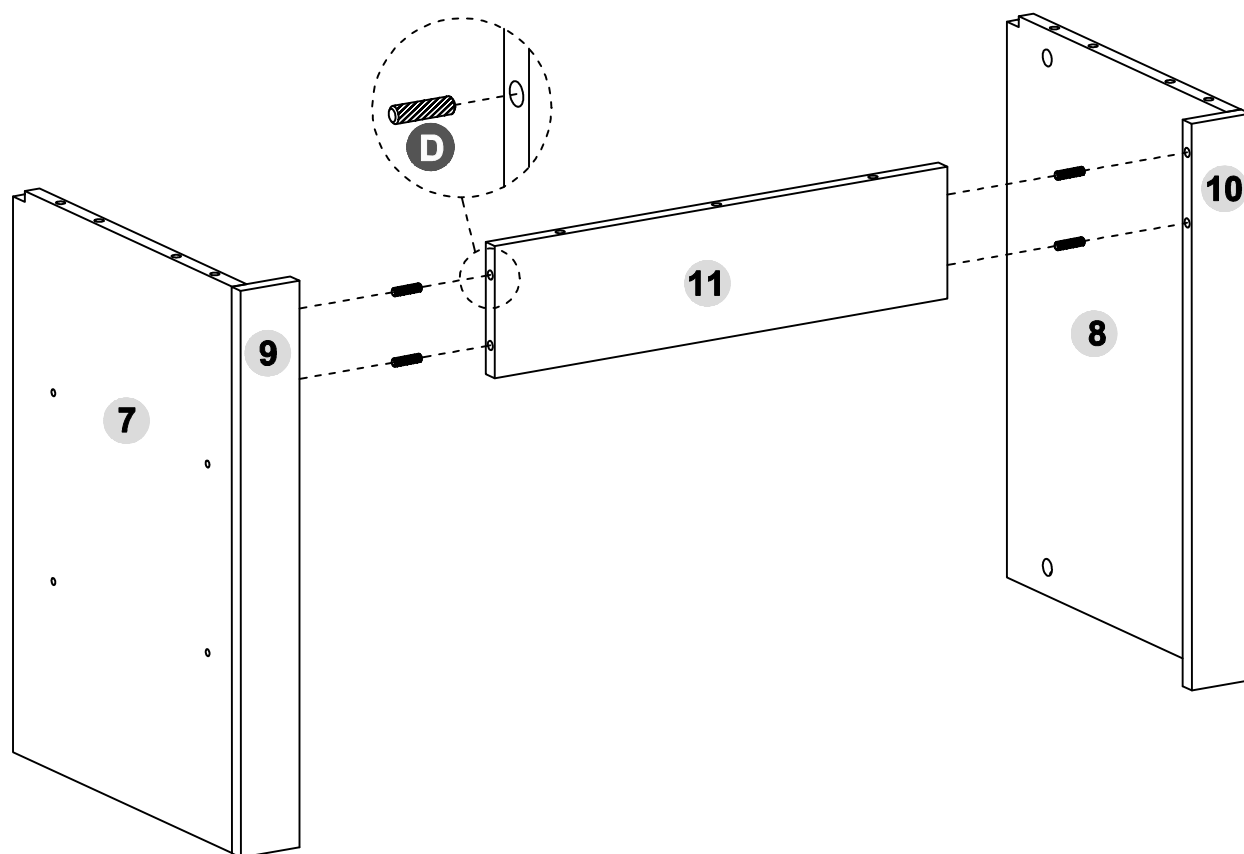
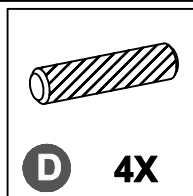


STEP 6

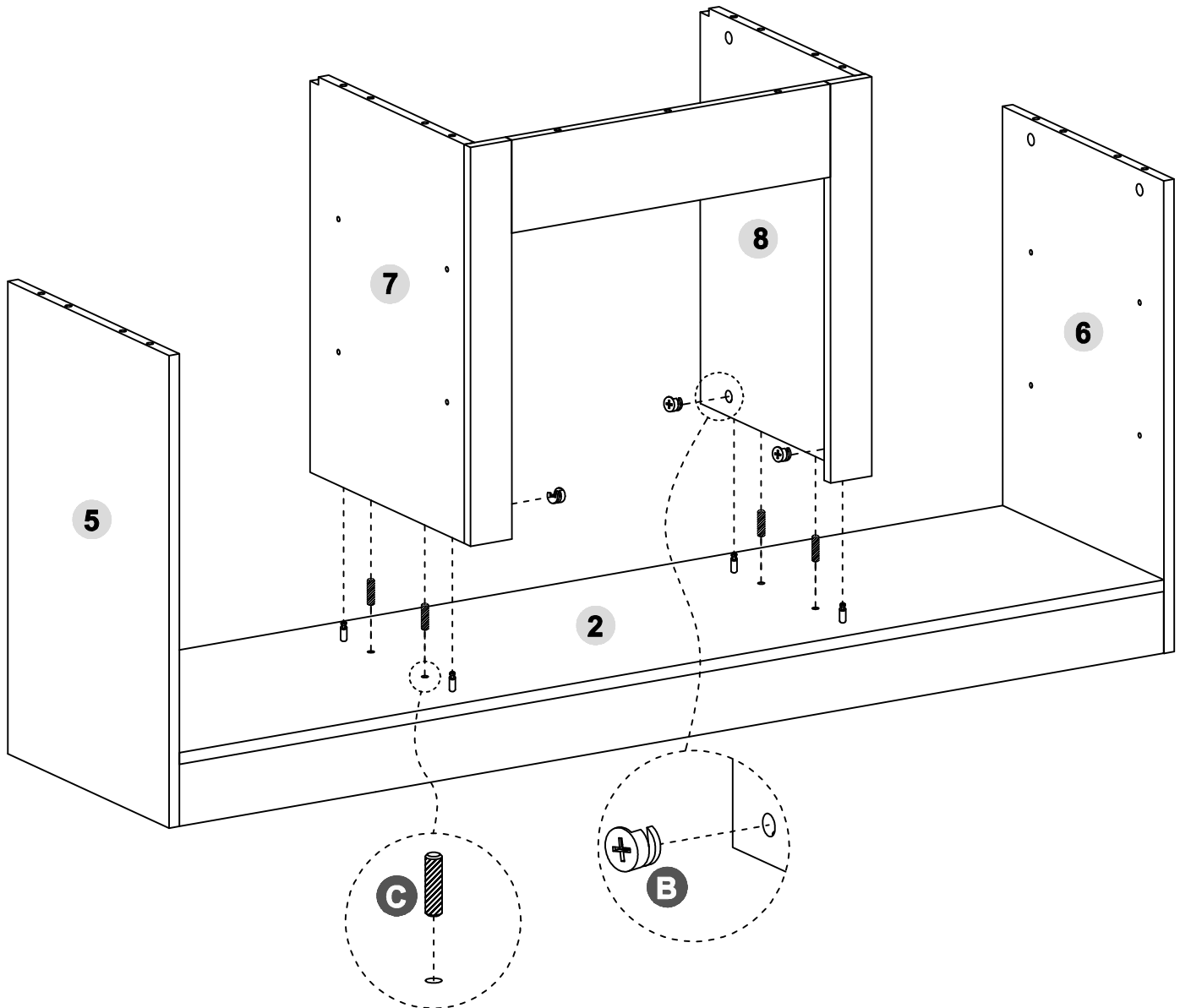
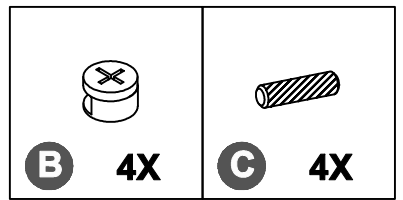
 A 4X	 B 4X	 C 2X
---	--	--



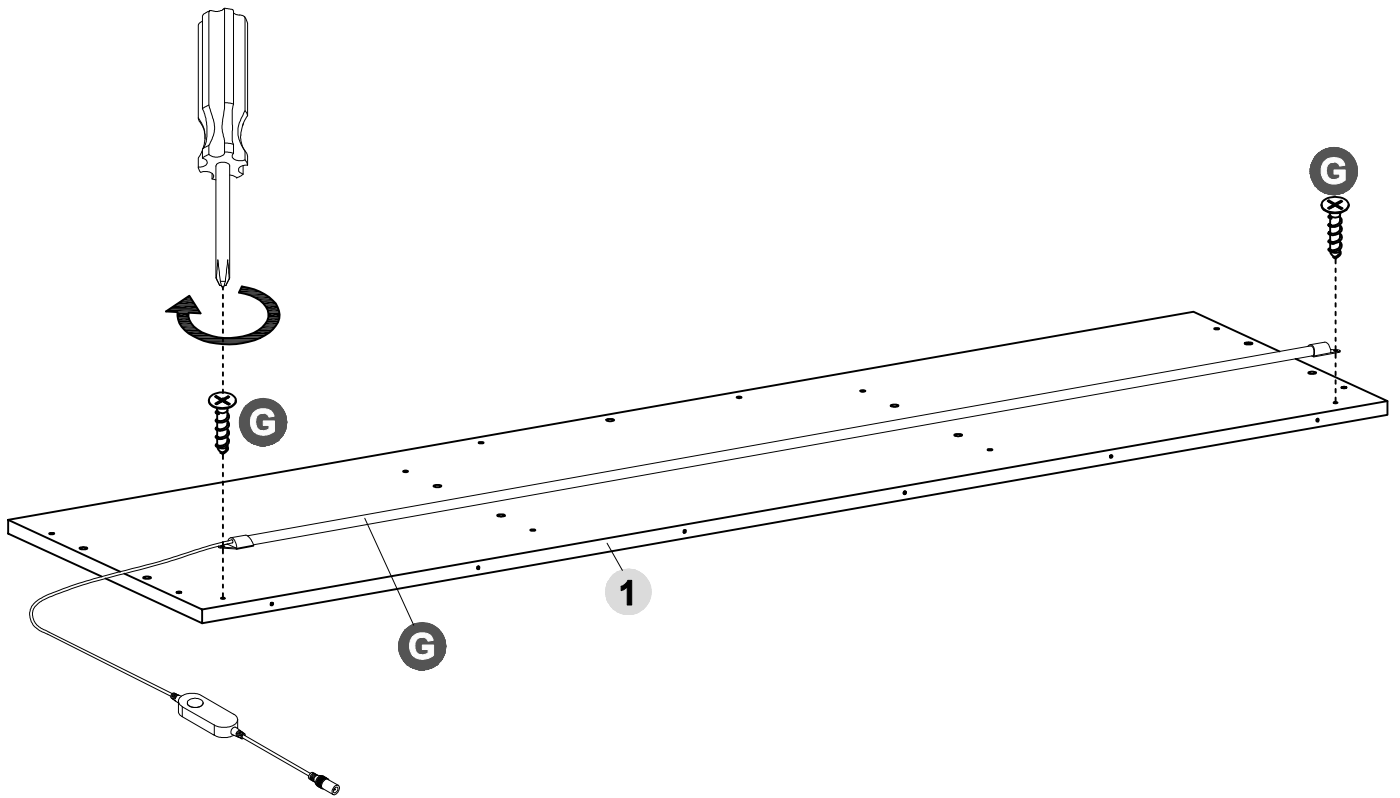
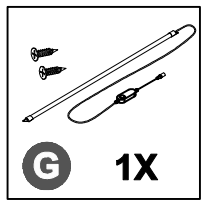
STEP 7



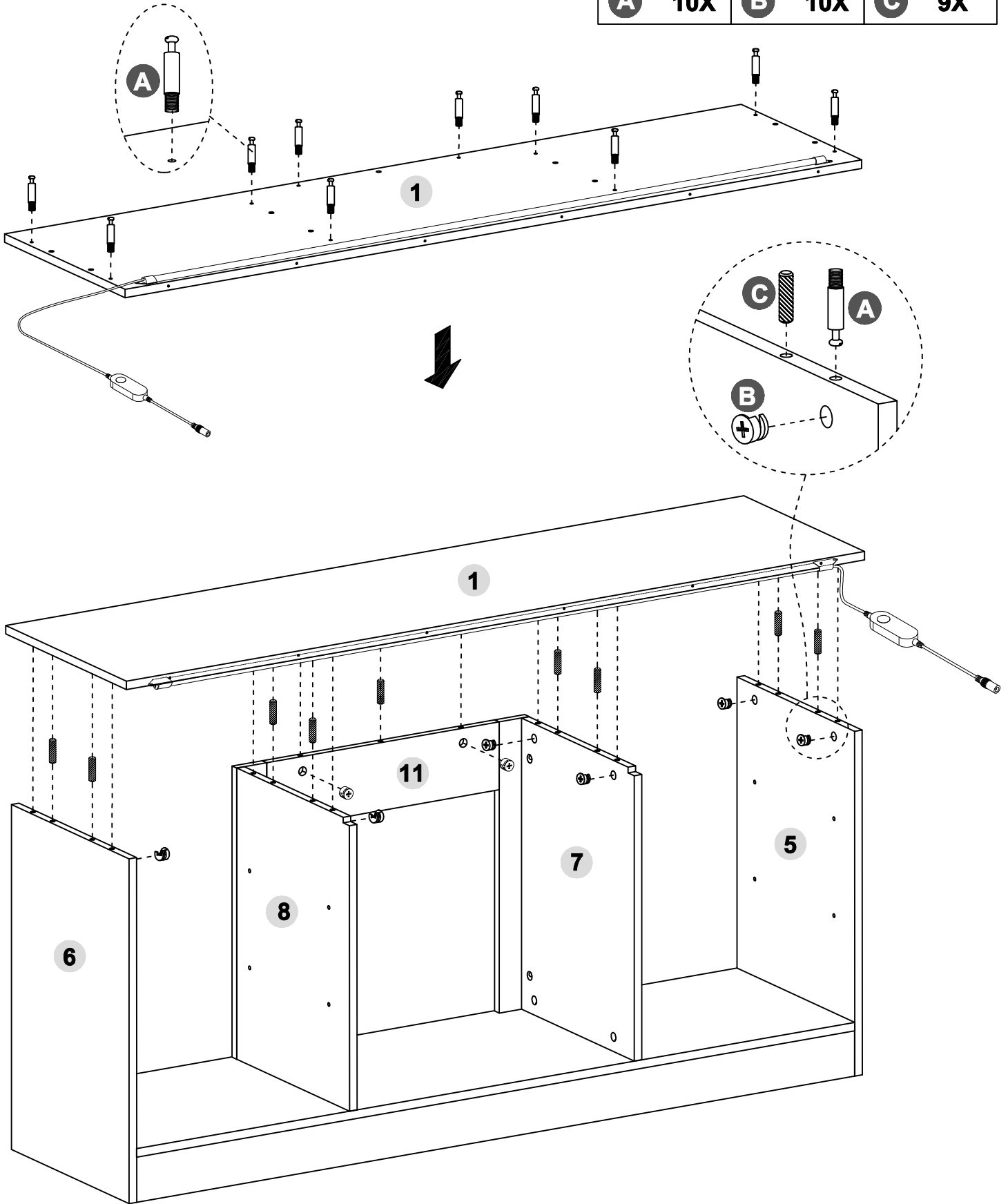
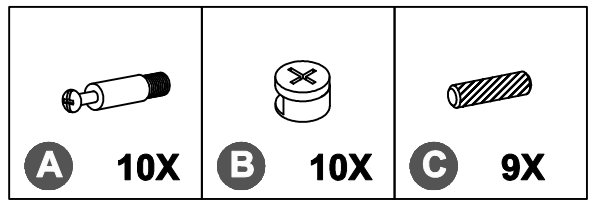
STEP 8



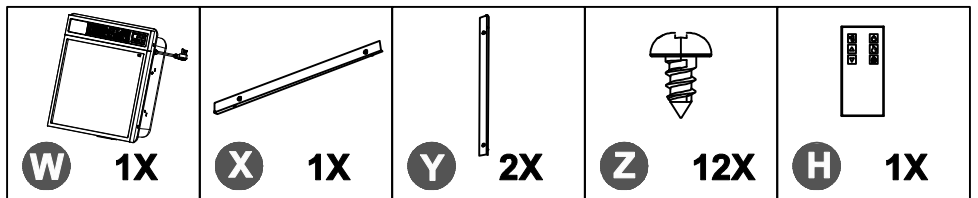
STEP 9



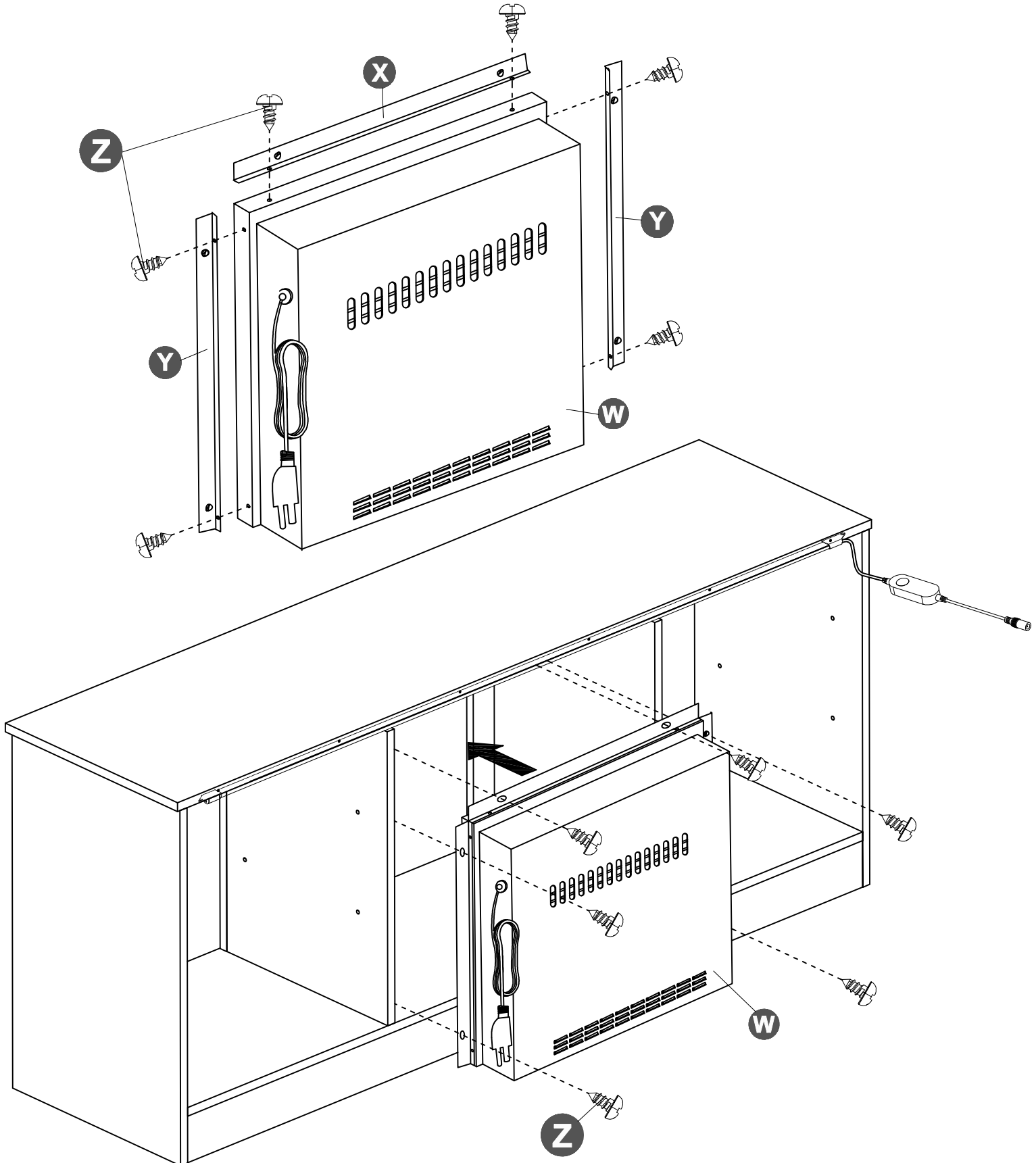
STEP 10



STEP 11


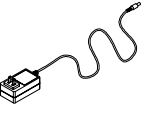


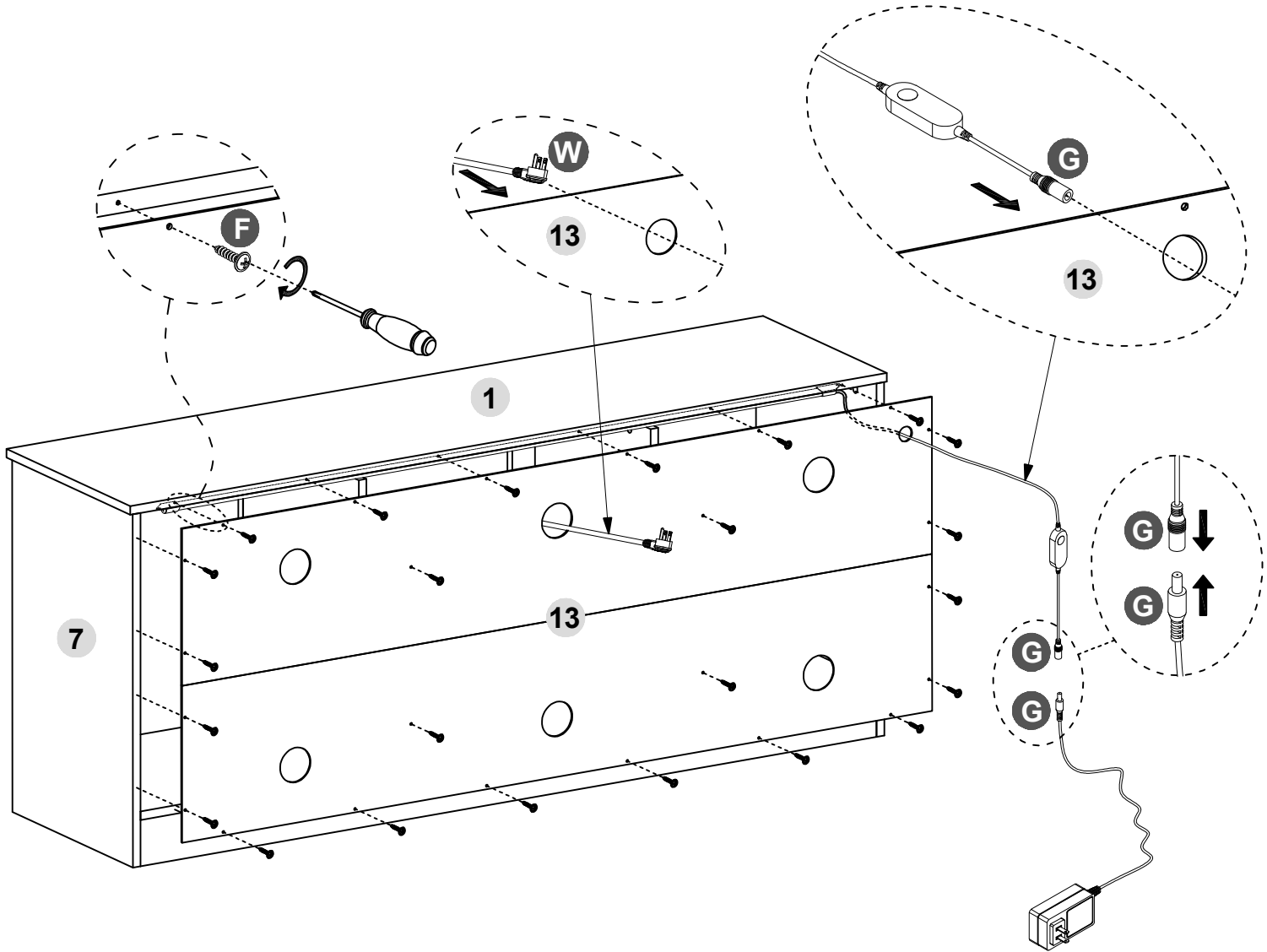
NOTE: Make sure two side trims are installed correctly.



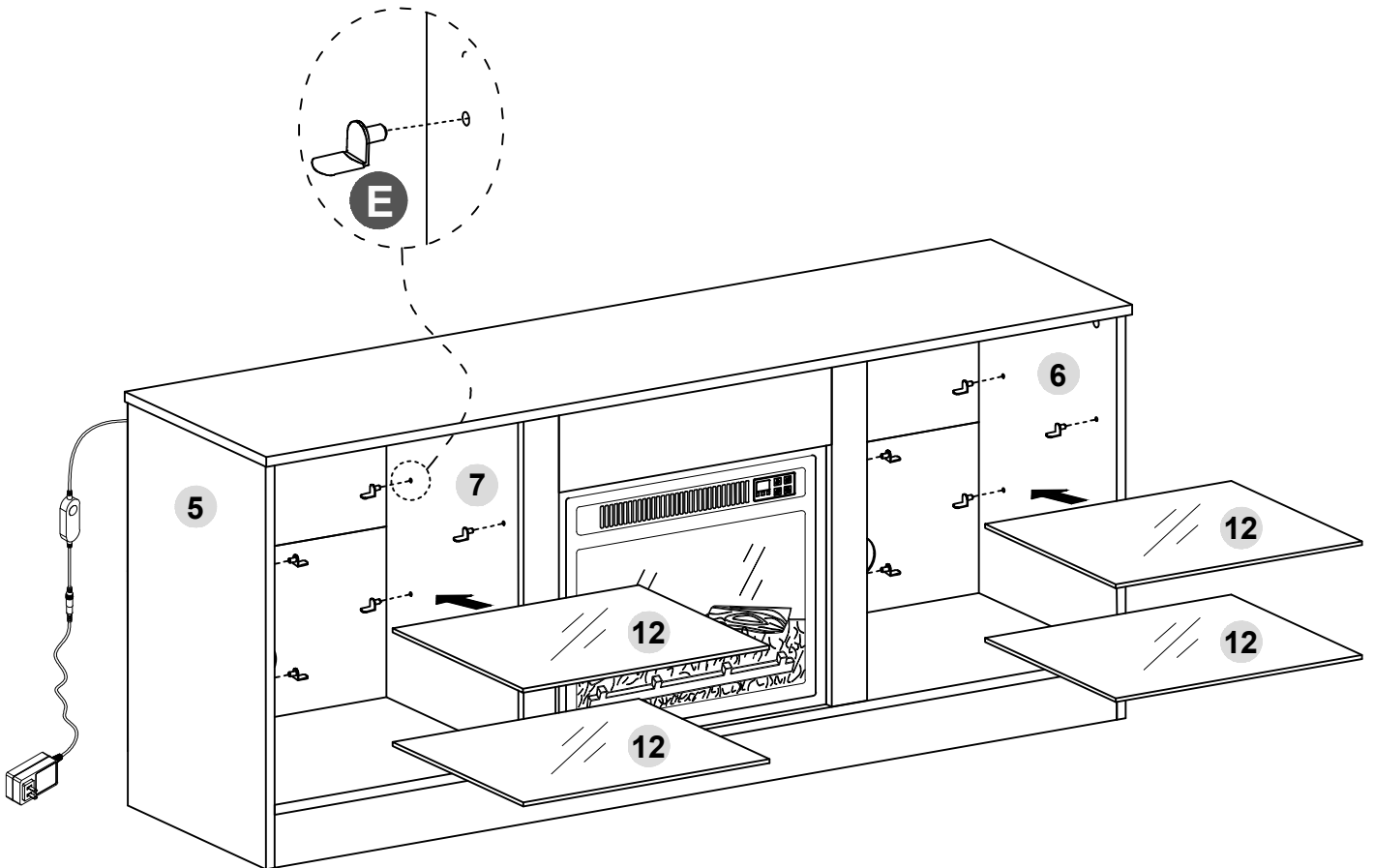
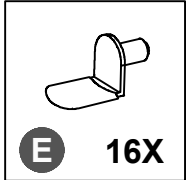
NOTE: Do not attempt to install the unit from the front of the mantel. It will not fit.

STEP 12

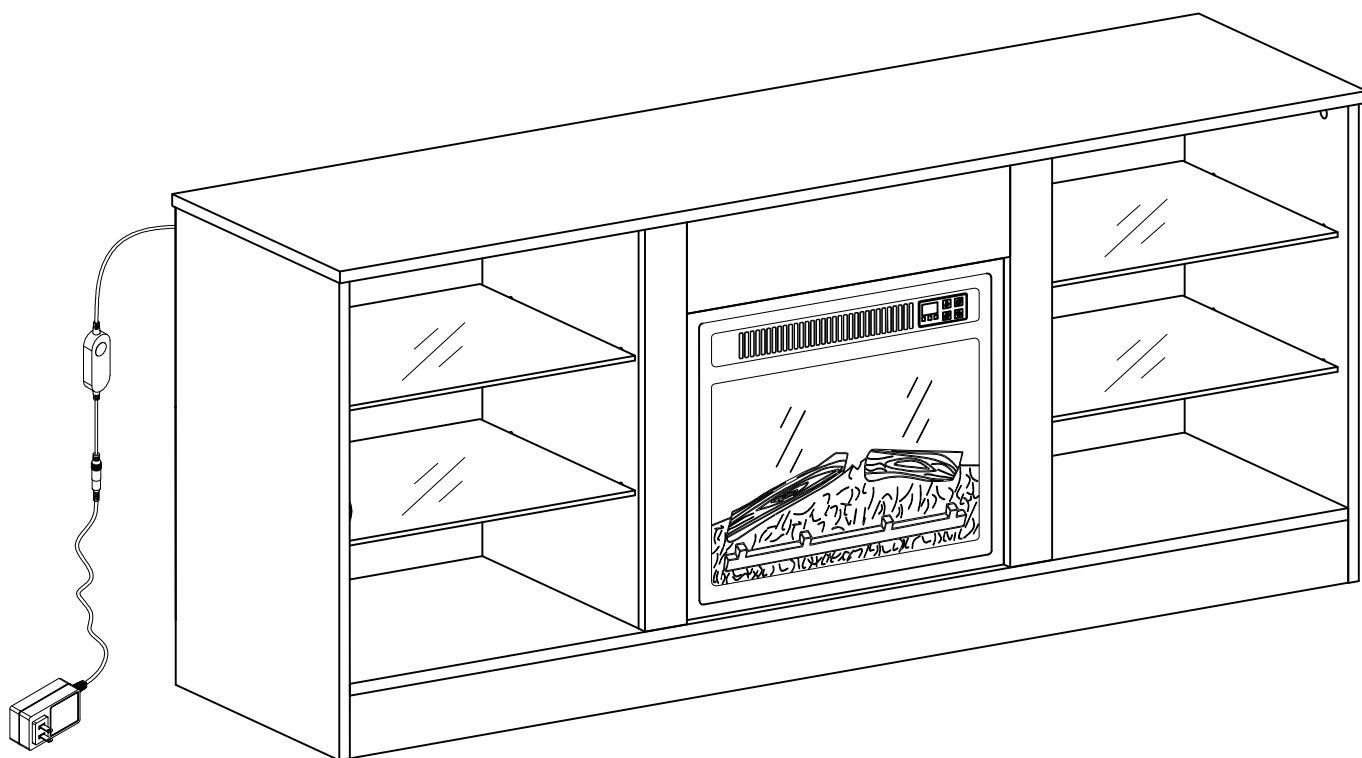
	
F 24X	G 1X



STEP 13



STEP 14



Congratulations on doing it.