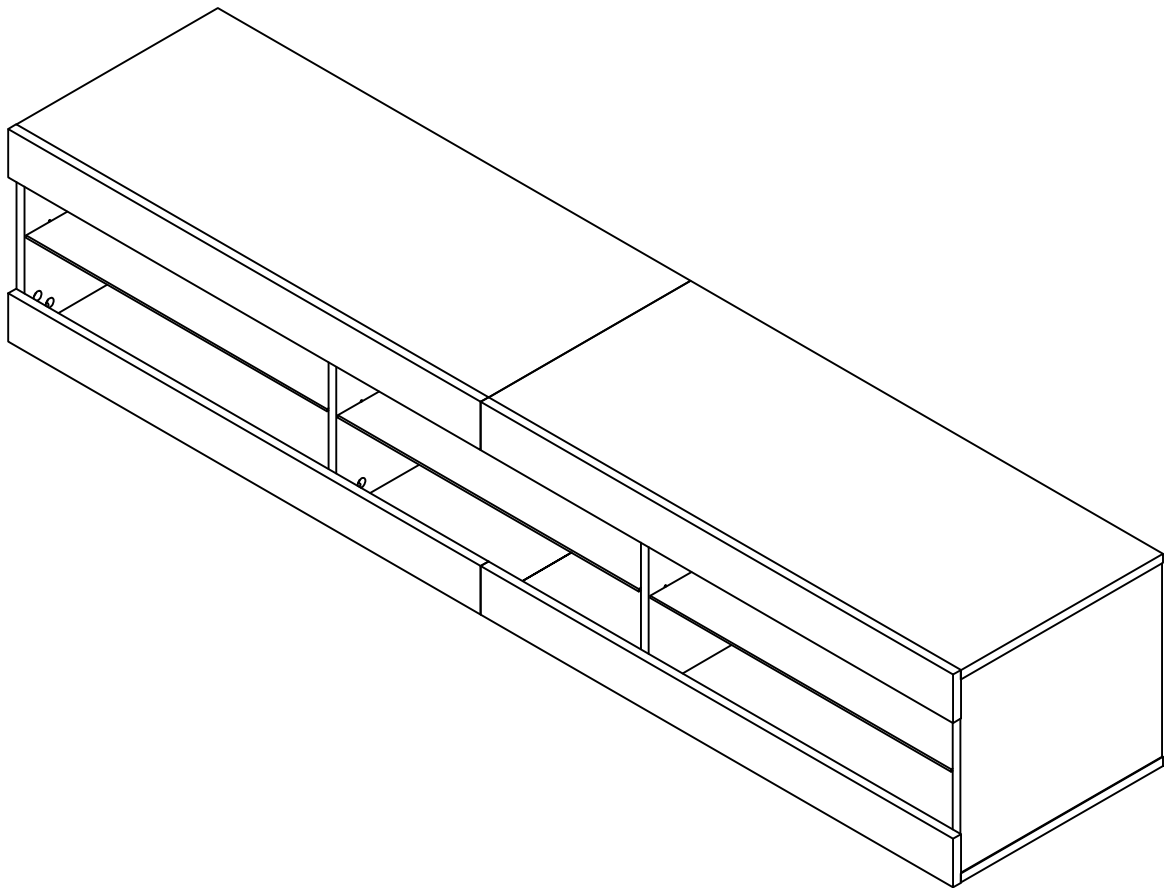
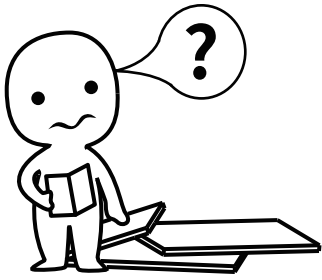


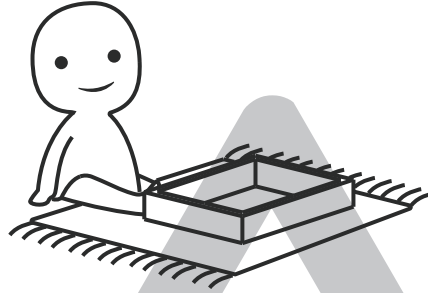
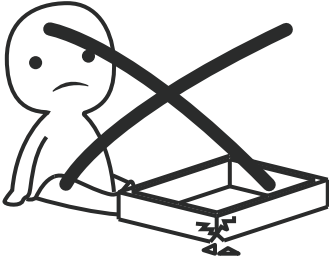
Bedside Table





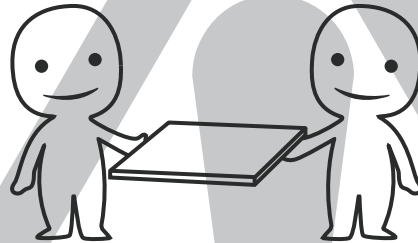
IMPORTANT INFORMATION!

please read the entire manual before starting to assemble and/or using this product. follow the manual thoroughly and keep it for further reference.



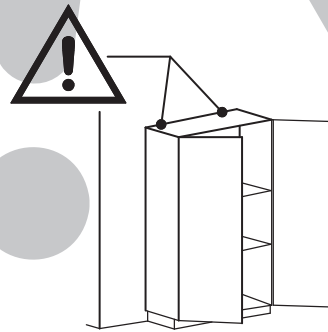
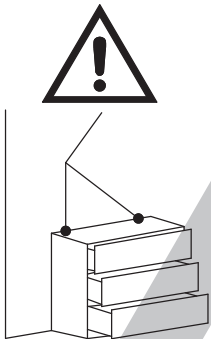
AVOID SCRATCHES!

In order to avoid scratching this furniture should be assembled on a soft layer—could be a rug.



IMPROVE EFFICIENCY !

Try to find a partner to install with you, which can speed up the installation efficiency and shorten the time.



ANTI-TOPPLE WARNING !

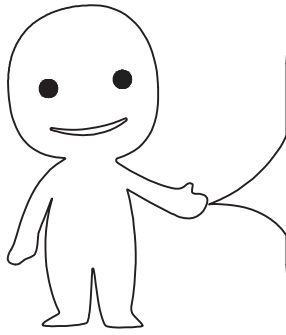
Overturned furniture can cause serious or fatal crush injuries. To prevent tipping over, be sure to use the wall attachment, if not included with this product. Please purchase the wall attachment that fit your wall. If unsure, seek professional advice. Please read and follow each step of the instructions carefully.

IMPORTANT !

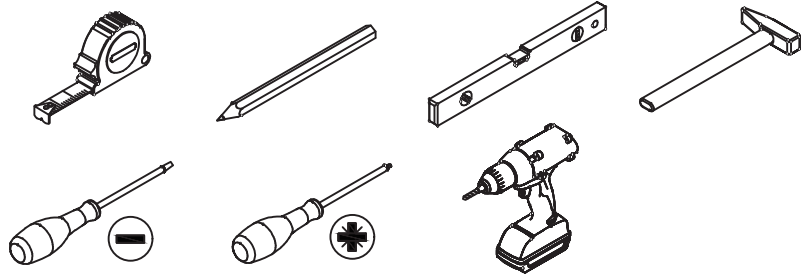
It is important that any product which is assembled using any kind of screw is re-tightened 2 weeks after assembly, and once every 3 months - in order to assure stability through-out the lifespan of the product.

For regular maintenance and cleaning of the product, for the frame, please use a rag dipped in neutral detergent to fully wipe it, and then dry it with a clean rag. For glass materials, wipe with a rag dampened with water glass cleaner, and then dry with a dry rag.

Do not use an electric screwdriver, and do not use too much force when installing, because the board is easy to break.

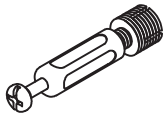


Please prepare the following tools



When installing, please carefully confirm whether each screw corresponds to the manual, accessories with similar shapes can be distinguished by size

A x 50



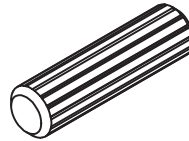
Ø7 x 31 mm

B x 66



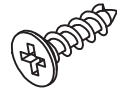
Ø15 x 11 mm

C x 24



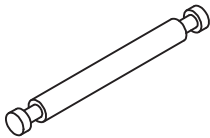
Ø8 x 30 mm

D x 14



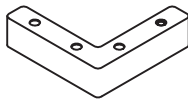
Ø3.5 x 14 mm

E x 8



Ø6 x 74 mm

F x 6



G x 9



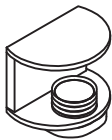
Ø4 x 25 mm

H x 26

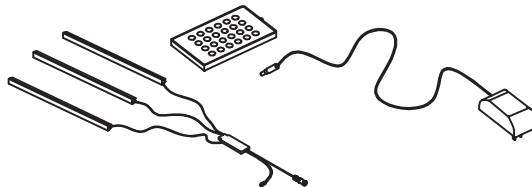


Ø4 x 35 mm

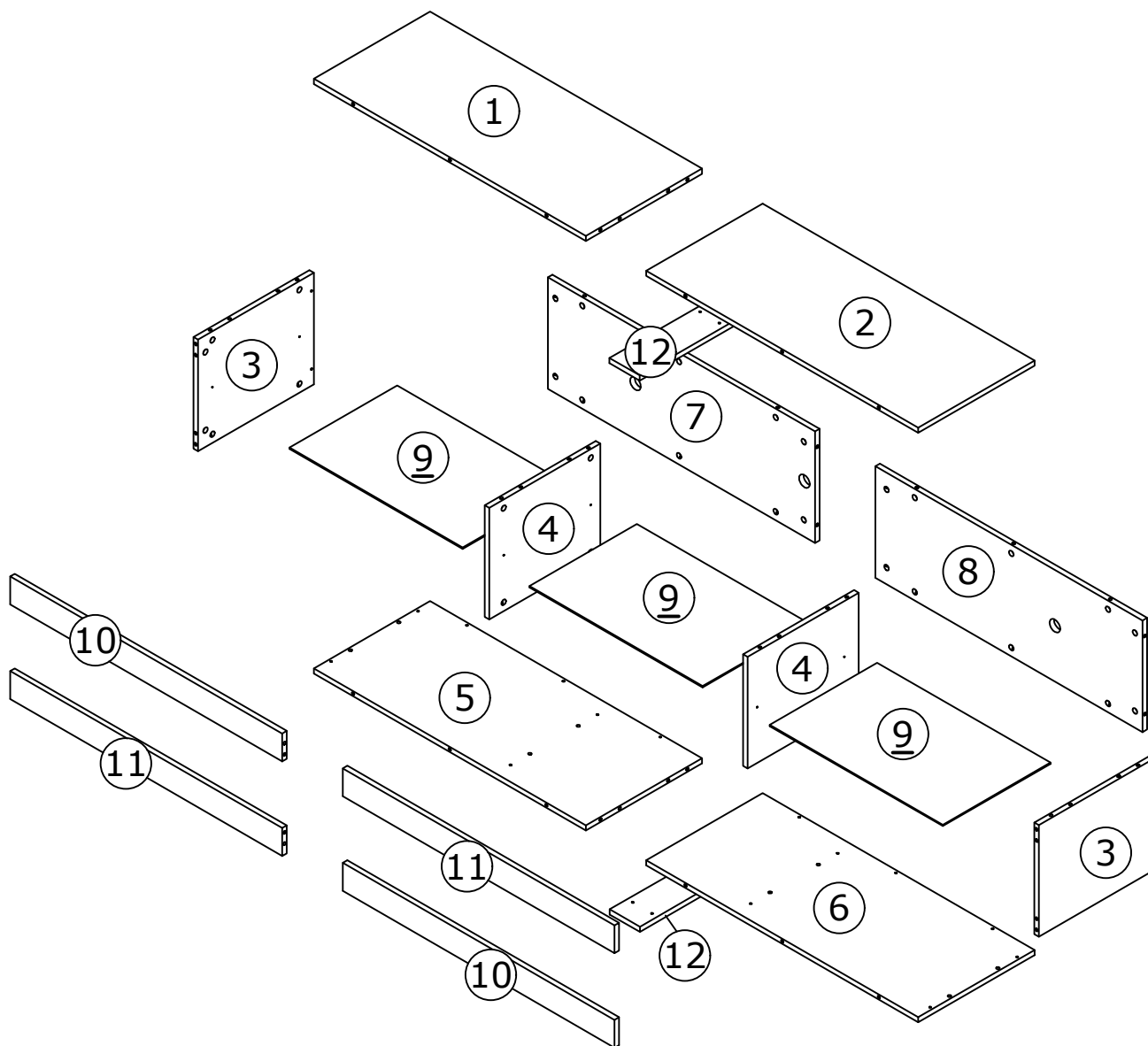
J x 13



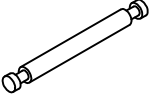
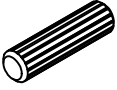


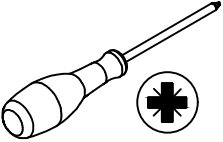
K x 1



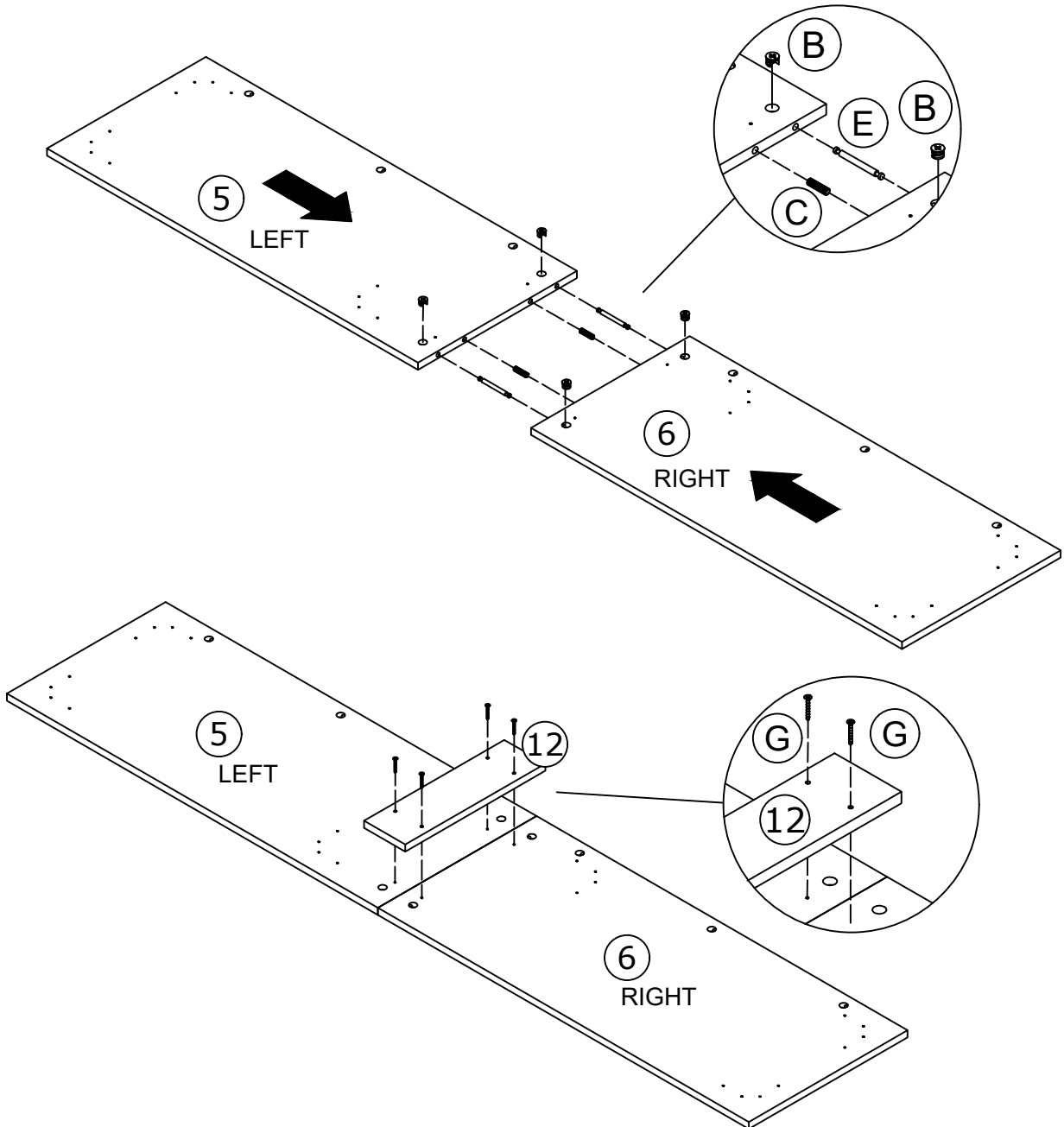
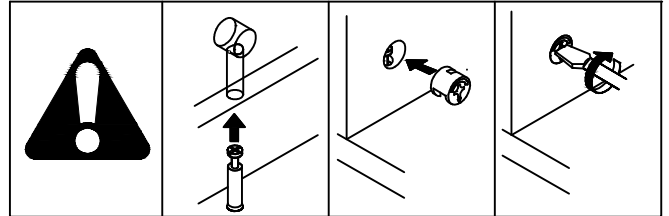
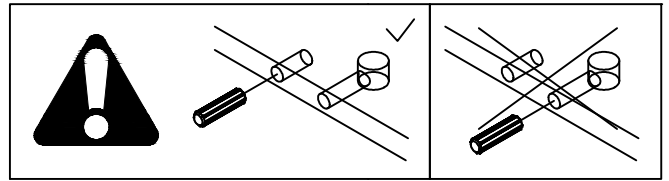
Board Identification



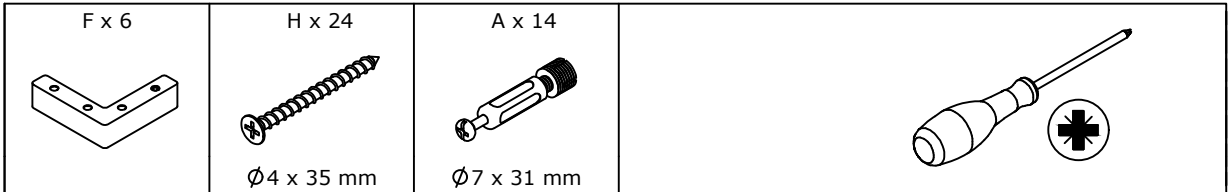
1

E x 2  Ø6 x 74 mm	C x 2  Ø8 x 30 mm	B x 4  Ø15 x 11 mm	G x 4  Ø4 x 25 mm	 +
--	--	---	---	--

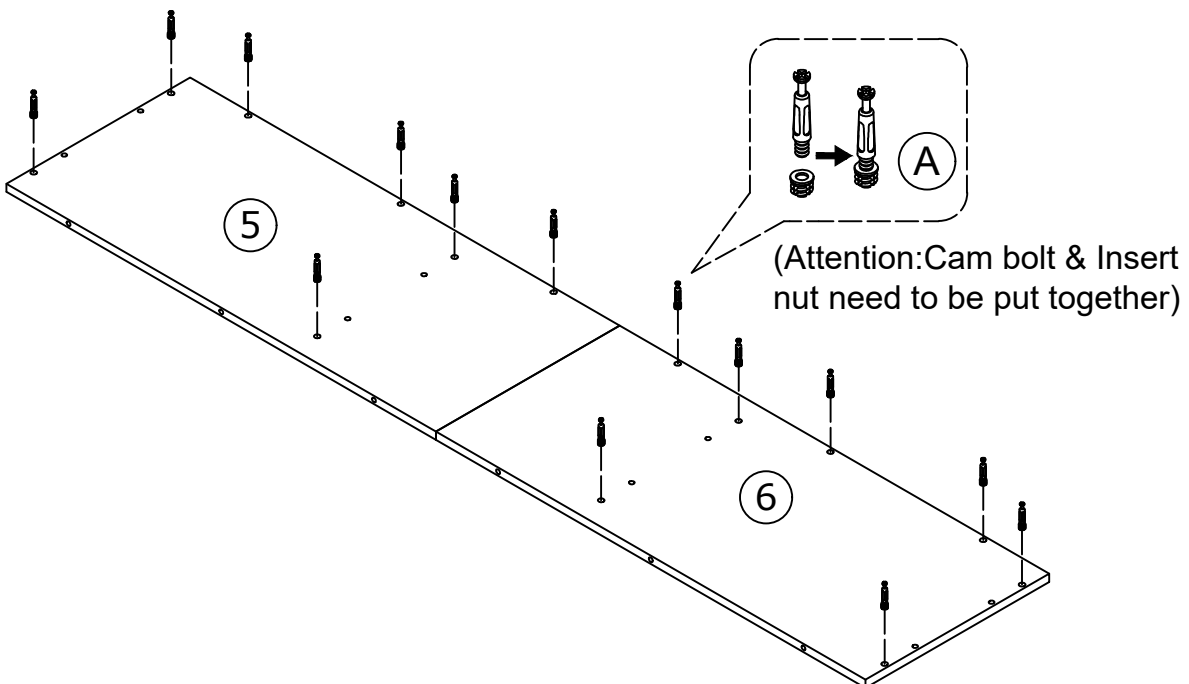
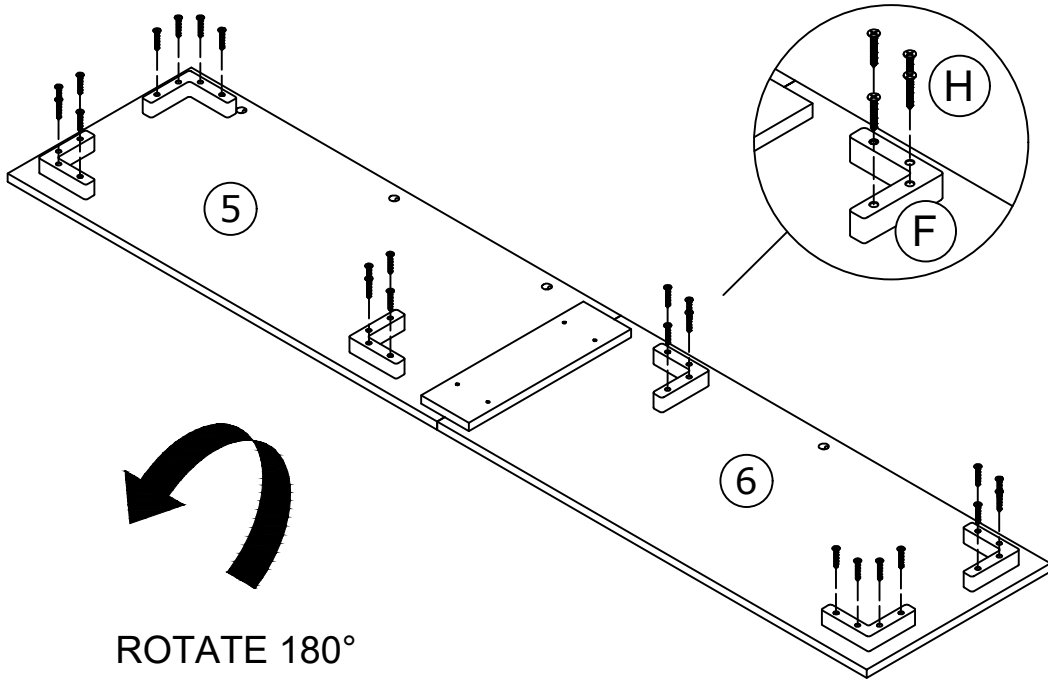
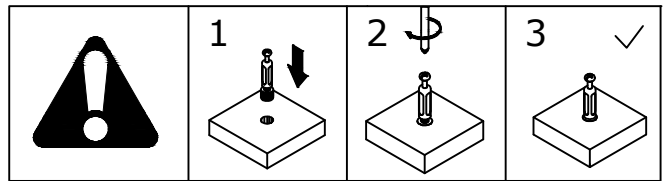
- Insert wood dowels (C) into panel (5) & (6) .
- Attach panel (5) to (6) and lock with cam (B) .
- Attach panel (12) to (5) & (6) with screw (G) .



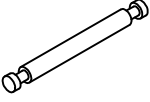
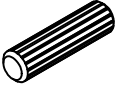
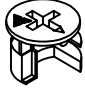

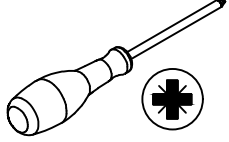

2



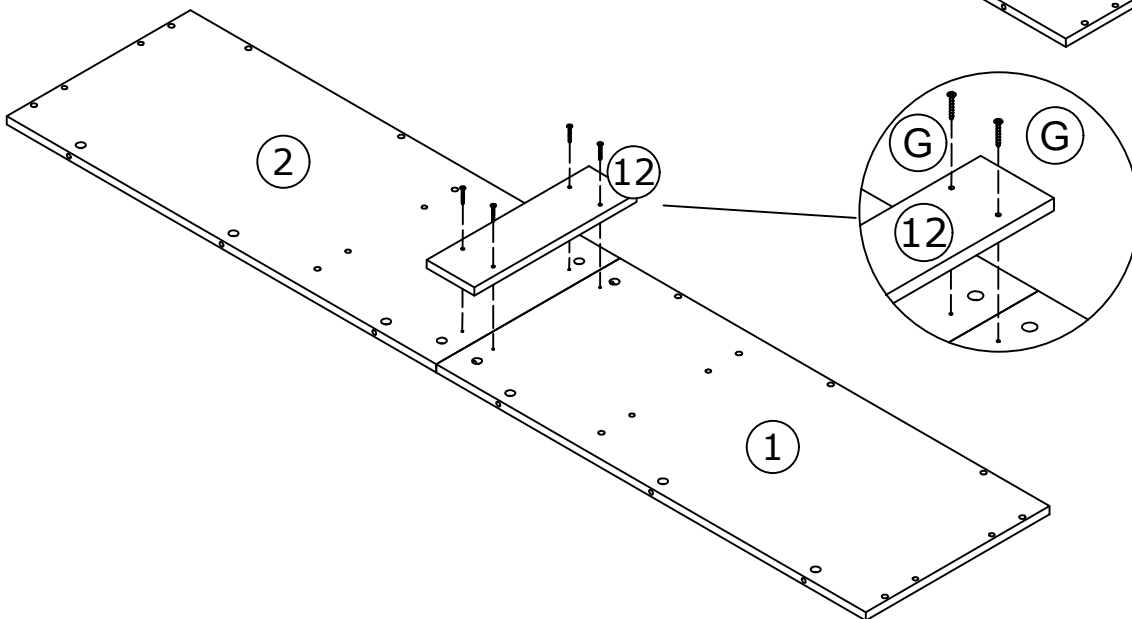
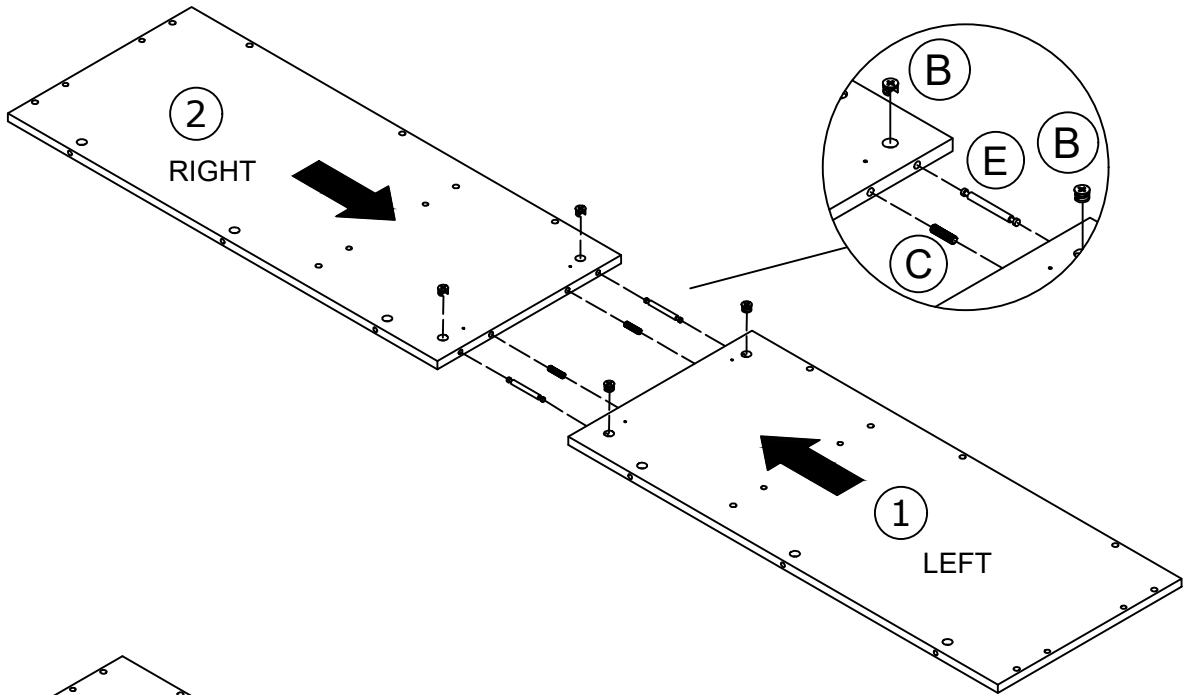
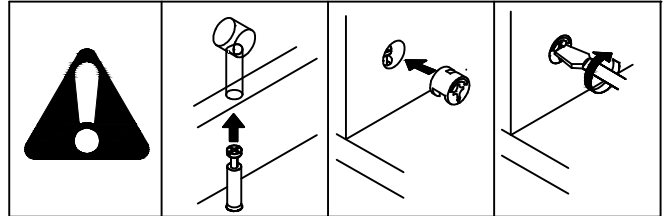
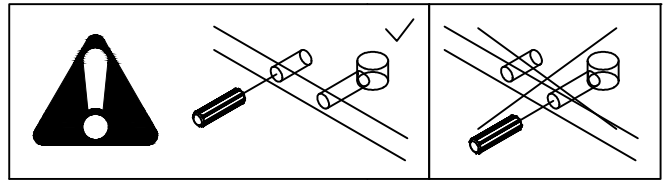
- Attach foot (F) to panel (5) & (6) with screw (H) .
- Screw the cam bolt (A) into the panel (5) & (6) .



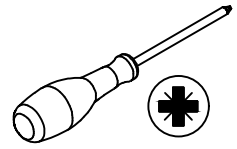
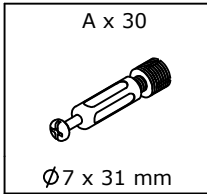
3

<p>E x 2</p>  <p>∅6 x 74 mm</p>	<p>C x 2</p>  <p>∅8 x 30 mm</p>	<p>B x 4</p>  <p>∅15 x 11 mm</p>	<p>G x 4</p>  <p>∅4 x 25 mm</p>	 
--	--	---	---	---

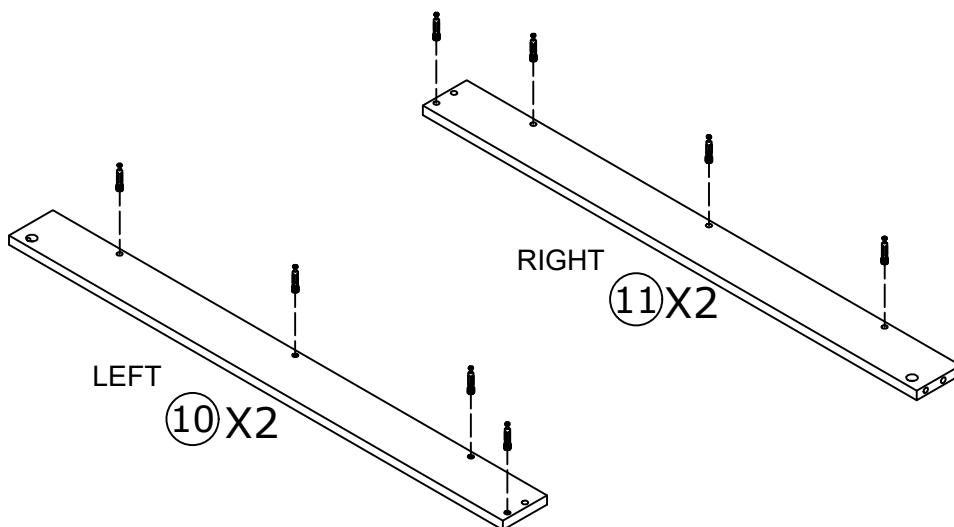
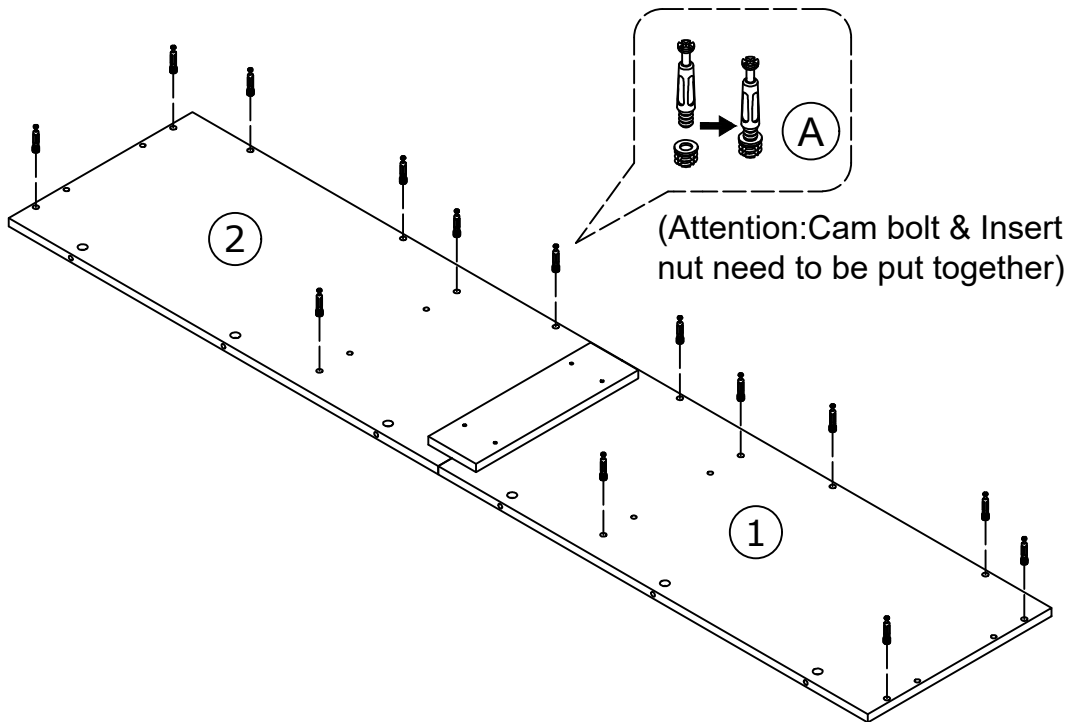
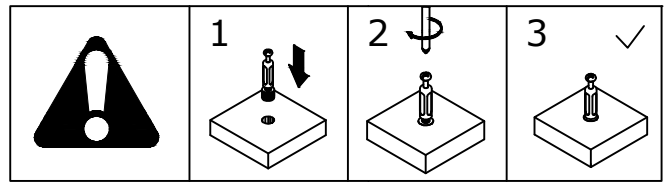
- Insert wood dowels (C) into panel (1) & (2) .
- Attach panel (1) to (2) and lock with cam (B) .
- Attach panel (12) to (1) & (2) with screw (G) .



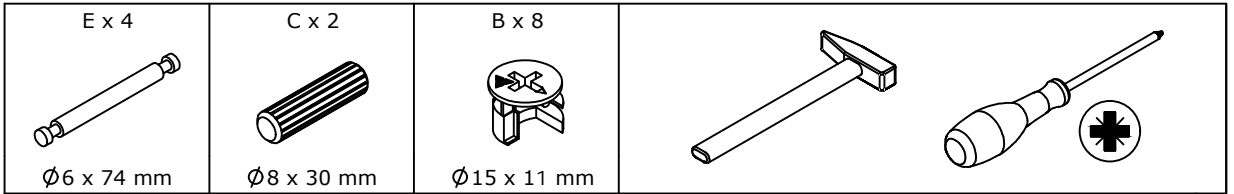
4



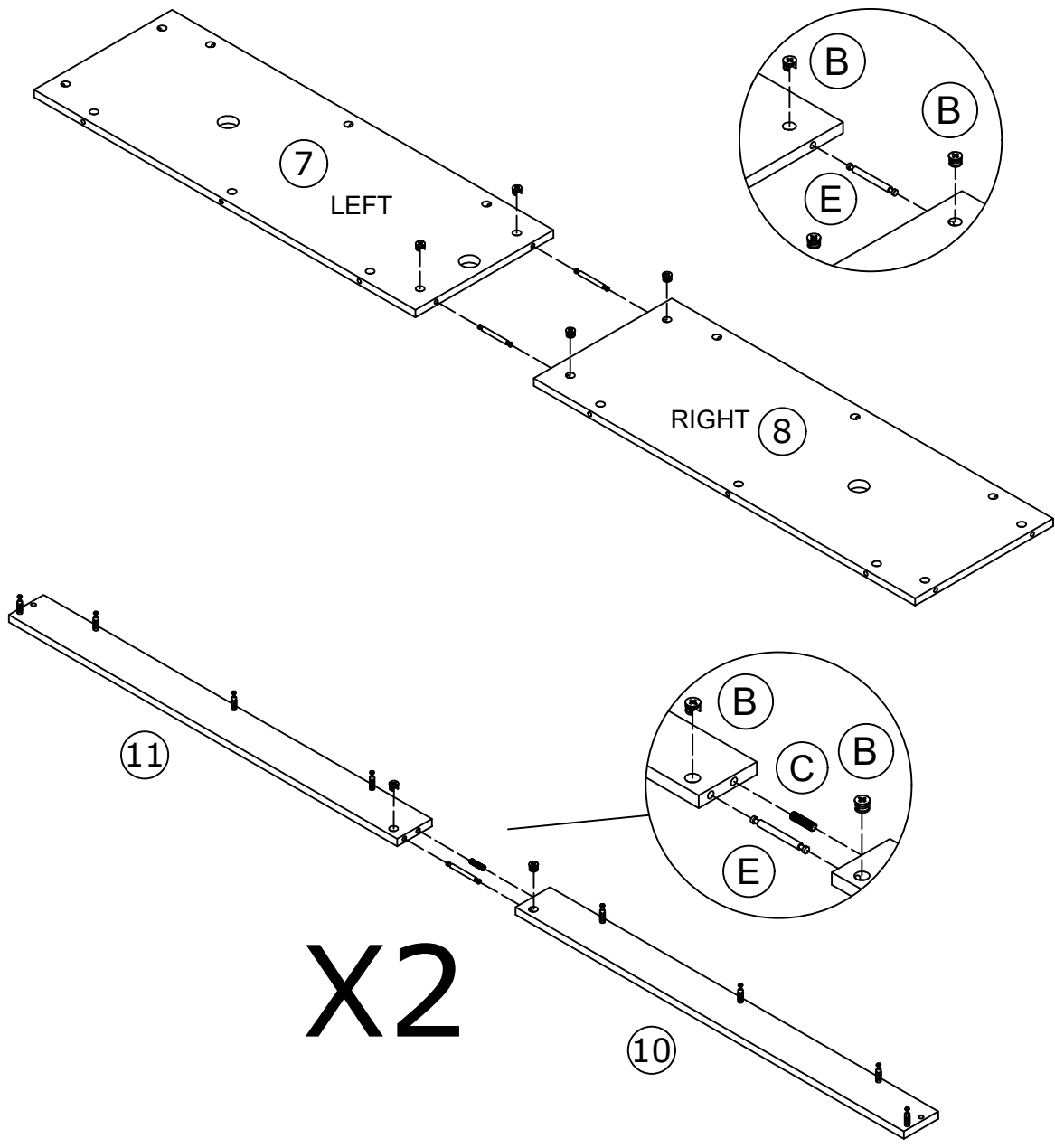
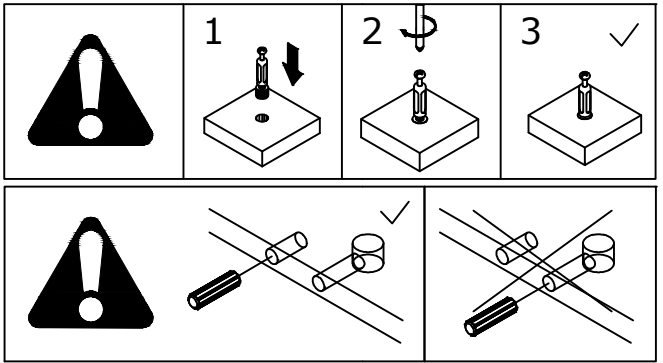
- Screw the cam bolt (A) into the panel (1) & (2) & (10) & (11).



5



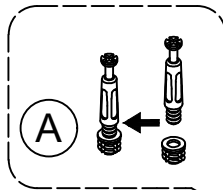
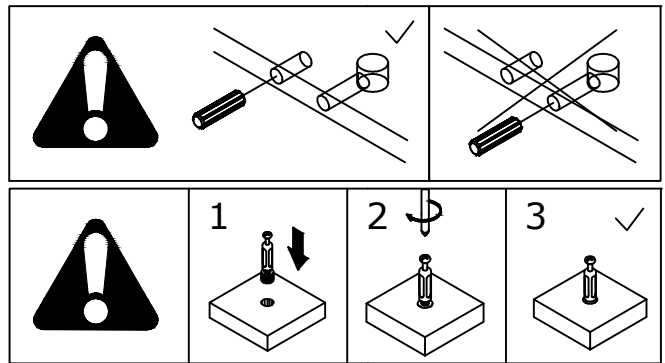
- Attach panel (7) to (8) and lock with cam (B)
- Insert wood dowels (C) into panel (10) & (11).
- Attach panel (10) to (11) and lock with cam (B).



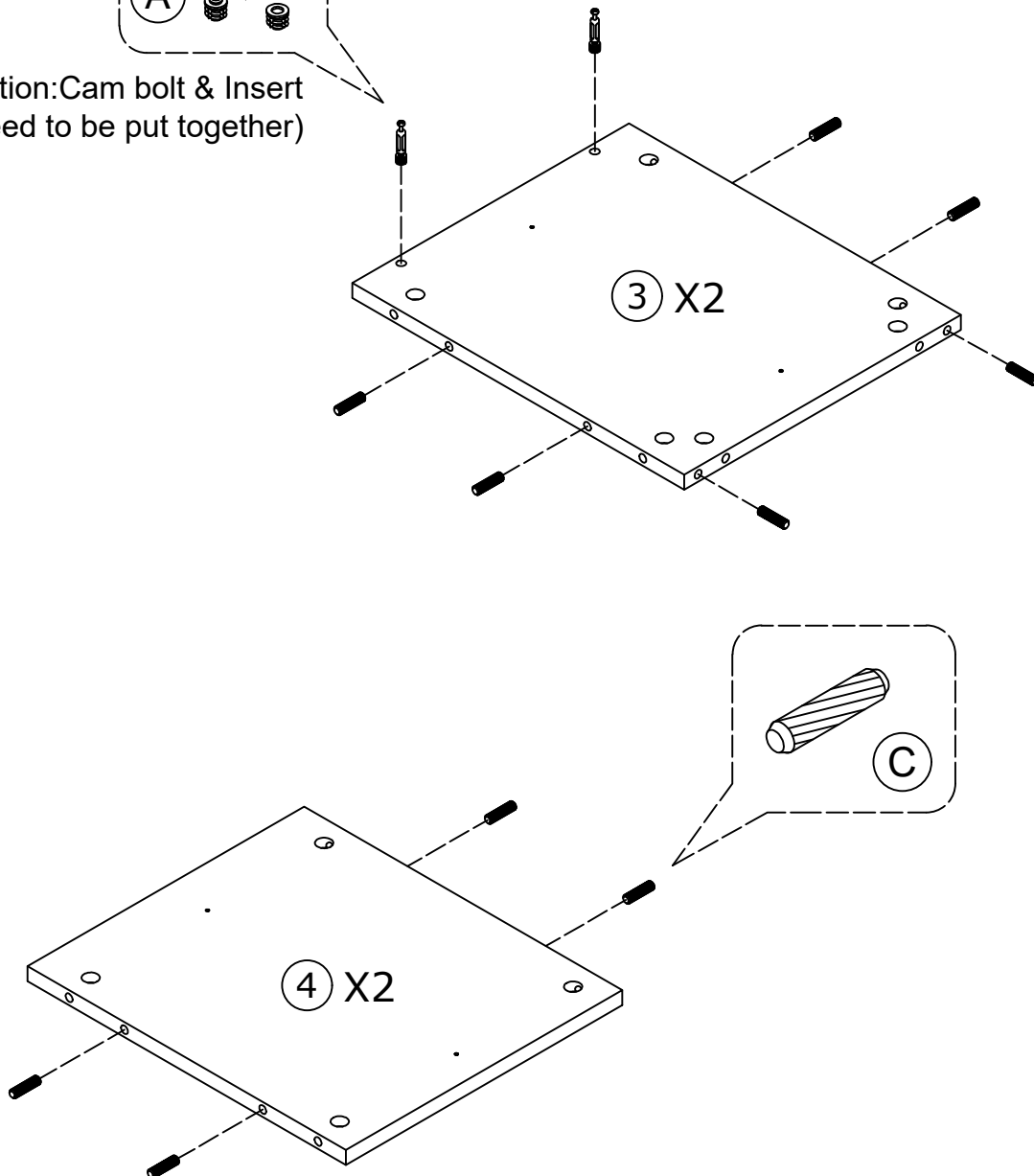
6



- Screw the cam bolt (A) into the panel (3).
- Insert wood dowels (C) into panel (3) & (4).



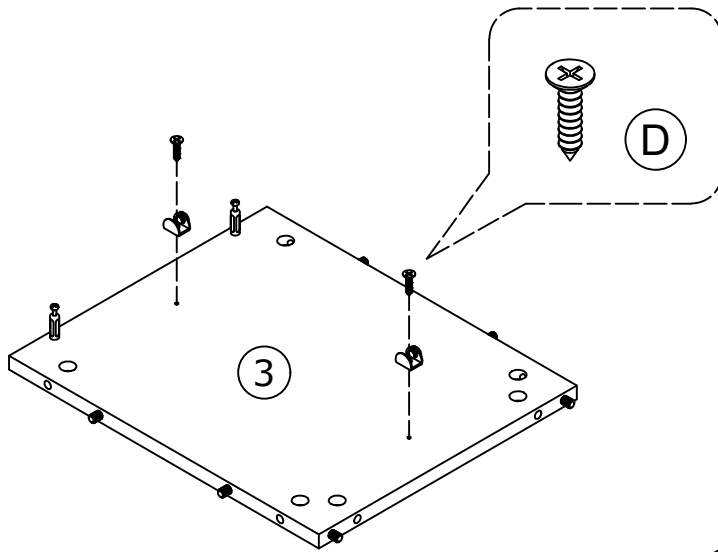
(Attention: Cam bolt & Insert nut need to be put together)



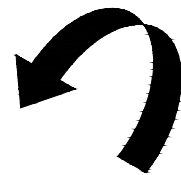
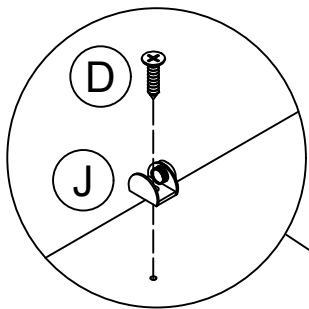
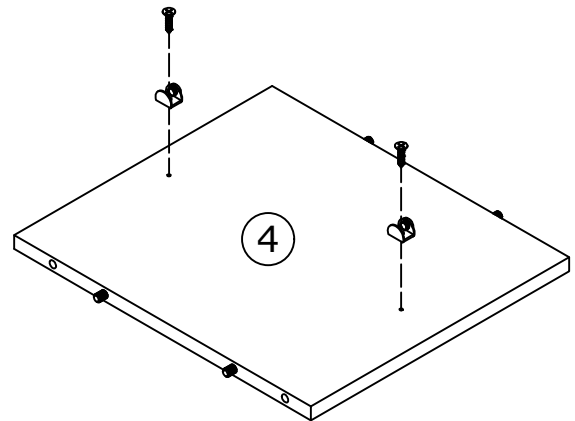
7



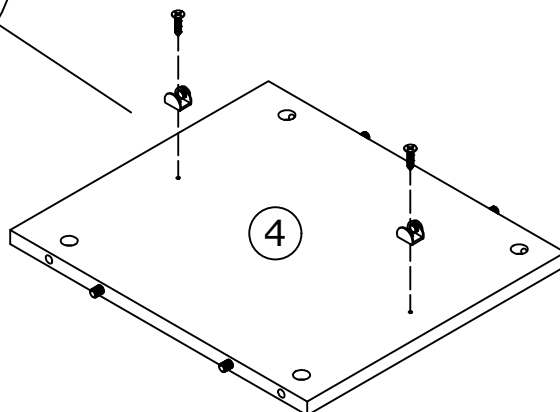
- Fix part (J) to plate (3) & (4)
using screw (D) as shown.



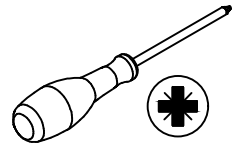
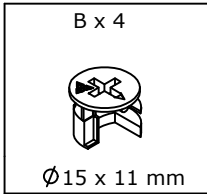
X2



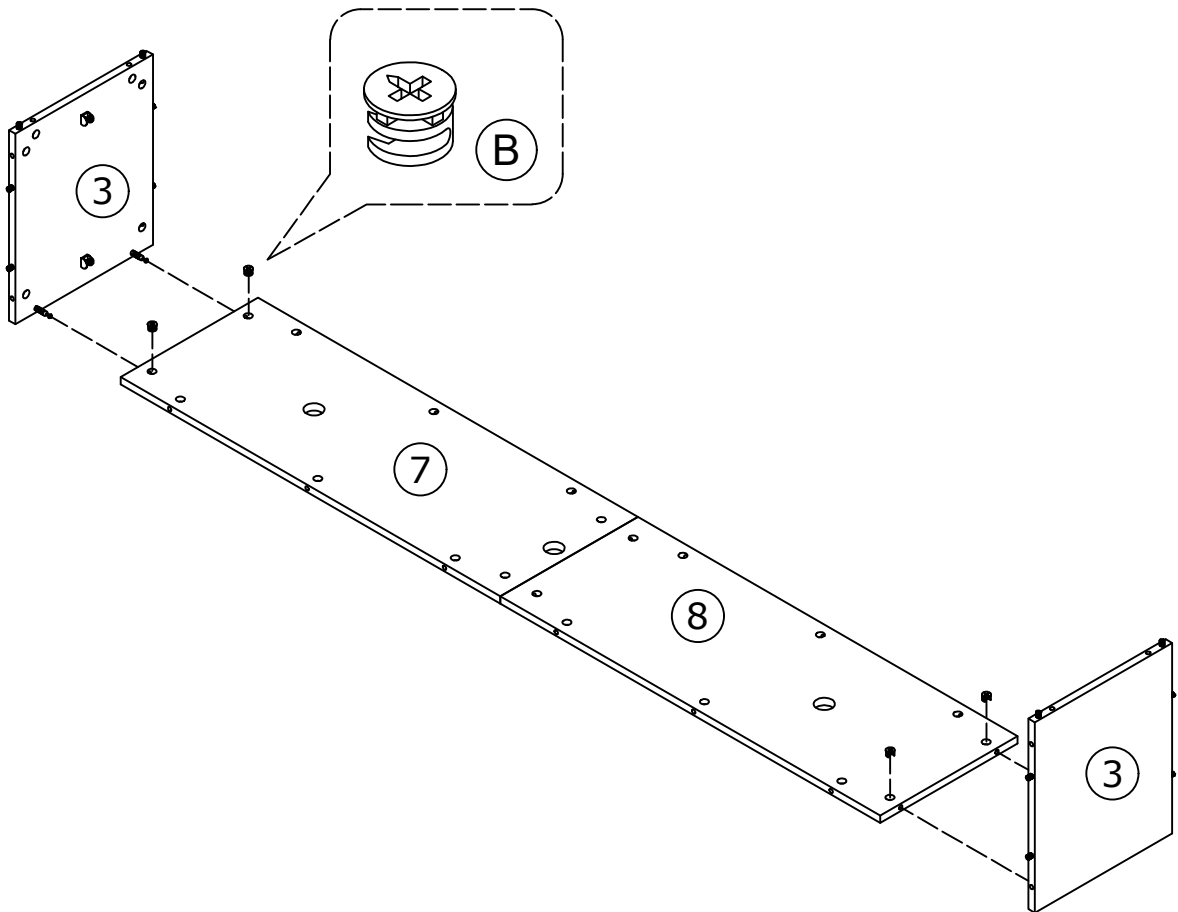
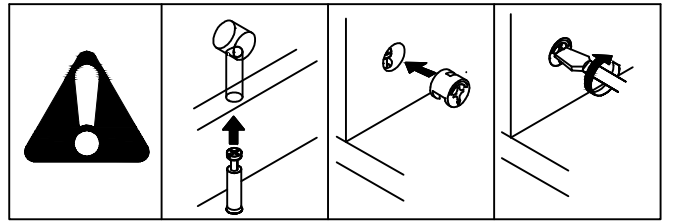
ROTATE 180°



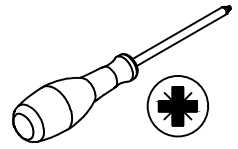
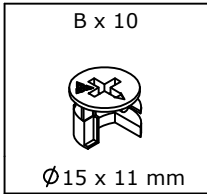
8



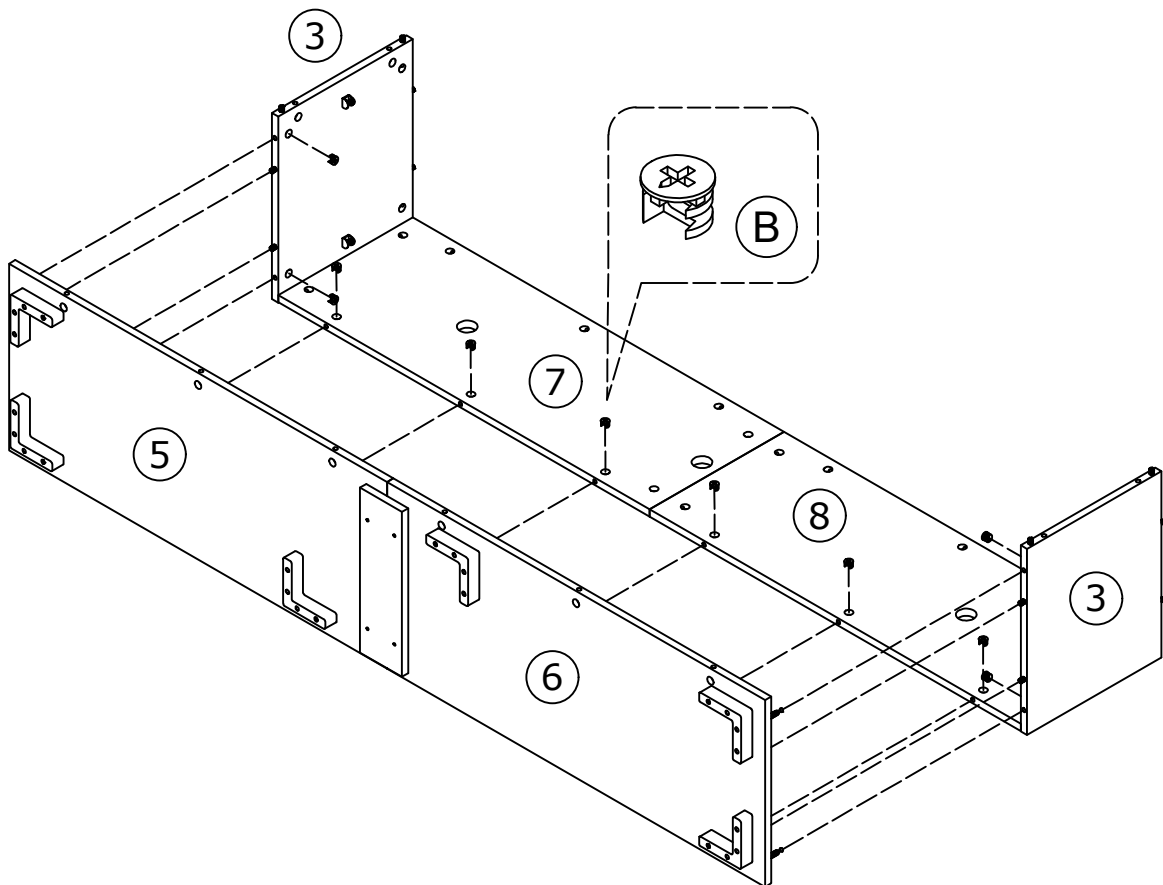
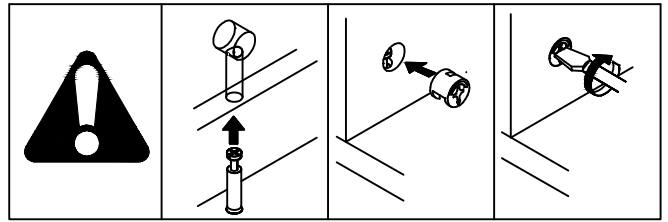
- Attach panel (3) to (7) & (8) and lock with cam (B).



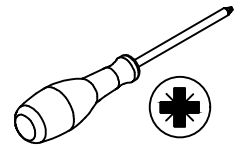
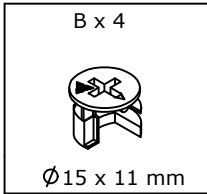
9



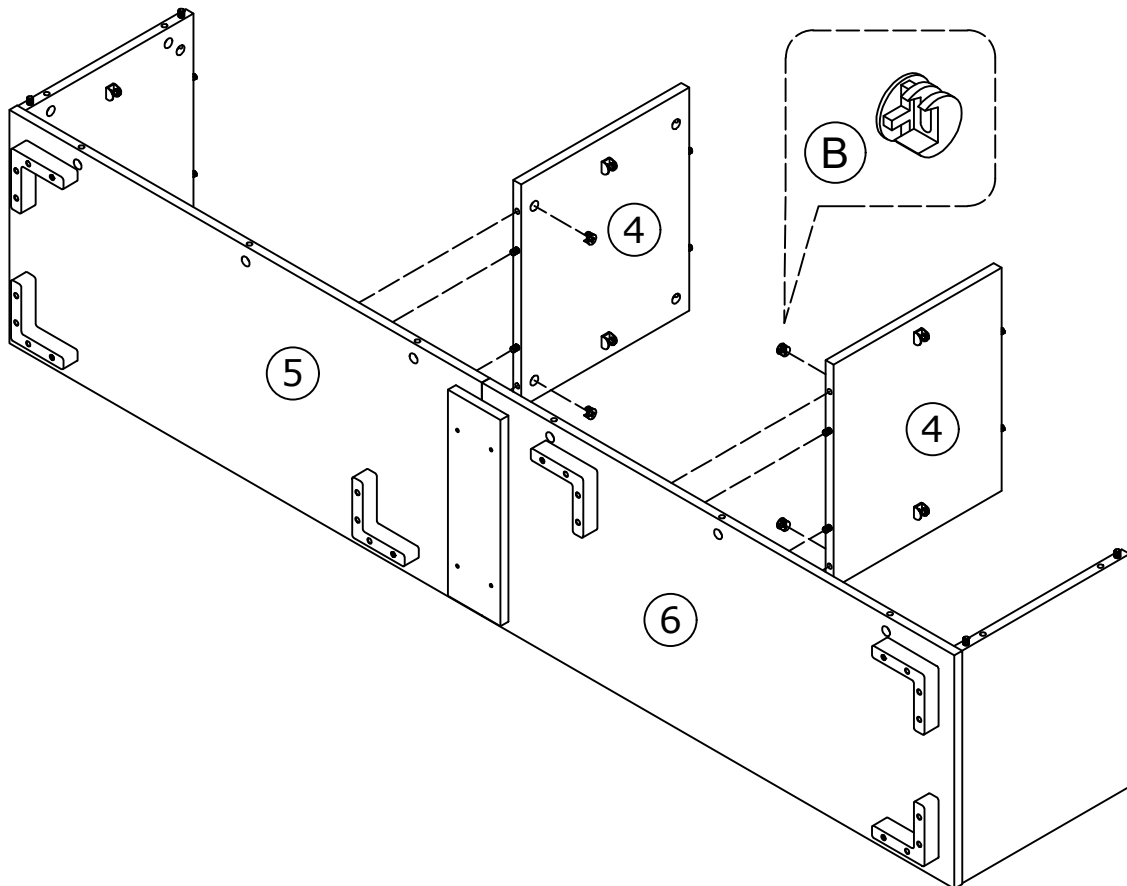
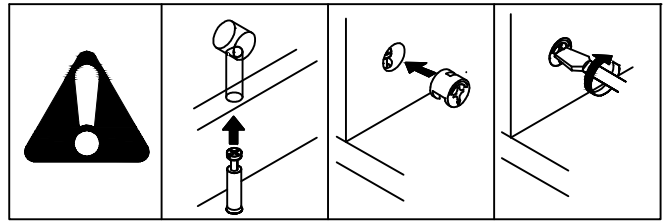
- Attach panel (5) & (6) to (3) & (7) & (8) and lock with cam (B).



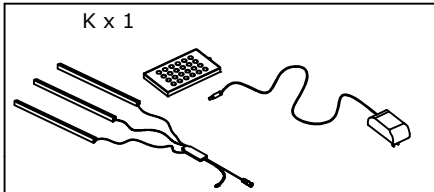
10



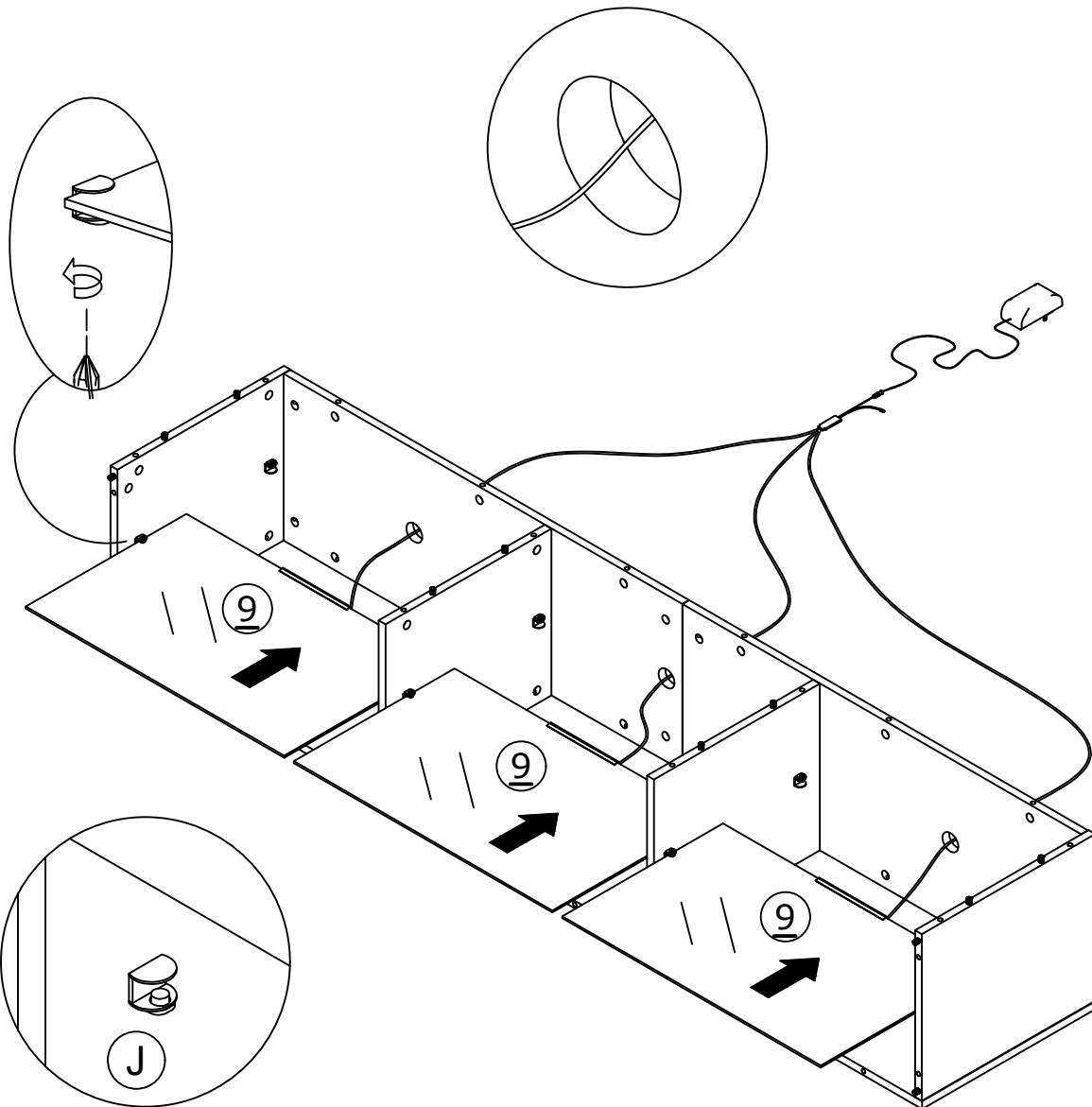
- Attach panel (4) to (5) & (6) and lock with cam (B).



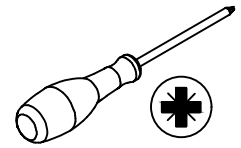
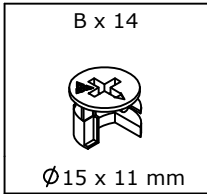
11



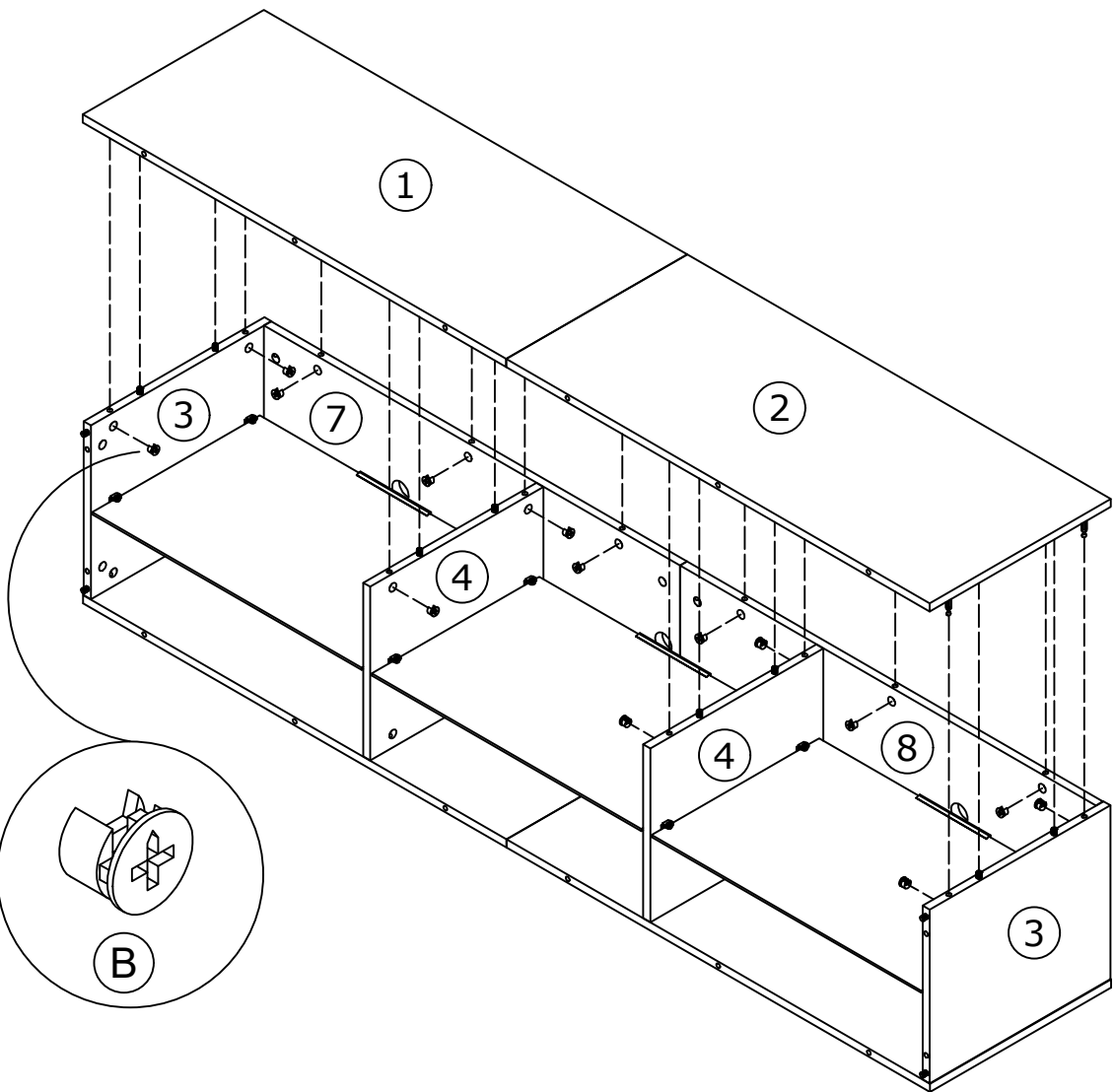
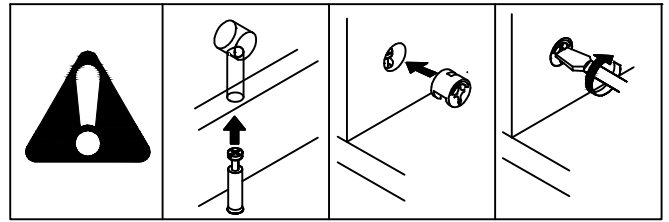
- Place glass panel (9) at the slots of part (J) and fix it .
- Insert the lamp trough into the glass



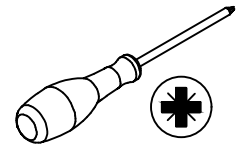
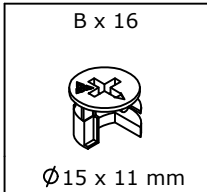
12



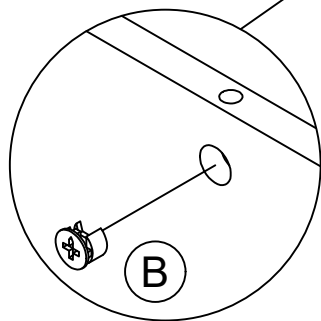
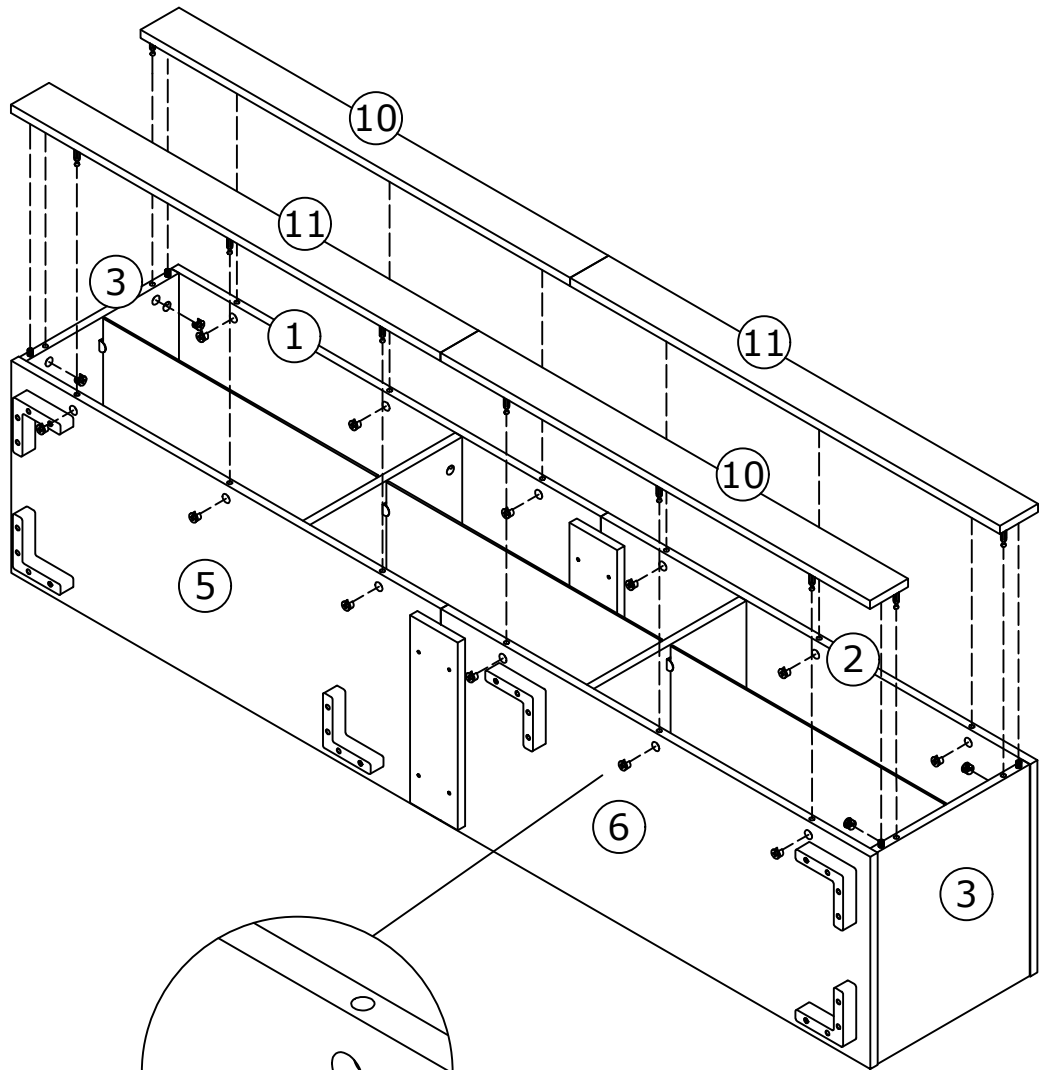
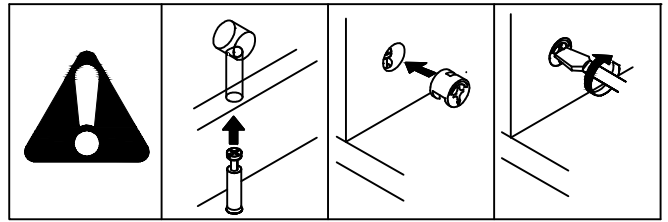
- Attach panel (1) & (2) to (3) & (4) & (7) & (8) and lock with cam (B).



13



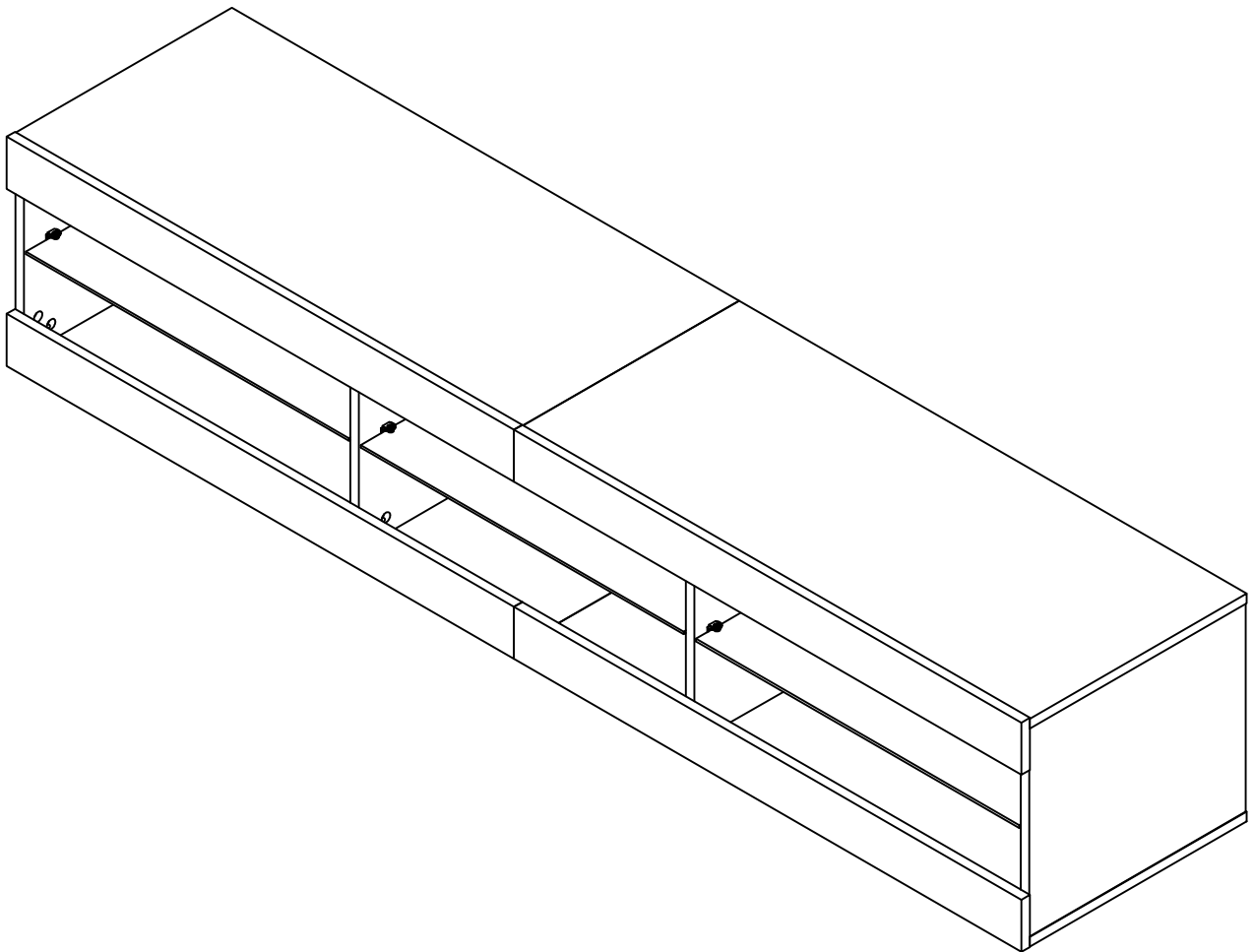
- Attach panel (10) & (11) to (1) & (2) & (3) & (5) & (6) and lock with cam (B).



14

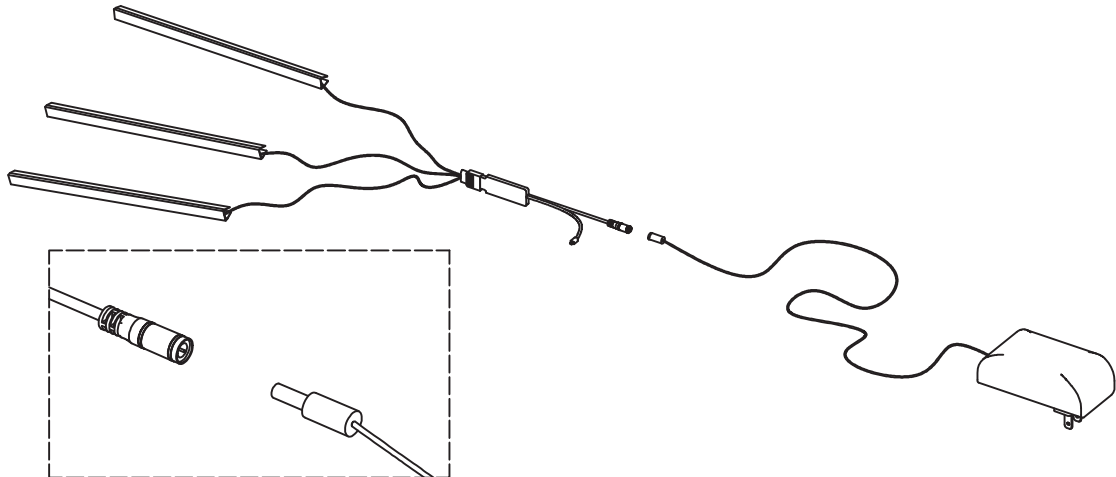


- Installation complete.

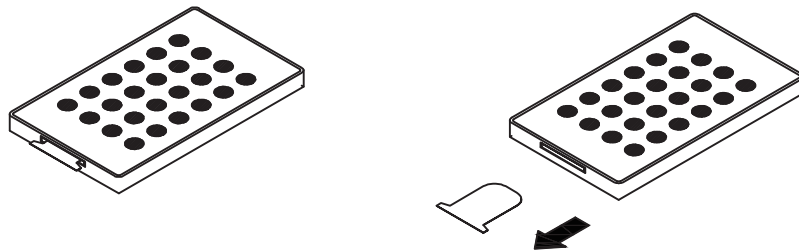


15

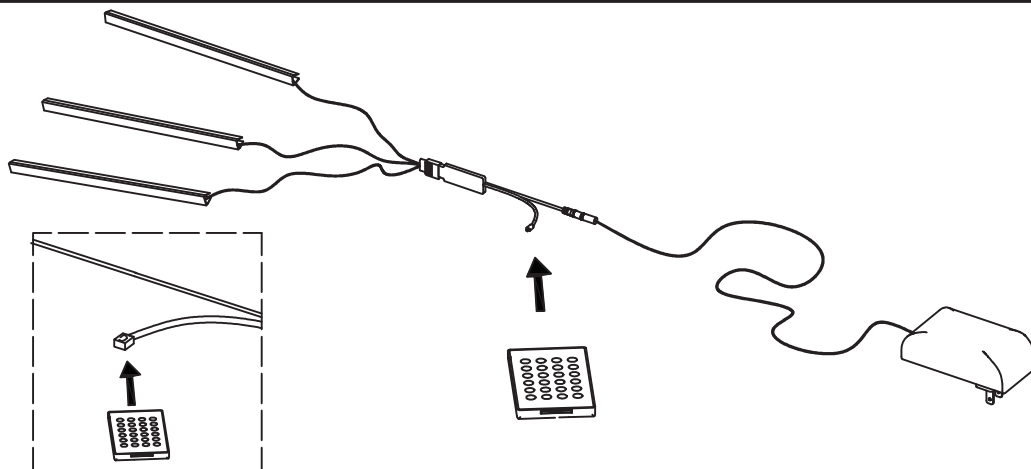
- Specifications of battery:cr2025 3v
- LED lamp with effective remote control distance of 5 meters



1.Connected power adapter to the RGB control box .



2.Take out the remote control gasket



3.Align remote controller to the RGB Control box to adjust the color mode

16

APP PROGRAM USAGE

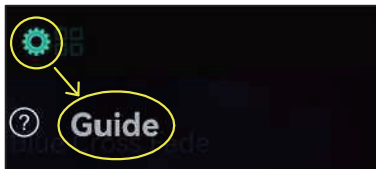


Scan two-dimensional code download APP

- ① Connect LED color strip and controller, power on controller
- ② Scan two-dimensional code download APP:



- ③ Start APP, search and connect controller
- ④ Enjoy the Bluetooth wireless control experience



Notes:
detailed operating instructions,
enter the menu "Guide":

- Product Paramters:
- Bluetooth: BLEV4.2
 - Input Voltage:4.5~26V
 - Working Temp:-25~75°C
 - Size:43*22*11mm
 - Weight:30g
 - Max Power:144W(24V)

LED mobile phone Bluetooth controllerProduct Features

- LED Bluetooth controller is directly via mobilephone control remote distance can reach 20m without the need to set up, easy to connect open the software within 5 seconds you can automatically connect the controller
 - Flow the rhythm of the music changes
 - Group control
 - Brightness, speed addition and subtraction
 - Maximum can be 10 meters RGB(W) strip
 - The software shows that the text is based onthe language of the mobile phone set up automatic transformation of Chinese and English
- Animation Effect:
- Colorful gradient
 - All kinds of monochrome, double color gradient
 - All kinds of monochrome, double color,colorfull flashing
 - Colorful jump
 - Follow the thyrhm of the music chagnes