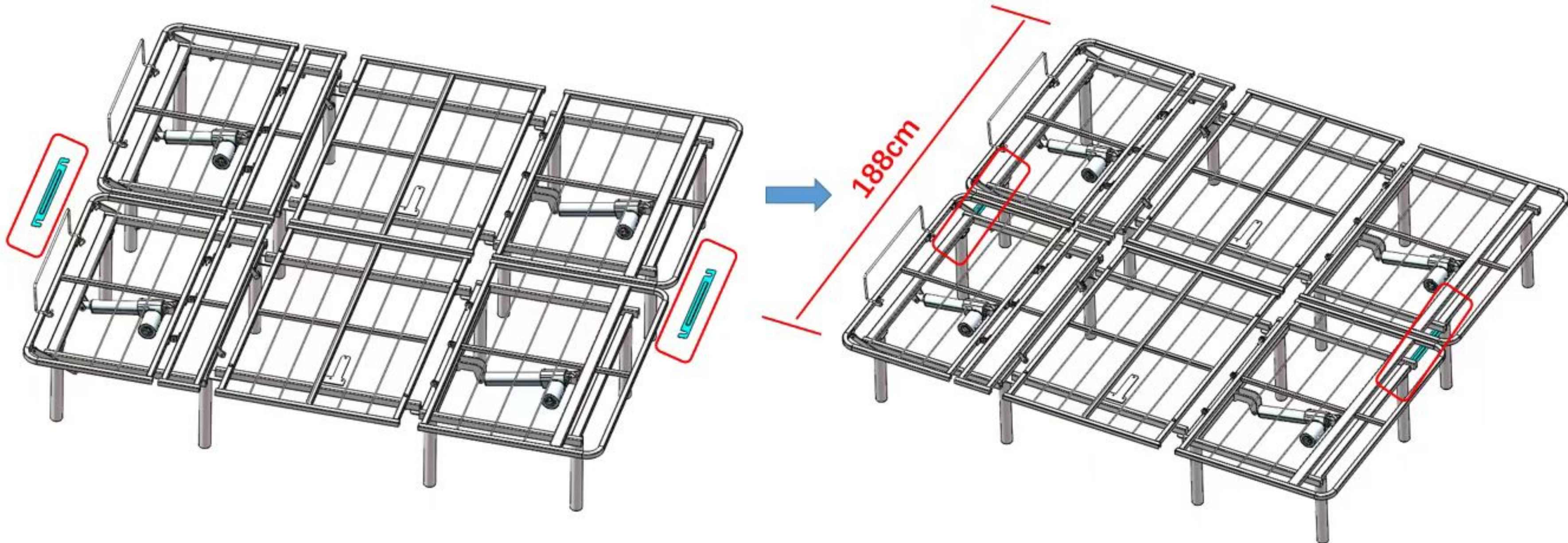
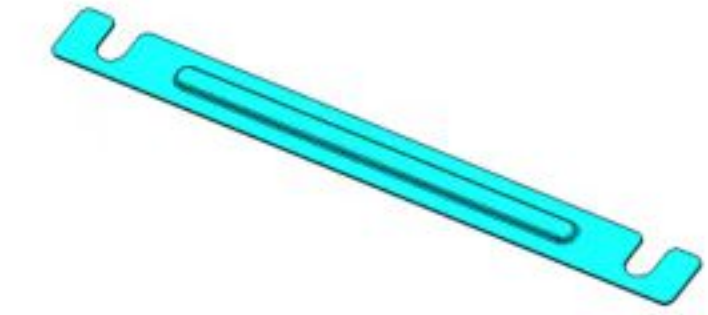


Base connection

Function: Connect two TXL adjustable beds to become a King size bed.

Features:

- The part is steel material with rib - high strength and make the bed much stable
- Snap-in structure - easy to assemble and disassemble, connect two beds in one minute.



Step 1: Assemble two beds and put them side by side

Step 2: Loosen two bed foot

Step 3: Snap the connection into the gap between base and bed foot.

Step 4: Tighten two bed foot.

Step 5: Same procedure to the other side of bed.

