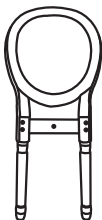


ASSEMBLY INSTRUCTIONS

HW57460BE/GR

Ax1

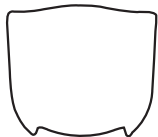


Ex9



M8x65mm

Bx1



Fx1



M8

Cx2



legs

Gx9



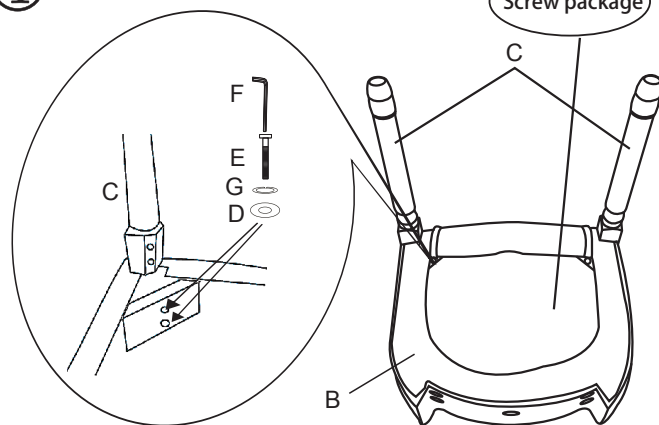
M8

Dx9



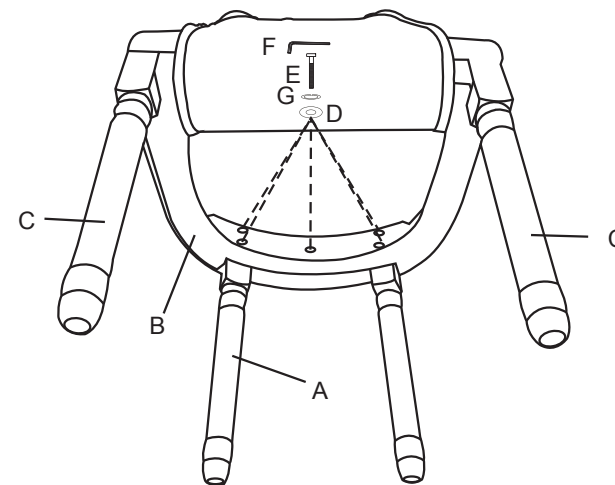
M8x22x2mm

①



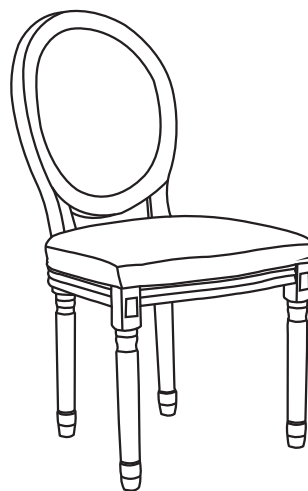
Tighten the screws to 80% tightness.

②



Tighten the screws to 80% tightness.

③



Adjust the chair balance, then tighten the screws to 100% tightness.

WARNING:

DO NOT STAND ON THE PRODUCT, DO NOT USE THIS PRODUCT AS A STEP LADDER.

DO NOT USE THIS PRODUCT UNLESS ALL BOLTS, SCREWS AND KNOBS ARE FIRMLY SECURED.

PLEASE DO NOT USE KNIFE TO OPEN ANY PARTS OF THE BOX OR PRODUCT.