

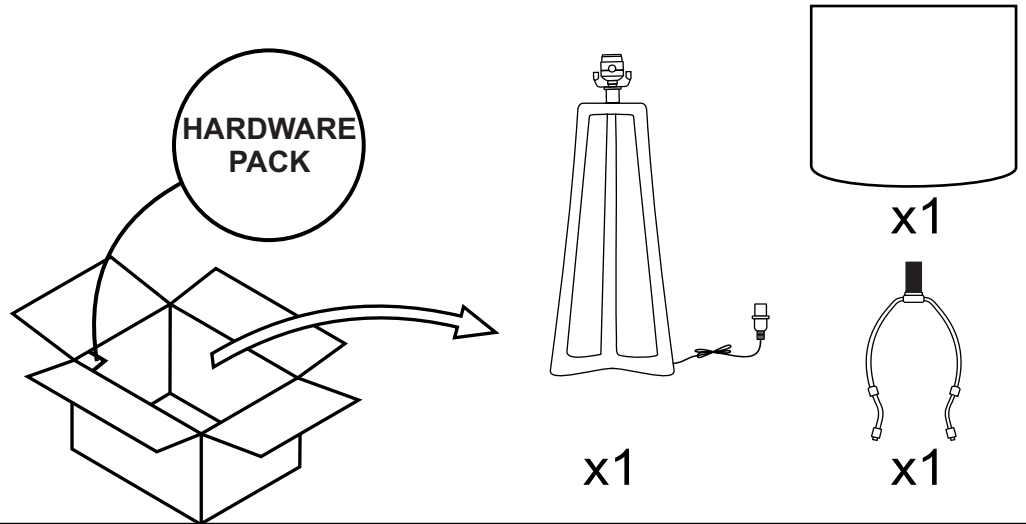
## **IMPORTANT SAFETY NOTICE : READ CAREFULLY BEFORE BEGINNING ASSEMBLY !**

- \* Suitable for use indoors (25C).
- \* Always use proper tools.
- \* Follow the assembly steps in order. Do not skip any steps.
- \* Be sure to check all packing materials carefully for small parts may have come loose inside the carton during shipment. If parts are missing, contact the retailer from which you purchased the product to obtain any missing parts. DO NOT USE SUBSTITUTE PARTS.
- \* Periodically check to ensure that all connectors (bolts, screws, etc.) are tight.
- \* Keep the instructions for future reference.
- \* Same assembly may involve attaching glass or mirrors. Be very careful handling the glass or mirrors, as severe injury may result if the glass or mirror breaks. Never handle large pieces of glass or mirrors by yourself.
- \* When assembling products that have electric cords (lamps, light, etc.), Always (1) make sure the electrical cord is unplugged before assembly and (2) be careful not to twist the electrical cord during assembly.
- \* When assembling shelves or entertainment centers, do not stand on lower shelves in order to assemble upper shelves-use step ladder
- \* Do not stand on tables, including but not limited to, end tables, coffee tables, and dinner tables, as tables are not to support the weight of a person.
- \* Where assembly instructions state that the assembly required two or more people, do not attempt by yourself as there is a risk of injury.
- \* The external flexible cable or cord of this luminaries cannot be replaced, if the cord is damaged, the furniture shall be destroyed.

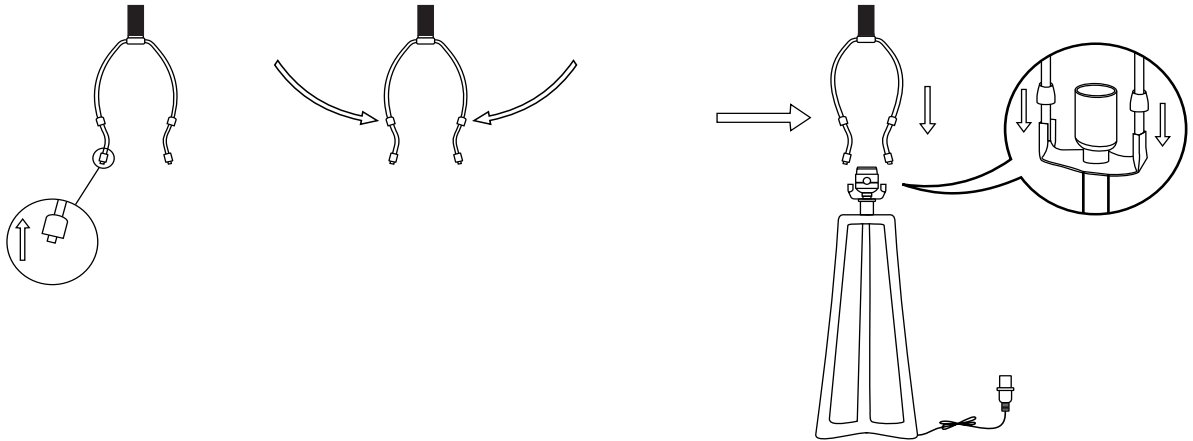
If the external flexible cable or cord of this luminaire is damaged, it shall be exclusively replaced by the manufacturer or his service agent or a similar qualified person in order to avoid a hazard.

1

Note: The clear plastic washer should hold the final straight, please don't throw it away.



2



3

