

ASSEMBLY INSTRUCTIONS



Fine Furniture for every stage of life

Dining Side Chair

ASSEMBLY INSTRUCTIONS

ASSEMBLY TIPS:

1. Remove hardware from box and sort by size.
2. Please check to see that all hardware and parts are present prior to start of assembly.
3. Please follow attached instructions in the same sequence as numbered to assure fast & easy assembly.



WARNING!

1. Don't attempt to repair or modify parts that are broken or defective. Please contact the store immediately.
2. This product is for home use only and not intended for commercial establishments.

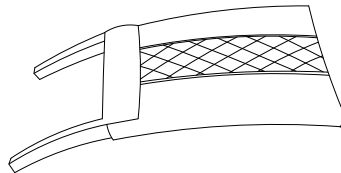


ASSEMBLY TIME

15 MINUTES

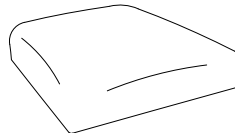
PARTS IDENTIFICATION

A BACK FRAME



1PC

B SEAT CUSHION WITH FRAME



1PC

C FRONT LEG



2PCS

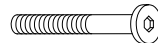
HARDWARE IDENTIFICATION

1 LONG BOLT
(M6 X 80MM RBW)



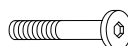
4PCS

2 MEDIUM BOLT
(M6 X 60MM RBW)



4PCS

3 SHORT BOLT
(M6 X 40MM RBW)



2PCS

4 LOCK WASHER
(M6 X 13MM RBW)



10PCS

5 FLAT WASHER
(M6 X 19MM RBW)



10PCS

6 ALLEN WRENCH
(M4 X 110MM RBW)



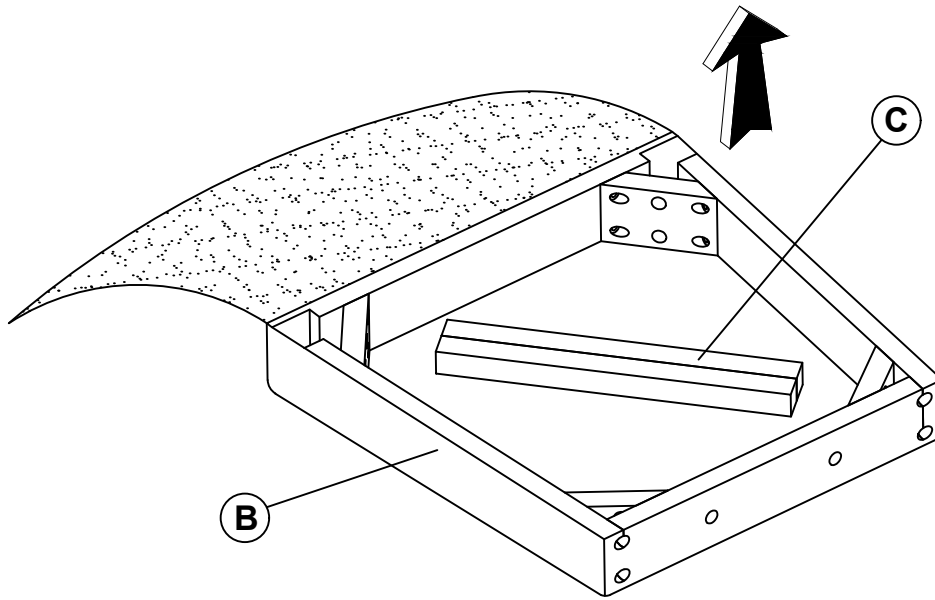
1PC

NOTE:

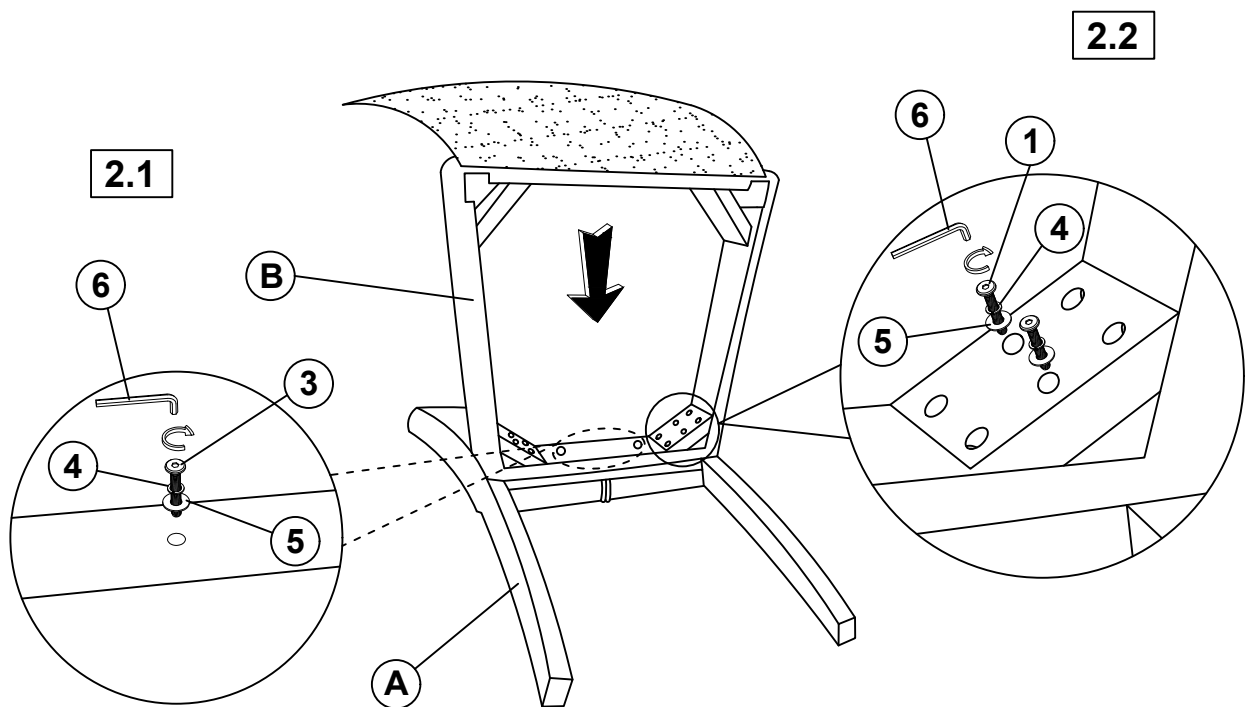
Quantities shown are for one chair.

ASSEMBLY INSTRUCTIONS

STEP 1

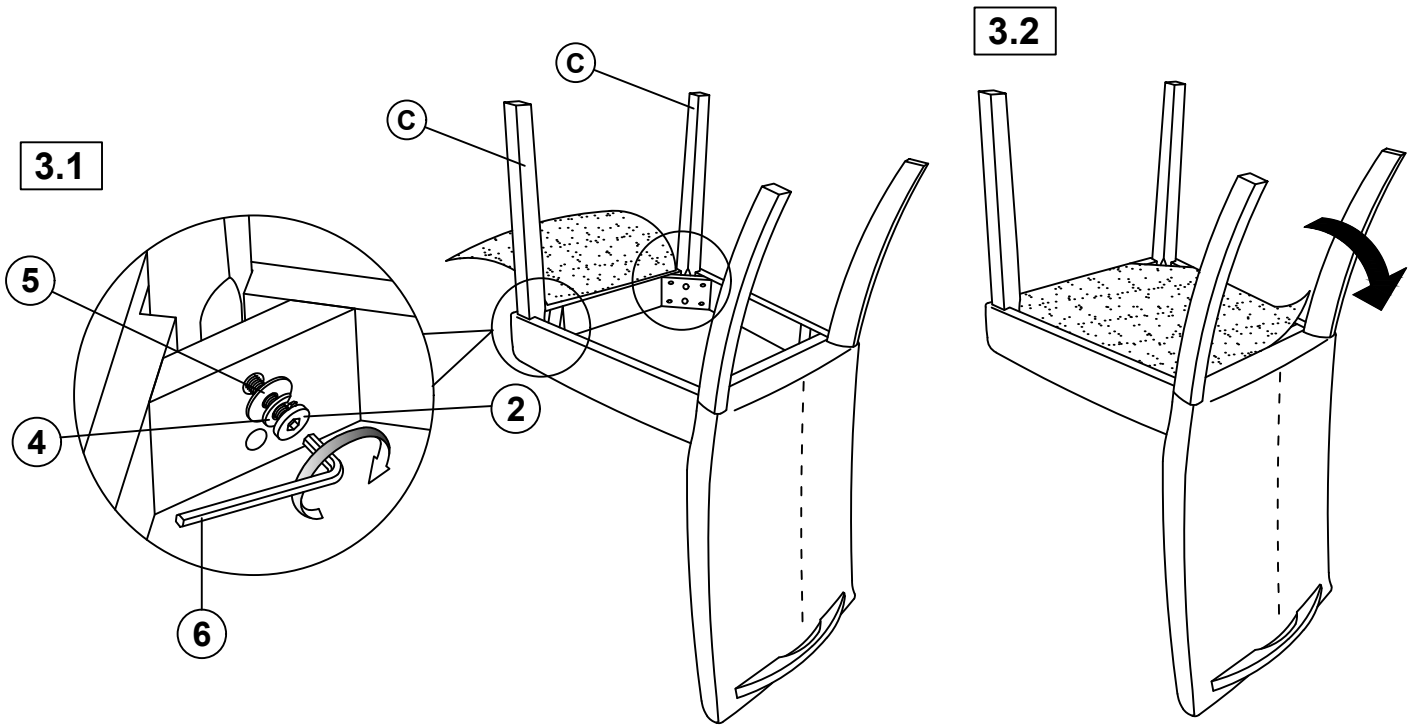


STEP 2

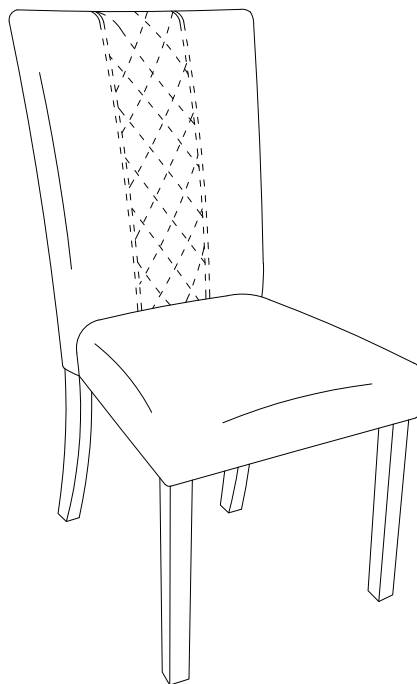


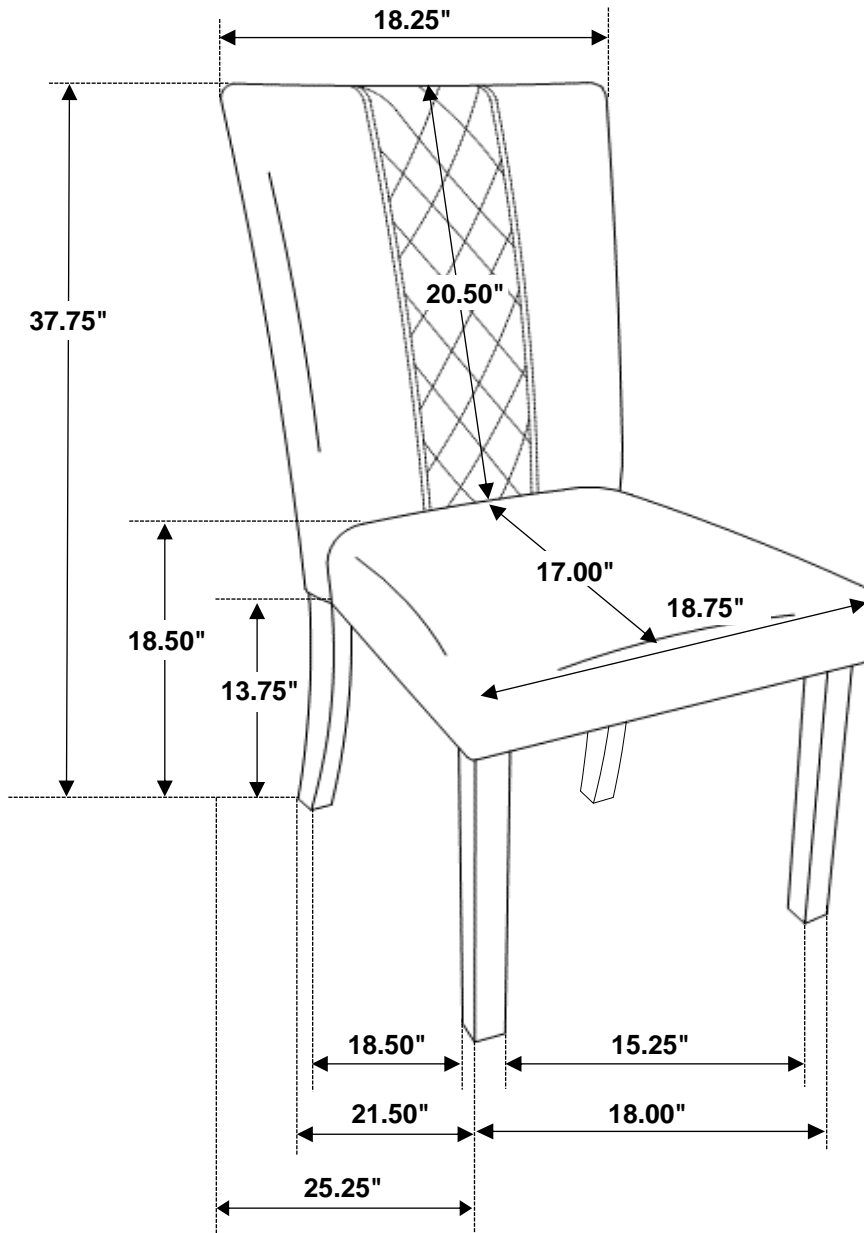
ASSEMBLY INSTRUCTIONS

STEP 3



STEP 4 COMPLETE





Note: Dimension tolerance $\pm 5\%$