

INSTRUCTIONINSTALLATION GUIDE

Execution standard:

GB 6675-2014 《TOY SAFTY PART I: Basic specification》

GB 6675.2-2014 《TOY SAFTY PART II: Mechanical and physical properties》

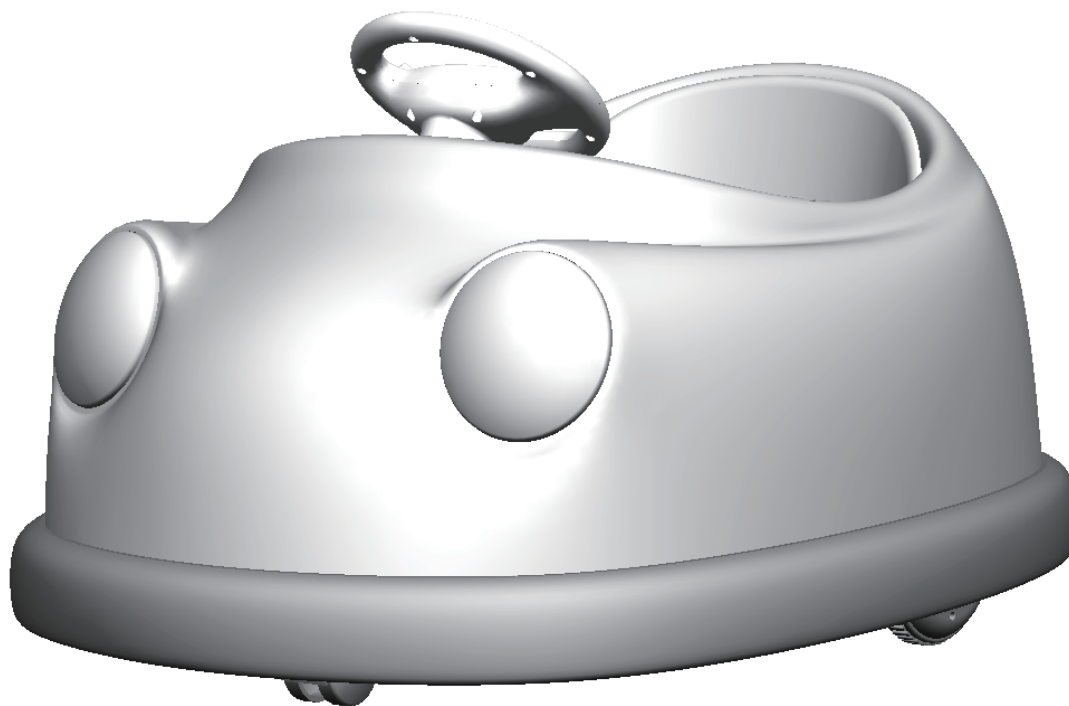
GB 6675.3-2014 《TOY SAFTY PART III: Flammability test》

GB 6675.4-2014 《TOY SAFTY PART IV: Migration of specific elements》

GB19865-2005 《ELECTRIC TOY SAFTY PART》

(once appropriate)

Age: 37-72个月



Picture for your reference only

This instruction is important please keep bikeefully.



Max weight is 20KG

This product should be installed by adults.

Please charge 4-6 hours for sure before first use.

Please read this instruction bikeefully before use and keep it safe for sure for your future checking.

Catalogue:

- Before use - - - - -
- Specification - - - - -
- Cautions for safety - - - - -
- Opponents illustration - - - - -
- Explosion - - - - -
- Assemble chart - - - - -
- Instruction - - - - -
- Protector - - - - -
- Charging - - - - -
- Care and maintenance - - - - -
- Trouble shooting - - - - -

Before use:

Please read our installation instruction carefully before use, to avoid the damage to the bike and the physical harm caused by unsafe utilization. Please make sure to teach your kid to safe use the bike, and keep this instruction for your future use.

Specification:





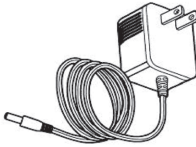


External Dimensions	78x68x48CM	Lead-acid battery	6V4. 5AH *2
Age	37-72months	Lead-acid charger	6V0. 5A
Weight Limitation	20KG	Charging Time	8-12 hours
Speed	3-7km/hr	Lithium-Ion battery	
Specification of protector	Self reset protector 7A	Lithium-Ion Battery Charger	
Battery	Charging	Charging Time	5-8hours
Electric Motor	Drive RS380 12VDC RPM 13000*2		

Cautions for safety:

- 1.To protect from the harm of the small opponents, kids below 3years old are not allowed to ride this bike.
- 2.To avoid the potential dangerous about the opponents of their sharp edges or points, this bike should be installed and checked by adults.
- 3.Please keep the kids far away from the package poly bags, to avoid the choke if kids put their heads into the poly bag.
- 4.Please for sure to wear the helmet when ride the bike, and the adults should take care of the kids when using the bike.
- 5.This bike’s load limitation is 20KG, and applicable age is from 37 to 72months. It is only allowed one kid to ride on it, please follow this instruction.

6. This bike is suitable for flat road, please do not ride it in sand or rough road.
7. This bike is not a transportation, please do not ride it on traffic road.
8. Please switch the button of forward or backward when the bike is stopped, do not switch during the riding.
9. When ride forward, please do not push towards backward or push from the side, it will cause the bike rollover.
10. Battery charging should be done by the adults, the kids are not allowed to charge the bike.
11. To avoid the damage to the circuit, please use a cloth to wipe the bike, do not use water to clean the bike or locate it outside in the rain.
12. It is suggested to exam the bike every half month, especially electric wires, charger, outside surface, steering system, and other important opponents. It should be stopped to use once any discrepancy.
13. The power and charge of this bike is not a toy, kids are not allowed to play them like a toy, it's dangerous.
14. Please use the charger that we supplied, and charge with stable charging voltage to extend the using age of the battery.
15. Do not make power supply and circuit shortcut, it will cause the burning of the bike.
16. Keep the bike away from the high-temperature objects, to protect the plastic melted. And keep away from the flammables when charging, to avoid a fire.
17. Please do not use different type of defender.
18. Do not mix to use the new and old battery, once it is run out of battery, please take it out and put a new one into the box. Please throw away the old dry cell into the cell recycle basket.
19. When the bike is not going to be used for a long time, please take away the red wire form the bike, and make sure the switch is on the "OFF" side.
20. The bike is prohibited to exposed in the sunlight and please do not use it under the rain.
21. There is important information on the package, please keep safe for future use.
22. Merchandiser, distributor or buyer is not allowed to refit the car on their own, unless they should take responsibility of the consequences.

Spare parts figure:

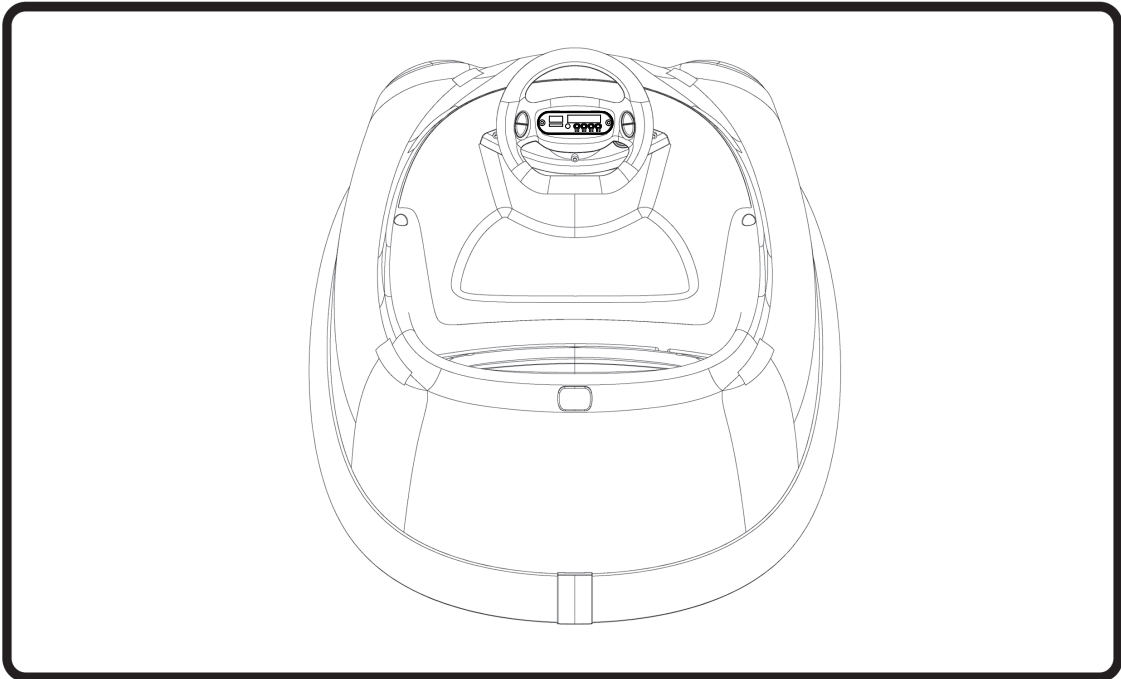
	<p>Instruction *1</p>  <p>⑪</p>
<p>4G remote *1</p>  <p>④</p>	<p>Wheel *1</p>  <p>⑤</p>
<p>Charger *1</p>  <p>⑦</p>	<p>Srewdie*1</p>  <p>nut *1</p>  <p>⑧</p>

Dry battery warning (optional):

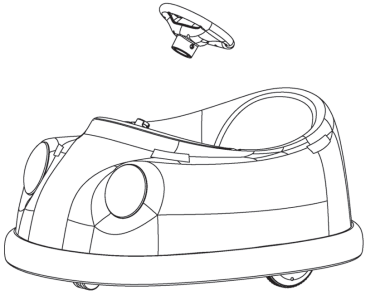
1. Do not change the structure or circuit system of the product without authorization.
2. Do not use the toy for other purposes.
3. Place the battery with correct polarity.
4. Do not short circuit the batteries.
5. Non-rechargeable batteries are not allowed to be charged.
6. Chargeable batteries should be charged under adult supervision.
7. Old and new batteries, and different types of batteries are not allowed to be used together.
8. The exhausted batteries should be removed from the product and throw into the toxic wastes box to prevent kids from playing with them.
9. The batteries should be taken out of the bike when it is not used for a long time, and put the batteries in a safe placement and make sure kids cannot reach them.



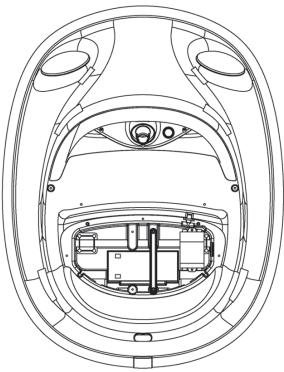
Bike Structure:



Installation:



1. Take out the wheel, connect the wire from the wheel to the bike by same wire color.
2. Insert the wheel to the instrument panel, use the screwdriver from the wheel and take it back to the wheel and fasten the nut.

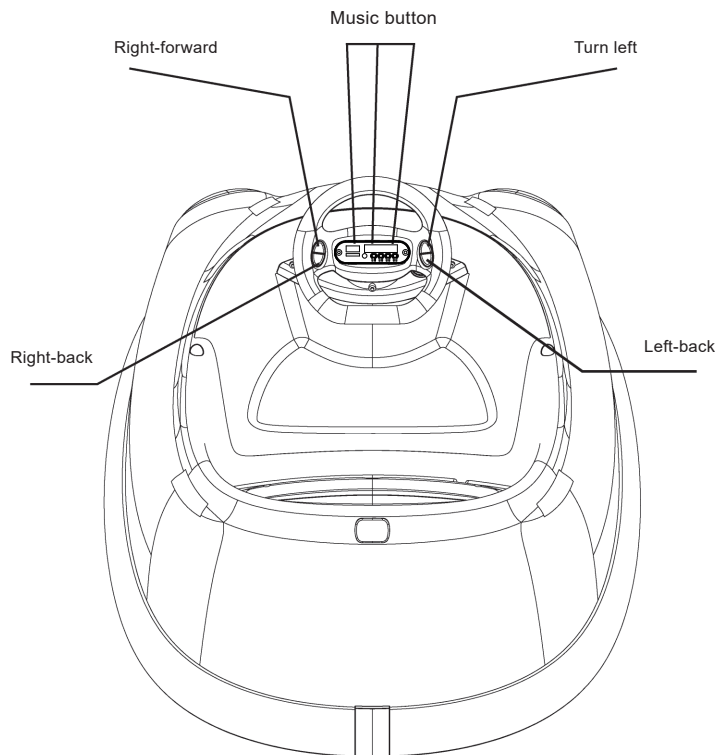


3. Use a screwdriver to open the seat, find the red positive wire and connect to the positive terminal on the battery. And switch " ON" to test.
4. Put the seat back to the bike and fasten the screwdriver.

Instruction:

Before use, please make sure the positive and negative wire is correctly connected to the battery.

- 1.This bike includes the function of music playing and remote control. The adults can choose remote control or let the kid ride the bike on their own. Music button is in the center of the instrument panel as below picture.pre
- 2.When ride the bike with speed slow down, please stop and charge the battery. During the charging, battery will be warm as it is releasing heat. But if your hand cannot touch the battery, please stop charging and check the problem.
- 3.Function, as below pictures:
 - 1)press left and right upper button together (in the instrument panel) to make the bike move forward.
 - 2)press left and right bottom button together (in the instrument panel) to make the bike move backward.



Press two forward buttons at the same time= go forward

Press press two back buttons at the same time= go forward

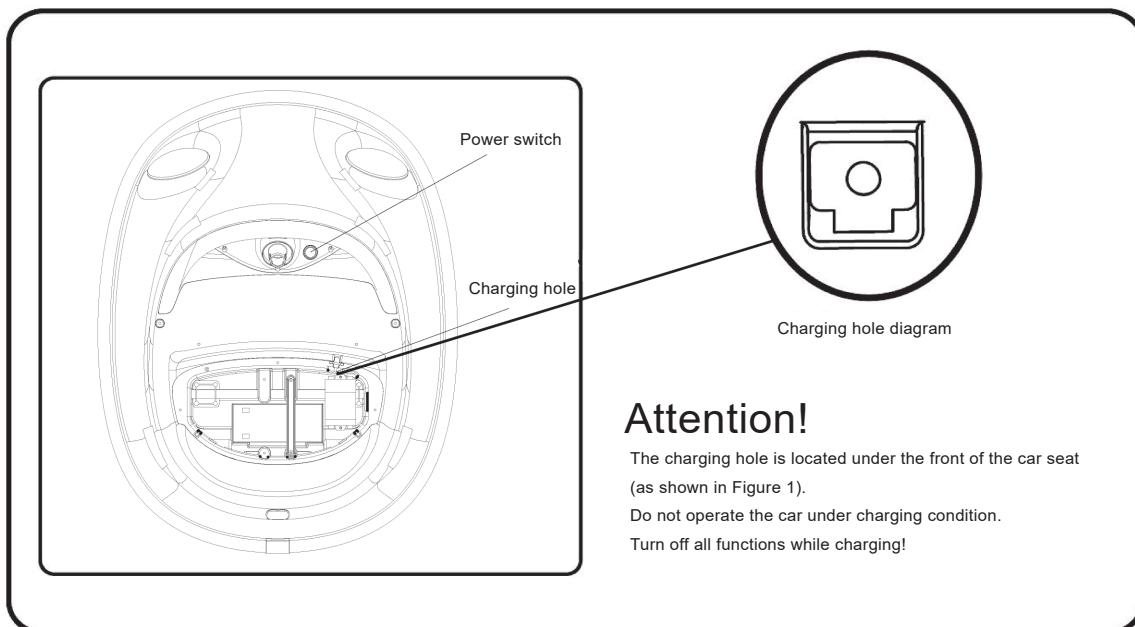
Defender:

We used auto defender to this bike, when over load and inappropriate use, the bike battery will stop power itself for 10-20 seconds, and restart itself. To protect the battery away from cutting the power, please follow below:

1. Do not over load, the maximum load weight of this bike is 20KG.
2. Do not ride it for a long travel and tow heavy objects behind the bike.
3. Do not drop water and other liquid to the battery , it will cause battery shortcut.
4. It is not allowed to change the circuit and the instrument of the bike.

Charging:

1. Please turn off the bike when charging and do not operate any to the bike.
2. Please connect the charger line head into the hole placed at the right front of the seat as below picture, no need to release the seat cover. Then connect the charge with appropriate voltage.



Attention:

- 1) Charging must be done by adults.
- 2) It is suggested to charge 8-12 hours when first ride.
- 3) Charging hours are from 8 to 12, do not exceed 15 hours, it will damage the battery.
- 4) It is not allowed to open or resolve the charger or battery. The bike must be connected with our charger and battery.
- 5) As the battery can be taken out, please make sure the battery is not bottom up when charging.
- 6) Before charging, please check the charger, battery, and plug, if any damage please stop using until fixed.
- 7) If the bike is not ride for a long time, please charge it every 3 month to extend the life of the battery.

care and maintenance:

- Every time before use, the family adults should check the main parts of the car, make sure the outfit and other parts is not damaged and the screws fasten well. Once found any unsafe please stop drive until all are fixed.
- Periodic check should be done regularly, and add lubricant to the iron parts of the car to avoid them rusted.
- The bike should be placed far away from the fire source and avoid long-time sunshine. The car should be placed upside up not upside down or slanted; during the wet weather, it should be placed inside or covered by waterproof hood.
- Do not put the car close to the stove or heater, high temperature make cause the plastic melted.
- Please use a clean soft cloth or non-waxy furniture finishing to polish the plastic parts of the car to make it as shining as the beginning. Do not use chemical solvent, soap or water to clean the car. Do not drive the car in the rain or snow.
- The illustrations included in this instruction are to describe the operation of the car and its construction; once the materials you received are not exactly same as the picture, please follow what you received as standard.
- In order to improve the quality of the product, we may upgrade the structure and the appearance partly, please understand.
- Please well keep this instruction as it includes important details of this car.

Trouble Shooting And Maintenance

Bike not move:

1. Check if the battery is short of voltage.
2. Check the positive and negative connection is correct.
3. Check the defender, and change it or reconnect the connection.
4. Check if the charging is on, once take off the charging line bike will be ok
5. Check the switch button is correct to turn on or turn off.
6. Check if the battery is damaged.
7. If the motor is damaged, please get fixed or changed at the distributor.

Slow speed:

1. Check if it is out of battery. Please charge the car to get it normal.
2. Whether the bike is over load.
3. Charger is damaged will cause the charging improperly.
4. The battery is too old to carry enough power.

Charge abnormal:

1. Check if the battery is burned out. Normally, the charger will be warm when charging.
2. Check if battery is damaged, leaked or shape changed.
3. Check if the battery and the charger is connected well.
4. Check if the charger or the battery is damaged.
5. Check if the charging socket is broken.

Warning

- 1.The bike should be assembled by adults.
- 2.Age below 3 or over 8years old, those kids are not allowed to ride this bike.
- 3.The charging should be done by adults.
- 4.Before first ride, please charge 4~6hours unless the battery will be damaged permanently.
- 5.Please do not ride on the traffic road, and the bike should be rode under the adults supervision.
- 6.The maximum load of the bike is 20kg, and only allowed one kid to sit in.
- 7.When riding the bike, it's very dangerous if the kid stand up on the seat or take other dangerous action, please make sure your kid is on the seat until the bike stopped.
- 8.Please do not switch "forward" or "backward" frequently and suddenly.
- 9.To avoid crashing on expensive objects, please do not ride in a narrow space, this will also cause the damage to the bike.
- 10.If you are going to not ride the bike for a long time, please turn off and unplug the positive cable.
- 11.The battery of the bike is valid for three years.

Zhejiang JBL children's products Co.,Ltd

Manufacturer: Zhejiang JBL children's products Cov Ltd

Address: NO. 118, JINSHENG ROAD, XINCANG VILLIAGE,PINGHU CITX ZHEJIANG
PROVINCE,CHINA

INSTRUCTION INSTALLATION GUIDE

TYPE : S04

CHILDREN

SLIDING BIKE



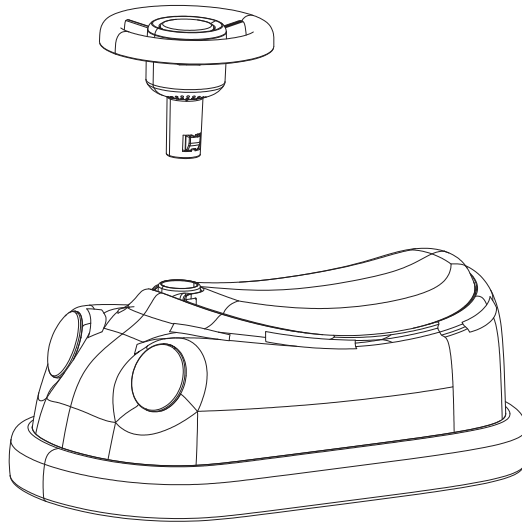
PICTURE IS FOR YOUR REFERENCE ONLY

SIZE: 56x30x45CM

Please read the manual carefully before use

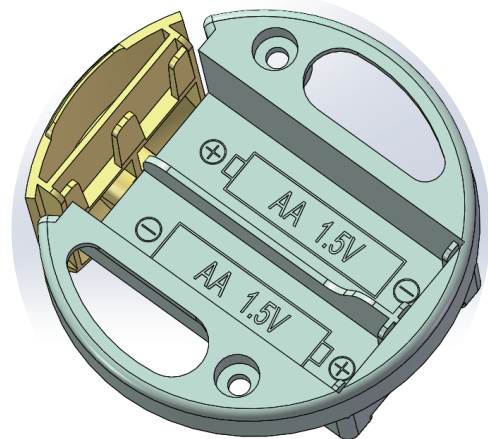
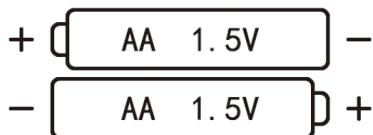
Installation

1. Install 2 batteries into the wheel and use screwdriver to fasten the box cover.
2. Insert the wheel into the car body as below picture.



Batteries replacement instruction

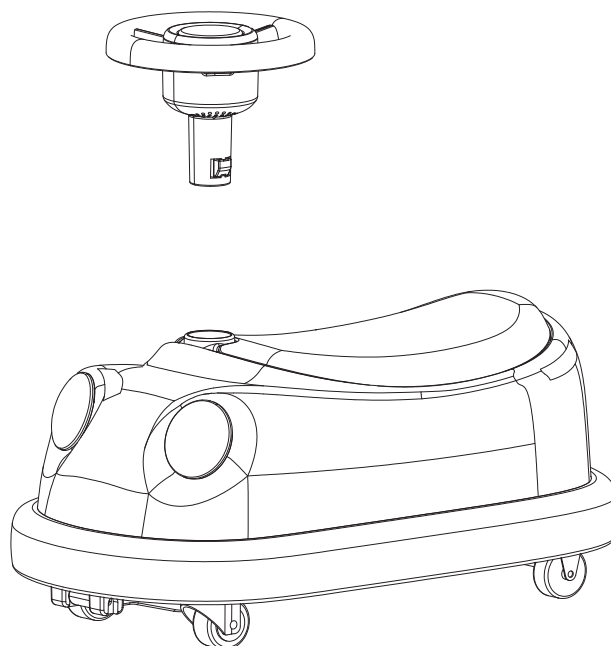
Use a screwdriver to take out the batteries and add 2 NO. 5 alkaline cell AA1.5V in the box and fix it. Make sure the positive and negative is correct.



Dry battery warning (optional)

1. Do not change the structure or circuit system of the product without authorization.
2. Do not use the toy for other purposes.
3. Place the battery with correct polarity.
4. Do not short circuit the batteries.
5. Non-rechargeable batteries are not allowed to be charged.
6. Chargeable batteries should be charged under adult supervision.
7. Old and new batteries, and different types of batteries are not allowed to be used together.
8. The exhausted batteries should be removed from the product and throw into the toxic wastes box to prevent kids from playing with them.
9. The batteries should be taken out of the bike when it is not used for a long time, and put the batteries in a safe placement and make sure kids cannot reach them.

Part name



Care and maintenance

- Every time before use, the family adults should check the main parts of the car, make sure the outfit and other parts is not damaged and the screws fasten well. Once found any unsafe please stop drive until all are fixed.
- Periodic check should be done regularly, and add lubricant to the iron parts of the car to avoid them rusted.
- The bike should be placed far away from the fire source and avoid long-time sunshine. The car should be placed upside up not upside down or slanted; during the wet weather, it should be placed inside or covered by waterproof hood.
- Do not put the car close to the stove or heater, high temperature make cause the plastic melted.
- Please use a clean soft cloth or non-waxy furniture finishing to polish the plastic parts of the car to make it as shining as the beginning. Do not use chemical solvent, soap or water to clean the car. Do not drive the car in the rain or snow.
- The illustrations included in this instruction are to describe the operation of the car and its construction; once the materials you received are not exactly same as the picture, please follow what you received as standard.
- In order to improve the quality of the product, we may upgrade the structure and the appearance partly, please understand.
- Please well keep this instruction as it includes important details of this car.

Warning

- It should be assembled and checked by the adults before use.
- Please notice the potential danger about the opponents of their sharp edges or corners.
- It is not suitable for kids age under 36 months.
- The car must be used under the adults supervision, it is not allowed to drive as a public transport.
- Water is not allowed to wash the car, please use a cloth to wipe the car.
- The maximum weight is 20KG, kids over 20KG are prohibited to drive it.
- The age allowed to use the car is from 37 to 72 months.
- Merchandiser, distributor or buyer is not allowed to refit the car on their own, unless they should take responsibility of the consequences.

Execution standard

GB 6675-2014 «TOY SAFETY PART I: Basic specification»

GB 6675.2-2014 «TOY SAFETY PART II: Mechanical and physical properties»

GB 6675.3-2014 «TOY SAFETY PART III: Flammability test»

GB 6675.4-2014 «TOY SAFETY PART IV: Migration of specific elements»

GB19865-2005 «ELECTRIC TOY SAFETY PART»

(once appropriate)

Product name	Children Sliding Bike
Applicable age	37-72 months
Load	20kg
Type	S04

Zhejiang JBL children's products Co.,Ltd

Manufacturer: Zhejiang JBL children's products Cov Ltd

Address: NO. 118, JINSHENG ROAD, XINCANG VILLIAGE, PINGHU CITX ZHEJIANG
PROVINCE, CHINA