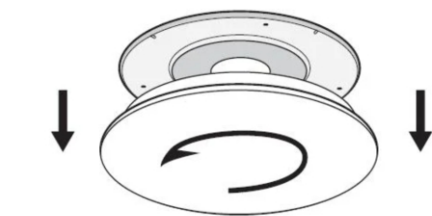
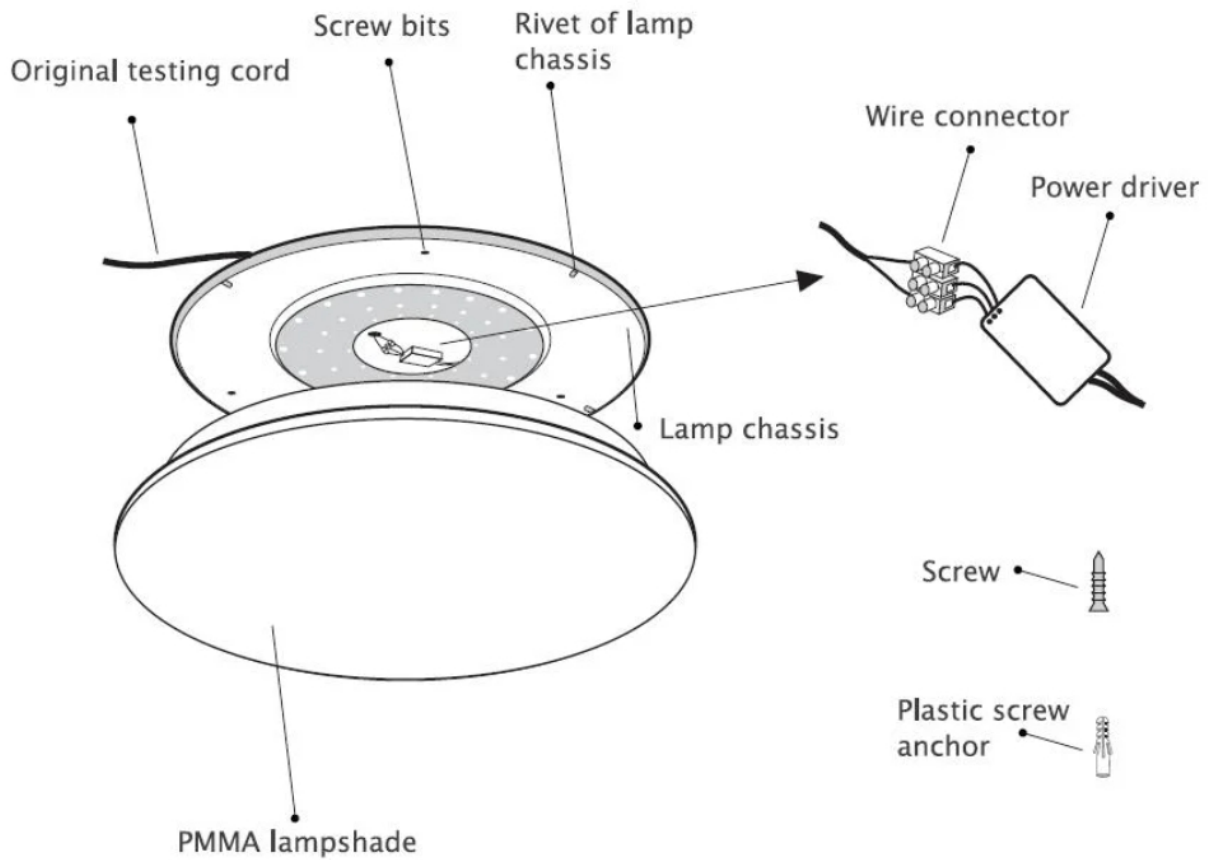
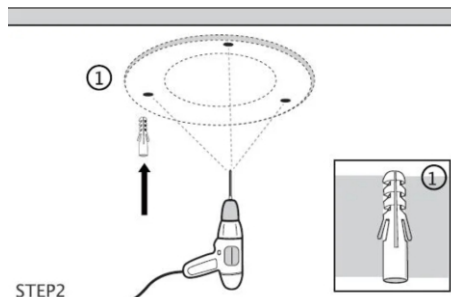


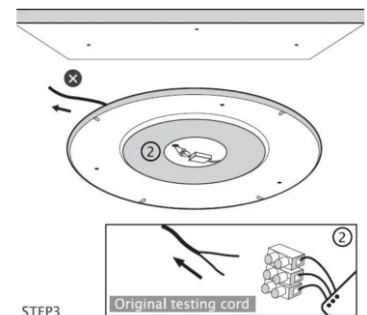
LED Ceiling Lights User Guide



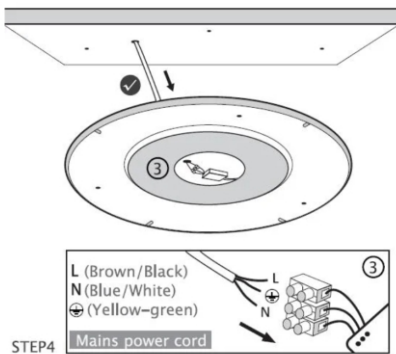
STEP1
STEP1
Open the lampshade by turning in counterclockwise.



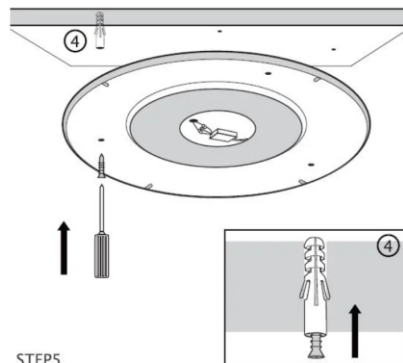
STEP2
STEP2
According to the screw bits on the lamp, drill holes in the ceiling. And then insert the plastic screw anchors into the drilling holes.



STEP3
STEP3
Remove the original testing cord of the lamp by loosening the screws in the wire connector of the lamp.



STEP4
STEP4
Pass your power cord through the hole of ceiling lamp chassis. Then connect the Neutral line, Live line and Ground wire of power cord into the corresponding wiring ports of connector.



STEP5
STEP5
Put screws into the screw bits of lamp chassis, and then fix the lamp chassis onto the ceiling.



STEP6
STEP6
Put on the lampshade to lamp chassis by turning in clockwise.

Note: For the item 1500016, its color temperature can be adjusted by turning on/off the power supply; turning the power off and on again, the color temperature will change. (Three color temperature changes in cycle.)