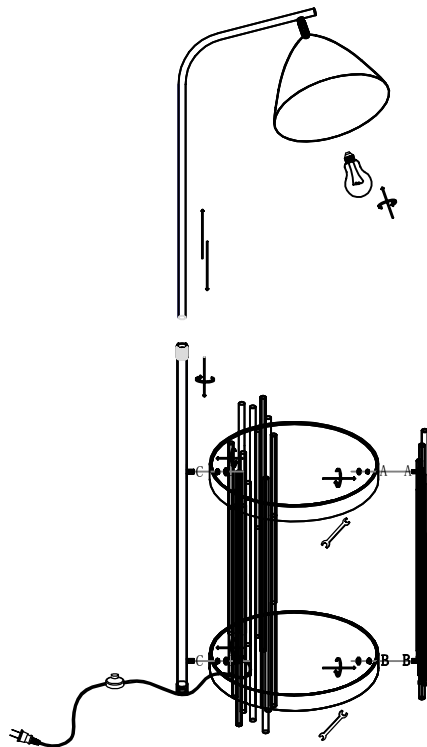


FOUR STAR

Please read this manual before installation. Please keep it for reference

HEM-L1003GB



RELATED TO INSTALLATION

- 1.To ensure the success of the installation,be sure to read theseinstructions carefully before beginning.
- 2.Before installations,prepare the required tools,such as Blade screwdriver,Adjustable wrench,step ladder,wire cutter.
- 3.All electrical connections must be in accordance with the National Electrical Code.Qualified licensed electricians are required to conductthe installation of electrical wiring.
- 4.Before starting the installation,disconnect the power to prevent electrical shock.

NOTE: Theimportant safeguards and installations appearing in this manual are not meant to cover all possible conditions and situations that may occur.if must be understood that common sense,caution,and care are factors which can not be built into any product.There factors must be applied by the person(S) caring for and operating the fixture.

CAUTION

1. Rated 220-230V/60HZ, bulb 40W-150W maximum.
2. Care should be taken to avoid damage to the surface of lighting an wite,wearing gloves are remmended when installing.
3. Keep lighting away from acom acid,alkali and other corrosive chemical or gas,clean the lighting with clean soft cloth only.
4. Installation must be carried out by qualified electrician only.
5. Disconnect the power before installing,cleaning and replacing lighting.
6. Never cover the lighting when power is connected.

Using the following tools:



gloves

INSTRUCTIONS

1.Take out all lamp parts.The picture below shows the exact items that you receive in this product.Please note that this picture may look differnt from the computer generate part table.The parts in the part table are not assembled but some parts in this part picture are assembled,so there may be fewer items in the picture than in the table.

2.Part Table

Please note:The parts in this table are completely unassembled,for illustrative purpose.in the actual product that you receive,some parts are assembled and attached together.

HEM-L1003GB

