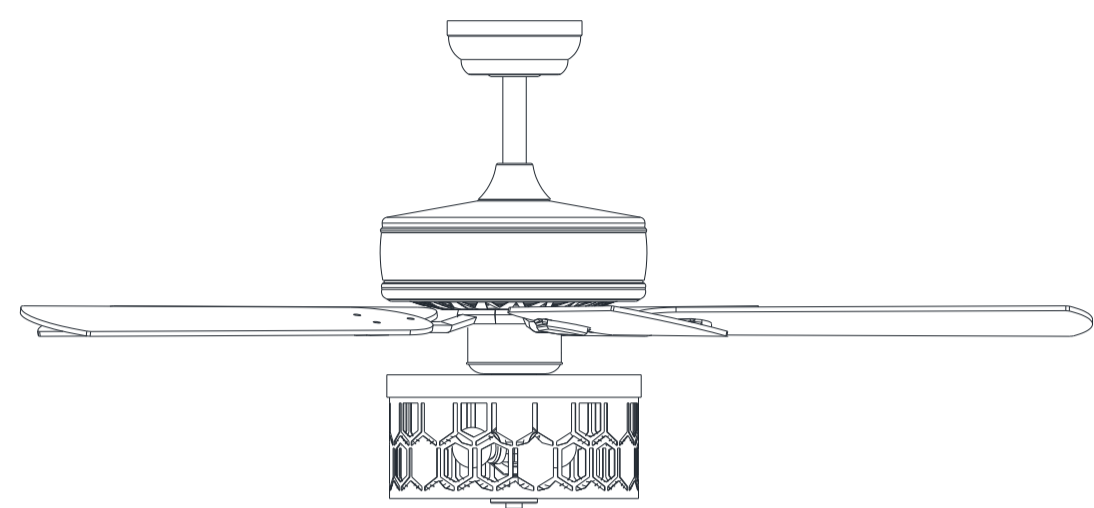


Creative design

Multi-Scenario hanging or Ceiling



DEROCATE CEILING FAN

User Manual

Pre-Installation

Fan-Motor assembly × 1PCS
 Arm(with pre-installed screws) × 5PCS
 Light kit fitter assembly × 1PCS
 Blade X 5PCS
 Slide - on mounting bracket (inside canopy) X 1PCS
 4.92 inch Ball/downrod assembly X 1PCS
 Canopy X 1PCS
 Coupling cover X 1PCS
 9.84 inch Ball/downrod assembly X 1PCS

Parts Kit

AA	BB	CC	DD	EE
Mounting screws × 4	Expansion bolts × 2	Plastic wire nut (not to scale) × 3	Blade attachment screw × 16	Paper Washers × 16
FF	GG	HH		
blade arm screw and lock washer × 1	Balance sheet × 2	Balance the clip × 1		

NOTE Hardware not shown to actual size.

Fastening the blade arms to the motor

Blade attachment screw × 16
 Paper Washers × 16
 Arm × 5
 Blade X 5PCS

Remove the pre installed screws
 Install the fan blade on the corresponding screw hole, and then install and fix it with the removed screws.

Fasten the arm to the fan-motor assembly by inserting the alignment post into the slot on the bottom of the motor and tightening the pre-installed armscrews.
 Repeat this step for the remaining blade assemblies.

Finish

Assembly-Attaching the Lights

Motor kit
 White
 Blue

Light kit
 White
 Blue

Insert the "white" line in the switching box of the motor into the "white" line of the light and tie insulated rubber tape.
 Insert the "blue" line in the switching box of the motor into the "blue" line of the light and tie insulated rubber tape.

Light kit screw × 3PCS (unscrew form motor)

Take the wire into the switching box of the motor.
 Align the opening of switching box of the light at switch locking position of the positive and negative rotation of the motors withwithing box.
 Place the cover screw in the screw of the switching box.

Installation of the hanging bracket

CONCRETE CEILING

For concrete ceiling, use the percussion bit with diameter 8mm to drill holes according to the length of expansion screws. Then use the attached expansion screws to fix the hanging bracket onto the ceiling (selection is made according to actual requirements of the customers).

STEP 1 A-CONCRETE CEILING

SWITCH OFF THE ELECTRICAL MAINS AT THE CIRCUIT BREAKER FUSE BOX.

- Use the Mounting Bracket as a guide, mark the spots where the 4 Expansion Bolts will be drilled.
- Remove the Mounting Bracket, drill 2 holes and insert 2 Expansion Bolts into the concrete ceiling, install the mounting bracket and secure with Flat Washers, Spring Washers and Nuts.

IMPORTANT : SCREWS & NUTS MUST BE TIGHTENED TILL SNUG

WOODEN CEILING

For wooden ceiling, use wood screw to drill on the wooden beam or the "junction box" to fix the hanging bracket(selection is made according to actual requirements of the customers)

STEP 2 A-WOODEN CEILING

SWITCH OFF THE ELECTRICAL MAINS AT THE CIRCUIT BREAKER FUSE BOX.

- Use the Mounting Bracket as a guide, mark the spots where the 4 Self Tapping Screws will be drilled.
- Remove the Mounting Bracket, drill 4 holes for 3MM diameter, install the mounting bracket onto wooden ceiling with the 4Self Tapping Screws &Washers

Install downrod assembly

- Carefully feed the motor wires up though the downrod
- Align the holes and replace hanger pin and locking pin.
- Tighten the two colar setscrews.
- Slip coupling cover,canopy coverand canopy onto the downrod.

Hang the fan

- Lift the fan motor assembly up to the mounting bracket and seat the hanger ball in the mounting bracket socket.Rotate the fan motor assembly until the check groove drops into the registration slot and seats firmly.The downrod should not rotate if the is done correctly

Install canopy

- Ensure the loosened screws is inserted into the key holes on the mounting bracket.
- Carefully raise the canopy up to the mounting bracket.Rotate the canopy clockwise.
- Secure the canopy by replacing the screws previously removed and tightening the screw previously loosened
- Place the canopy cover (if applicable)and rotate the canopy cover clockwise until it locks into position.

Making the electrical connections

WARNING Each wire not supplied with this fan is designed to accept up to one 12-gauge house wire and two wires from the fan. If you have larger than 12-gauge house wiring or more than one house wire to connect to the fan wiring, consult an electrician for the proper size wire nuts to use.

IMPORTANT: Use the plastic wire connectors(BB) supplied with your fan. Secure the connectors with electrical tape and ensure there are no loose strands or connections.

WARNING: Remove the rubber motor stops on the bottom of fan before installing the blades or testing the motor.

IMPORTANT: Use the plastic wire connectors(BB) supplied with your fan. Secure the connectors with electrical tape and ensure there are no loose strands or connections.

From CEILING FAN: BLACK, BLUE, WHITE
 From controller: BLACK, BLUE, WHITE
 remote control(transmitter) X 1PCS (R-T)
 remote control(receiver) X 1PCS (R-R)
 Black FOR AC IN L
 White FOR AC IN N

SWITCH OFF THE ELECTRICAL MAINS AT THE CIRCUIT BREAKER FUSE BOX

- Connect wires from receiver to terminal block properly as instruction diagram

Assembly - Hanging the Fan(continued)

Preparing for mounting

Install remote control

Preparing for mounting

- Carefully push the canopy to the bottom of the mounting bracket, make two sliding holes aligned to the two prominent screws on the mounting bracket, and then turn clockwise until tight.
- Push the canopy ring to the bottom of the canopy, slide the inner holes aligned to the two prominent screws on the mounting bracket again, and turn the canopy ring clockwise until tight.
- Remove the mounting bracket from the canopy by loosening the two canopy screws located in the L shaped slots
- Remove and save the two canopy screws in the round holes. This will enable you to remove the mounting bracket

Use of remote control

Med Level
 Low Level
 Fan On/Off
 Auto off after 1hr~8hr

Med
 LOW
 LIGHT ON/OFF
 STOP
 HI
 LIGHT ON/OFF

Hi Level
 LIGHT ON/OFF

2H
 1H
 4H
 8H

LOW FanSpeed Low Level
 MED FanSpeed Middle Level
 HI FanSpeed High level
 STOP FanSTOP

LIGHT ON/OFF LIGHT NO/OFF

1H Auto off after 1hr
 2H Auto off after 2hr
 4H Auto off after 4hr
 8H Auto off after 8hr