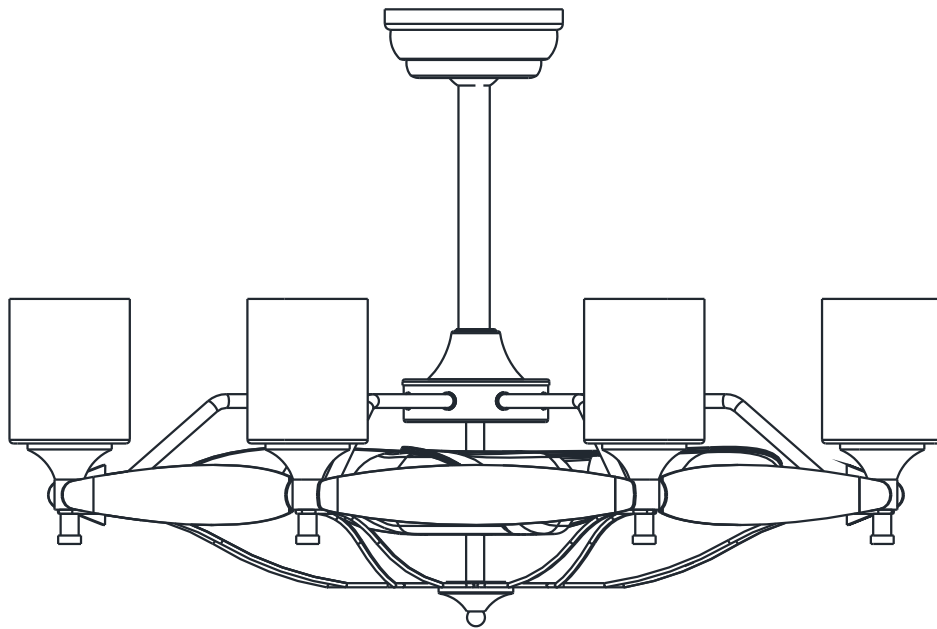

USE AND CARE GUIDE

33-INCH DECORATIVE CEILING FAN



EL297346AAA

Safety Information

1. To reduce the risk of electric shock, the electricity has been turned off at the circuit breaker or fuse box before begin.
2. All wiring must be in accordance with the National Electrical Code NASI/NEPA 70-1999 and local electrical codes. Electrical installation should be performed by a qualified licensed electrician.
3. The outlet box and support structure must be securely mounted and capable of reliably supporting 35lbs. (15.9kg). Use only UL listed outlet boxes marked "Acceptable for Fan Support of 35lbs(15.9kg) or less."
4. The fan must be mounted with a minimum of 7 ft. (2m) clearance from the trailing edge of the blades to the floor.
5. Do not operate the reversing switch while the fan blades are in motion. You must turn the fan off and stop the blades before you reverse the blade direction.
6. Do not place objects in the path of the blades.
7. To avoid personal injury or damage to the fan and other items, please be careful when working around or cleaning the fan.
8. Electrical diagrams are for reference only. Light kits that are not packed with the fan must be UL -listed and marked suitable for use with the model fan you are installing. Switches must be UL General Use Switches. Refer to the instructions packaged with the light kits and switches for proper assembly.
9. After making electrical connections , spliced conductors should be turned upward and pushed carefully up into the outlet box. The wires should be spread apart with the grounded conductor and the equipment-grounding conductor on one side of the outlet box.
10. All set screws must be checked and retightened where necessary before installation.

WARNING

To reduce the risk of personal injury, do not bend the blade brackets (also referred to as flanges) during assembly or after installation. Do not insert objects in the path of the blades .

Remove the rubber motor stops on the bottom of the fan before installing the blades or testing the motor.

To reduce the risk of fire or electric shock, do not use this fan with any solid-state speed control device.

To avoid possible electric shock, turn the electricity off at the main fuse box before wiring. If you feel you do not have enough electrical wiring knowledge or experience , contact a licensed electrician.

Electrical diagrams are for reference only. Optional use of any light kit shall be UL-listed and marked suitable for use with this fan.

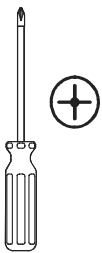
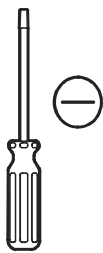
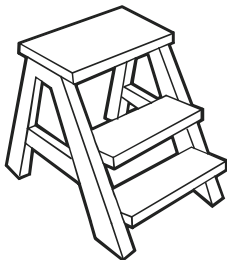
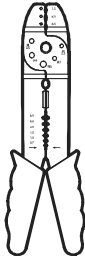
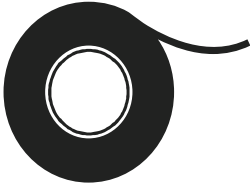
To reduce the risk of fire, electric shock, or personal injury, mount to outlet box marked "Acceptable for fan support of 35 lbs. (15.9 kg) or less" and use the screws provided with the outlet box.

The above data are for reference only, Actually the motor speed of each ceiling fan is a little different. Any products, Subject to actual products as standard.

NOTE	These are approximate measures.They do not include the amps and wattage used by the light kit.
-------------	--

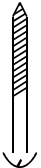


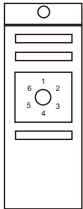
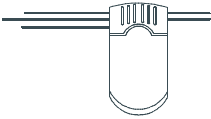

Specifications & measurements shown are subject to± 5% variations.

TOOLS REQUIRED

				
Phillips screwdriver	Flat blade screwdriver	Step ladder	Wire stripper	Electrical tape

HARDWARE INCLUDED

components table

 AA Mounting screws ×4	 BB Expansion bolts ×4	 CC Plastic wire nut (not to scale) ×3		
 FF blade arm screw and lock washer ×1			Remote control (Transmitter)	Remote control (receiver)

NOTE	Hardware not shown to actual size.
-------------	------------------------------------

Pre-Installation(continued)

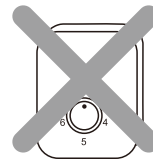
PACKAGE CONTENTS

IMPORTANT : PLEASE READ BEFORE INSTALLATION.

1. Do not connect this remote control ceiling fan to regulator or dimmer switch.
2. Installation must be carried out by a qualified wiring installer.
3. Turn off the electrical mains at the circuit breaker fuse box.
4. Do not use power supply other than 110-120V~ 60Hz.
5. This appliance must be earthed.
6. When mounting the fan, ensure that the safety wire is loop across the ceiling mounting hook.
7. The ceiling mounting hook must be able to withhold a min. weight of 60kg.
8. The ceiling fan must be mounted at a min. height of 7.5 feet / 2.3m of clearance from the floor.
9. Do not place any objects in the path of the blades.
10. When all electrical connections are done, store all wires neatly.
11. Make sure that all screws and connection are tightly screwed and secured.
12. Children should be supervised to ensure that they do not play with the appliance.
13. Ensure that the fan is switched off from the supply mains before removing the guard.

WARNING

This product is designed to use only those parts supplied with this product and/or accessories designated specifically for use with this product. Using parts and/or accessories not designated for use with this product could result in personal injury or property damage.



Regulator

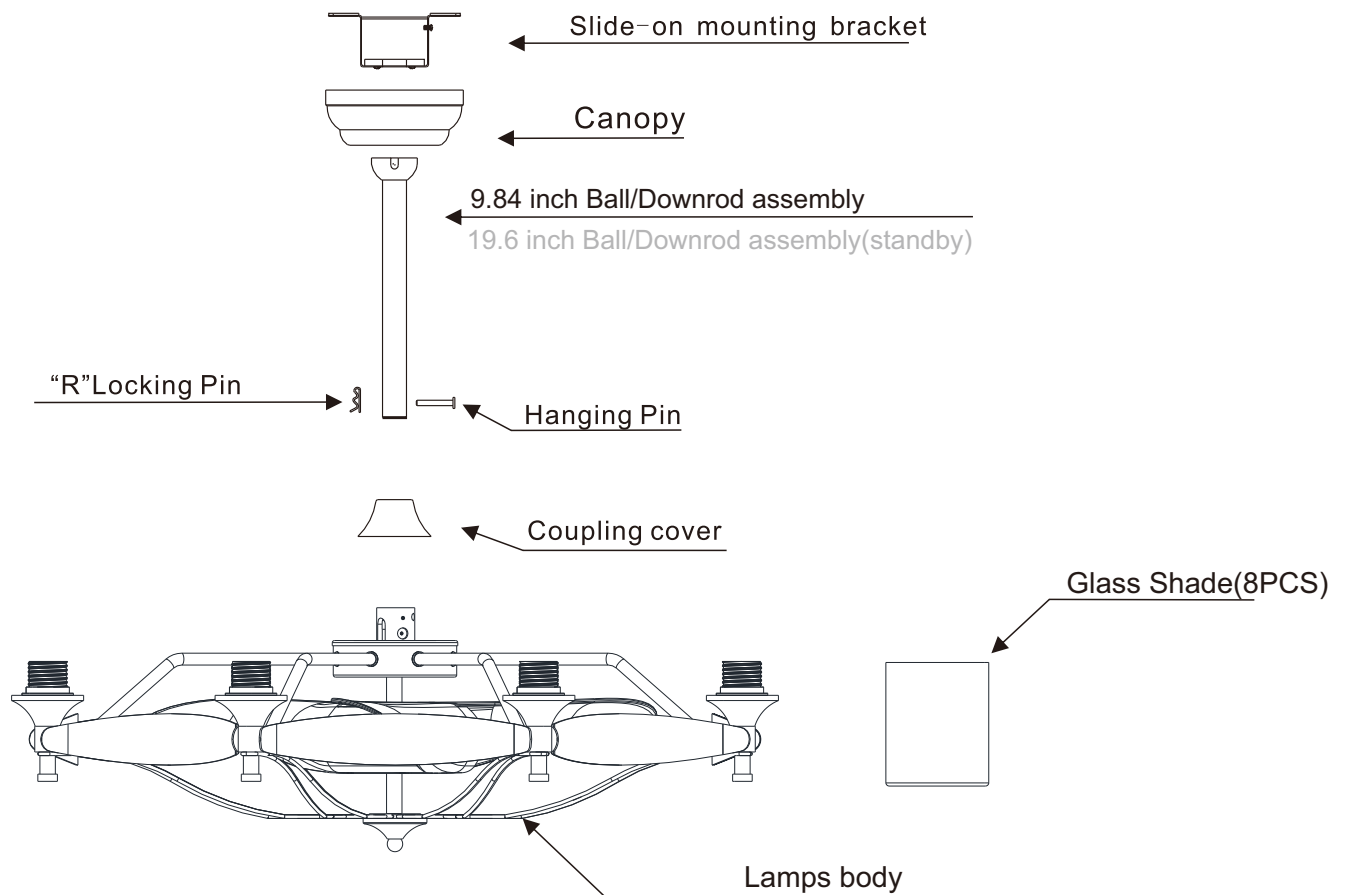


Dimmer switch

NOTE :

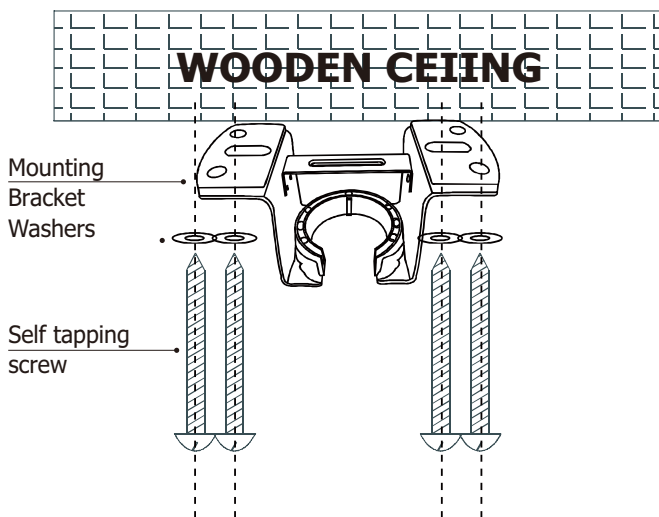
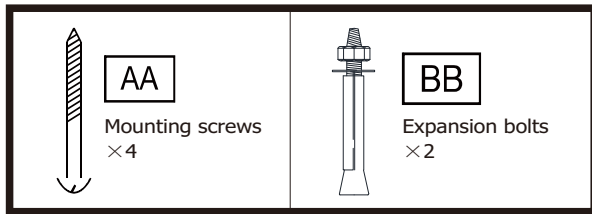
The illustrations in this manual are for explanation purposes only and may differ from the actual unit. It is subjected to change without prior notice for further improvements.

PARTS & ACCESSORIES



Pls check whether above accessories are completed or not? Yes, and install.

Installation of the hanging bracket (suspension part)(page-1)



For wooden ceiling, use wood screw to drill on the wooden beam or the "junction box" to fix the hanging bracket(selection is made according to actual requirements of the customers)

STEP 1 A-WOODEN CEILING

SWITCH OFF THE ELECTRICAL MAINS AT THE CIRCUIT BREAKER FUSE BOX.

- 1) Use the Mounting Bracket (A) as a guide, mark the spots where the 4 Self Tapping Screws (B) will be drilled.
- 2) Remove the Mounting Bracket (A), drill 4 holes for 3MM diameter, install the mounting bracket onto wooden ceiling with the 4 Self Tapping Screws (B)&Washers(C)

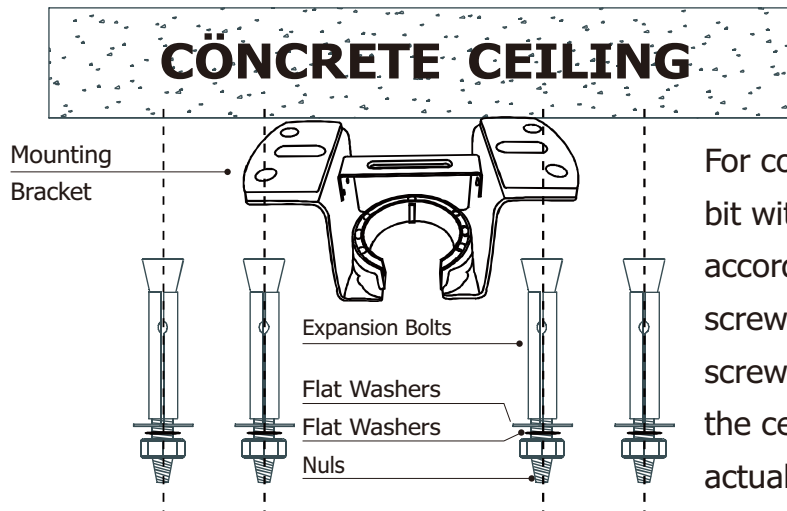


IMPORTANT : SCREWS MUST BE TIGHTENED TILL SNUG

NOTE

According to the ceiling of different materials, use different screws to fix the hanging bracket. Don't fix the hanging bracket on the wood ceiling less than 12MM to prevent danger caused by loosening of screws. After the hanging bracket is completed, ensure that it can withstand the tension test of more than 68KG for safety.

Installation of the hanging bracket (suspension part)(page-2)



For concrete ceiling, use the percussion bit with diameter 8mm to drill holes according to the length of expansion screws. Then use the attached expansion screws to fix the hanging bracket onto the ceiling (selection is made according to actual requirements of the customers).

STEP 2 A-CONCRETE CEILING

SWITCH OFF THE ELECTRICAL MAINS AT THE CIRCUIT BREAKER FUSE BOX.

- 1)Use the Mounting Bracket (A) as a guide, mark the spots where the 4 Expansion Bolts (B)will be drilled.
- 2)Remove the Mounting Bracket (A), drill 4 holes and insert 4 Expansion Bolts (B)into the concrete ceiling, install the mounting bracket and secure with Flat Washers (C), Spring Washers (D) and Nuts (E).



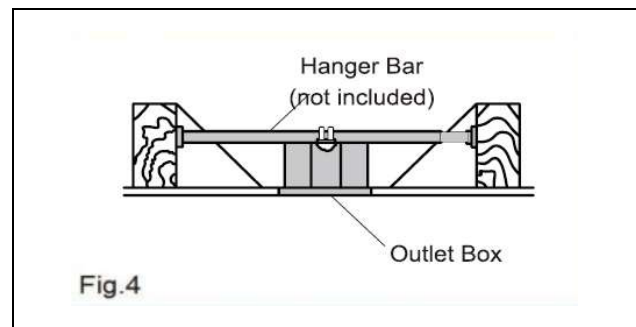
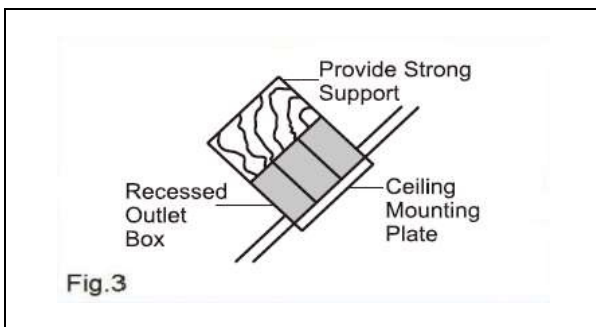
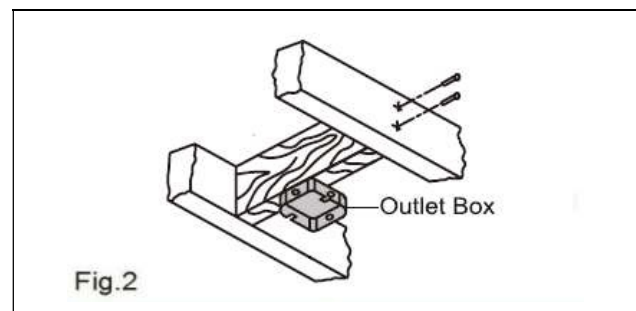
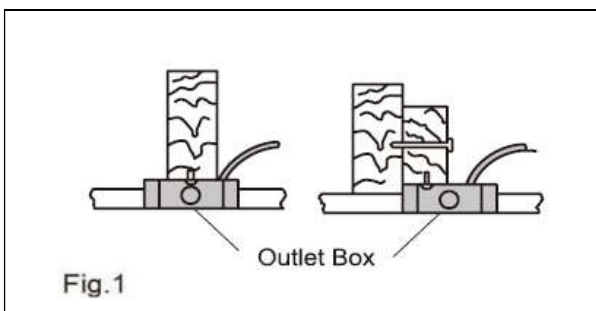
IMPORTANT : SCREWS & NUTS MUST BE TIGHTENED TILL SNUG

Electrical Outlet Box



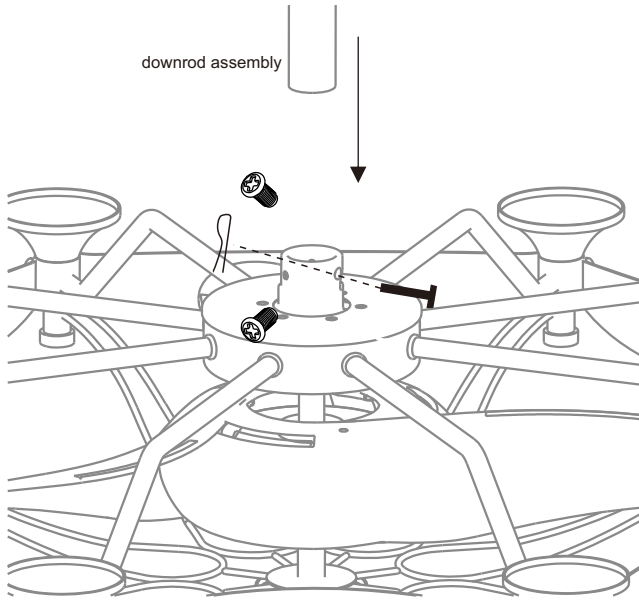
WARNING : Contact a qualified electrician to replace the outlet box if it is not suitable for ceiling cans

- If there is an existing outlet box, ensure it is clearly marked "Suitable for Fan Support". If not, it must be replaced with an approved one.
- Secure the outlet box (or make sure the existing box is secured) directly to the building structure. Use appropriate fasteners and building materials. Wood joist and outlet box must be able to support a minimum of 50 pounds.
- Fig. 1, 2 and 3 are examples of different ways to mount the outlet box in different situations. A hanger support bar may be required.



Assembly - Hanging the Fan

Install downrod assembly



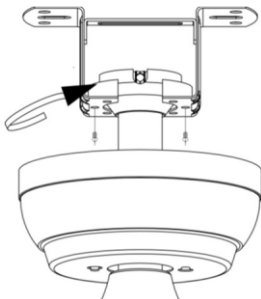
- Carefully feed the motor wires up through the downrod
- Align the holes and replace hanger pin and locking pin.
- Tighten the two collar setscrews.
- Slip coupling cover, canopy cover and canopy onto the downrod.

Hang the fan



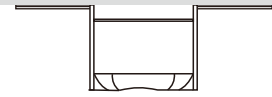
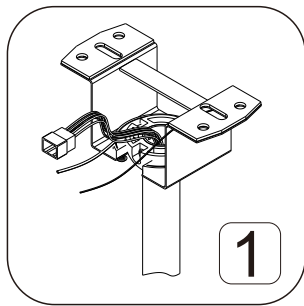
- Lift the fan motor assembly up to the mounting bracket and seat the hanger ball in the mounting bracket socket. Rotate the fan motor assembly until the check groove drops into the registration slot and seats firmly. The downrod should not rotate if this is done correctly

Install canopy



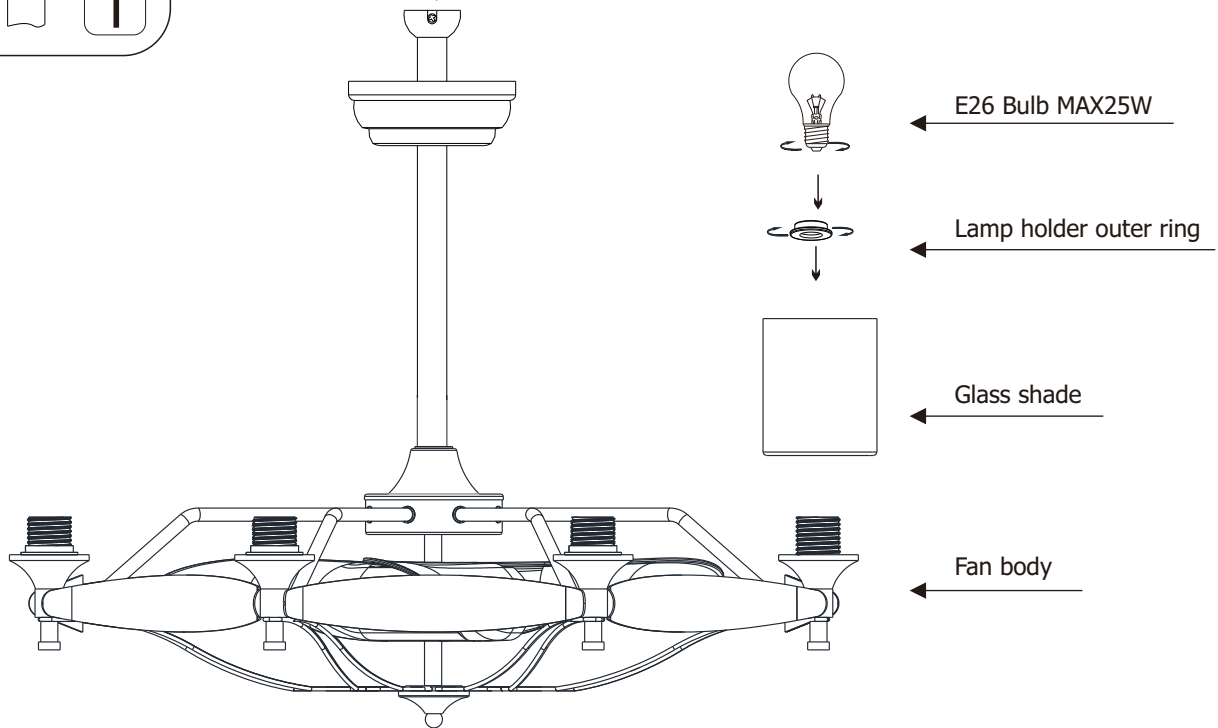
- Ensure the loosened screws are inserted into the key holes on the mounting bracket.
- Carefully raise the canopy up to the mounting bracket. Rotate the canopy clockwise.
- Secure the canopy by replacing the screws previously removed and tightening the screw previously loosened
- Place the canopy cover (if applicable) and rotate the canopy cover clockwise until it locks into position.

Installation



* Selection of hanger pipes

1. Use hanger pipes at an appropriate height based on the height of the ceiling.
 2. This ceiling fan is provided with the hanger pipe at the length of 10 inches and 20 inches.
- * The bottom of the fan lamp must be ensure 2.3 meters



- Hang the fan on the hanger.
- Put the crystal lamp cover inside the lamp holder and lock the crystal lamp cover with the outer ring of the lamp holder.
- Screw the bulb into the lamp holder(E26*8PCS*MAX25W)

Making the electrical connections

WARNING: Each wire not supplied with this fan is designed to accept up to one 12-gauge house wire and two wires from the fan. If you have larger than 12-gauge house wiring or more than one house wire to connect to the fan wiring, consult an electrician for the proper size wire nuts to use.

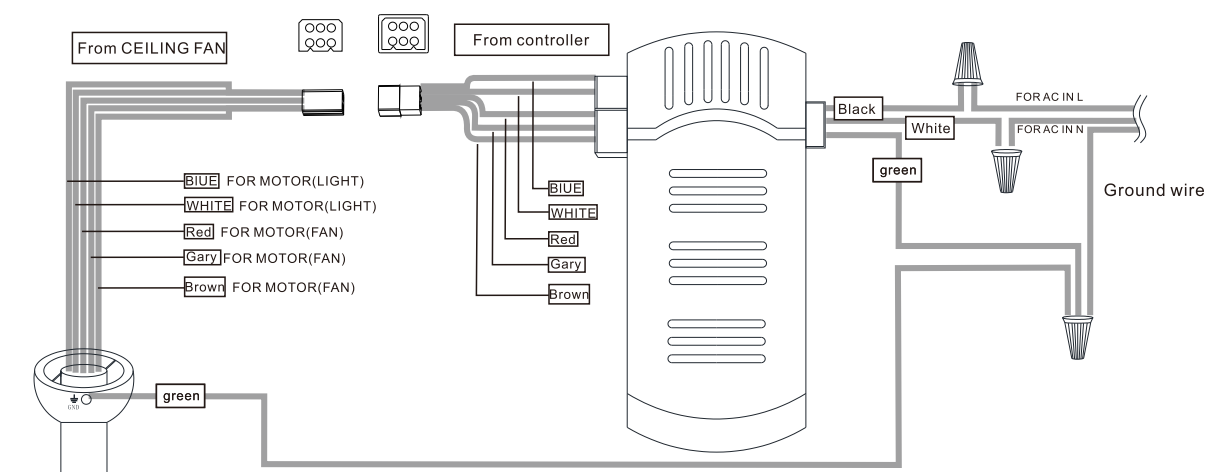
IMPORTANT: Use the plastic wire connectors (BB) supplied with your fan. Secure the connectors with electrical tape and ensure there are no loose strands or connections.

WARNING: Remove the rubber motor stops on the bottom of fan before installing the blades or testing the motor.

WARNING: Each wire not supplied with this fan is designed to accept up to one 12-gauge house wire and two wires from the fan. If you have larger than 12-gauge house wiring or more than one house wire to connect to the fan wiring, consult an electrician for the proper size wire nuts to use.

WARNING: Remove the rubber motor stops on the bottom of the fan before installing the blades or testing the motor.

IMPORTANT: Use the plastic wire connectors (BB) supplied with your fan. Secure the connectors with electrical tape and ensure there are no loose strands or connections.

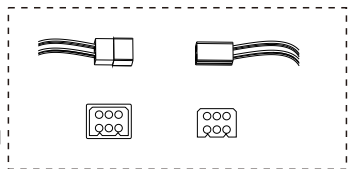


1. Raise the fan and place the hanger ball onto mounting bracket.
2. Rotate the fan until the notch on hanger ball snapped into the slot on mounting bracket and sits firmly.

NOTE: THE DOWNROD AND HANGER BALL SHOULD NOT ROTATE IF THIS STEP IS DONE CORRECTLY.

3. Loosen the safety wire clamp.
4. Route the safety wire through the side fan hole on mounting bracket, and retighten the safety wire with safety wire clamp.

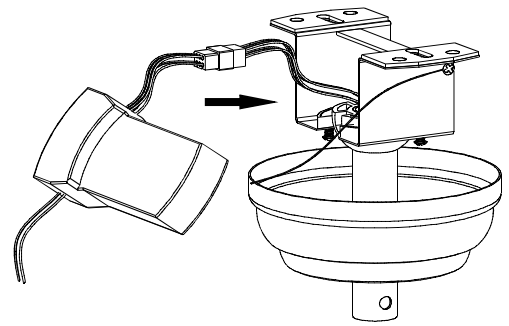
5. Connect the wire connector plugs correctly. The wire connector plugs design with fool proof device, please don't force to plug. Otherwise it may affect the normal use of the light fan or burn the fan motor.



Assembly - Hanging the Fan (continued)

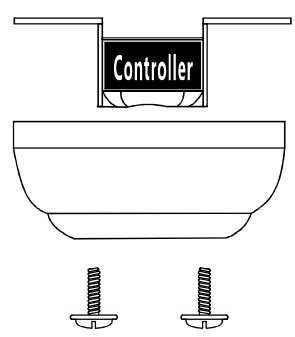
Preparing for mounting

Install remote control



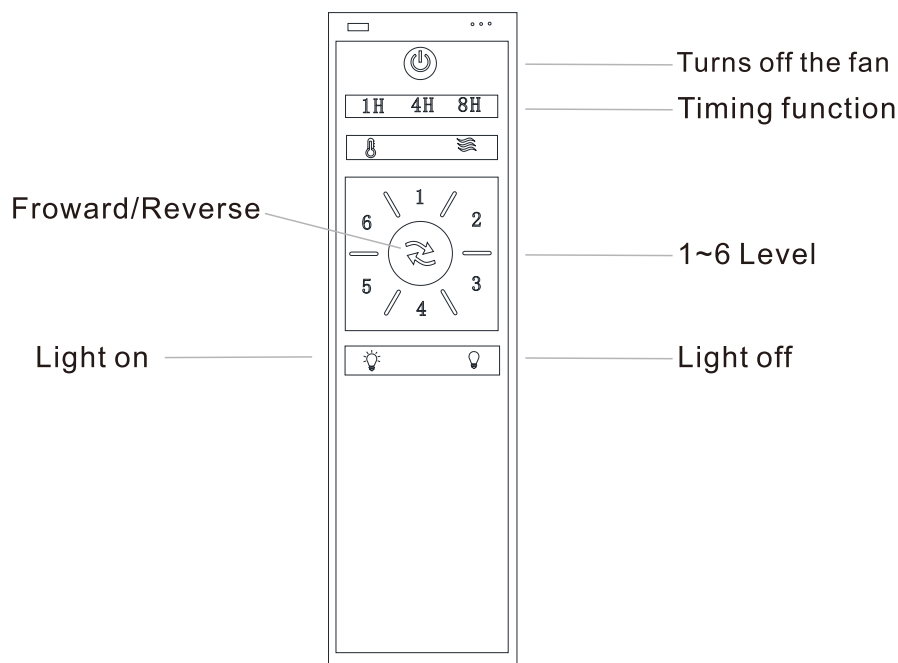
1. Carefully push the canopy to the bottom of the mounting bracket, make two sliding holes aligned to the two prominent screws on the mounting bracket, and then turn clockwise until tight.
2. Push the canopy ring to the bottom of the canopy, slide the inner holes aligned to the two prominent screws on the mounting bracket again, and turn the canopy ring clockwise until tight.


Preparing for mounting





- 1: Remove the mounting bracket from the canopy by loosening the two canopy screws located in the L shaped slots
- 2: Remove and save the two canopy screws in the round holes. This will enable you to remove the mounting bracket

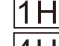


Use of remote control





-  FanSpeed 1~6control (1~low speed, 6-high speed)


-  Turns off the fan

-  Timing the fan

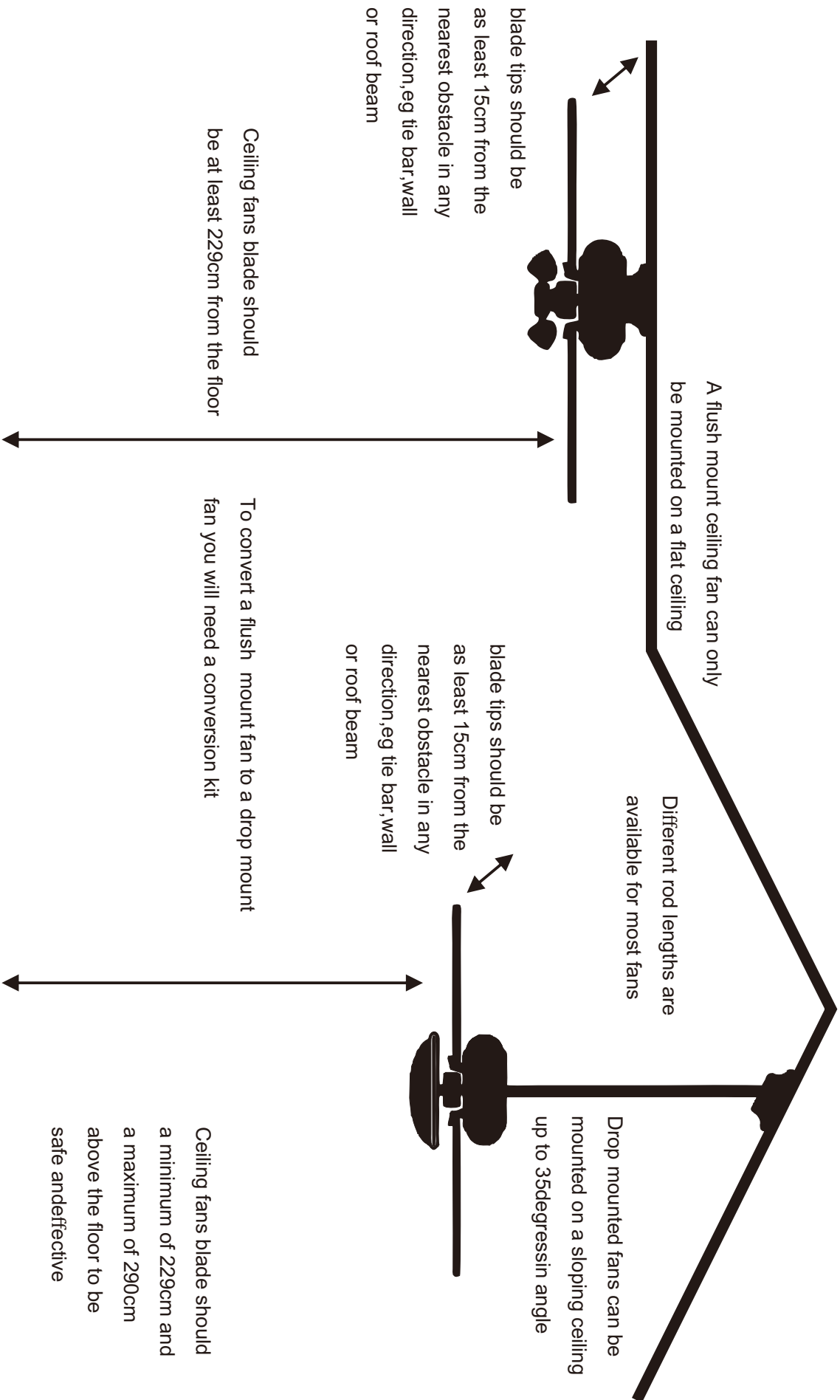
-  1H Auto off after 1hr
-  4H Auto off after 4hr
-  8H Auto off after 8hr

-  Cancel timing setup

-  Foward or reverse operation: Press the button for 2sec until there is a "BEEP" sound to chang fan rotating direction Fanchange dirsrction. (capprox.25sec)

1. Learning code matching mode is used between emitter and receiver. Turn "ON" the supply power within 30 seconds and press the emitter's  button for 5seconds, it can load normally after hearing a long sound "bee", which means learning successfully and it can works normally. (PS: Learning mode is not accepted after turn "ON" the supply power for 30 seconds)
2. When the emitter cannot control the receiver, please check the battery switch touching normally or not, correction of the positive and negative, full or empty of the power.
3. When the emitter cannot control the receiver, please check is there any existence of similar remote controlled products nearby, then check whether they works, because remote controlled product with the same frequency will disturb each other.
4. Low voltage of battery will affect the sensitivity of the emitter and the signal reception accordingly (the indicated light will flash out its warning when the battery get low voltage), must replace if the battery is getting low voltage.
5. Please take out the battery from the emitter when leaving unused for long time.
6. Supporting 200W lighting power at maximum.
PS: please connect the ground wire correctly, otherwise it may cause the light micro-light or flash
7. When installing the fan, the fan ceiling cover don't press the antenna (or other wire), it is easy to breakdown the wire and short-circuited.

Fastening the blade arms to the motor



troubleshooting

Problem	Solution
The fan will not start	<ul style="list-style-type: none"> ▪ Check the main and branch circuit fuses or breakers. ▪ Check the line wire connections to the fan and switch wire connections in the switch housing. <hr/> <ul style="list-style-type: none"> ▪ Ensure all motor housing screws are snug. ▪ Ensure the screws that attach the fan blade bracket to the motor hub are tight. ▪ Ensure the wire nut connections are not rattling against each other or the interior wall of the switch housing. ▪ Allow a 24-hour "breaking in" period. Most noises associated with a new fan disappear during this time. ▪ If you are using the Ceiling Fan light kit, ensure the screws securing the glassware are tight. <p>Check that the light bulbs are also secure.</p> <ul style="list-style-type: none"> ▪ Ensure the canopy is a short distance from the ceiling. It should not touch the ceiling. ▪ Ensure your outlet box is secure and rubber isolator pads were used between the mounting plate and outlet box.
The fan wobbles.	<ul style="list-style-type: none"> ▪ Check that all blades and blade arm screws are secure. ▪ Most fan wobble problems are caused when blade levels are unequal. ▪ Check this level by selecting a point on the ceiling above the tip of the blades. ▪ Measure from a point on the center of each blade to the point on the ceiling. Measure this distance.▪ Rotate the fan until the next blade is positioned for measurement. ▪ Repeat for each blade. Any measurement deviation should be within 1/8 in. ▪ Run the fan for ten minutes. If the fan continues to wobble please contact Customer Service.

USE AND CARE GUIDE

EL297346AAA